



US00D401956S

# United States Patent [19] Yamamoto

[11] Patent Number: **Des. 401,956**

[45] Date of Patent: **\*\*Dec. 1, 1998**

[54] **EYECUP**

[75] Inventor: **Tamenobu Yamamoto**, Higashi-Osaka, Japan

[73] Assignee: **Yamamoto Kogaku Co., Ltd.**, Higashi-Osaka, Japan

[\*\*] Term: **14 Years**

[21] Appl. No.: **65,186**

[22] Filed: **Jan. 23, 1997**

[51] **LOC (6) Cl.** ..... **16-06**

[52] **U.S. Cl.** ..... **D16/303; D16/101**

[58] **Field of Search** ..... D16/300, 101, D16/311-315, 330; D29/109, 110; D25/110.2; 2/428, 430, 432, 447, 449; 351/41, 44, 153, 158

[56] **References Cited**

**U.S. PATENT DOCUMENTS**

D. 237,757	11/1975	Turner	.....	D16/300
D. 243,482	3/1977	Fireman	.....	D16/303
D. 246,529	11/1977	Thomas	.....	D16/311
D. 268,301	3/1983	Haslbeck	.....	D16/303
D. 370,927	6/1996	Yashiro	.....	D16/311
D. 377,038	12/1996	Yashiro	.....	D16/311
D. 377,039	12/1996	Minamidana	.....	D16/311
1,727,455	9/1929	Tully	.....	351/44
4,286,340	9/1981	Lathrop	.....	2/430
4,468,819	9/1984	Ohno	.....	2/430
5,313,671	5/1994	Flory	.....	2/428
5,408,702	4/1995	Chiang	.....	2/428

5,459,882 10/1995 Yamamoto .

5,515,551 5/1996 Yashiro .

5,596,771 1/1997 Hsu et al. .... 2/428

*Primary Examiner*—Raphael Barkai  
*Attorney, Agent, or Firm*—Oblon, Spivak, McClelland, Maier & Neustadt, P.C.

[57] **CLAIM**

The ornamental design for the eyecup, as shown and described.

**DESCRIPTION**

FIG. 1 is a front elevational view of an eyecup showing may new design;

FIG. 2 is a left side elevational view thereof;

FIG. 3 is a top plan view thereof, the bottom view being a mirror image of the top plan view shown;

FIG. 4 is a right side elevational view thereof;

FIG. 5 is a right side elevational view thereof;

FIG. 6 is a sectional view thereof taken along line 6—6 of FIG. 1;

FIG. 7 is a sectional view thereof taken along line 7-7 of FIG. 1;

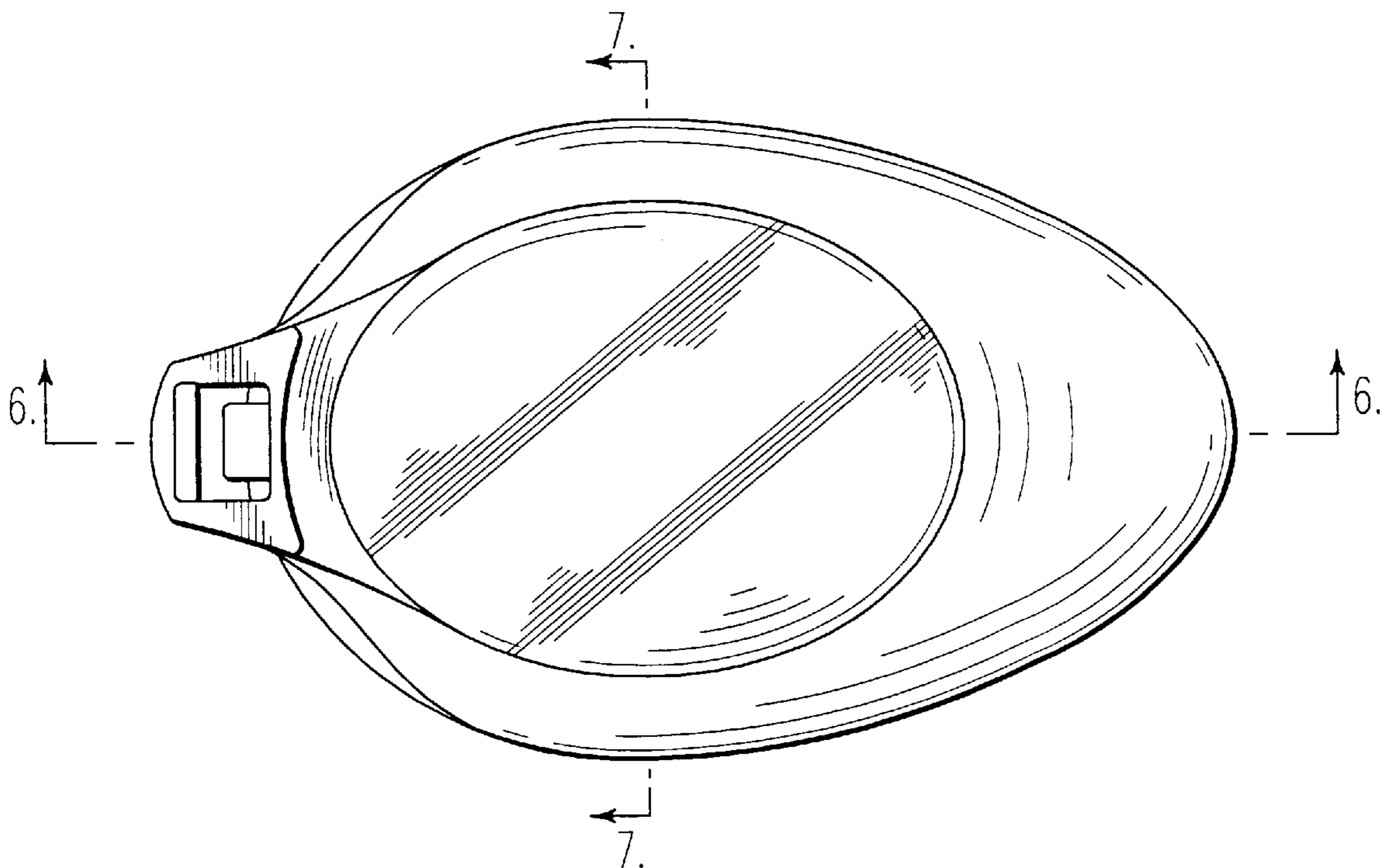
FIG. 8 is a perspective view thereof;

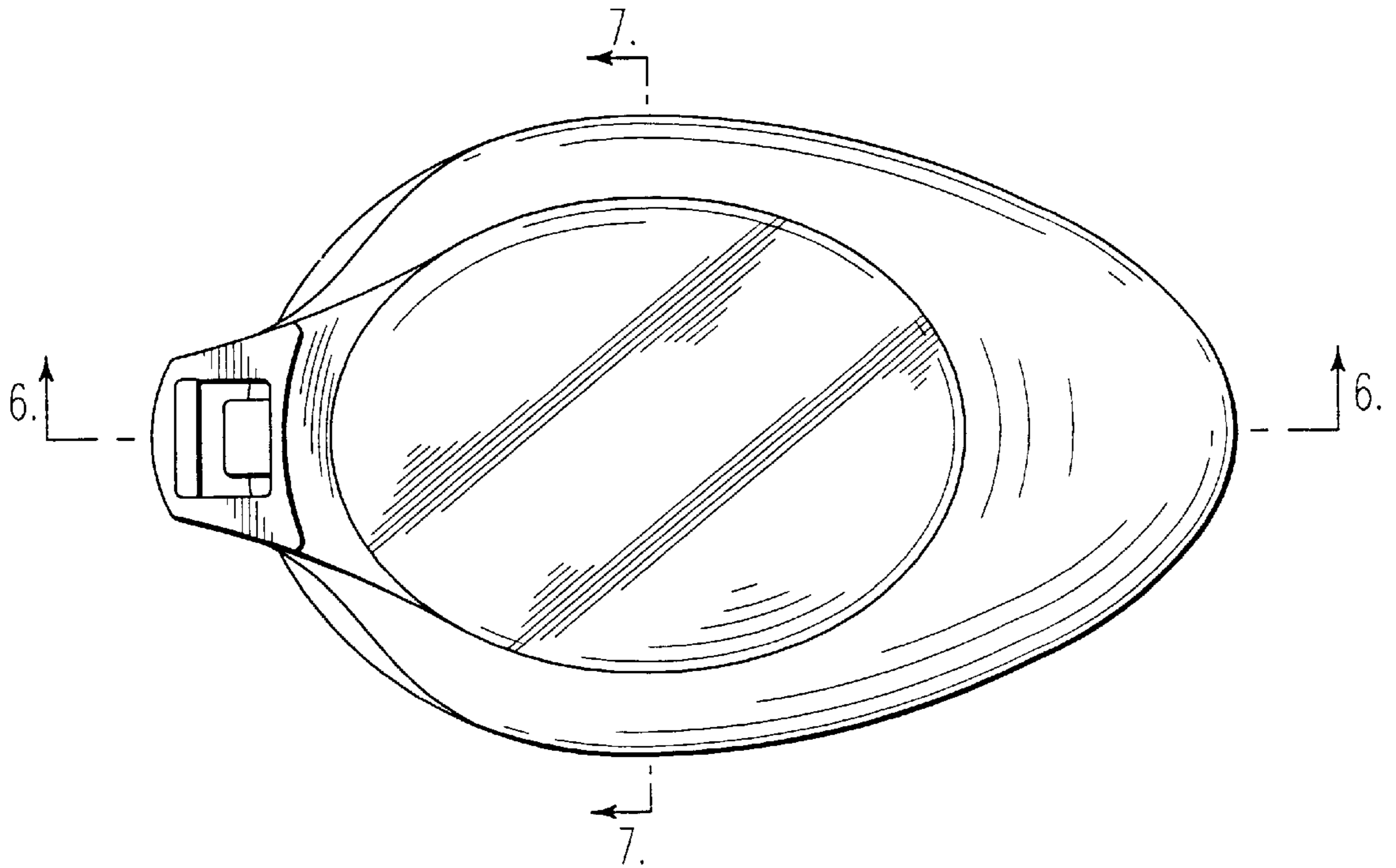
FIG. 9 is a reference perspective view of the eyecup in use; and,

FIG. 10 is a reference perspective view of the eyecup fitted with a rubber member.

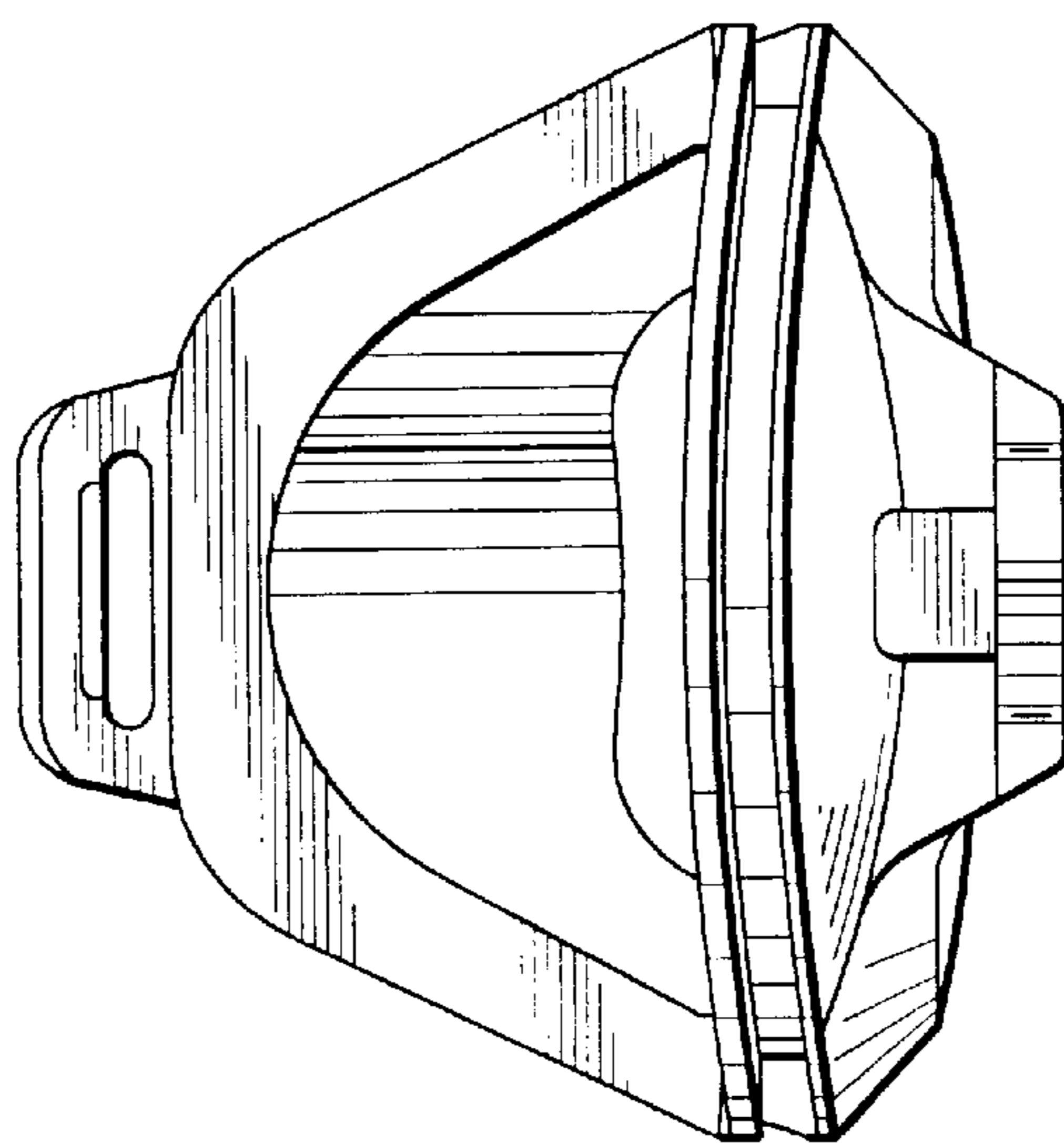
The broken lines showing of the strap and rubber members in FIGS. 9 and 10 are for illustrative purposes only and form no part of the claimed design.

**1 Claim, 6 Drawing Sheets**

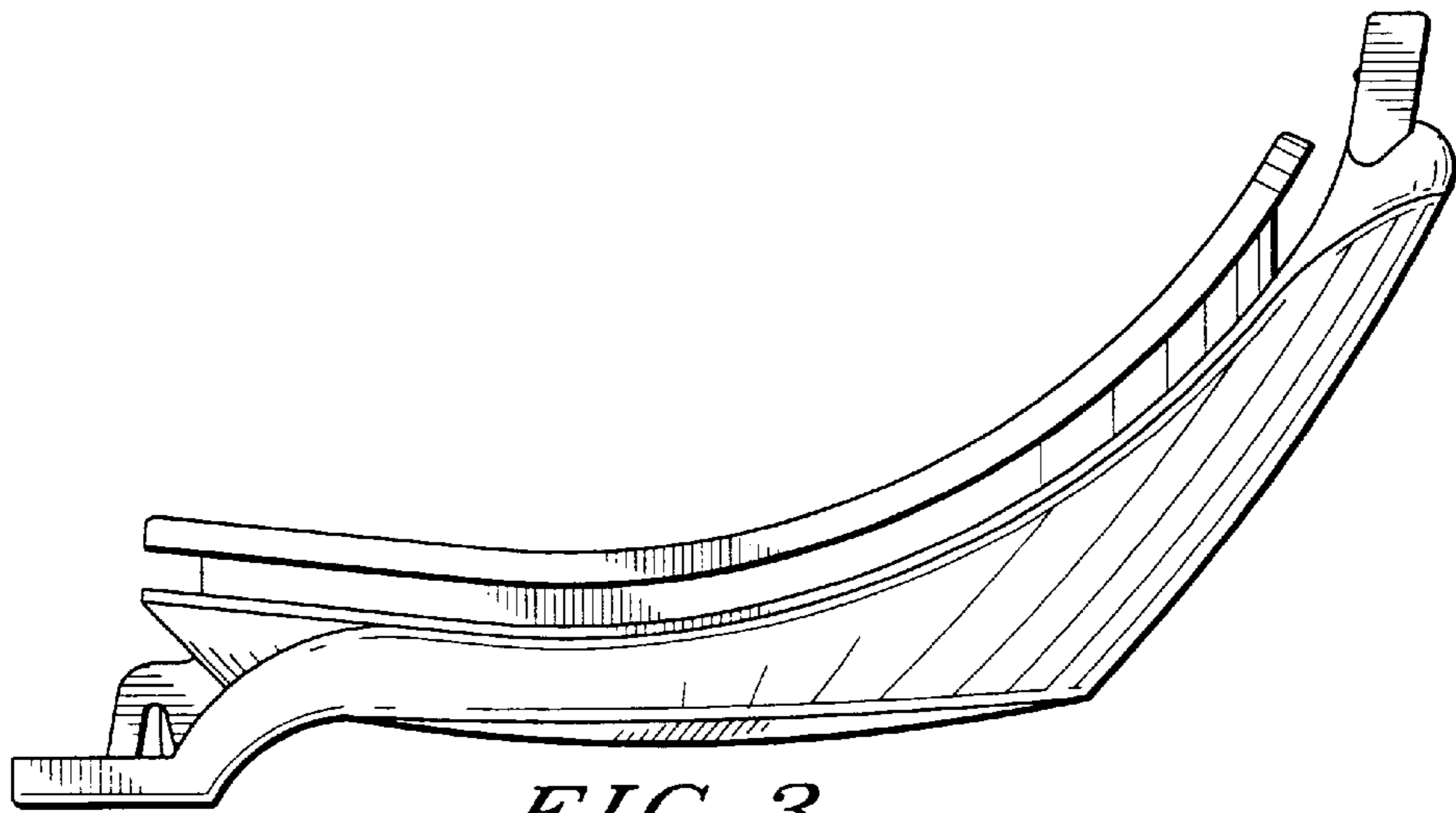




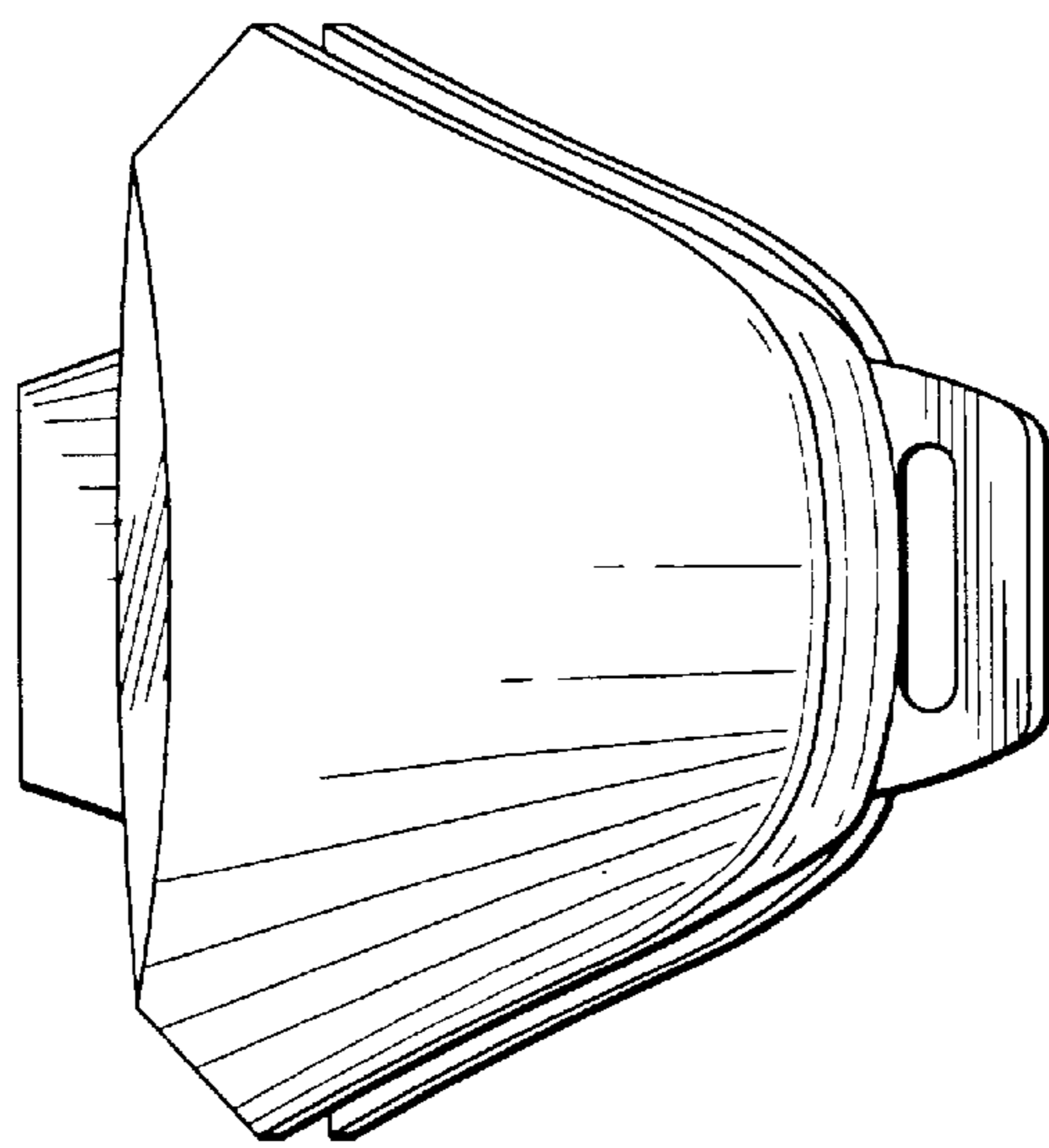
*FIG. 1*



*FIG. 2*



*FIG. 3*



*FIG. 4*

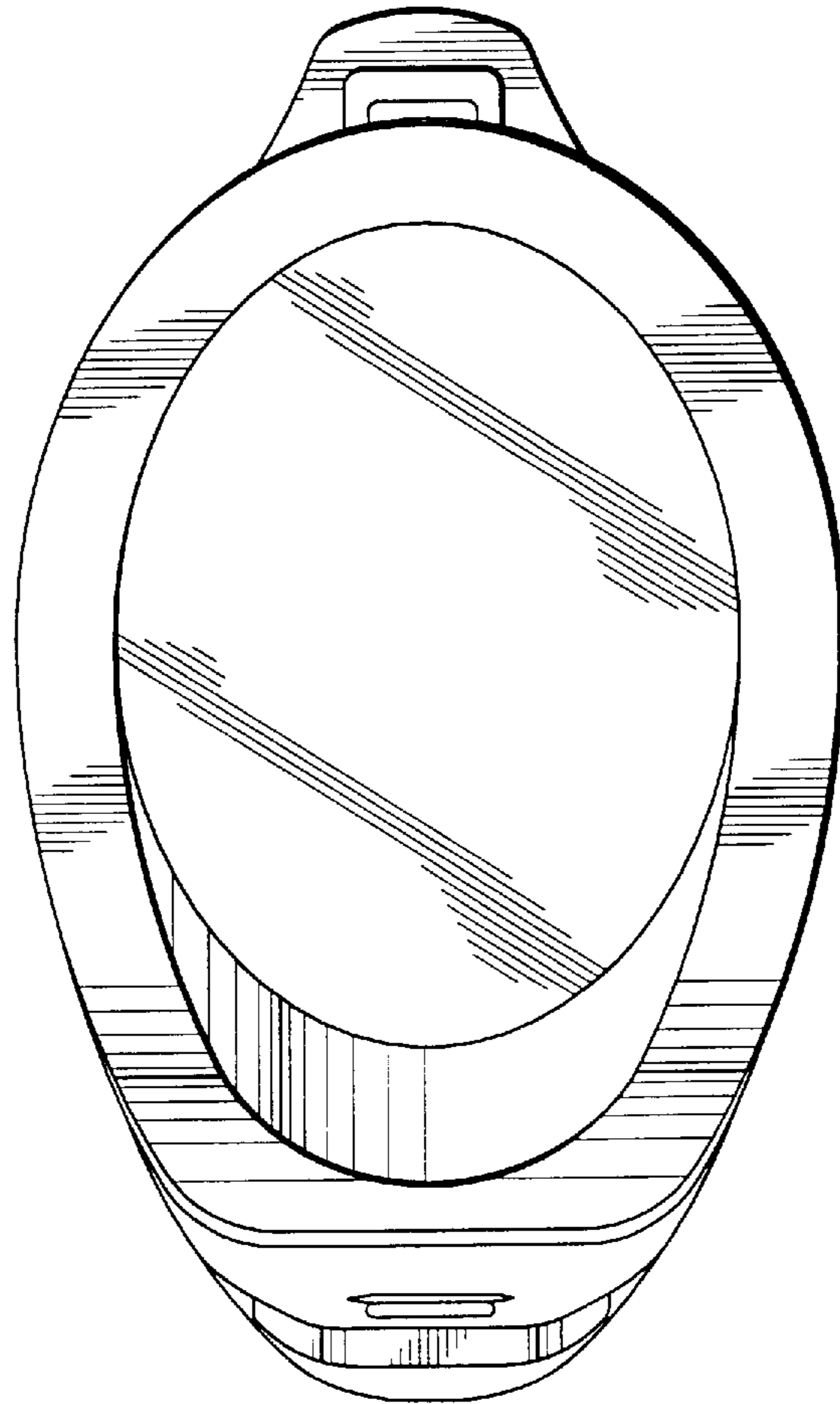
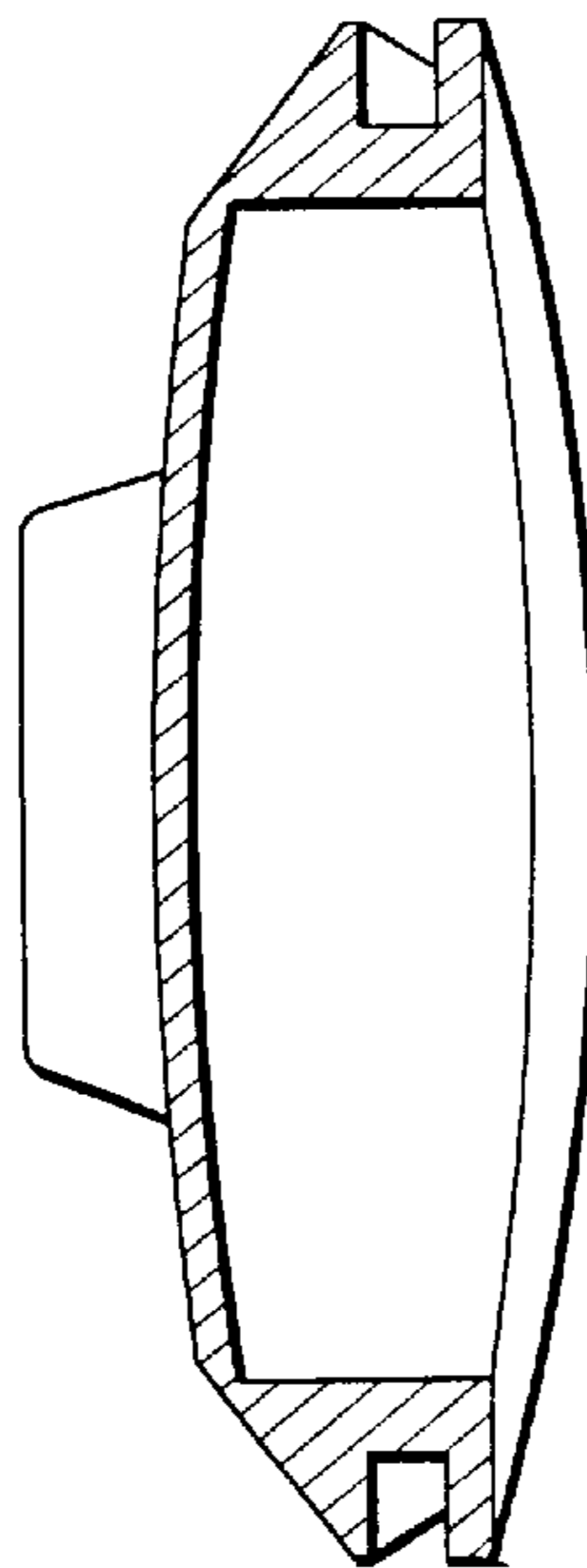
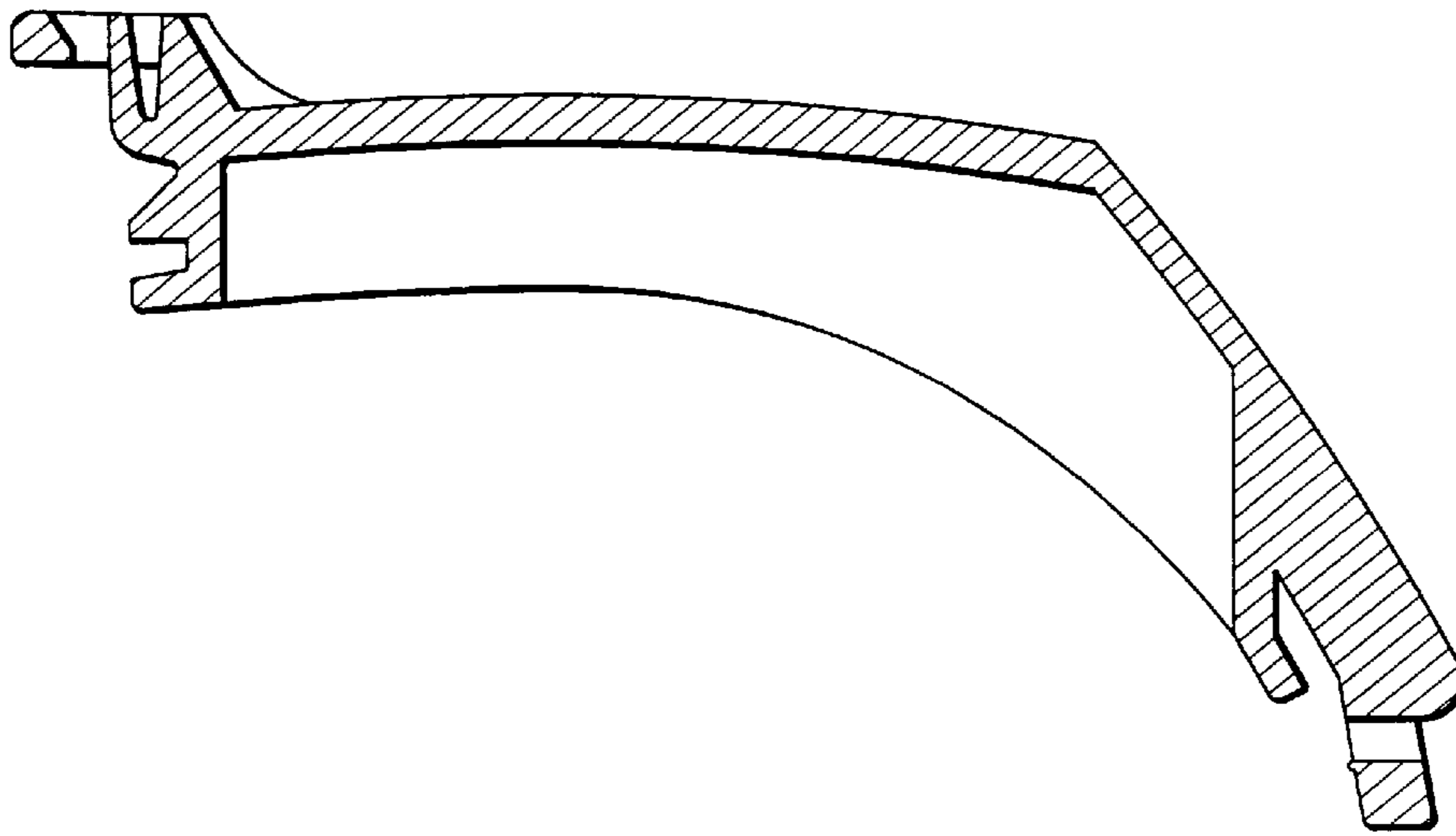


FIG. 5

*FIG. 6*



*FIG. 7*

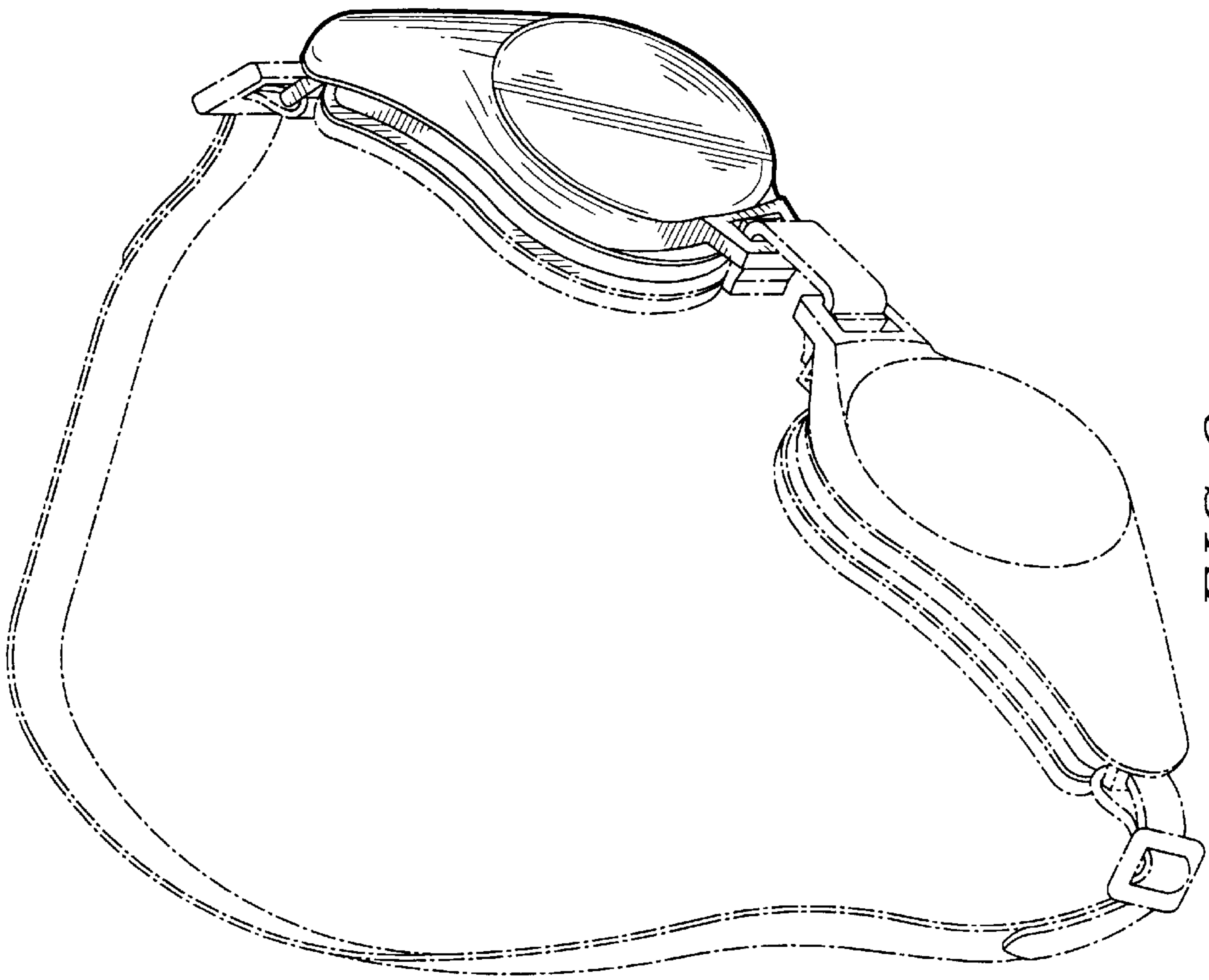


FIG. 9

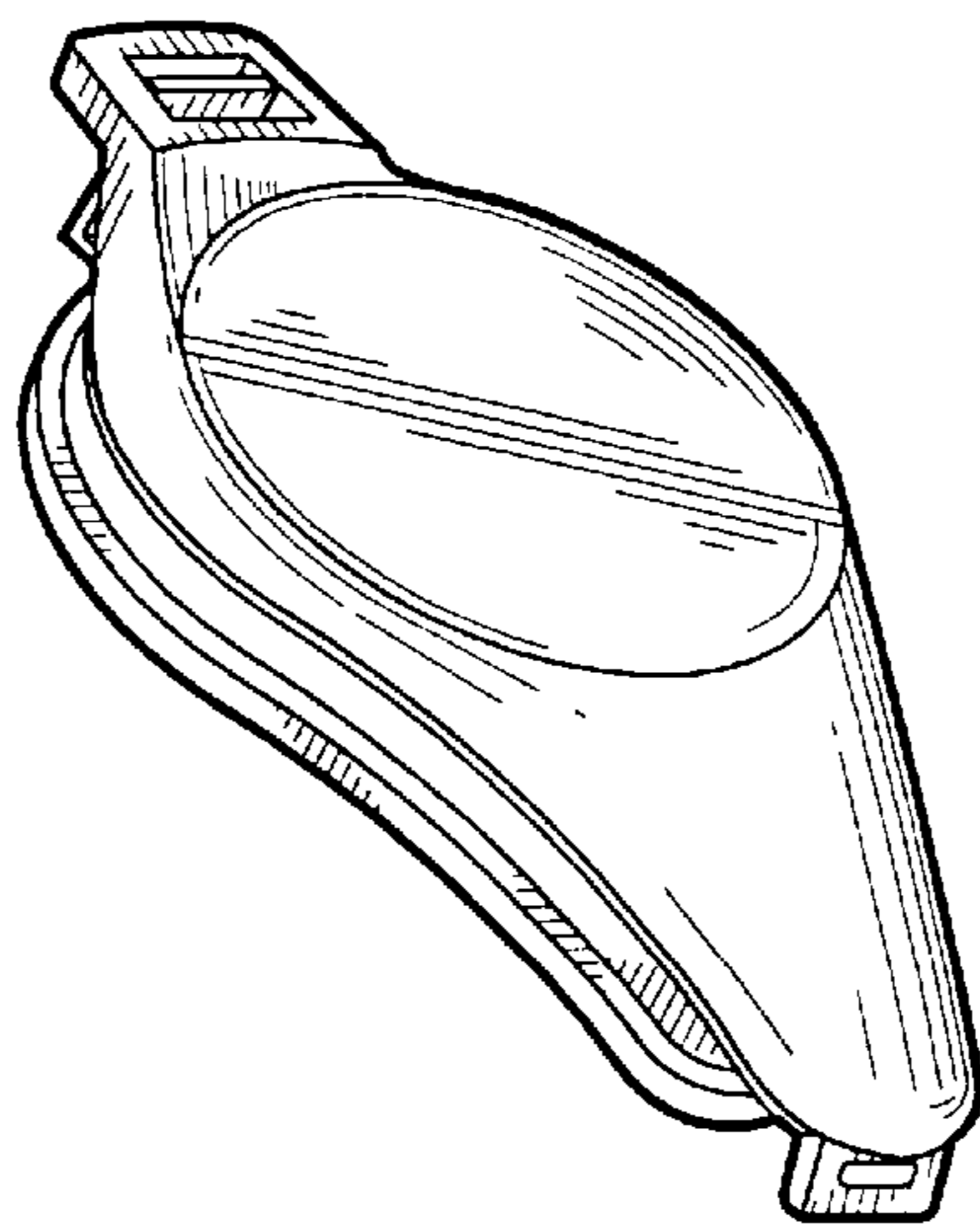
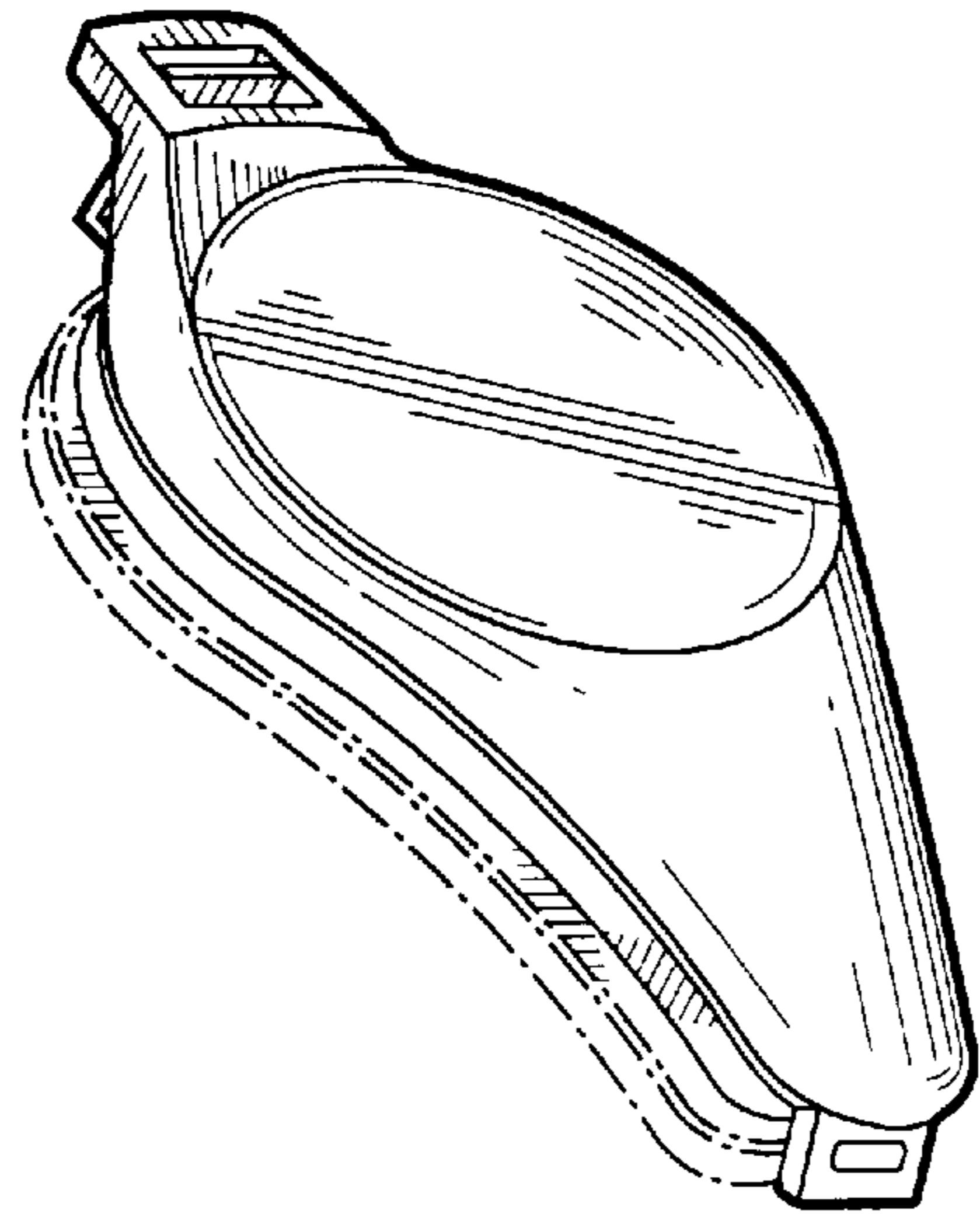


FIG. 8



*FIG. 10*