



US00D401954S

United States Patent [19]

Oh et al.

[11] Patent Number: **Des. 401,954**

[45] Date of Patent: ****Dec. 1, 1998**

[54] **VIDEO PROJECTOR**

[75] Inventors: **Sang Do Oh**, Seoul; **Hee Seong Park**, Kyeonggi-do, both of Rep. of Korea

[73] Assignee: **Samsung Aerospace Industries, Ltd.**, Kyeongsangnam-do, Rep. of Korea

[**] Term: **14 Years**

[21] Appl. No.: **76,200**

[22] Filed: **Sep. 8, 1997**

[30] **Foreign Application Priority Data**

Apr. 3, 1997 [KR] Rep. of Korea 1997-6412

[51] **LOC (6) Cl.** **16-02**

[52] **U.S. Cl.** **D16/232; D14/107**

[58] **Field of Search** D14/107; D16/221, D16/225, 229, 232, 233; 353/61, 66, 67, 119, 122, DIG. 3, DIG. 4

[56] **References Cited**

U.S. PATENT DOCUMENTS

- D. 306,435 3/1990 Krichever et al. D14/107
- D. 364,388 11/1995 Miyahara D14/107
- D. 376,586 12/1996 Shinano D16/232
- D. 377,032 12/1996 Morooka D16/202

- D. 386,157 11/1997 Hasegawa D14/107
- 2,529,664 11/1950 Roysner 353/DIG. 3

Primary Examiner—Ted Shooman
Assistant Examiner—Adir Aronovich
Attorney, Agent, or Firm—Finnegan, Henderson, Farabow, Garrett & Dunner, L.L.P.

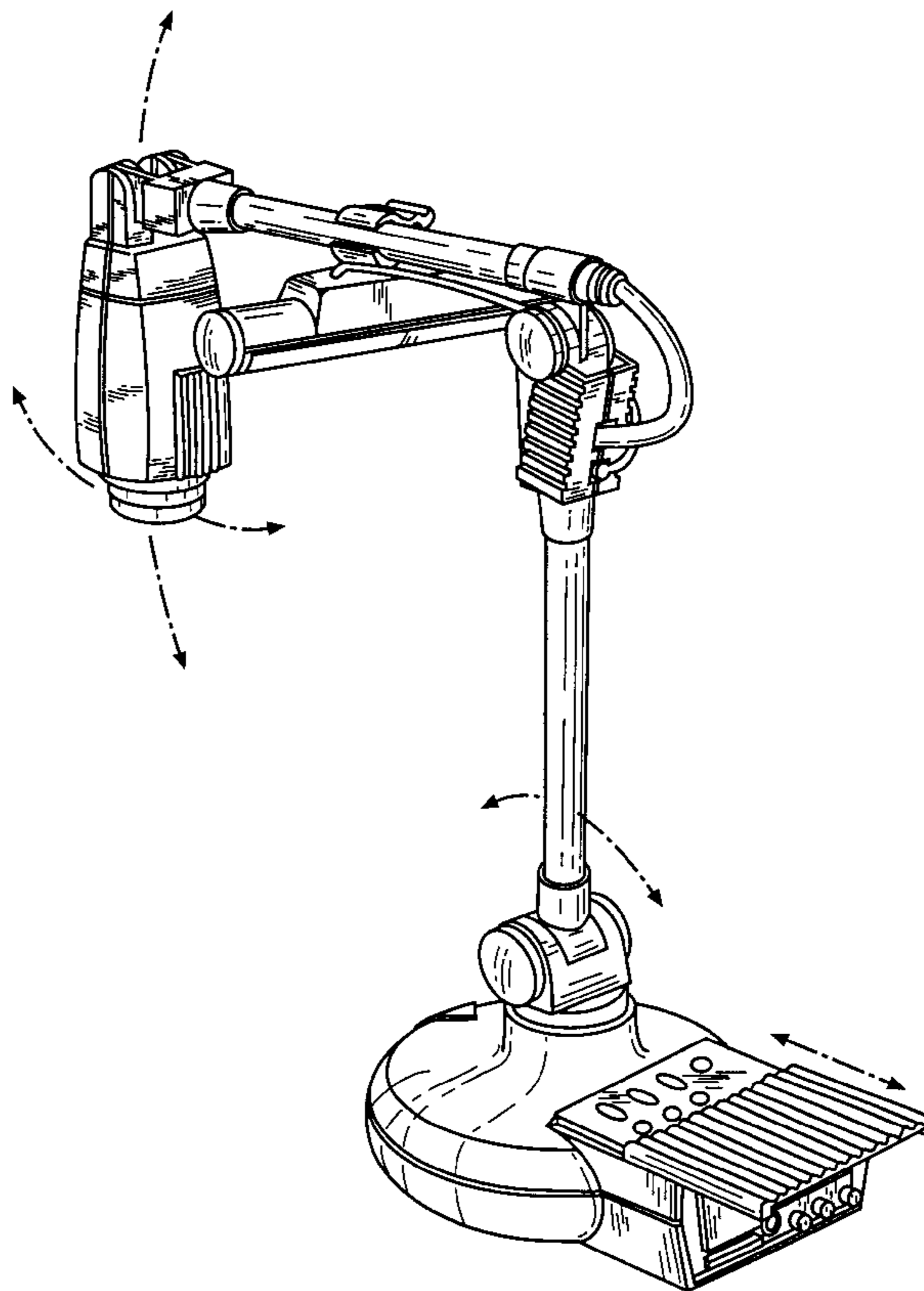
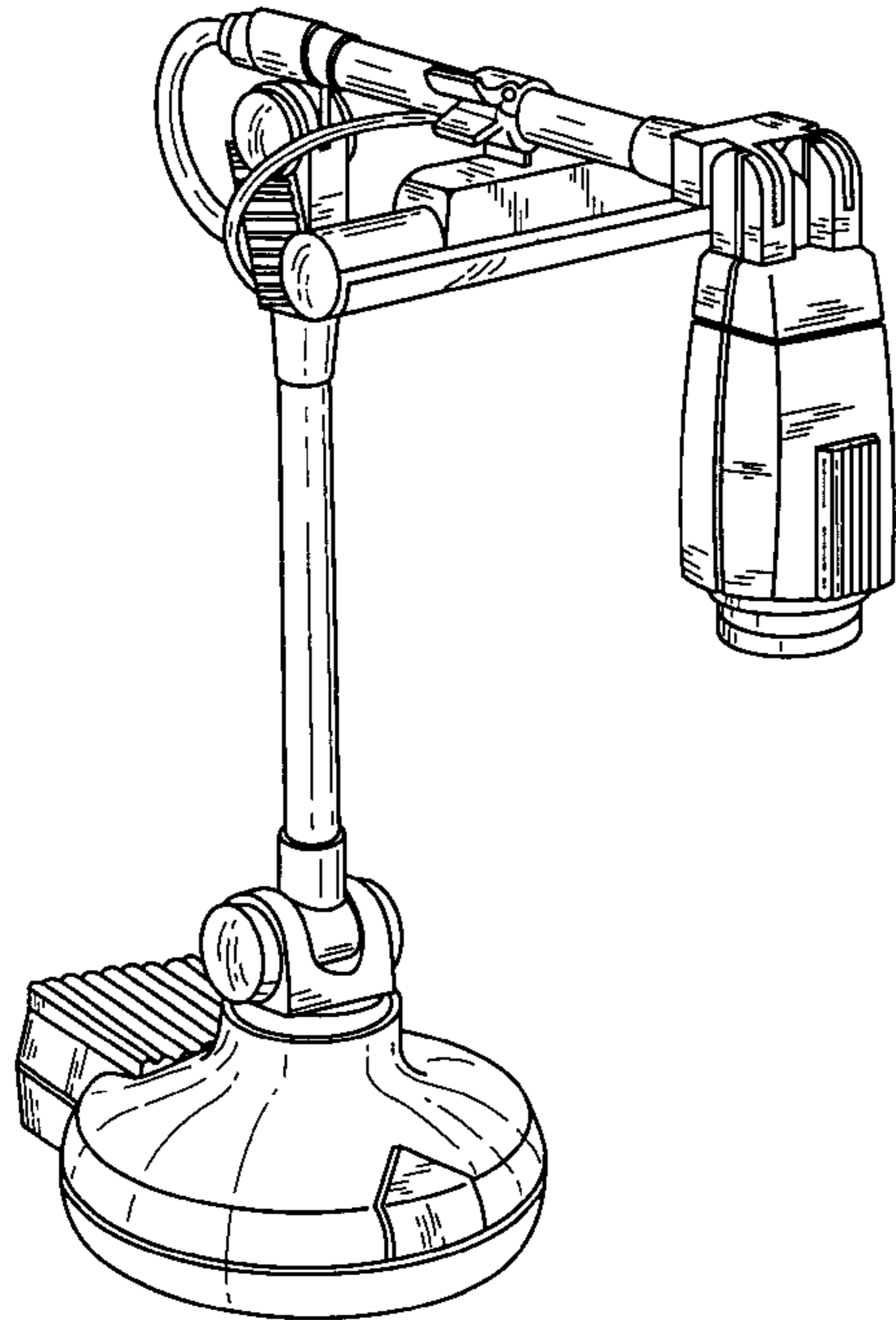
[57] **CLAIM**

The ornamental design for a video projector, as shown and described.

DESCRIPTION

FIG. 1 is a front elevational view of the design for a video projector;
FIG. 2 is a rear elevational view of the design of FIG. 1;
FIG. 3 is a left side elevational view of the design of FIG. 1;
FIG. 4 is a right side elevational view of the design of FIG. 1;
FIG. 5 is a top plan view of the design of FIG. 1;
FIG. 6 is a bottom plan view of the design of FIG. 1;
FIG. 7 is a top, front, left side perspective view of the design of FIG. 1; and,
FIG. 8 is a top, rear and right side perspective view of the design of FIG. 1.

1 Claim, 8 Drawing Sheets



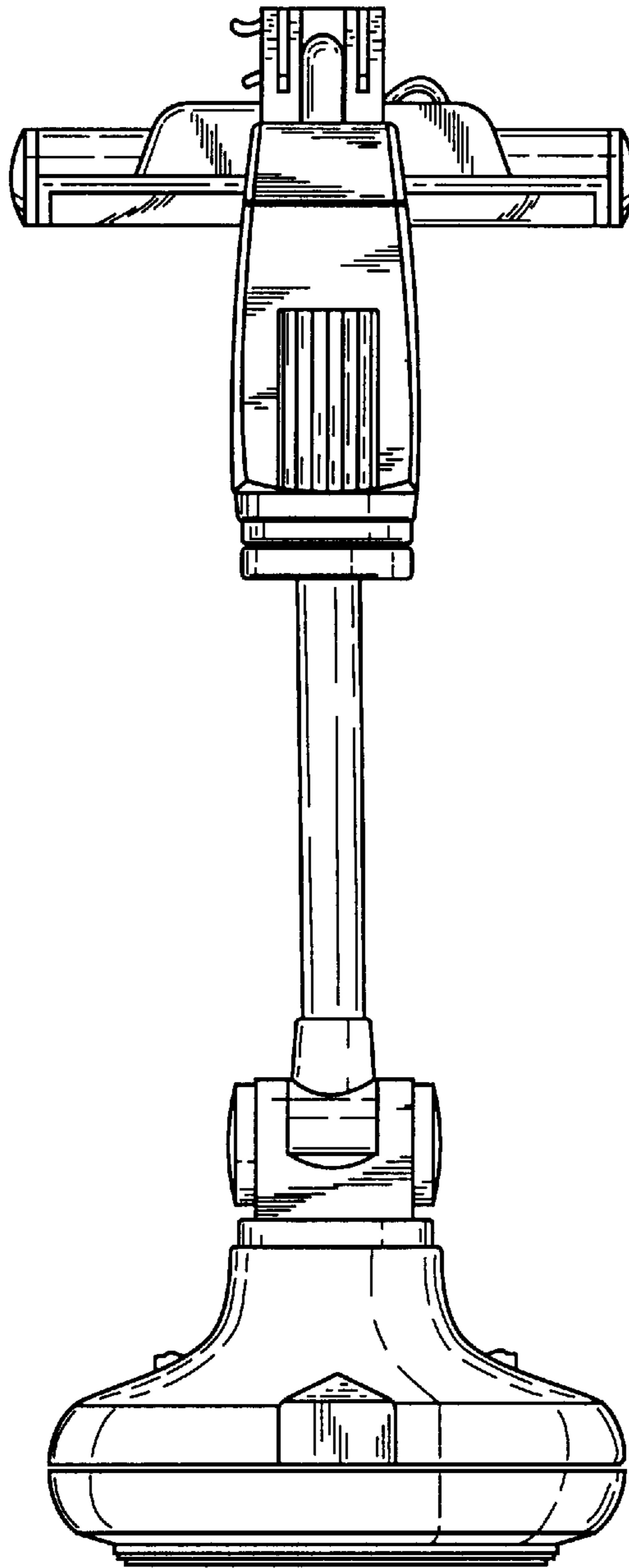


FIG. 1

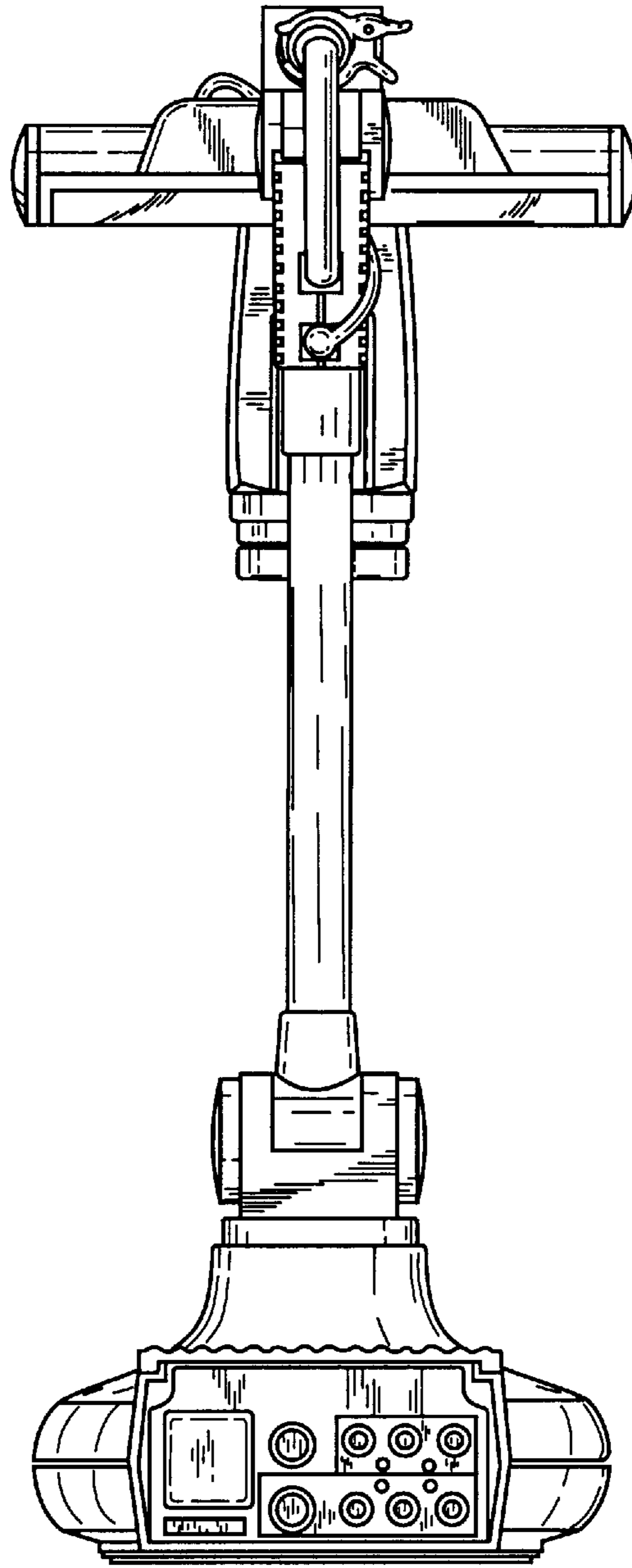


FIG. 2

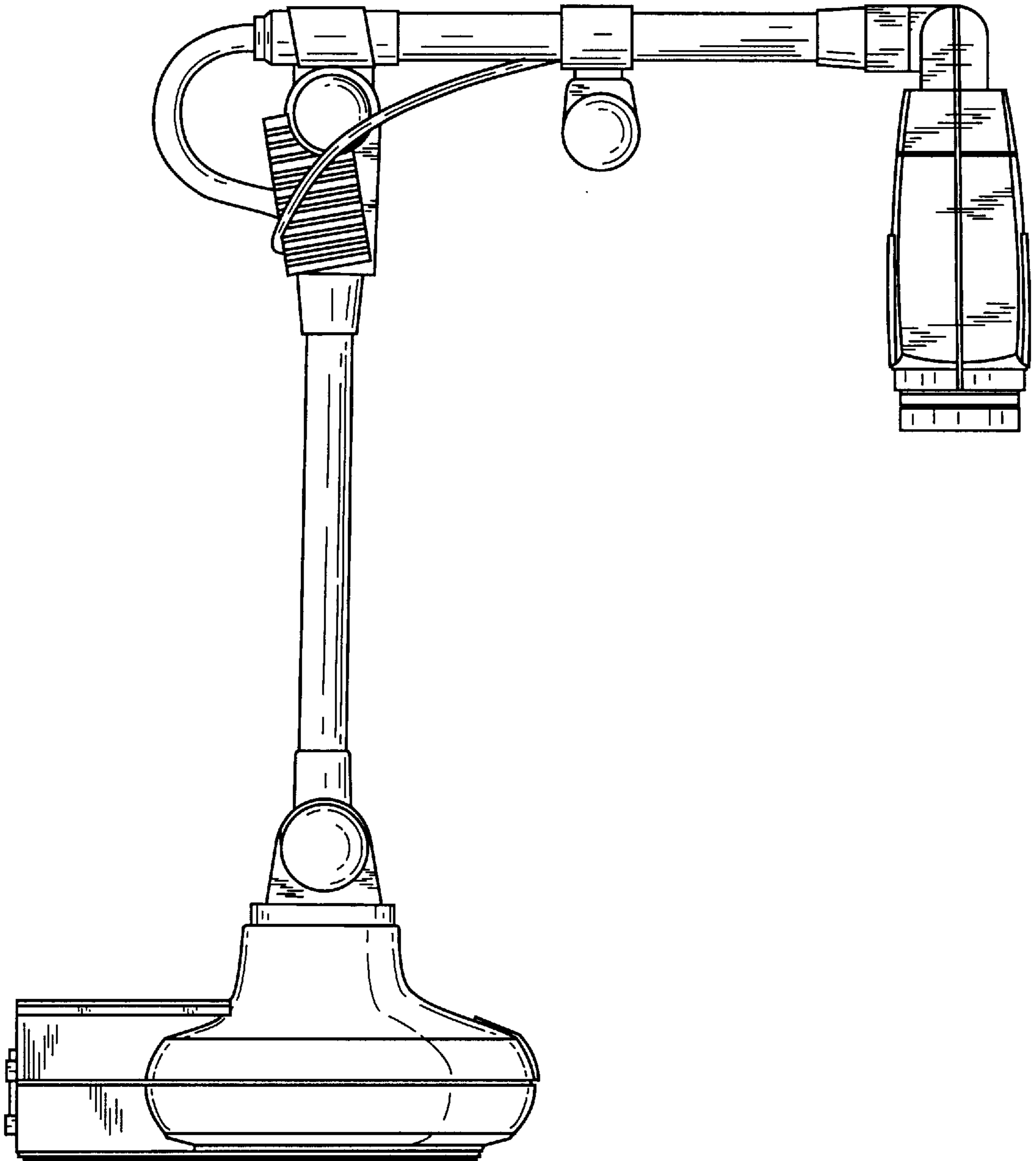


FIG. 3

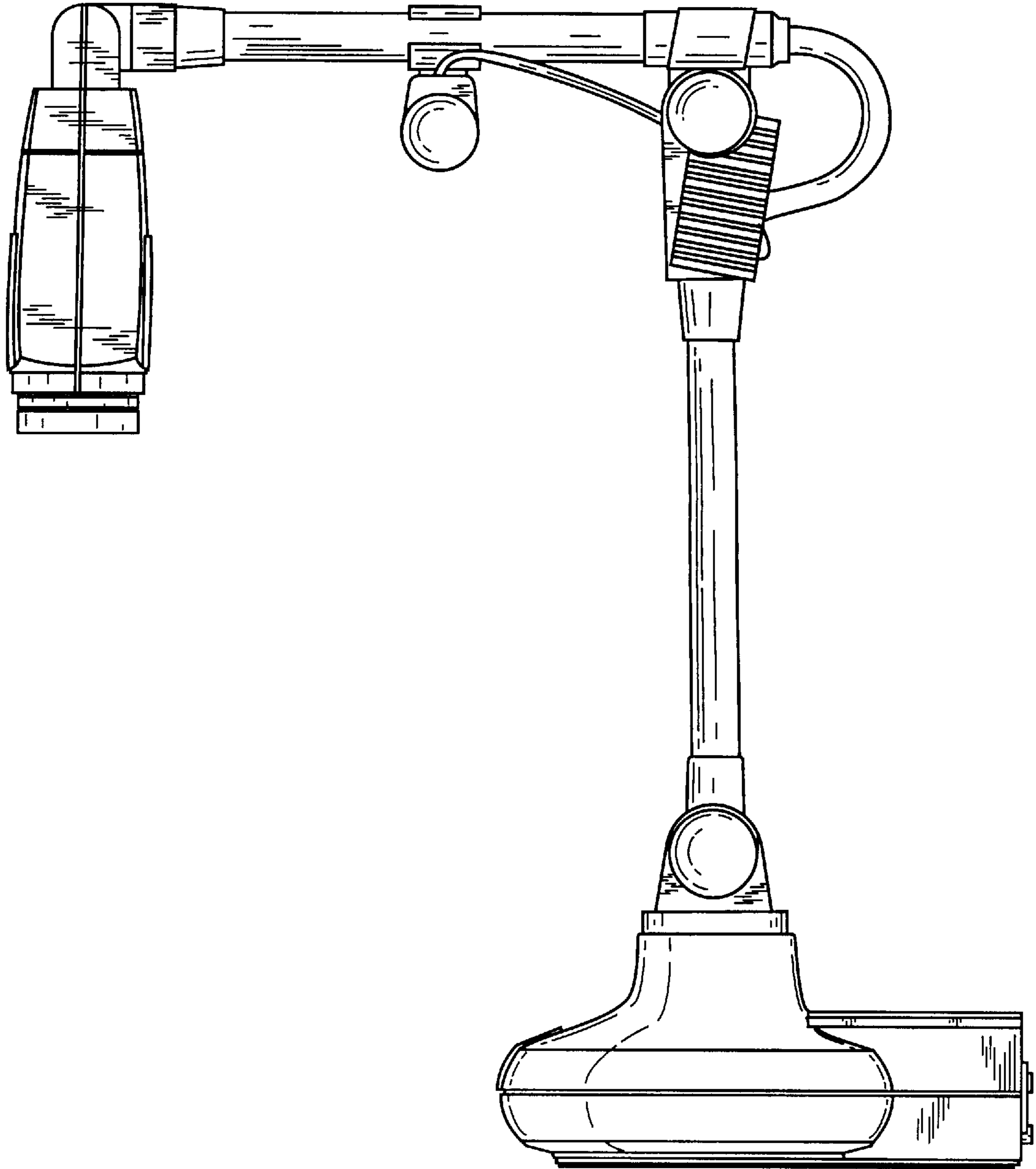


FIG. 4

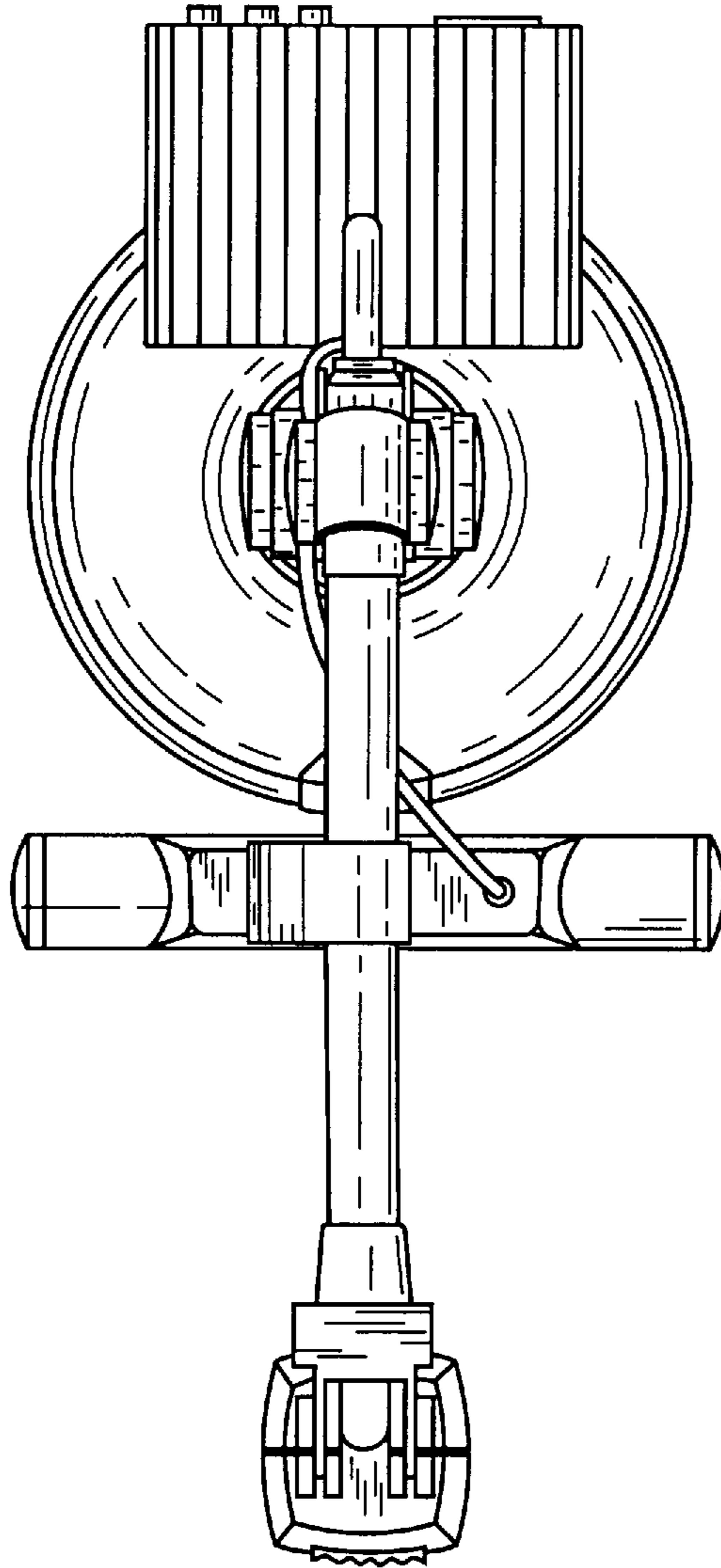


FIG. 5

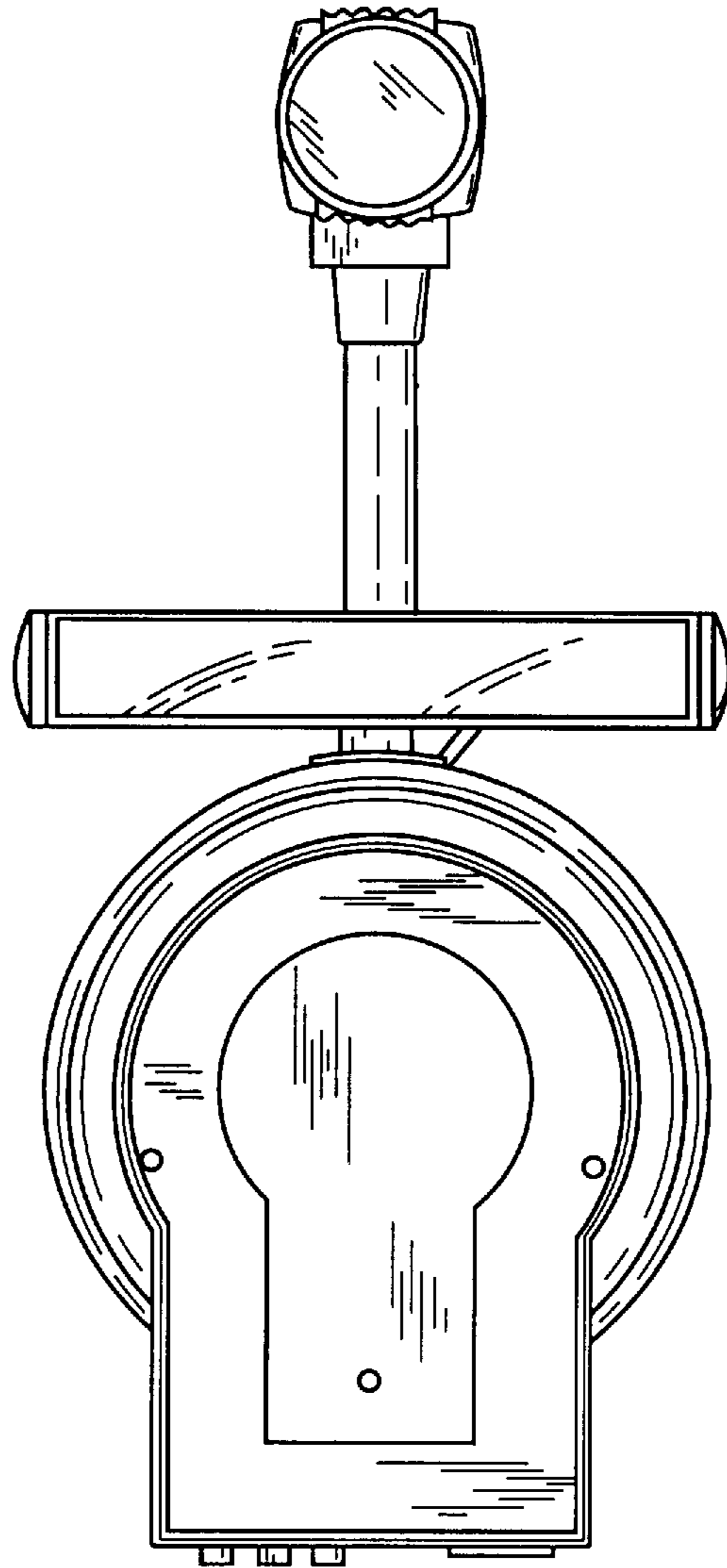


FIG. 6

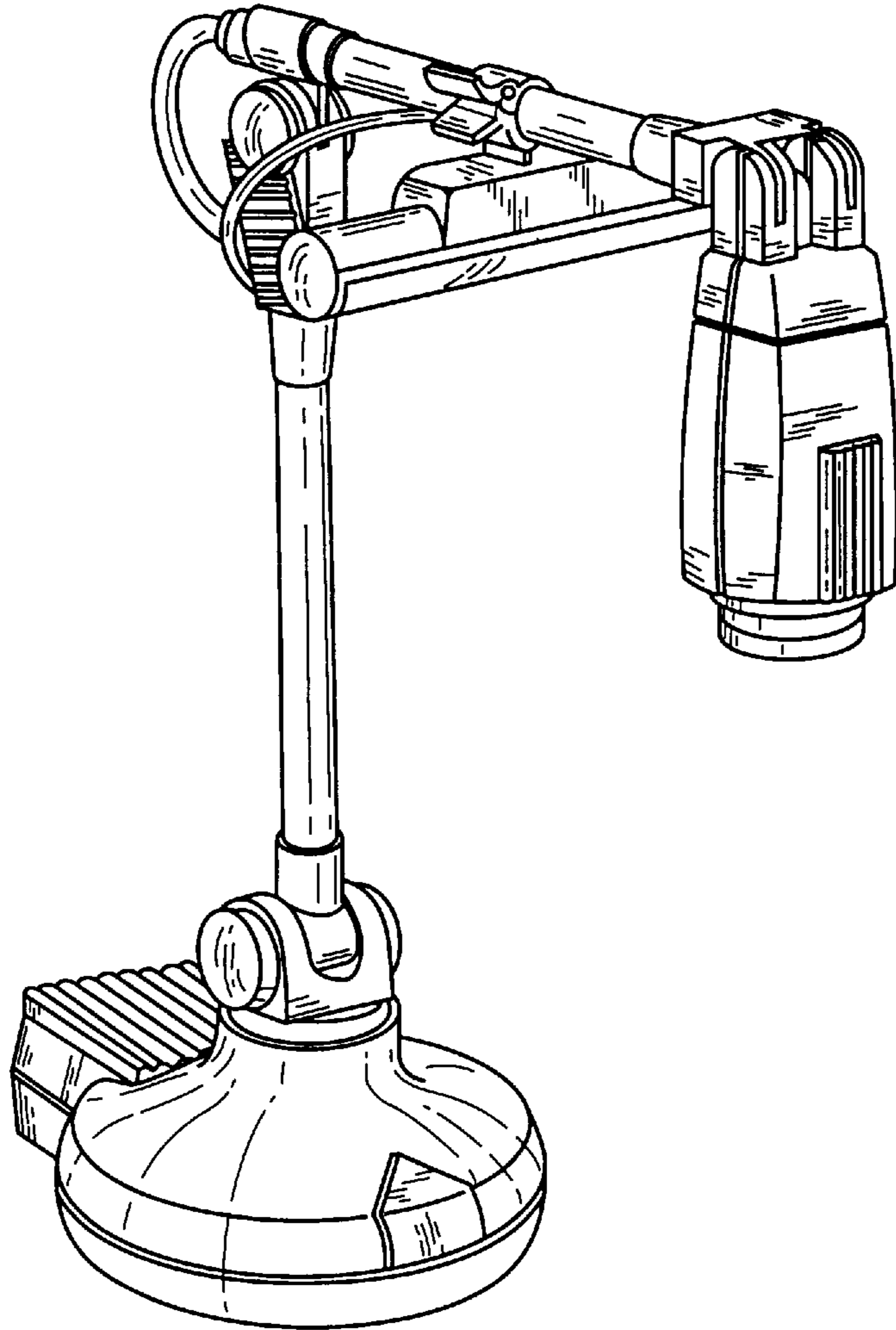


FIG. 7

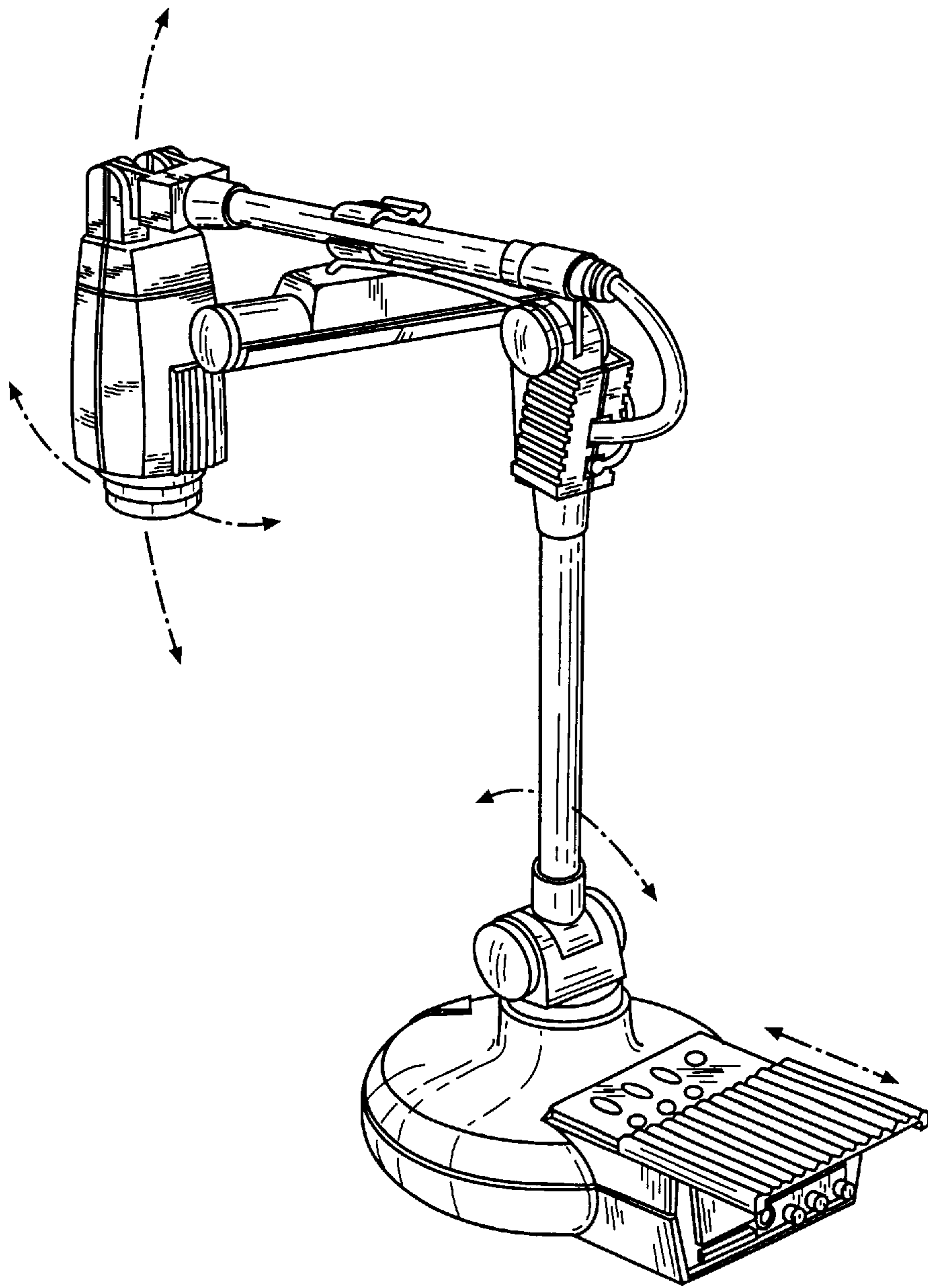


FIG. 8