



US00D401952S

**United States Patent** [19]  
**Takizawa**

[11] **Patent Number: Des. 401,952**  
[45] **Date of Patent: \*\*Dec. 1, 1998**

[54] **DIGITAL CAMERA**

D. 359,974 7/1995 Van De Loo ..... D16/202  
D. 384,086 9/1997 Ikenaga ..... D16/202

[75] Inventor: **Sakiko Takizawa**, Kawasaki, Japan

**OTHER PUBLICATIONS**

[73] Assignee: **Canon Kabushiki Kaisha**, Tokyo, Japan

Video Magazine, p. 15 (Fisher's FVC-990), Nov. 1991.

[\*\*] Term: **14 Years**

*Primary Examiner*—Ted Shooman  
*Assistant Examiner*—Adir Aronovich  
*Attorney, Agent, or Firm*—Fitzpatrick, Cella, Harper & Scinto

[21] Appl. No.: **81,842**

[22] Filed: **Dec. 15, 1997**

[57] **CLAIM**

[30] **Foreign Application Priority Data**

The ornamental design for a digital camera, as shown and described.

Jun. 7, 1997 [JP] Japan ..... 9-058222

**DESCRIPTION**

[51] **LOC (6) Cl.** ..... **16-01**

FIG. 1 is a front view of a digital camera showing my new design;  
FIG. 2 is a rear view thereof;  
FIG. 3 is a top plan view thereof;  
FIG. 4 is a bottom plan view thereof;  
FIG. 5 is a left side view thereof;  
FIG. 6 is a right side view thereof; and,  
FIG. 7 is a perspective view thereof.

[52] **U.S. Cl.** ..... **D16/202**

[58] **Field of Search** ..... D16/200-205,  
D16/208, 209, 212, 213, 216-218; 348/373-376;  
358/906, 909.1; 396/535-543

[56] **References Cited**

**U.S. PATENT DOCUMENTS**

D. 303,535 9/1989 Lane et al. .... D16/218  
D. 314,203 1/1991 Shinano ..... D16/202  
D. 356,098 3/1995 Tamura ..... D16/202

**1 Claim, 4 Drawing Sheets**

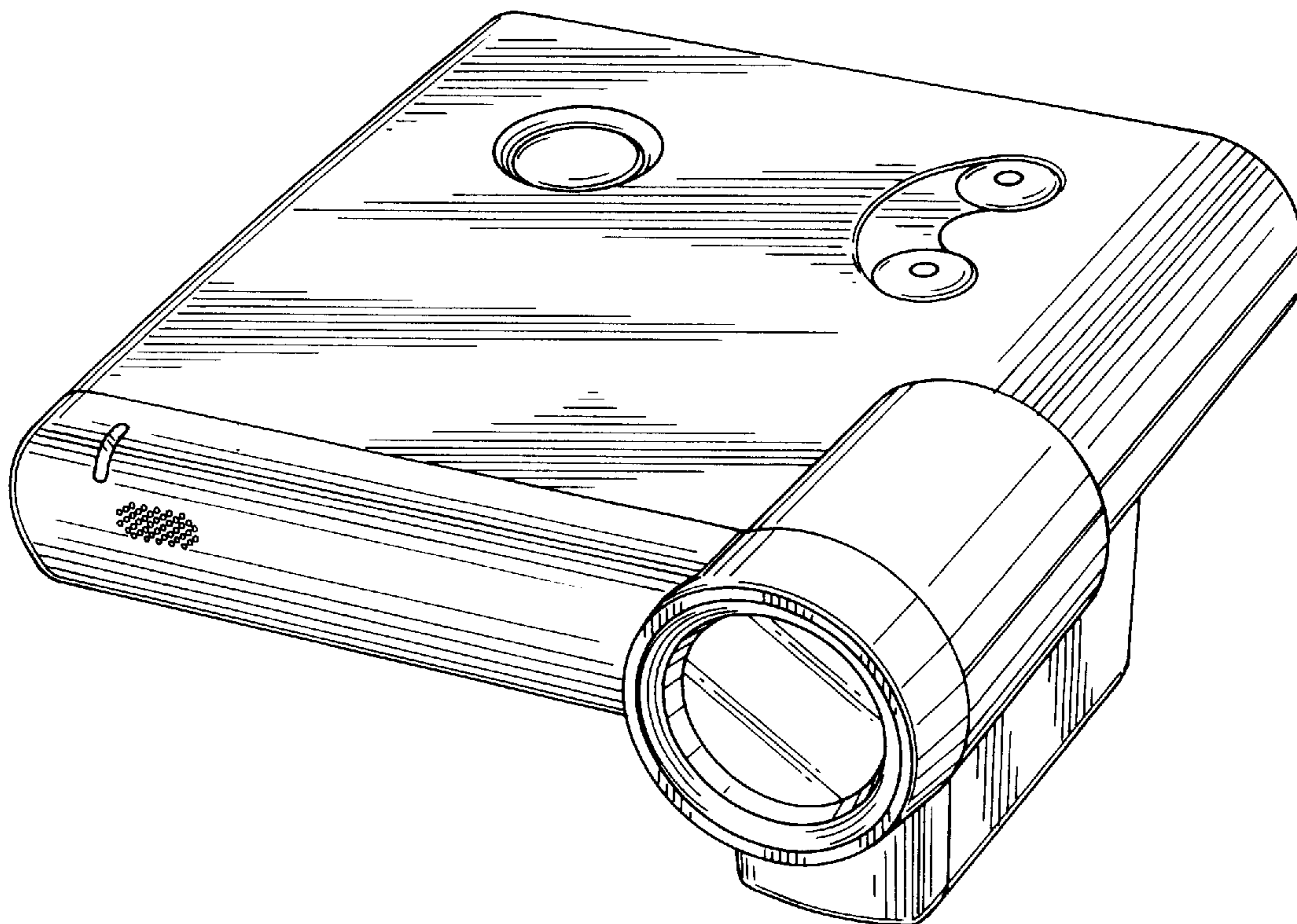


FIG. 1

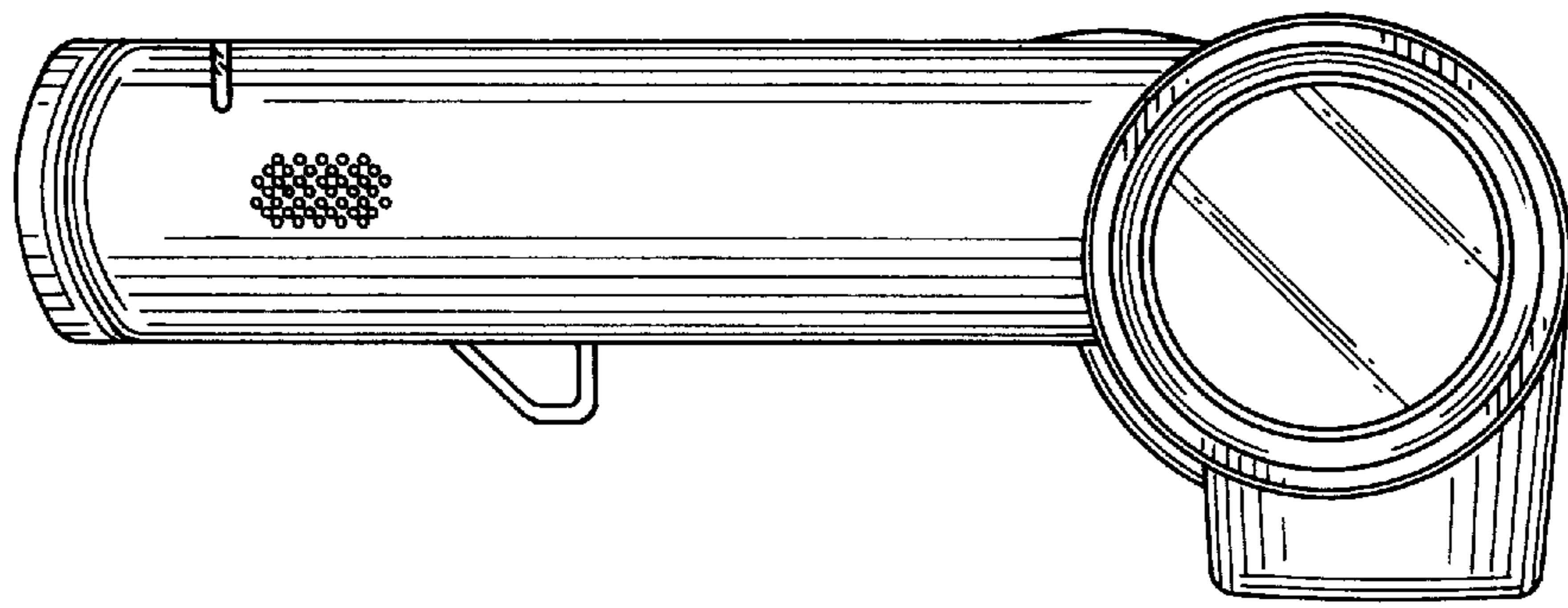


FIG. 2

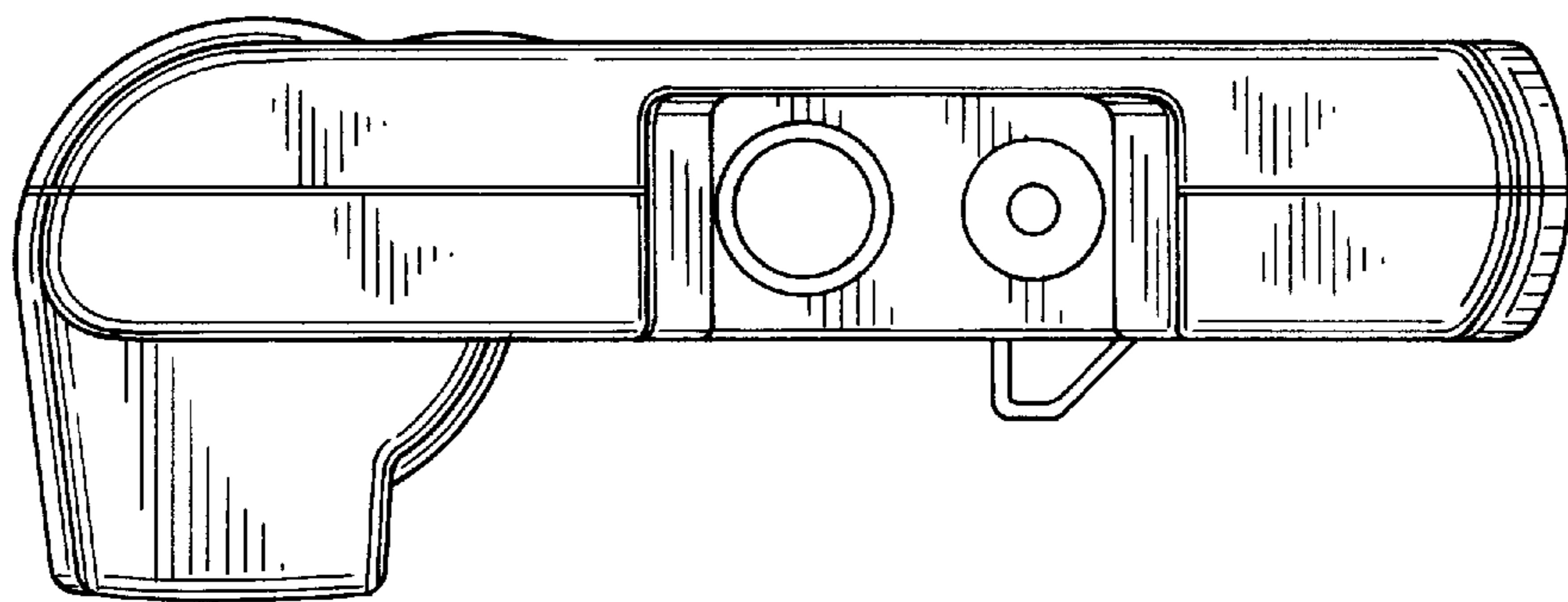


FIG. 4

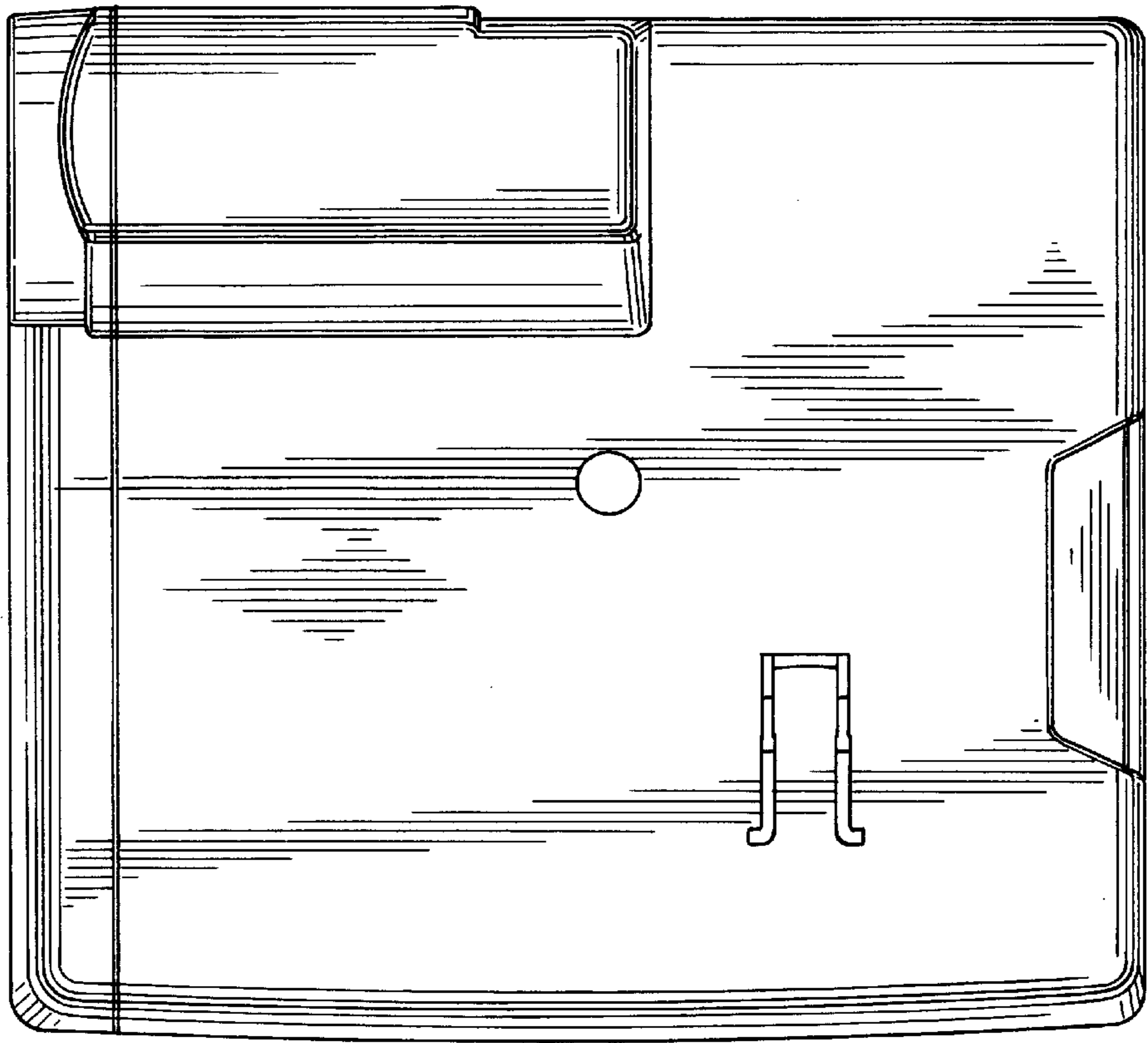
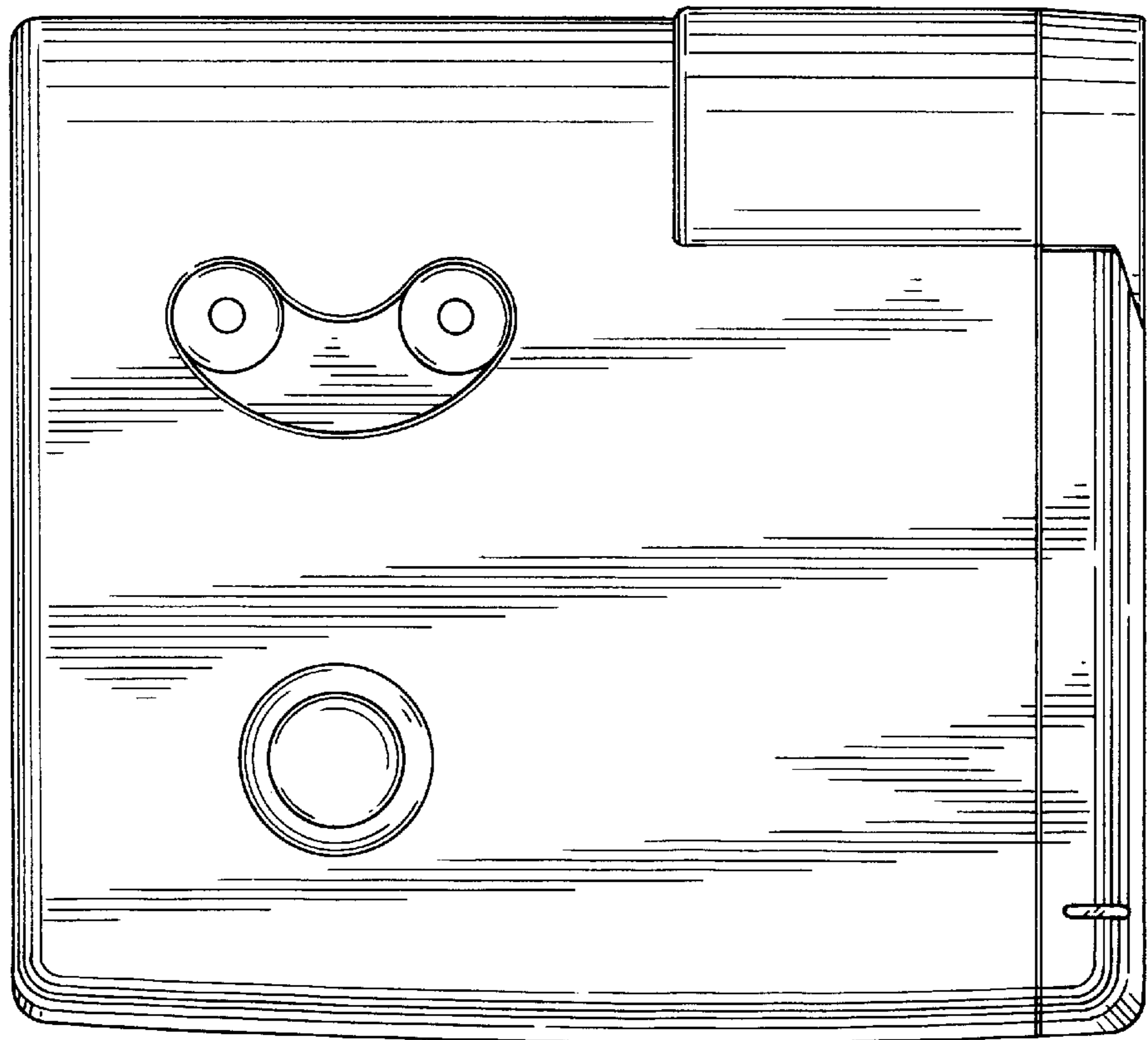
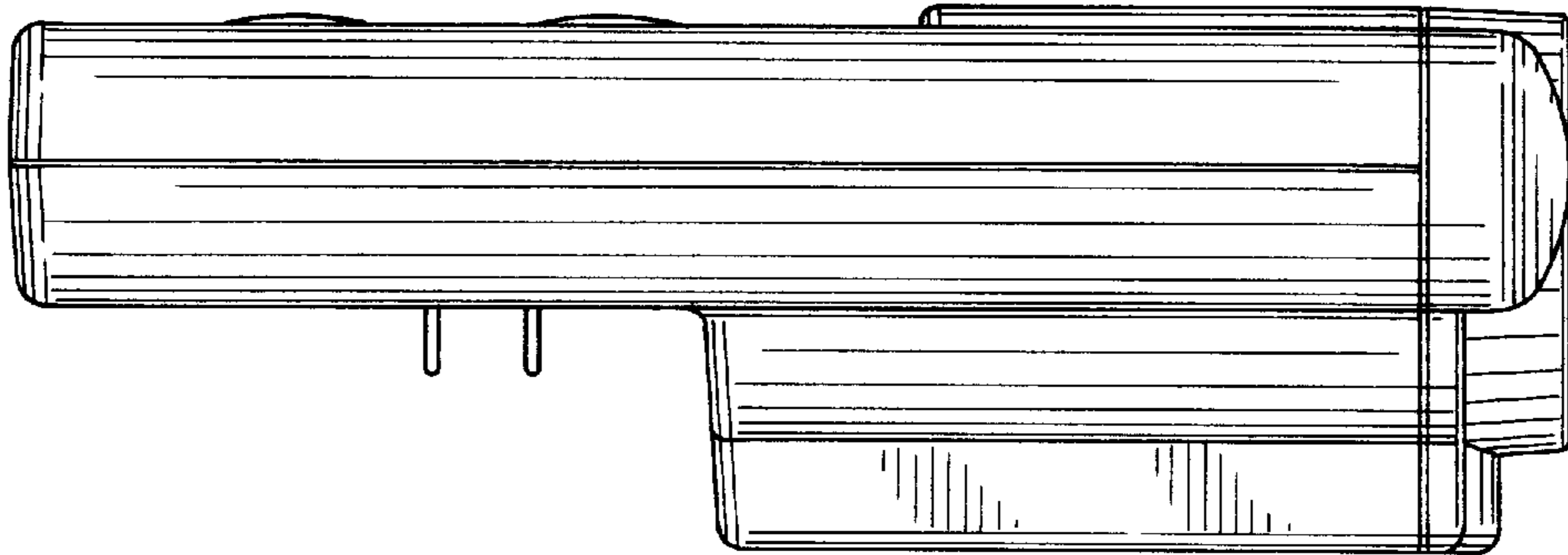


FIG. 3



*FIG. 5*



*FIG. 6*

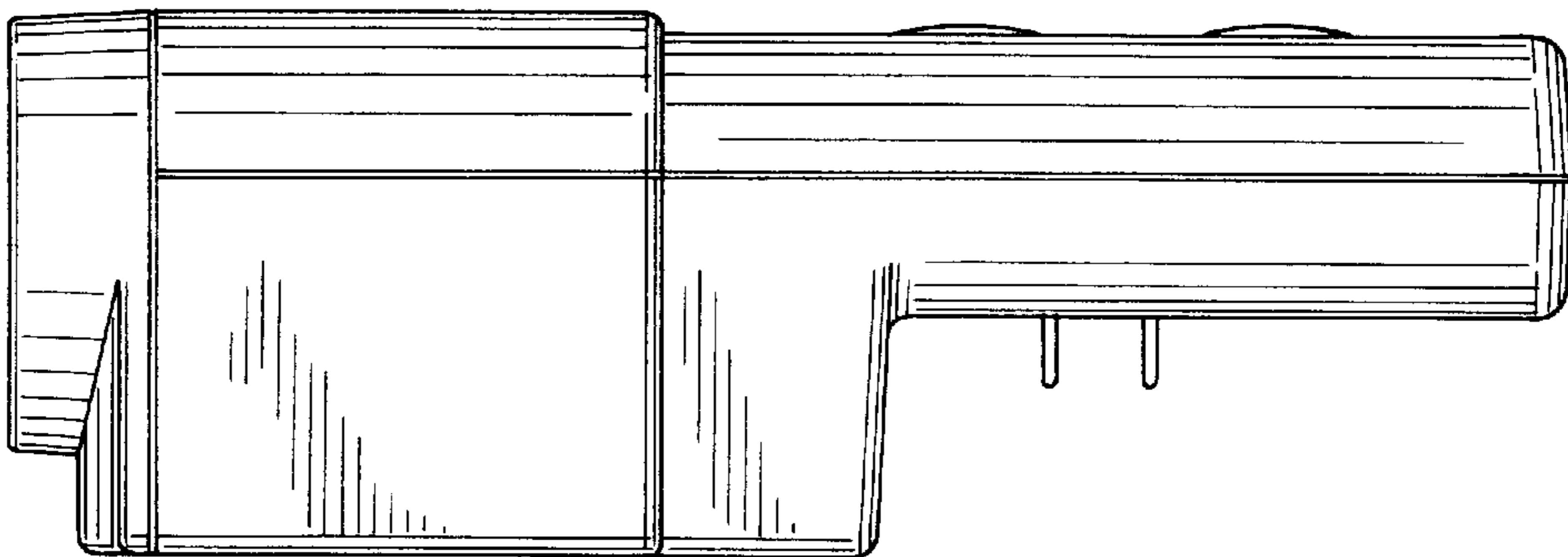


FIG. 7

