



US00D401947S

**United States Patent** [19]  
**Chen**

[11] **Patent Number: Des. 401,947**

[45] **Date of Patent: \*\*Dec. 1, 1998**

[54] **DRILL PRESS**

5,634,748 6/1997 Brazell et al. .... 408/236 X

[76] Inventor: **Ruey-Zon Chen**, No. 261, Jen Hwa Road, Ta-Li City, Taichung Hsien, Taiwan

*Primary Examiner*—Antoine Duval Davis  
*Attorney, Agent, or Firm*—Rosenberg, Klein & Bilker

[\*\*] Term: **14 Years**

[57] **CLAIM**

The ornamental design for a drill press, as shown and described.

[21] Appl. No.: **79,962**

**DESCRIPTION**

[22] Filed: **Oct. 31, 1997**

[51] **LOC (6) Cl.** ..... **15-09**

[52] **U.S. Cl.** ..... **D15/132**

[58] **Field of Search** ..... D15/132; 29/26 A, 29/33 R, 33 K, 35, 300, 560; 408/87, 90, 124, 129, 130, 234, 235, 236, 237; 409/185, 231

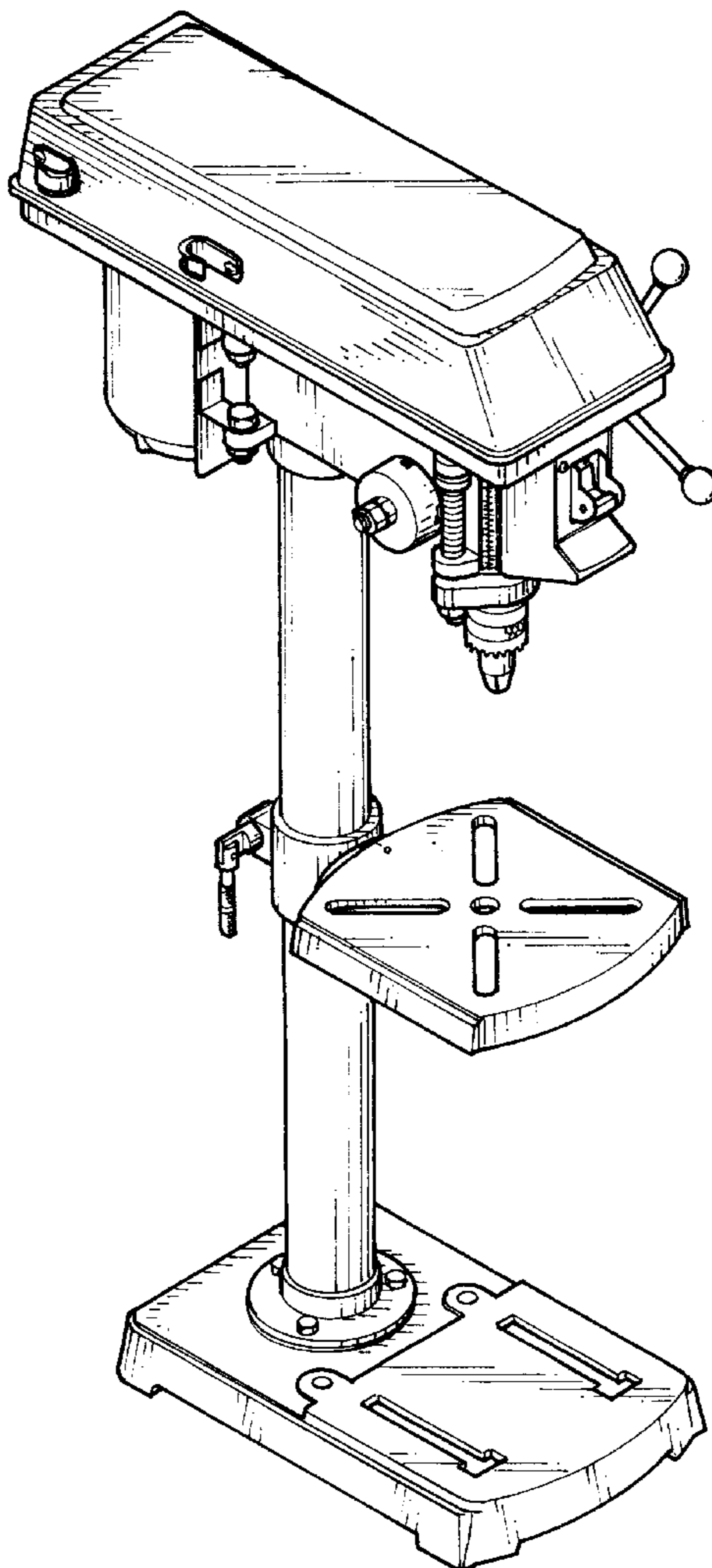
FIG. 1 is a front-left-top perspective view of a drill press, showing my new design;  
FIG. 2 is a front elevational view thereof;  
FIG. 3 is a rear elevational view thereof;  
FIG. 4 is a left elevational view thereof;  
FIG. 5 is a right elevational view thereof;  
FIG. 6 is a top plane view thereof; and,  
FIG. 7 is a bottom plane view thereof; and,  
FIG. 8 is a front-left-top perspective view thereof.  
The broken line showing is for illustrative purposes only and forms no part of the claimed design.

[56] **References Cited**

**U.S. PATENT DOCUMENTS**

- D. 285,797 9/1986 Arehart ..... D15/132
- D. 386,192 11/1997 Chen ..... D15/132

**1 Claim, 6 Drawing Sheets**



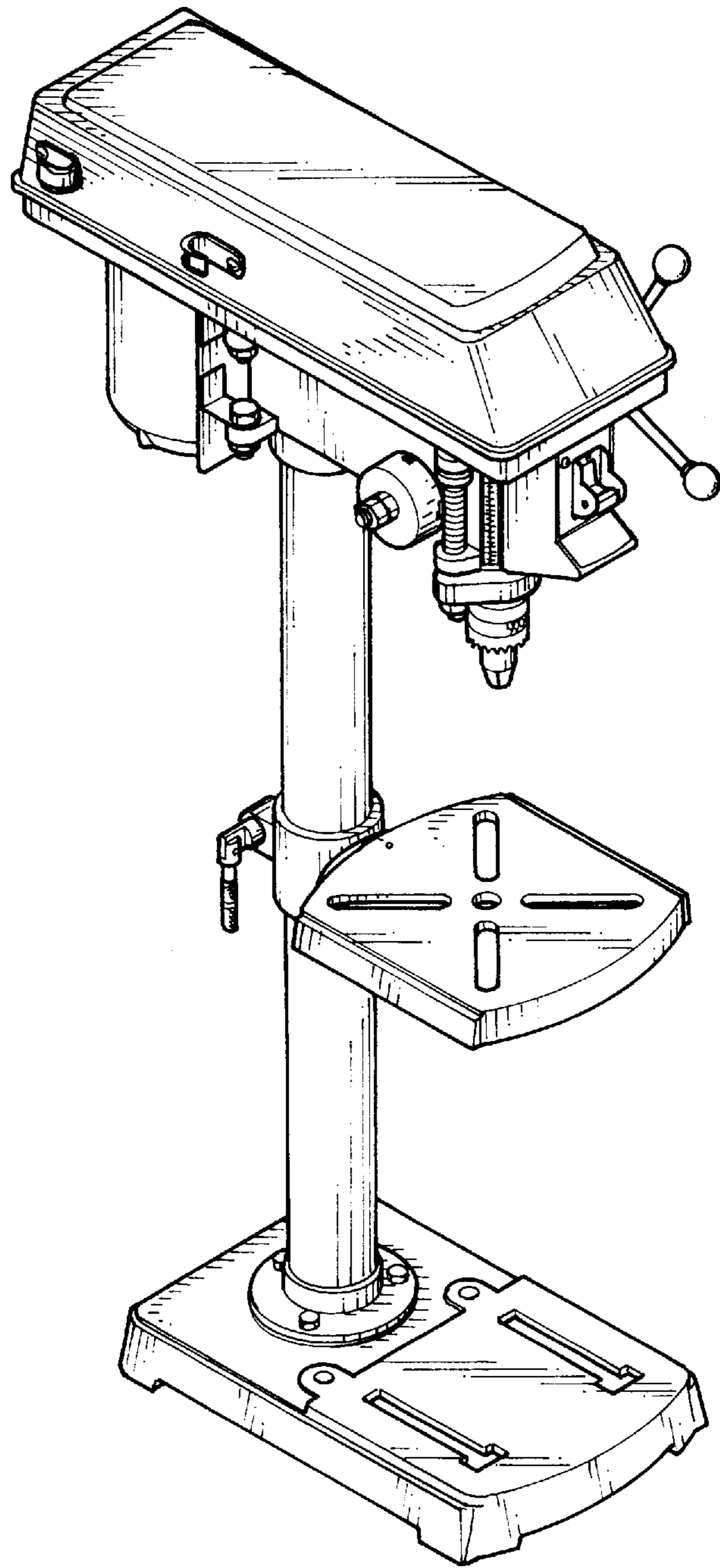


FIG. 1

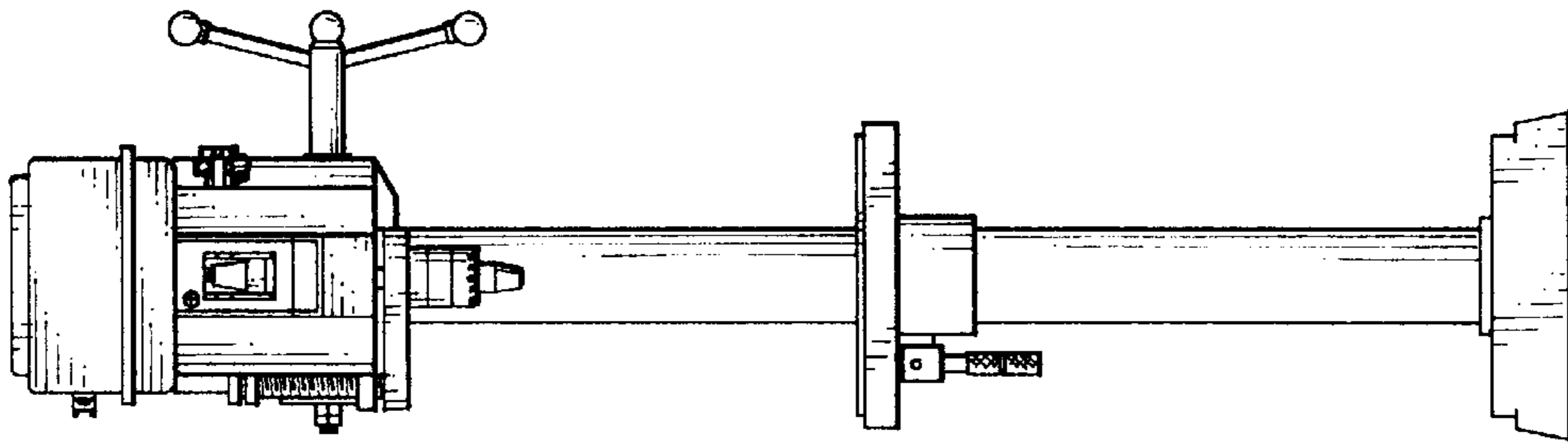


FIG. 2

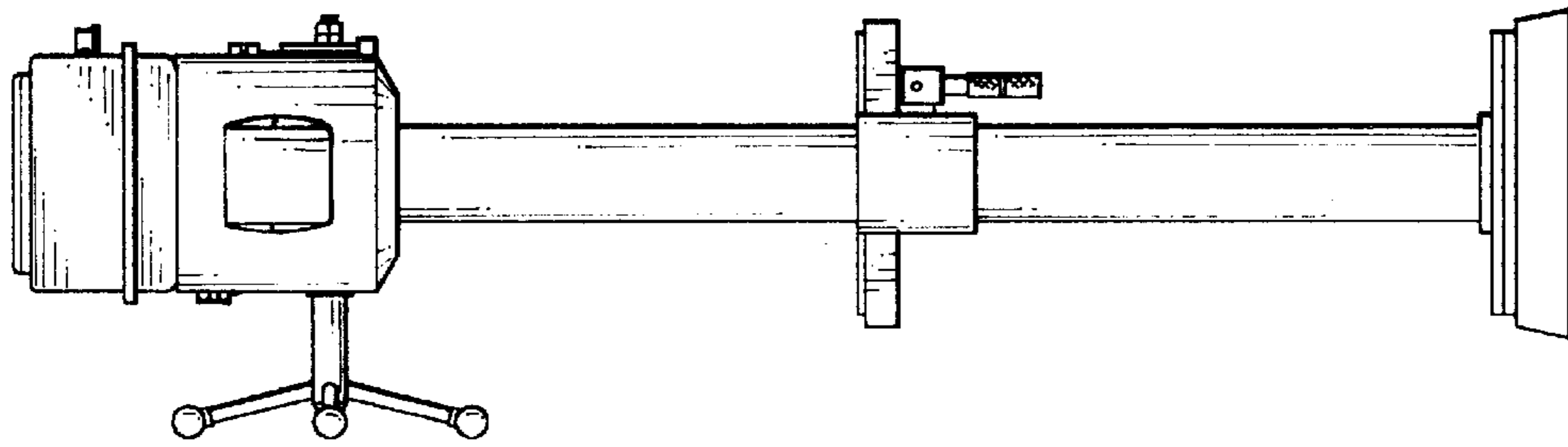


FIG. 3

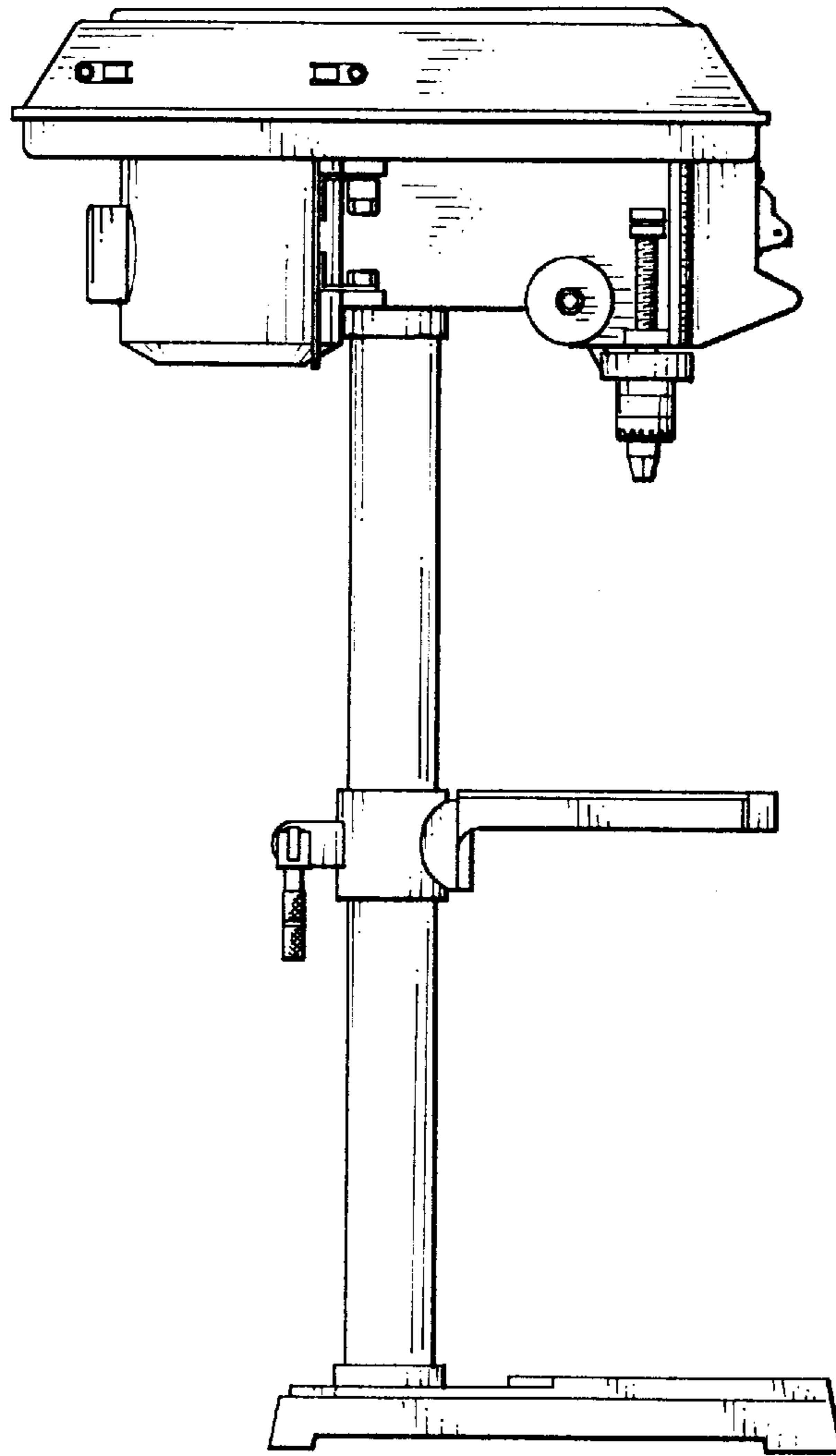


FIG. 4

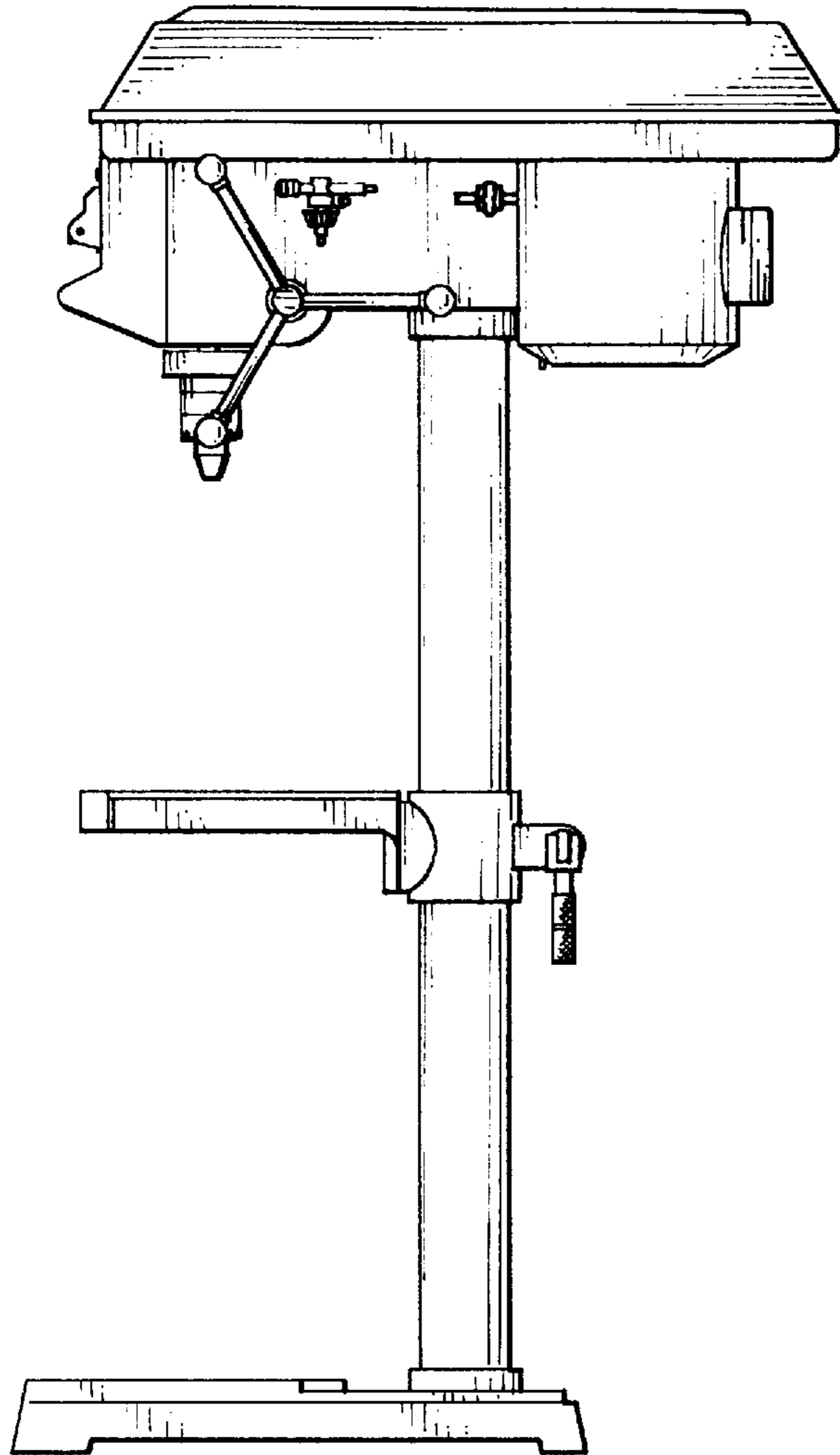


FIG.5

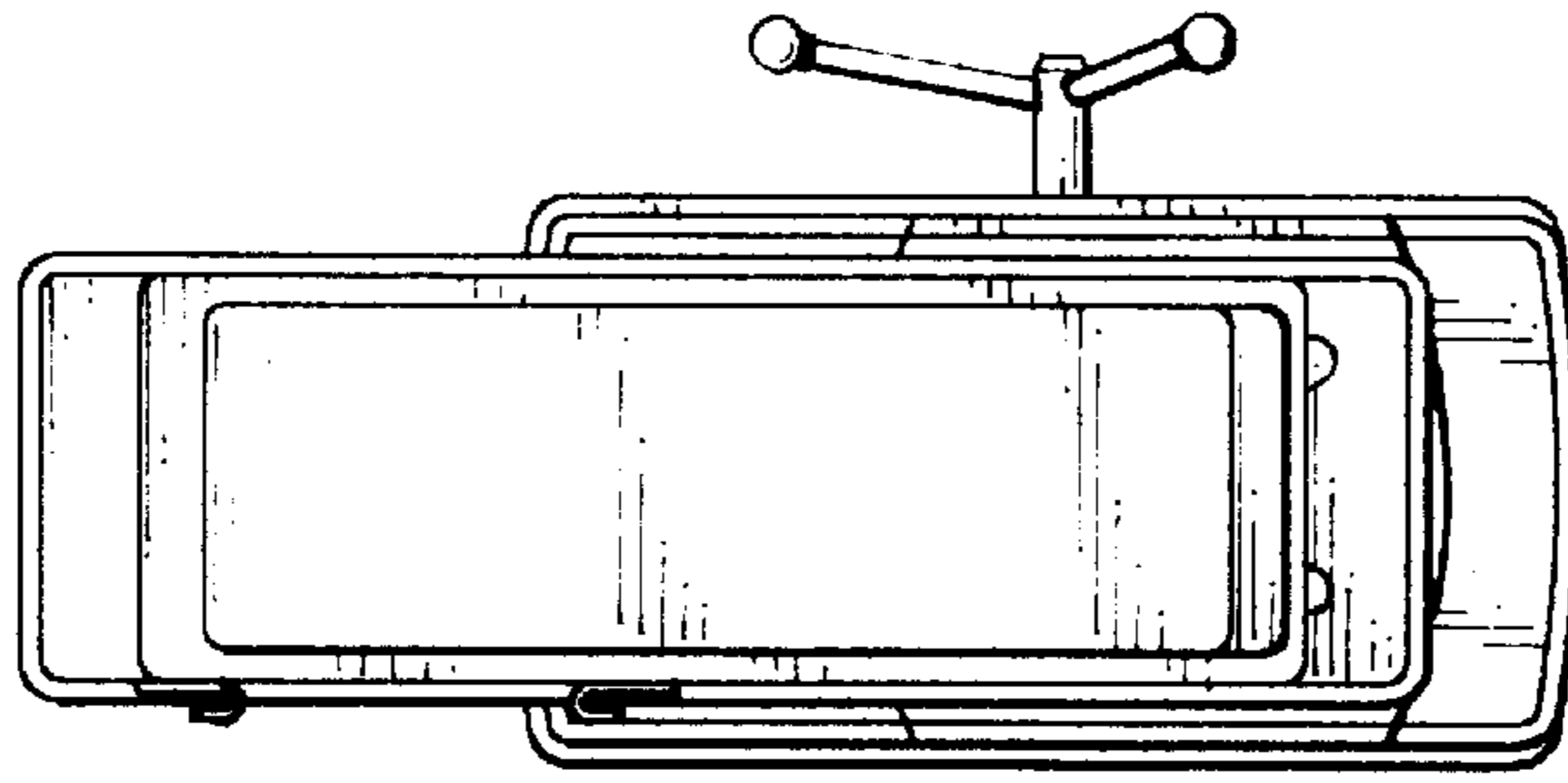


FIG. 6

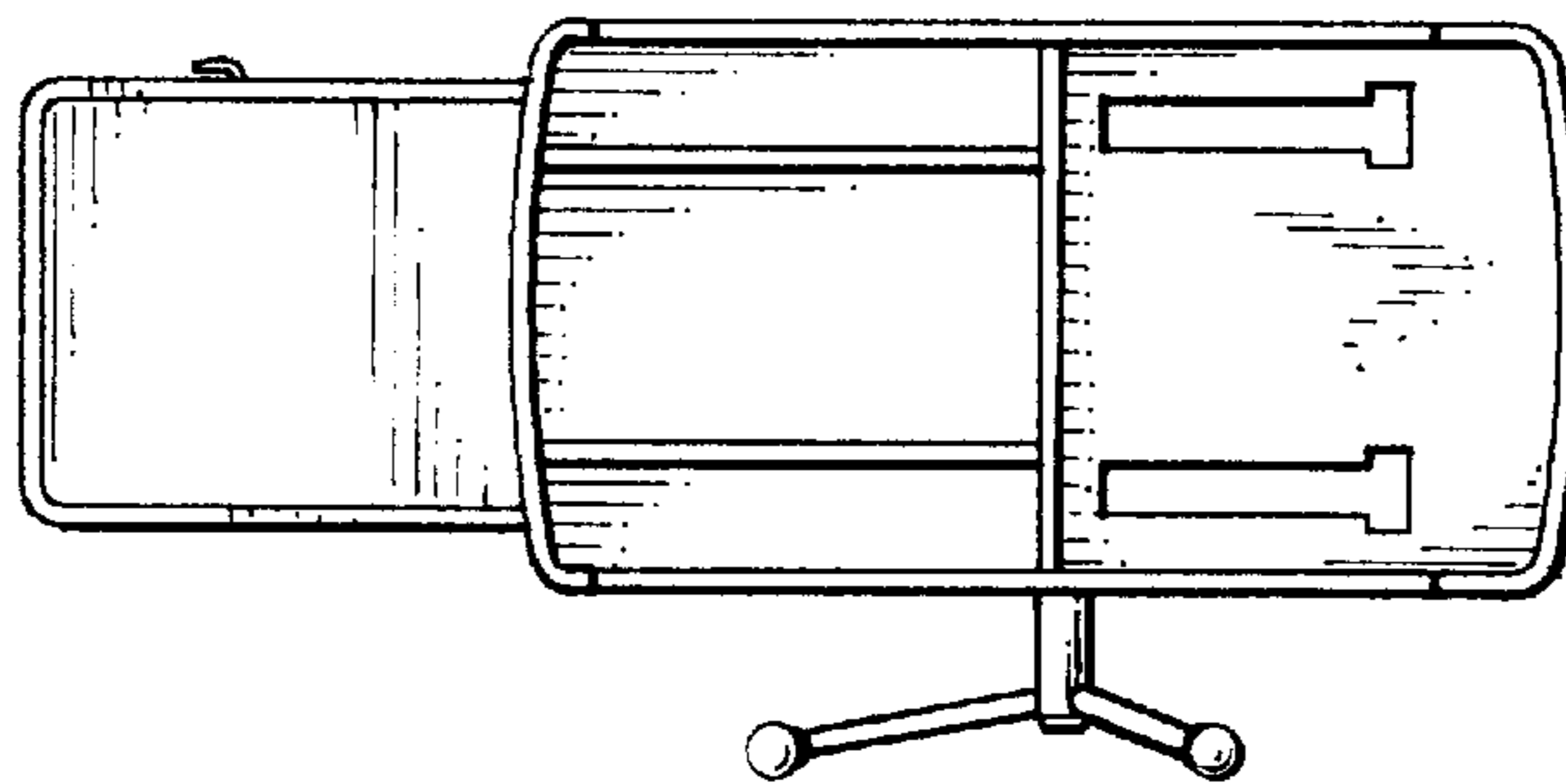


FIG. 7

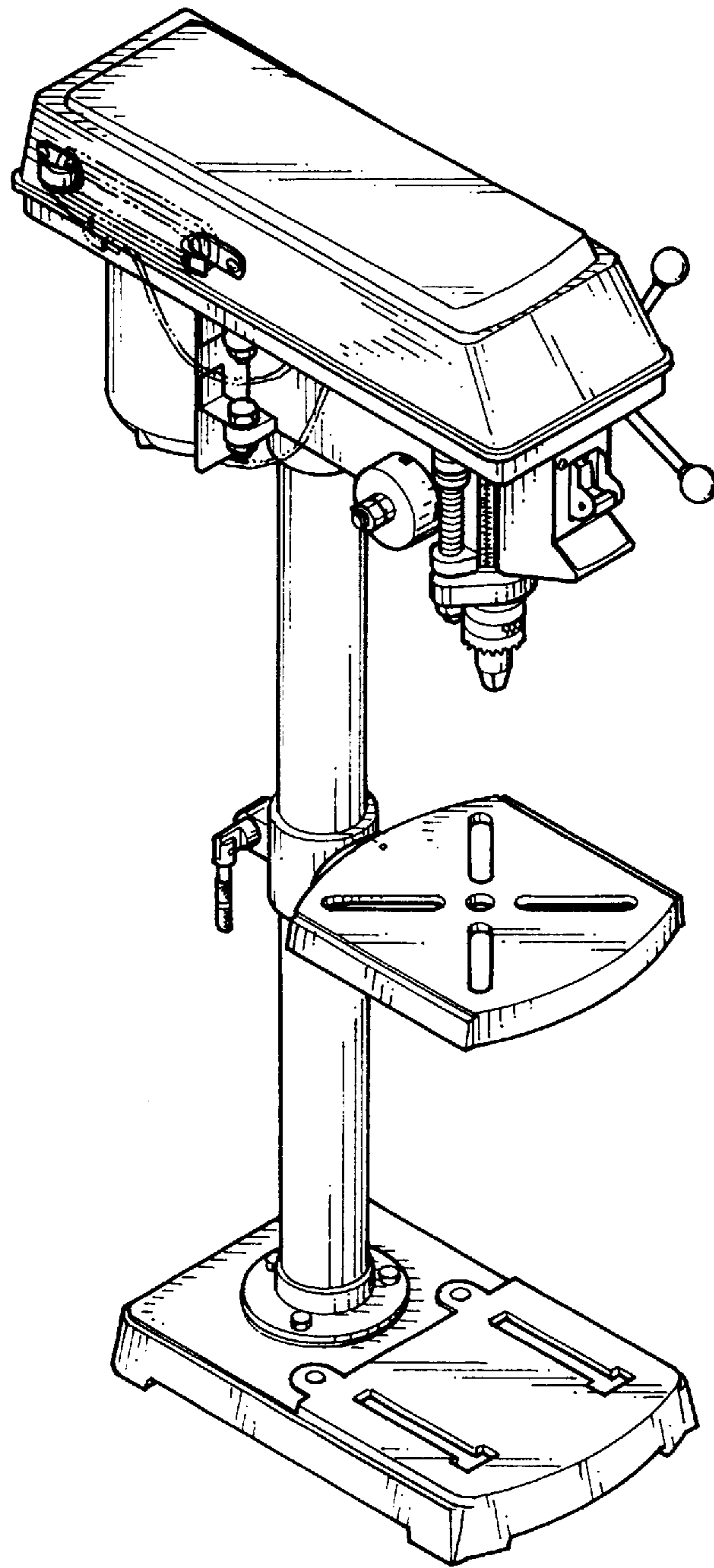


FIG. 8