



US00D401944S

United States Patent [19]
Campbell

[11] **Patent Number: Des. 401,944**

[45] **Date of Patent: **Dec. 1, 1998**

[54] **INTEGRATED HOUSING FOR A PUMP OR SIMILAR ARTICLE**

D. 395,317 6/1998 Karlson et al. D15/7
3,685,926 8/1972 Blum 417/423.3

[75] Inventor: **Robert F. Campbell**, Atlanta, Ga.

Primary Examiner—Ralf Seifert
Attorney, Agent, or Firm—Jones, Day, Reavis & Pogue

[73] Assignee: **Campbell Hausfeld/Scott Fetzer Company**, Harrison, Ohio

[57] **CLAIM**

[**] Term: **14 Years**

I claim the ornamental design for an integrated housing for a pump or similar article, as shown and described.

[21] Appl. No.: **85,527**

DESCRIPTION

[22] Filed: **Mar. 25, 1998**

FIG. 1 is a top perspective view of the integrated housing embodying the subject invention;
FIG. 2 is a front view thereof;
FIG. 3 is a rear view thereof;
FIG. 4 is a side view thereof;
FIG. 5 is a top view thereof; and,
FIG. 6 is a bottom view thereof.

[51] **LOC (6) Cl.** **15-02**

[52] **U.S. Cl.** **D15/7**

[58] **Field of Search** D15/7-9; 417/424, 417/423.3, 38-40, 234, 410, 411

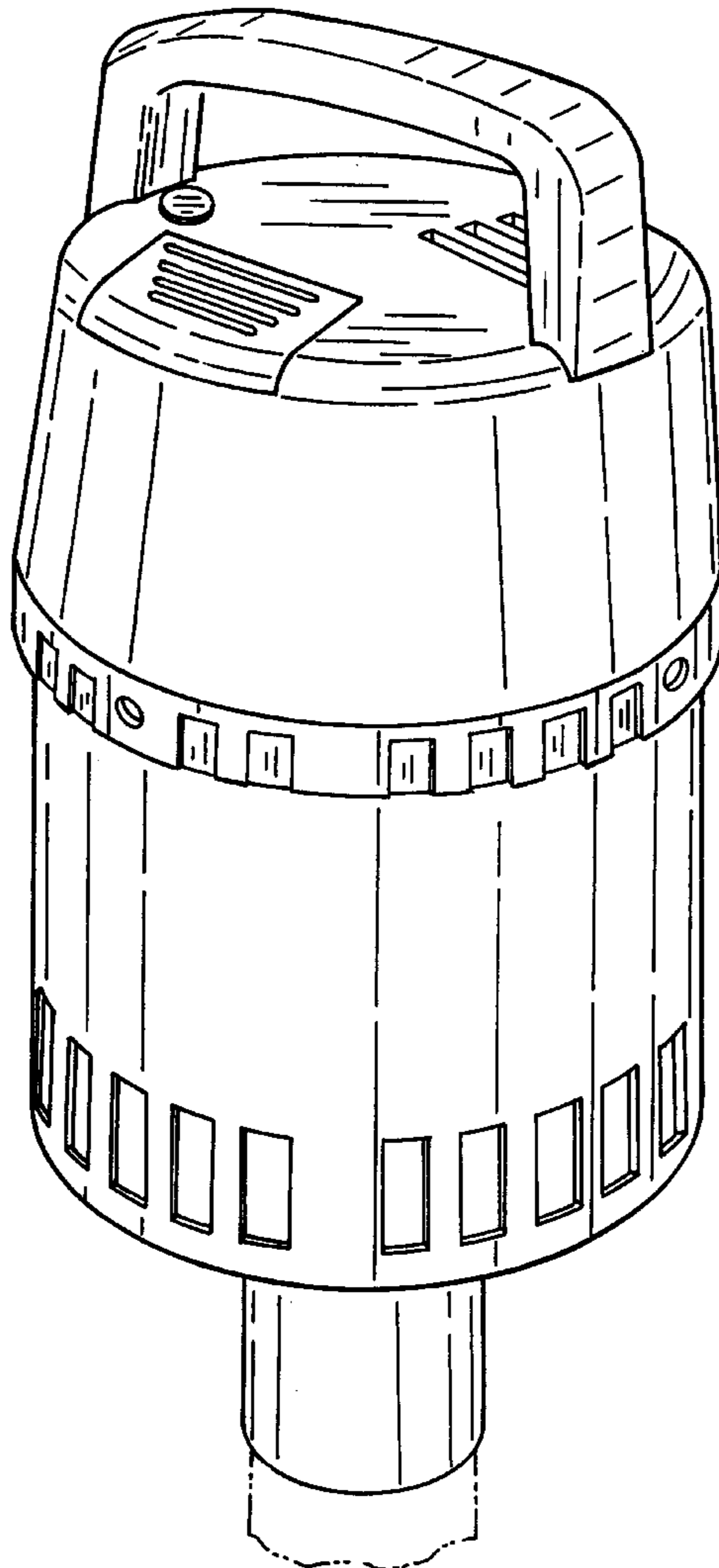
The broken line showing of a partial shaft in FIG. 1, is for illustrative purposes only and forms no part of the claimed design.

[56] **References Cited**

U.S. PATENT DOCUMENTS

- D. 229,783 1/1974 Campbell et al. D15/7
- D. 236,756 9/1975 Franzen D15/7
- D. 237,011 9/1975 Stroberg D15/7

1 Claim, 5 Drawing Sheets



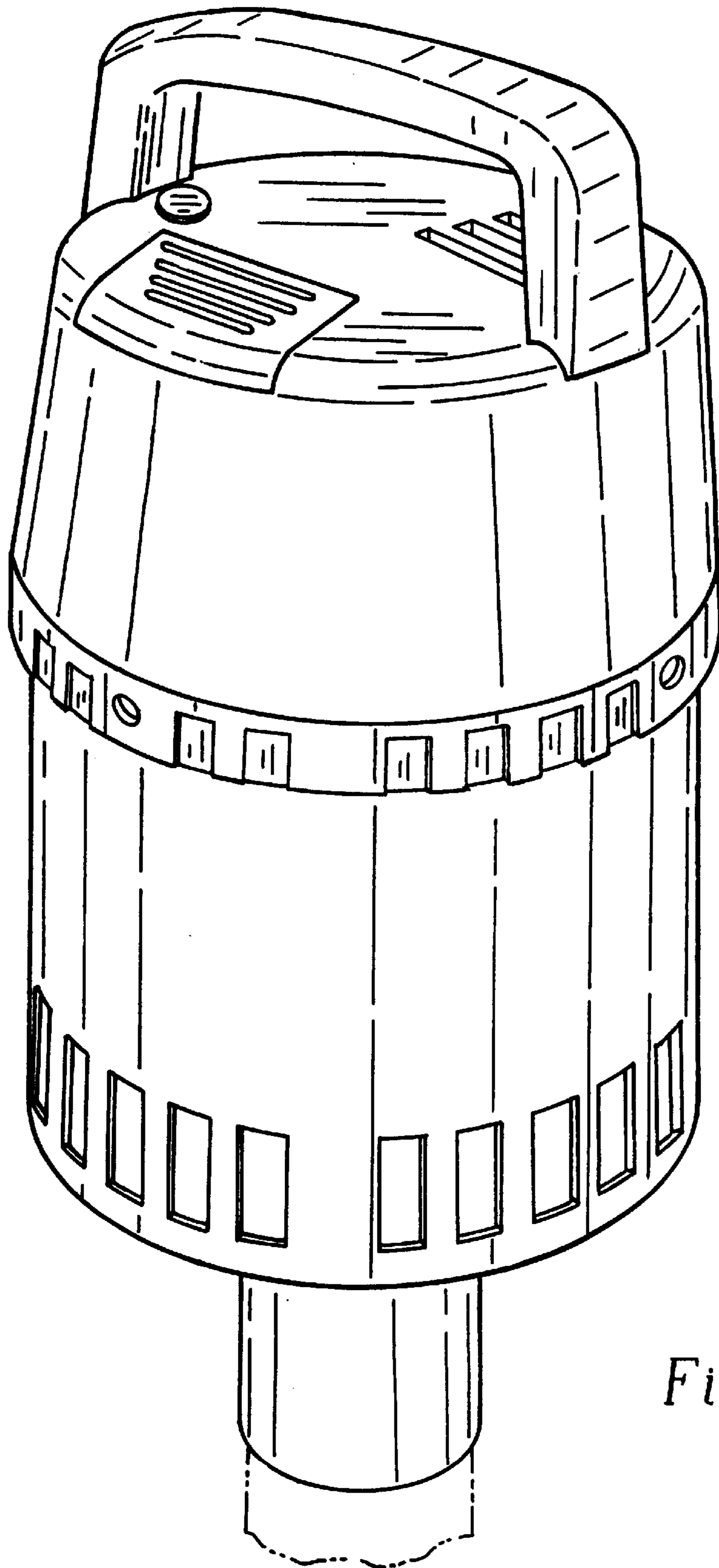


Fig. 1

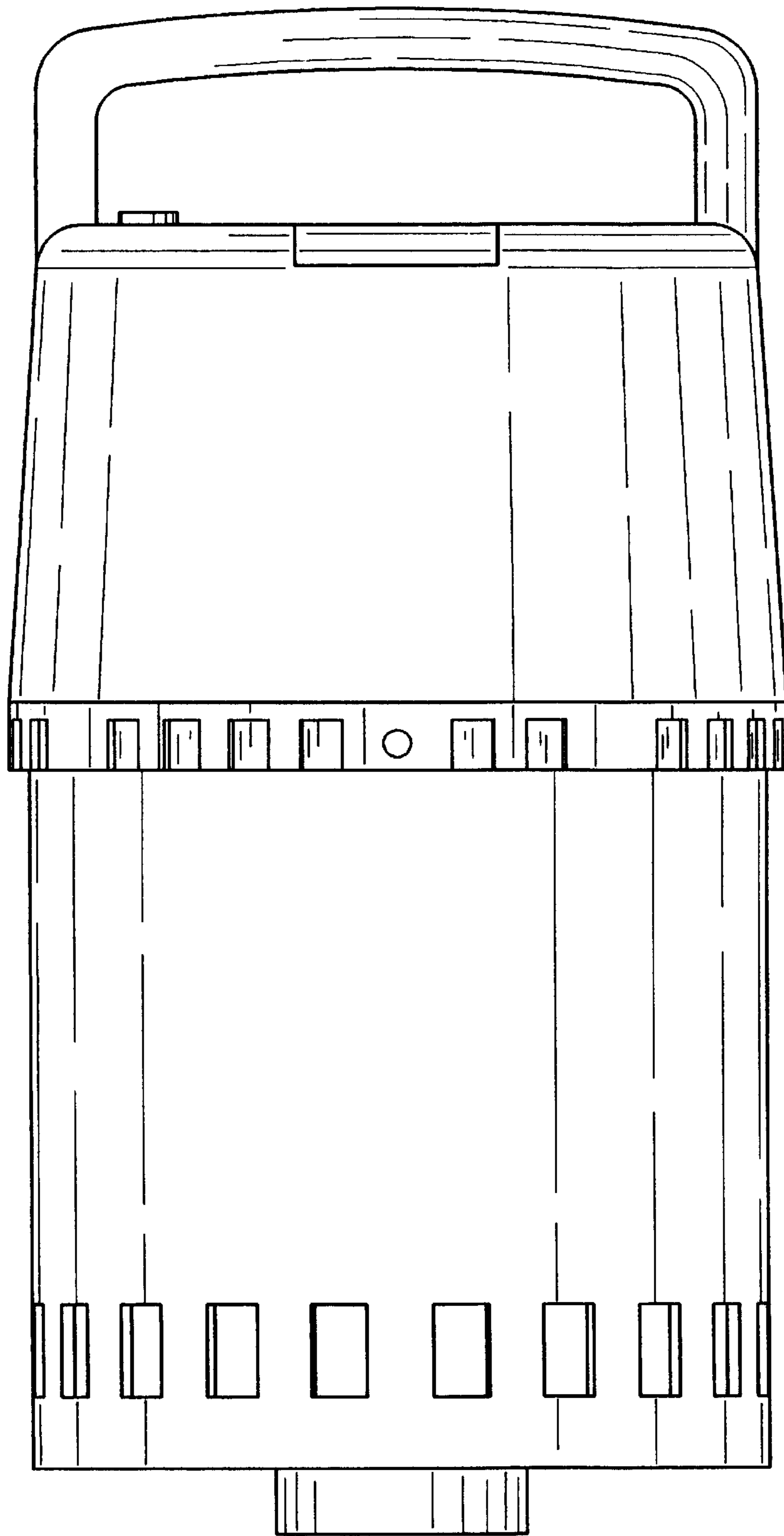


Fig. 2

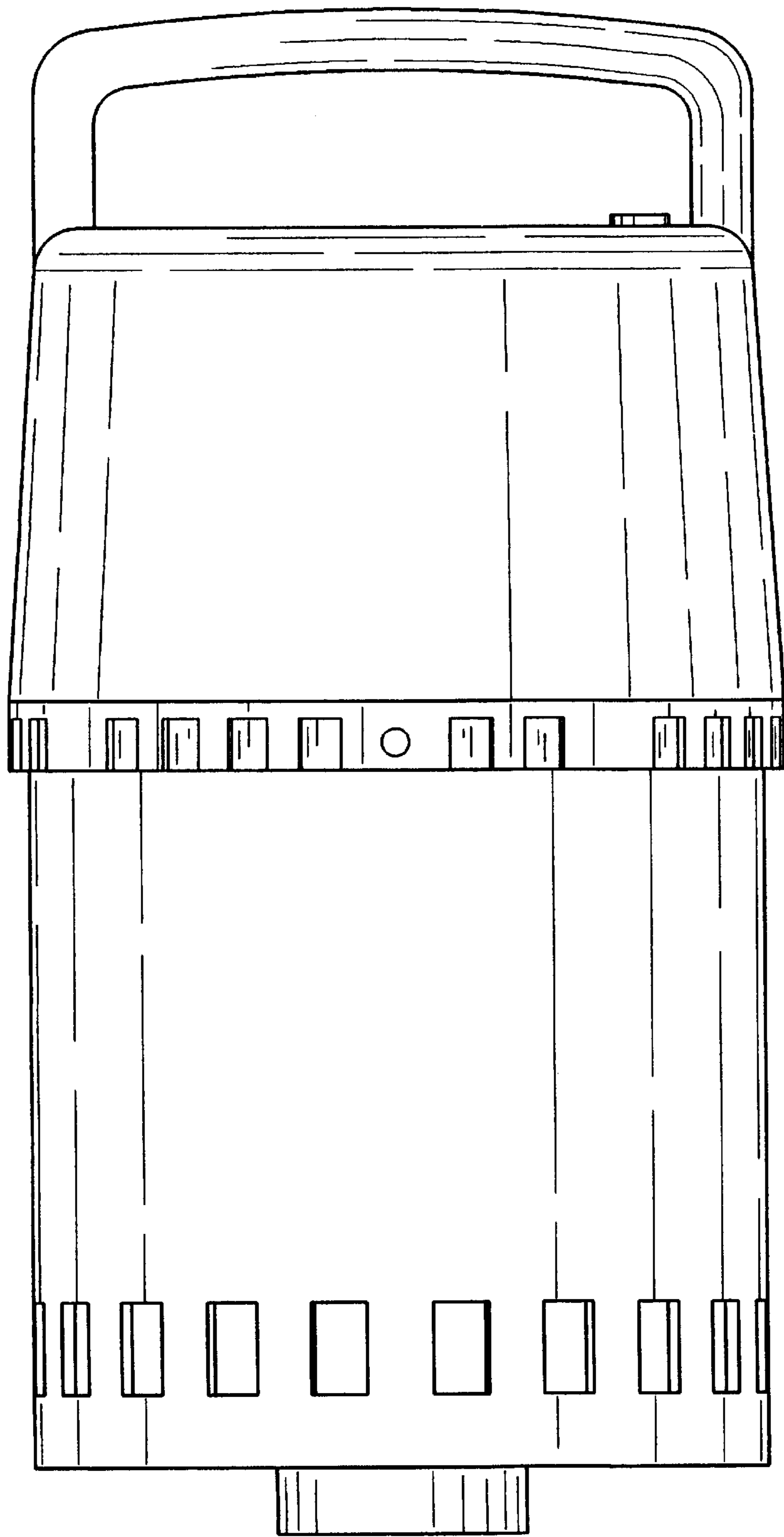


Fig. 3

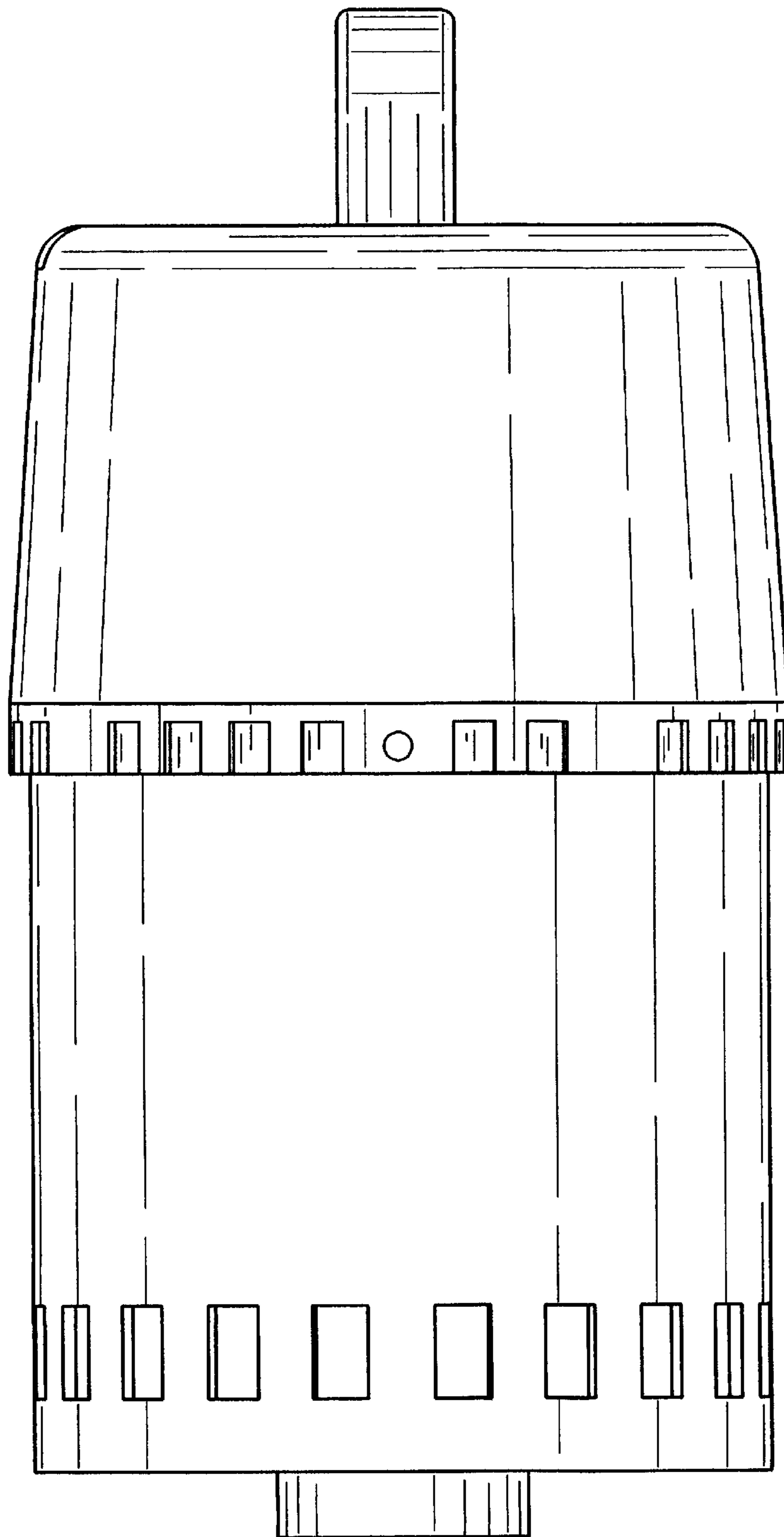


Fig. 4

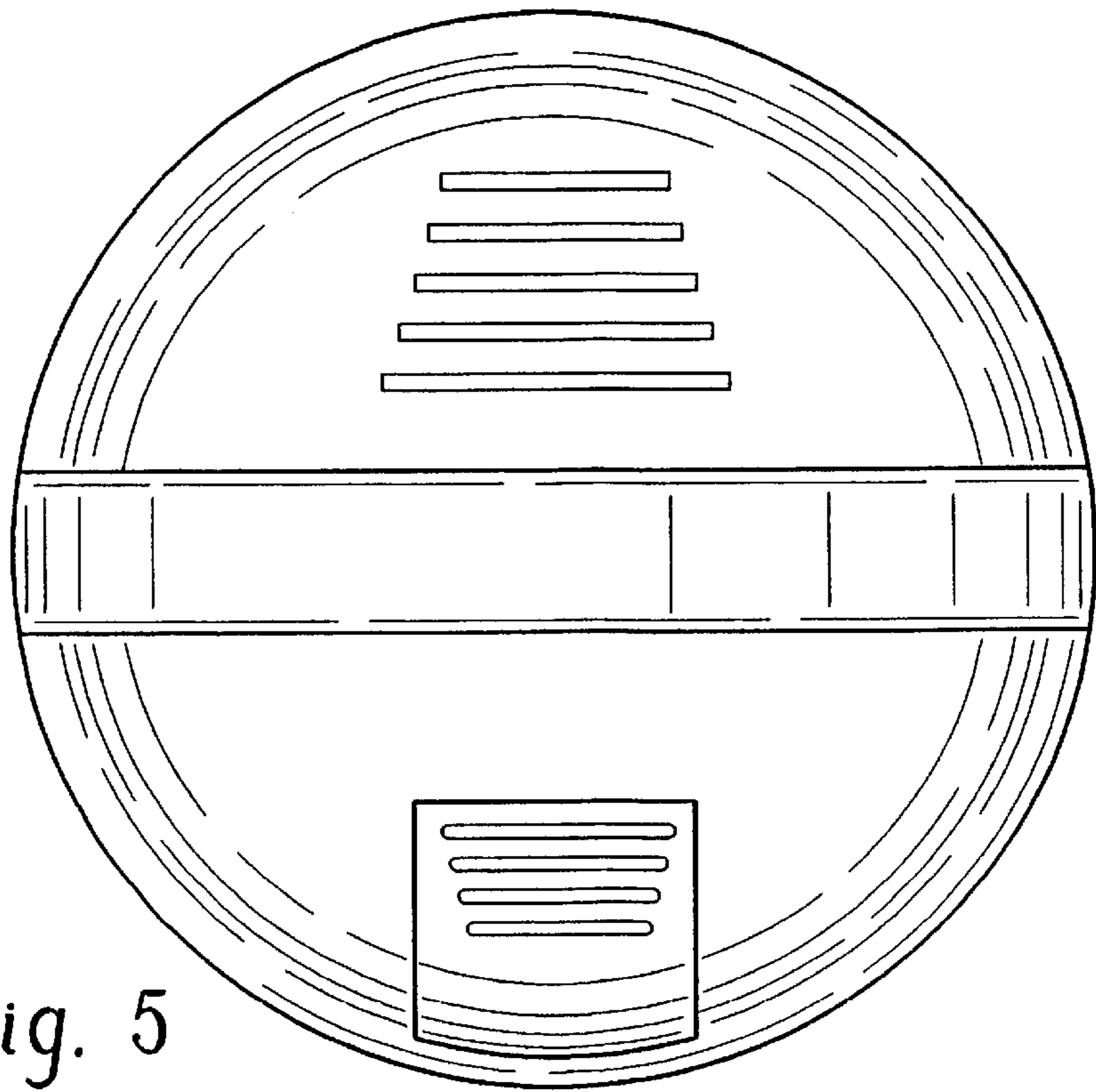


Fig. 5

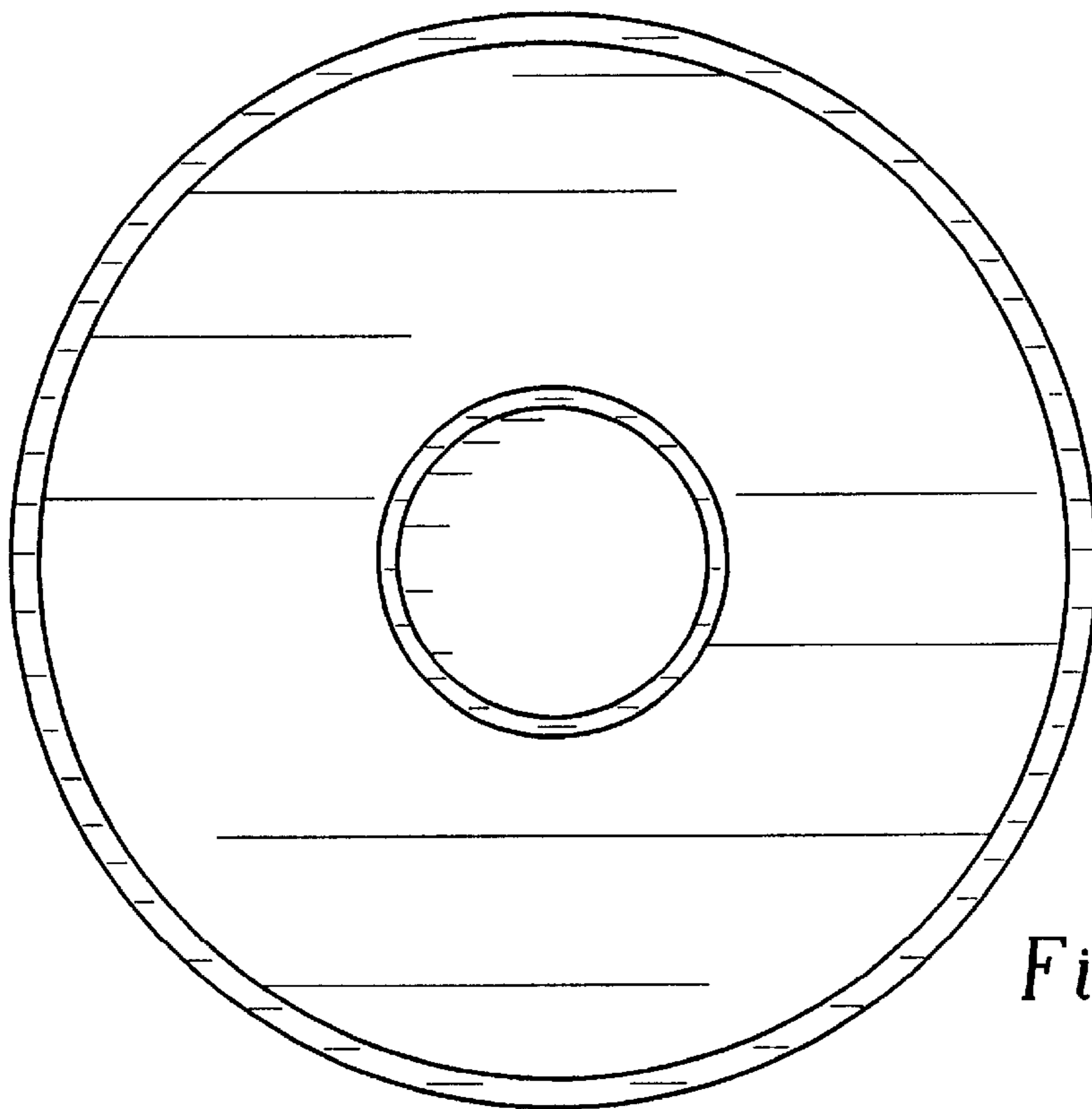


Fig. 6