



US00D401941S

United States Patent [19] Slappey

[11] **Patent Number: Des. 401,941**

[45] **Date of Patent: **Dec. 1, 1998**

[54] **PHONE HOLDING BRACKET FOR HEAD-MOUNTING OF A PHONE**

3,091,670 5/1963 Hall D14/253 X
4,048,453 9/1977 Seidel 379/455

[76] Inventor: **Arnold R. Slappey**, 2041 Sitsler La.,
College Park, Ga. 30349

[**] Term: **14 Years**

[21] Appl. No.: **57,143**

[22] Filed: **Aug. 15, 1996**

[51] **LOC (6) Cl. 14-03**

[52] **U.S. Cl. D14/253; D8/72; D14/223**

[58] **Field of Search D14/140, 142,
D14/240, 251, 253, 205, 206, 223, 138;
D8/394, 72; 379/454, 455, 430, 419, 420,
428, 440; 455/90; 381/183**

[56] **References Cited**

U.S. PATENT DOCUMENTS

D. 235,612	7/1975	Daniels	D8/72
D. 277,165	1/1985	Devroom	D8/72
D. 299,643	1/1989	Kubota	D14/223 X
D. 327,265	6/1992	Jasey	D14/138
D. 333,306	2/1993	Ferraro	D14/251
1,447,969	3/1923	Dietrich	379/430
2,487,787	11/1949	Brown	379/430

OTHER PUBLICATIONS

David Clark Co. Catalog Inc., p. 5, item H7091, Jul. 1988.

Primary Examiner—Jeffrey Asch
Attorney, Agent, or Firm—Isaf, Vaughan & Kerr

[57] **CLAIM**

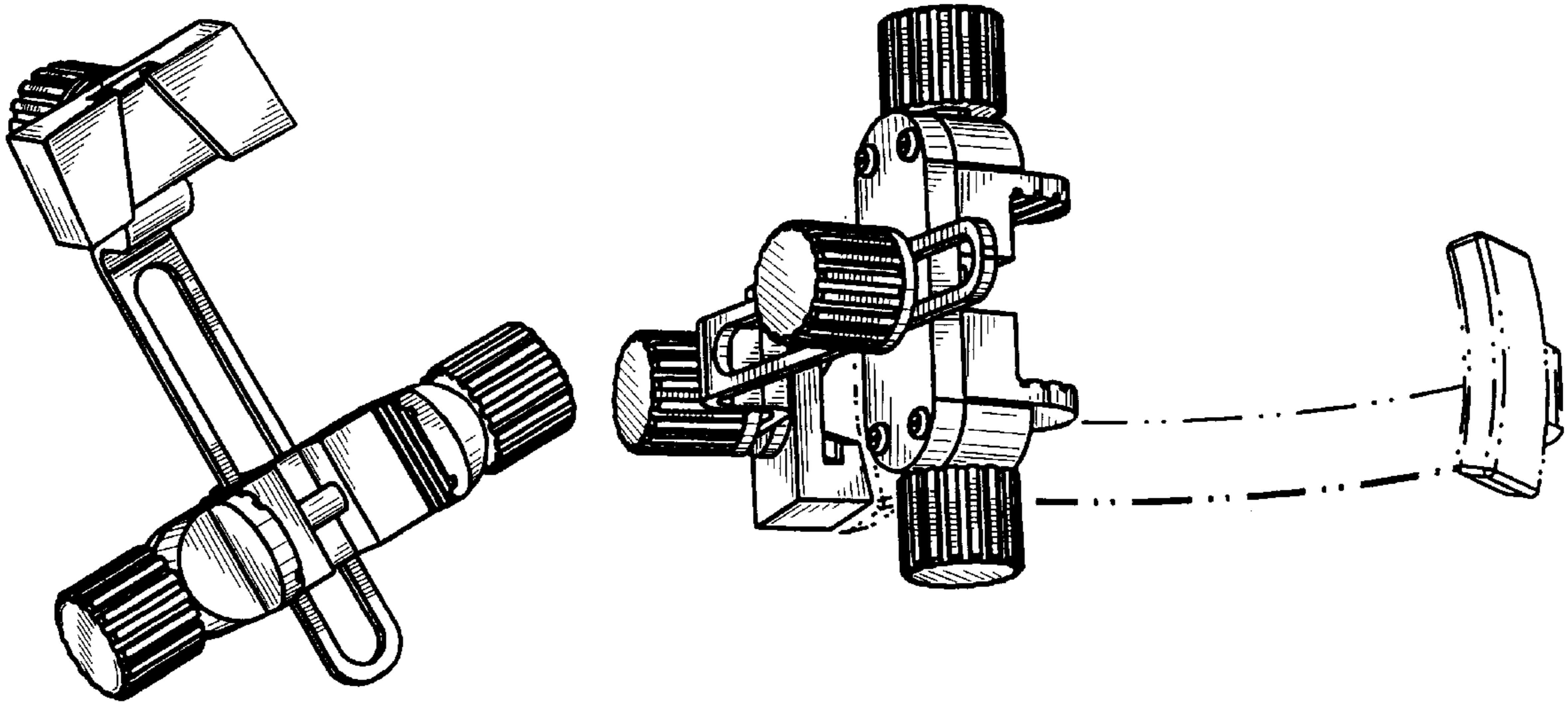
The ornamental design for a “phone holding bracket for head-mounting of a phone”, as shown and described.

DESCRIPTION

FIG. 1 is a perspective view of a phone holding bracket for head-mounting of a phone showing my new design; FIG. 2 is a front side view thereof; FIG. 3 is a left side view thereof; FIG. 4 is a right side view thereof; FIG. 5 is a top side view thereof; FIG. 6 is a bottom side view thereof; and, FIG. 7 is a rear side view thereof.

The broken line showings throughout the views are for illustrative purposes only and form no part of the claimed design.

1 Claim, 3 Drawing Sheets



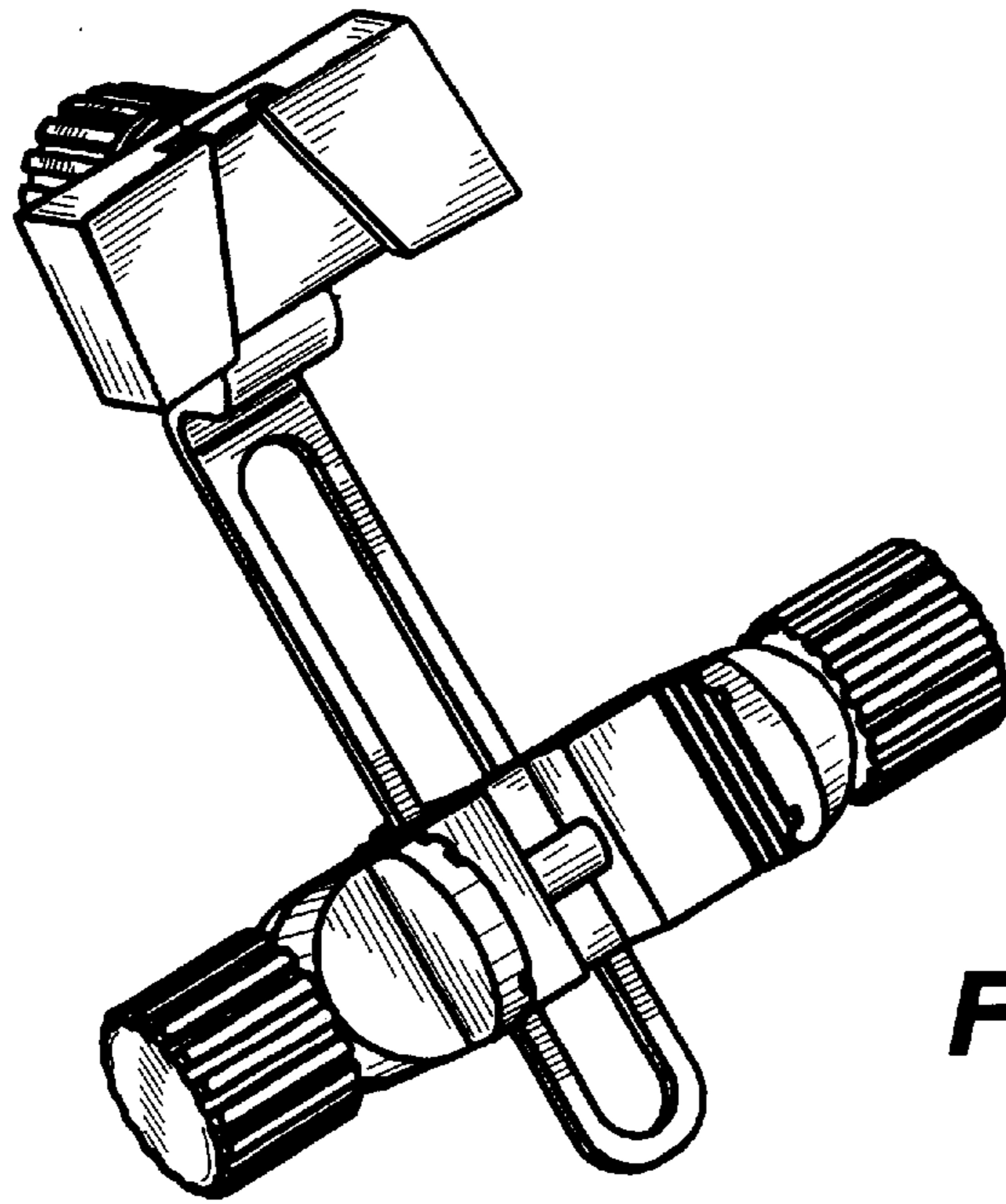


FIG. 1

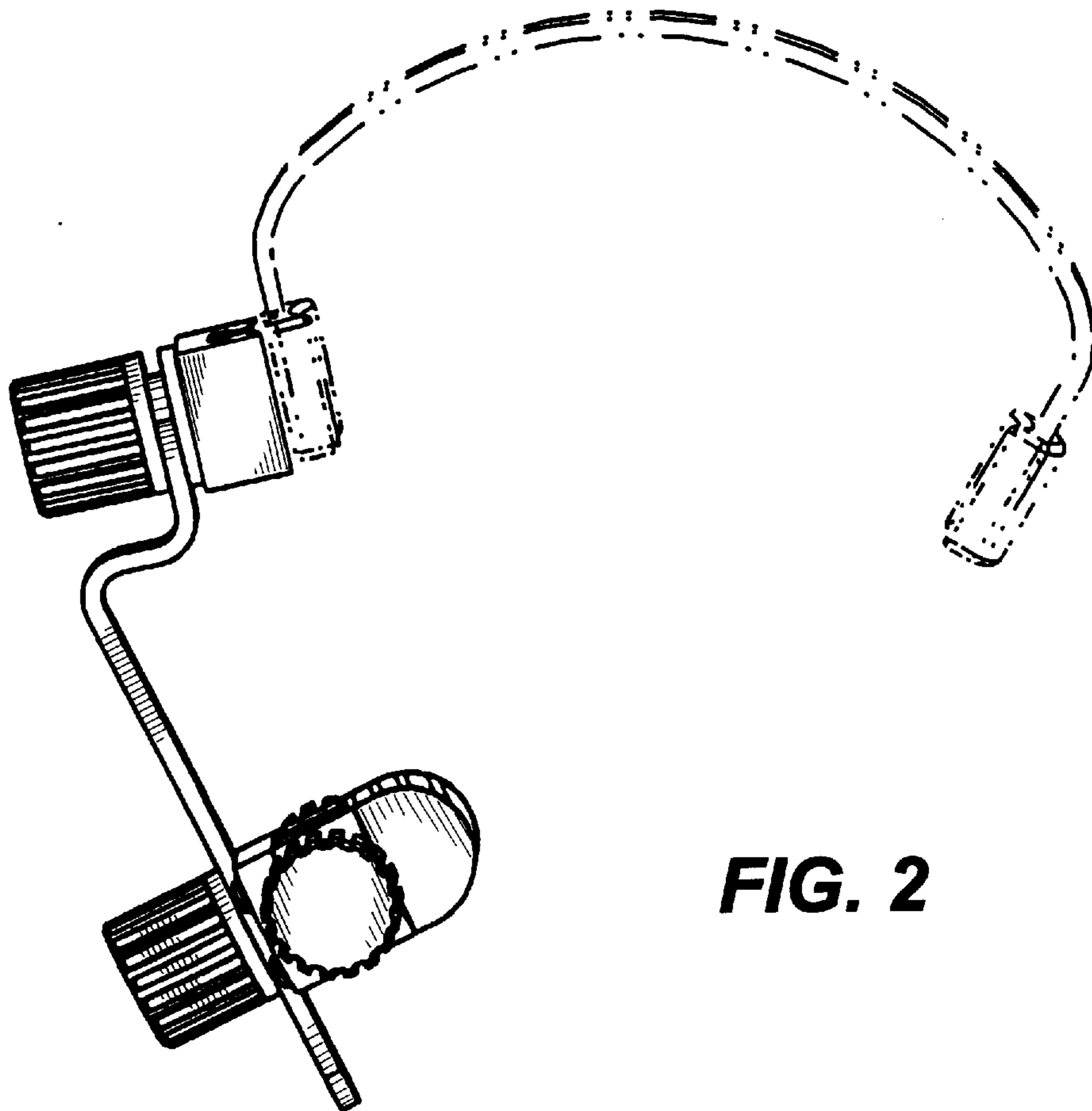


FIG. 2

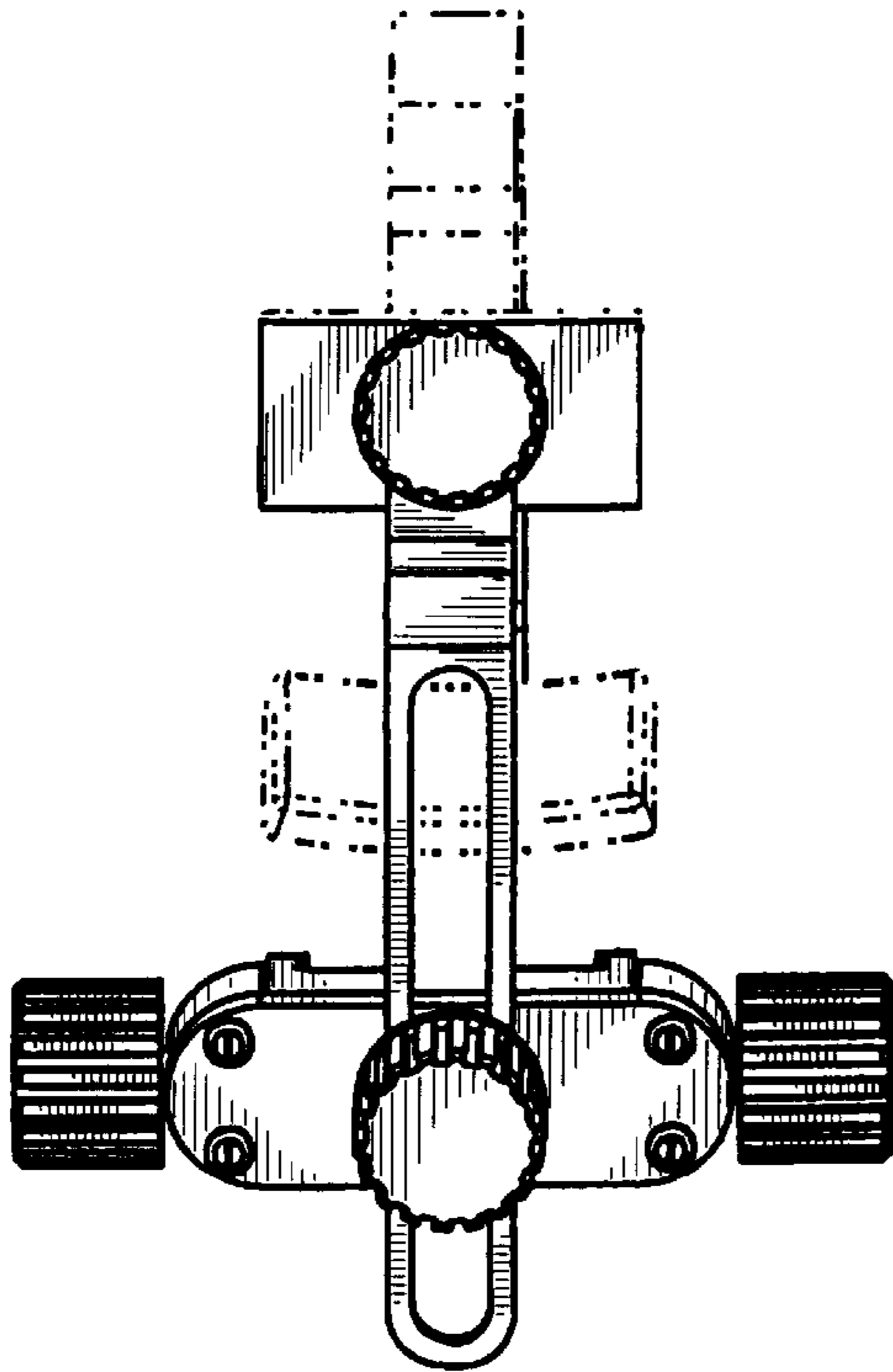


FIG. 3

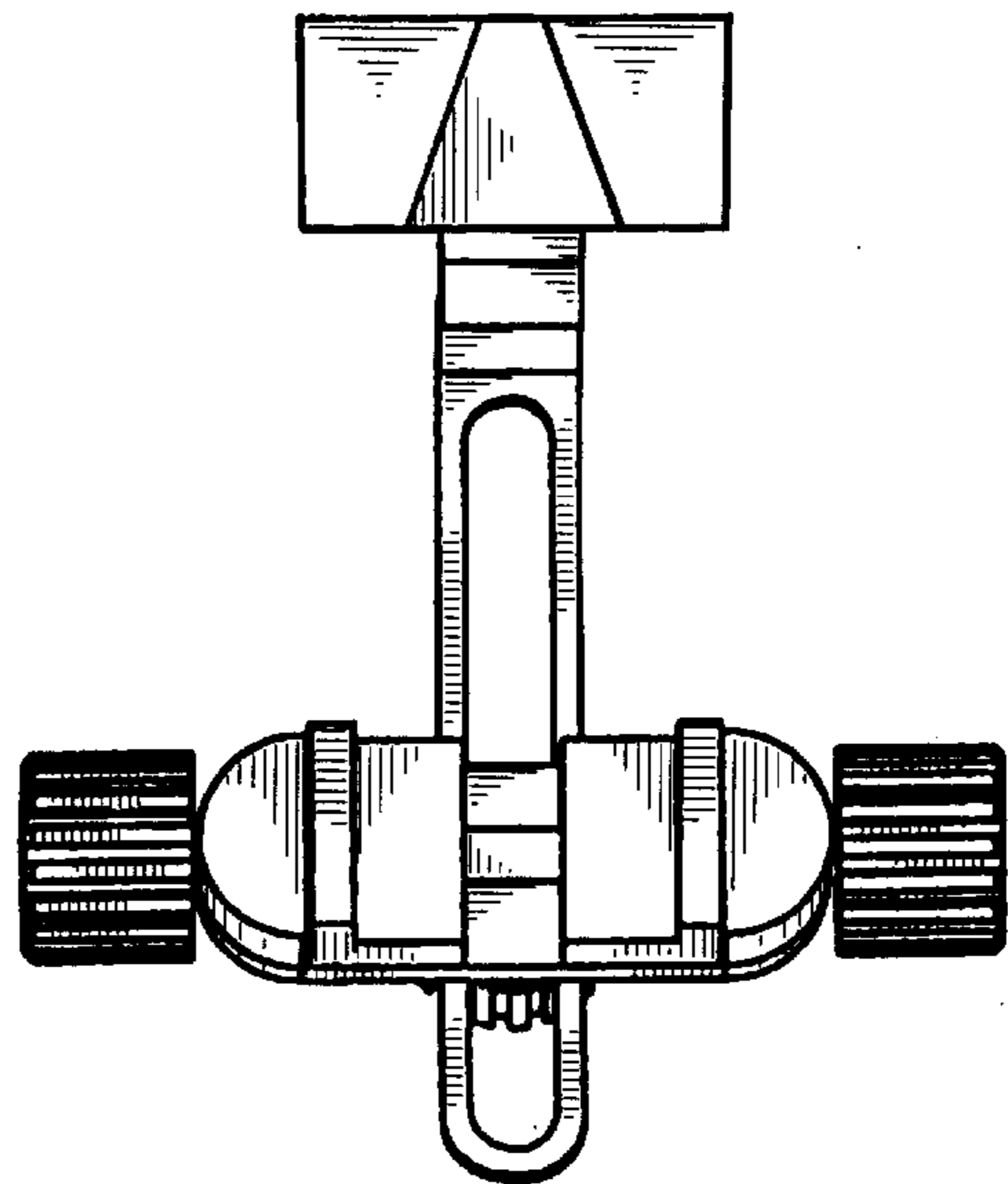


FIG. 4

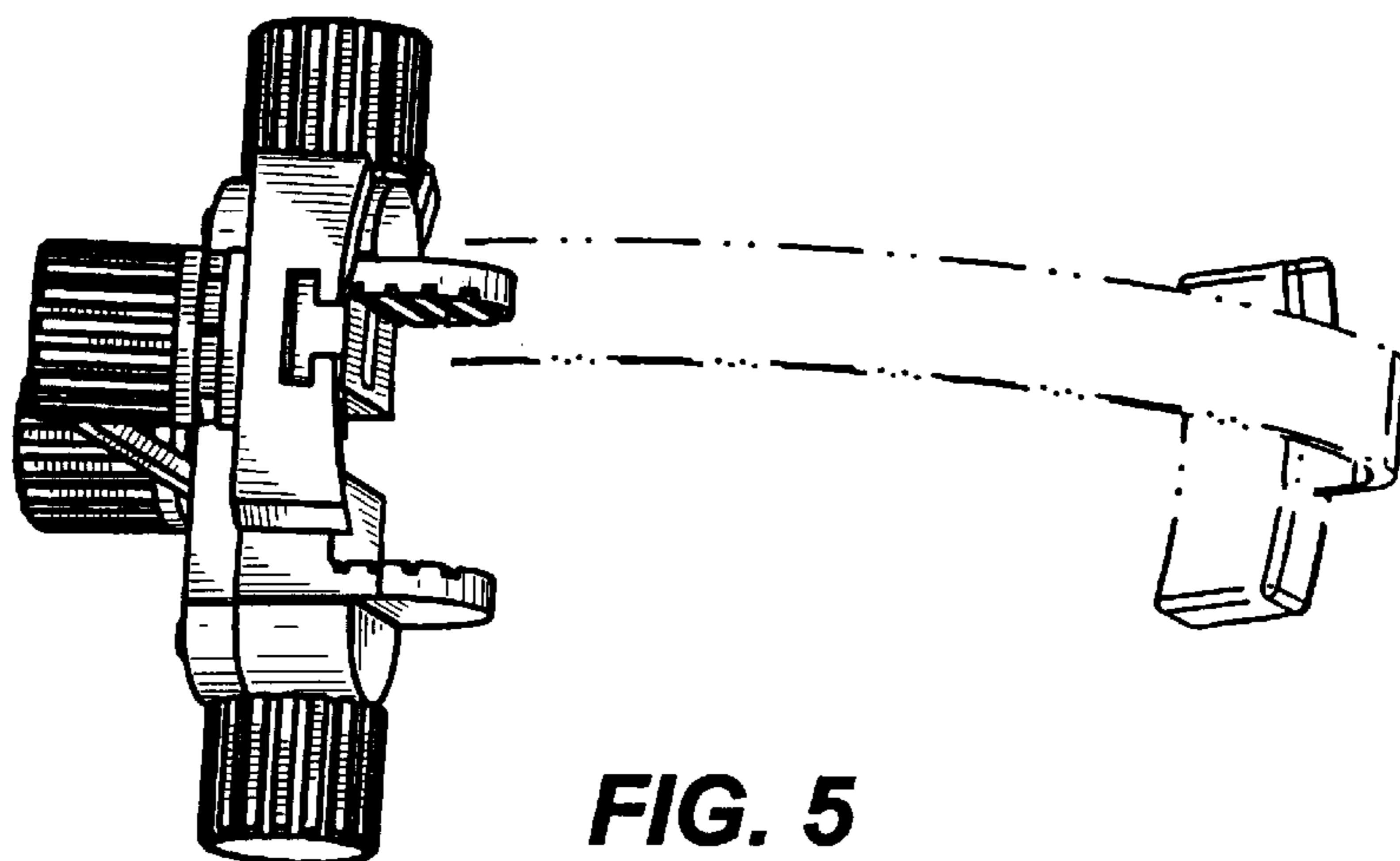


FIG. 5

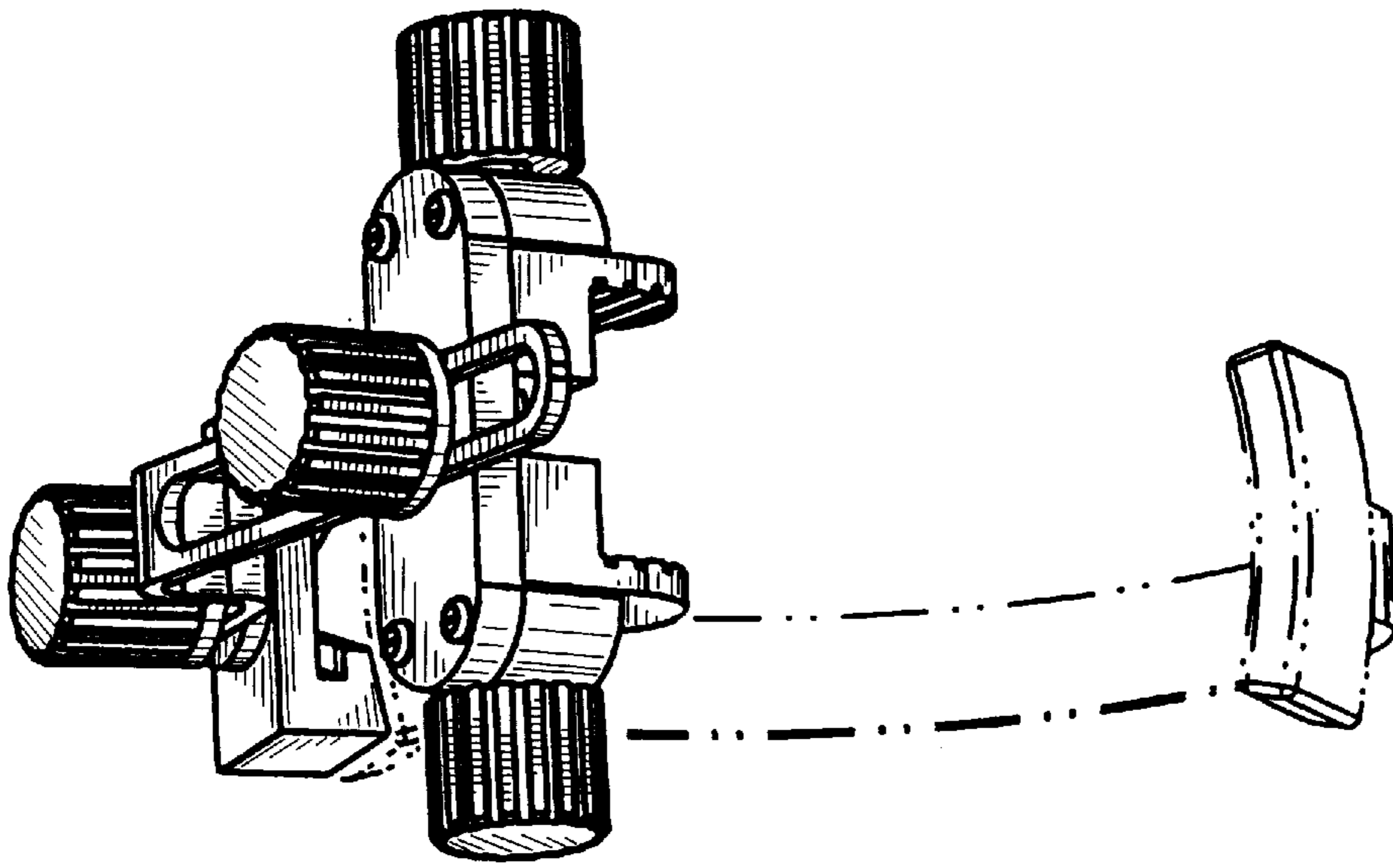


FIG. 6

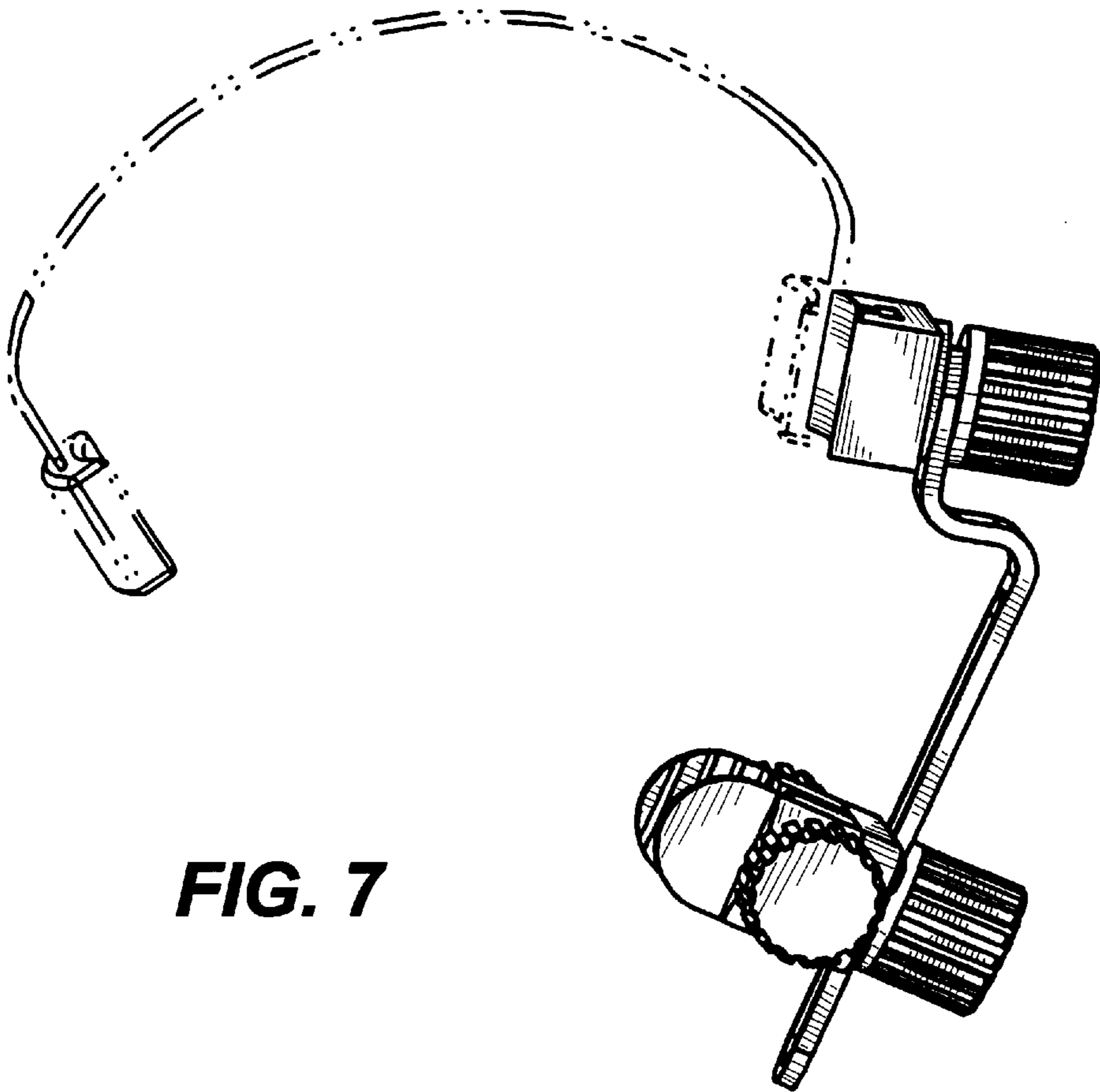


FIG. 7