



US00D401932S

**United States Patent** [19]  
**Deguchi**

[11] **Patent Number: Des. 401,932**

[45] **Date of Patent: \*\*Dec. 1, 1998**

[54] **TAPE PLAYER**

[75] Inventor: **Michio Deguchi**, Tokyo, Japan

[73] Assignee: **Sony Corporation**, Tokyo, Japan

[\*\*] Term: **14 Years**

[21] Appl. No.: **75,601**

[22] Filed: **Sep. 3, 1997**

[51] **LOC (6) Cl.** ..... **14-01**

[52] **U.S. Cl.** ..... **D14/165**

[58] **Field of Search** ..... D14/160-165,  
D14/167-168, 188, 192-194; 455/344,  
350, 351

[56] **References Cited**

**U.S. PATENT DOCUMENTS**

D. 284,280	6/1986	Mack, Jr. et al.	.....	D14/164
D. 316,263	4/1991	Sogabe	.....	D14/165
D. 317,608	6/1991	Emmerling	.....	D14/165
D. 329,431	9/1992	Wood	.....	D14/188 X

*Primary Examiner*—Ted Shooman

*Assistant Examiner*—Nanda Bondade

*Attorney, Agent, or Firm*—Foley & Lardner

[57] **CLAIM**

The ornamental design for a tape player, as shown and described.

**DESCRIPTION**

FIG. 1 is a perspective view of a first embodiment of a tape player showing my new design;

FIG. 2 is a top plan view thereof;

FIG. 3 is a left side elevational view thereof;

FIG. 4 is a front elevational view thereof;

FIG. 5 is a bottom plan view thereof;

FIG. 6 is a right side elevational view thereof;

FIG. 7 is a rear elevational view thereof;

FIG. 8 is a perspective view of a second embodiment of a tape player showing my new design;

FIG. 9 is a front elevational view of the embodiment of FIG. 8;

FIG. 10 is a rear elevational view of the embodiment of FIG. 8, the rest of views of the embodiment of FIG. 8 is the same as those of the embodiment of FIG. 1;

FIG. 11 is a perspective view of a third embodiment of a tape player showing my new design;

FIG. 12 is a top plan view of the embodiment of FIG. 11;

FIG. 13 is a left side elevational view of the embodiment of FIG. 11;

FIG. 14 is a front elevational view of the embodiment of FIG. 11;

FIG. 15 is a bottom plan view of the embodiment of FIG. 11;

FIG. 16 is a right side elevational view of the embodiment of FIG. 11;

FIG. 17 is a rear elevational view of the embodiment of FIG. 11; and,

FIG. 18 is a rear perspective view of the embodiment of FIG. 11, wherein the cover portion is in the open position; the broken line showing of the inside of the tape player is for illustrative purposes only and forms no part of the claimed design.

**1 Claim, 9 Drawing Sheets**

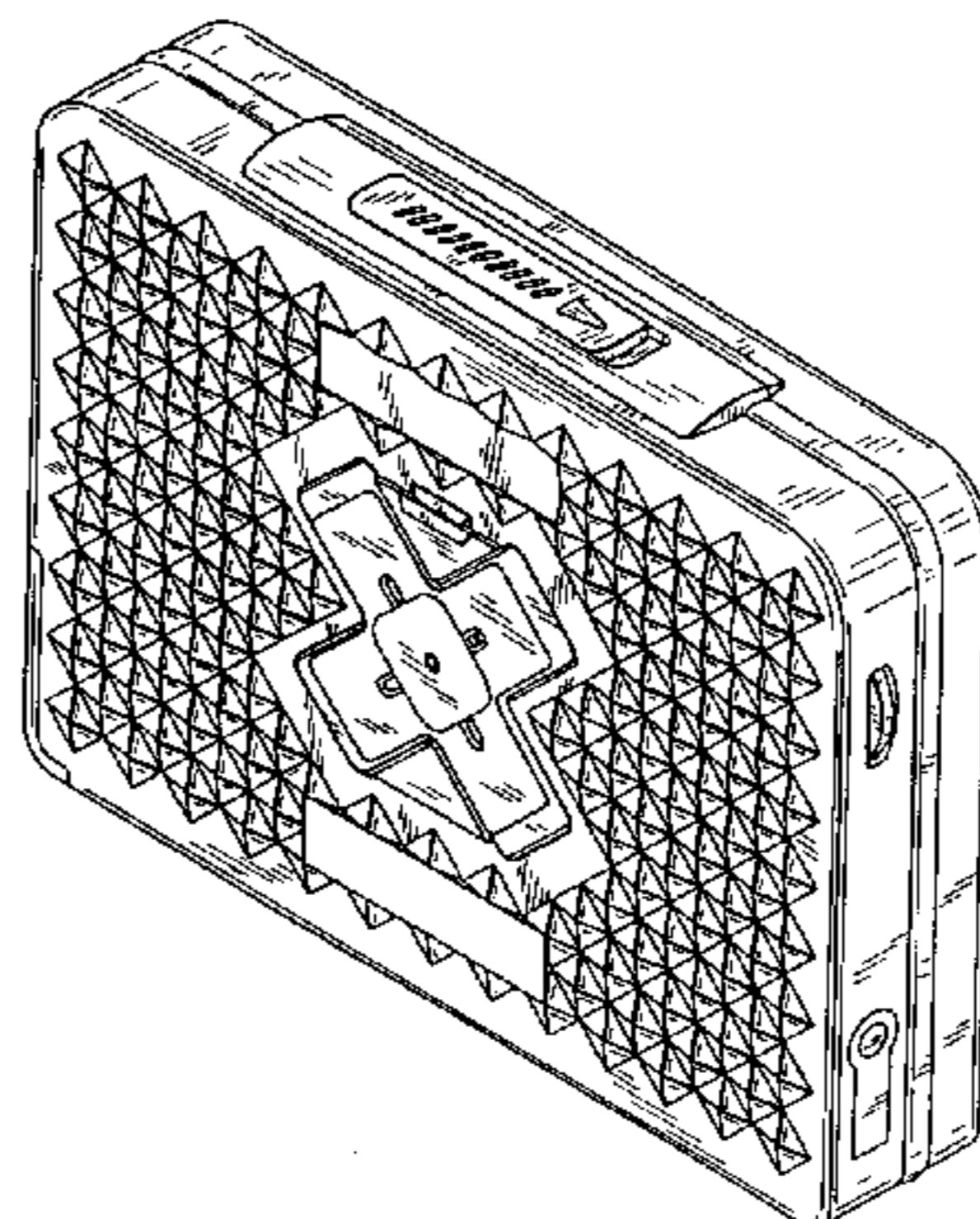
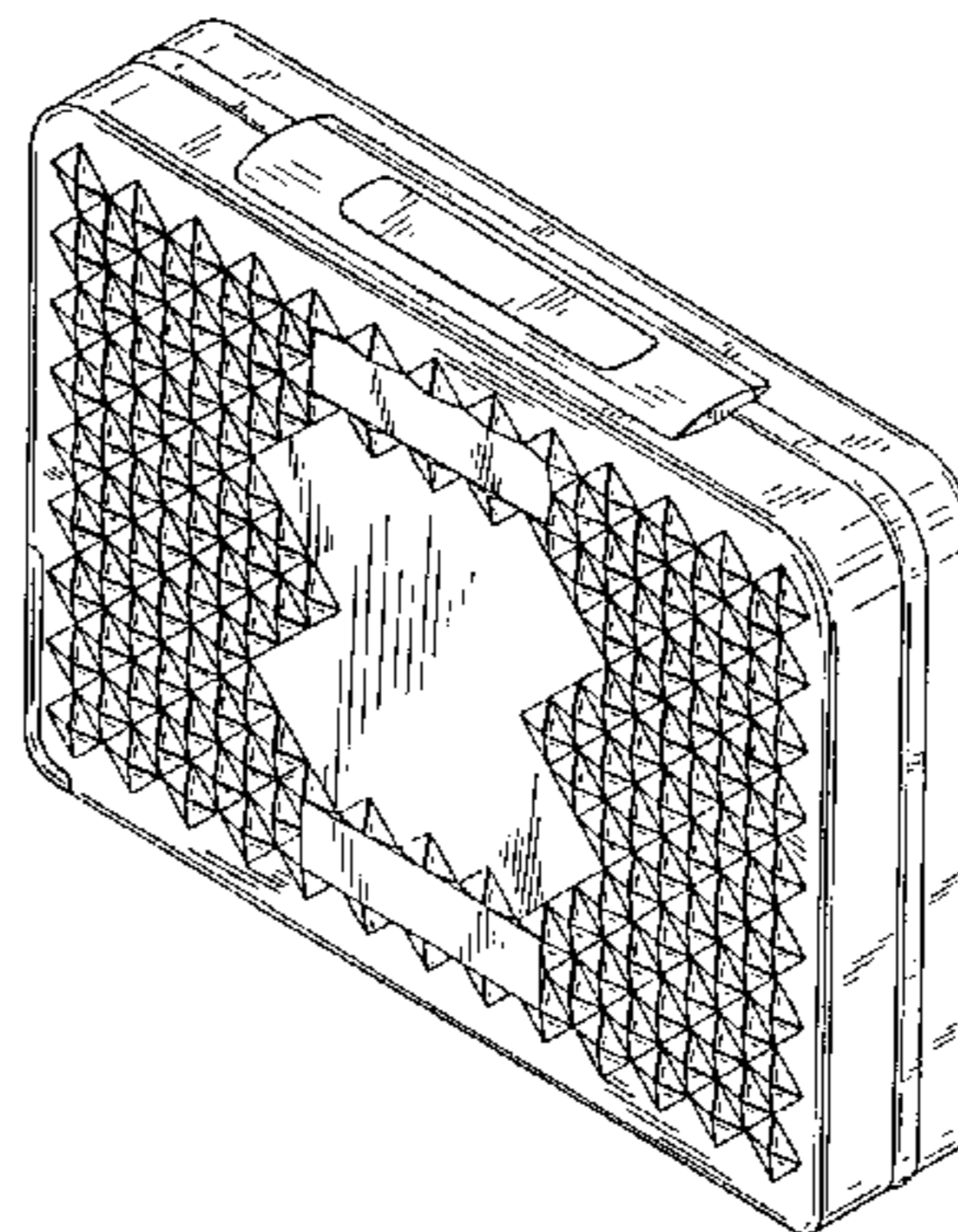
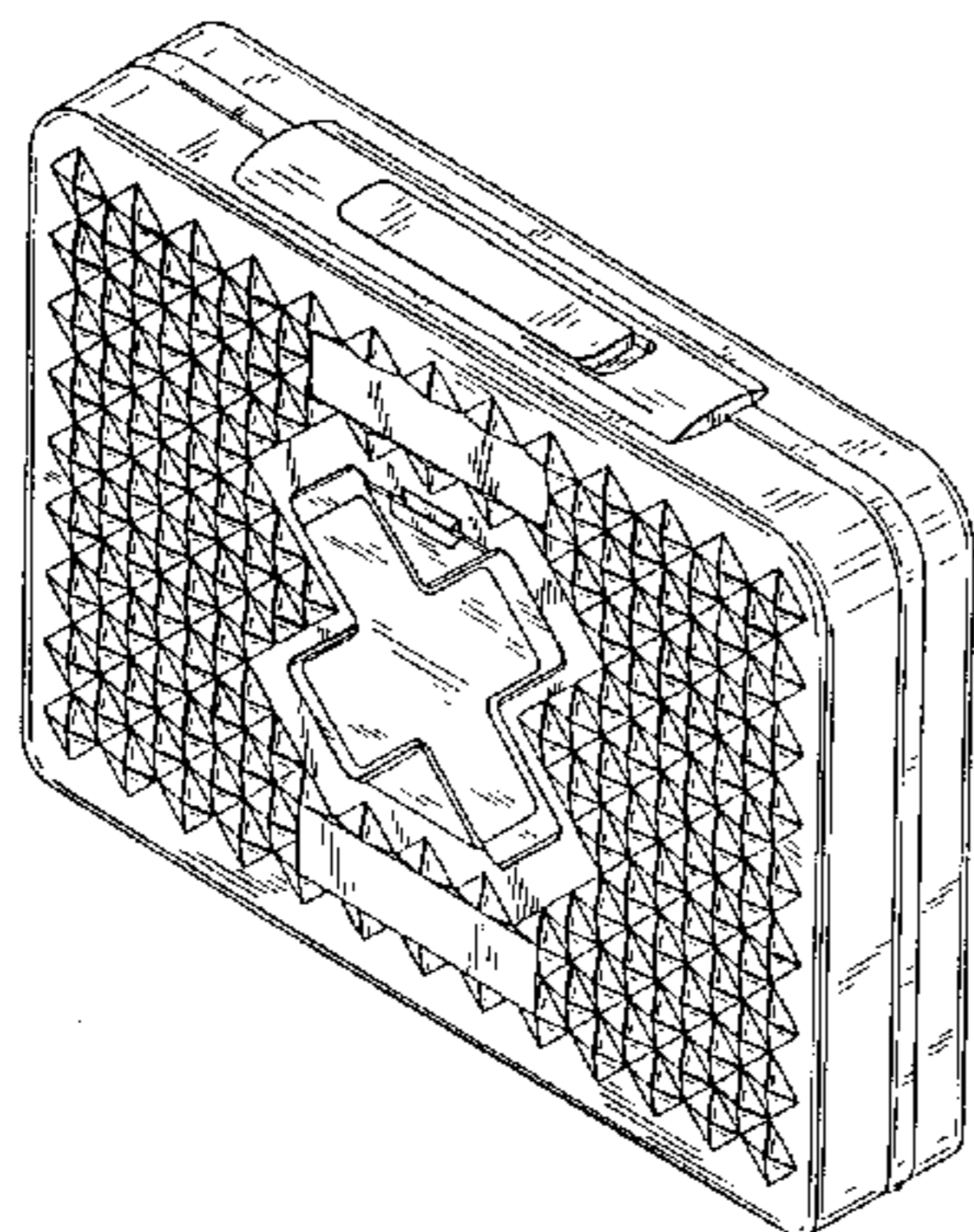


FIG. 1

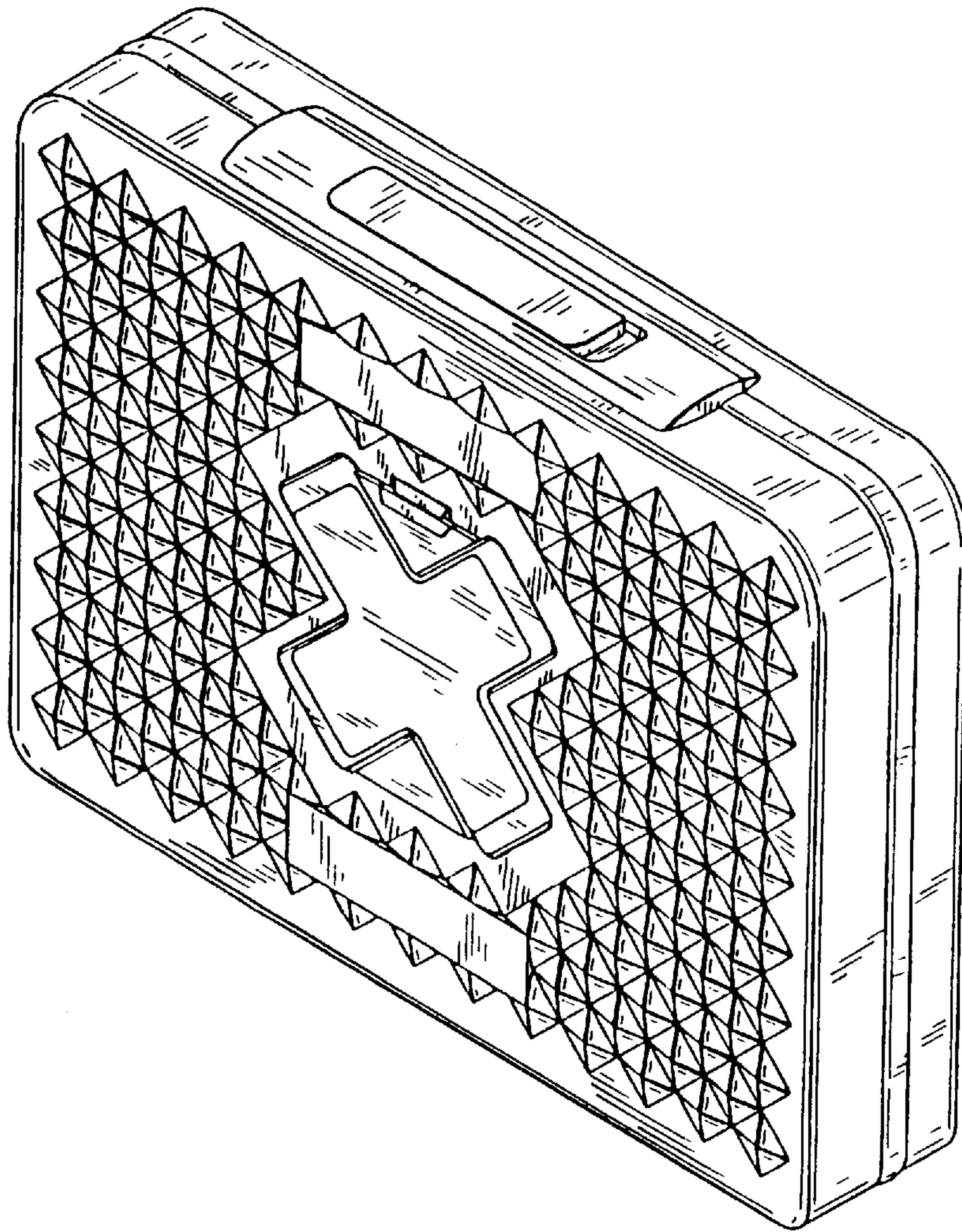


FIG. 2

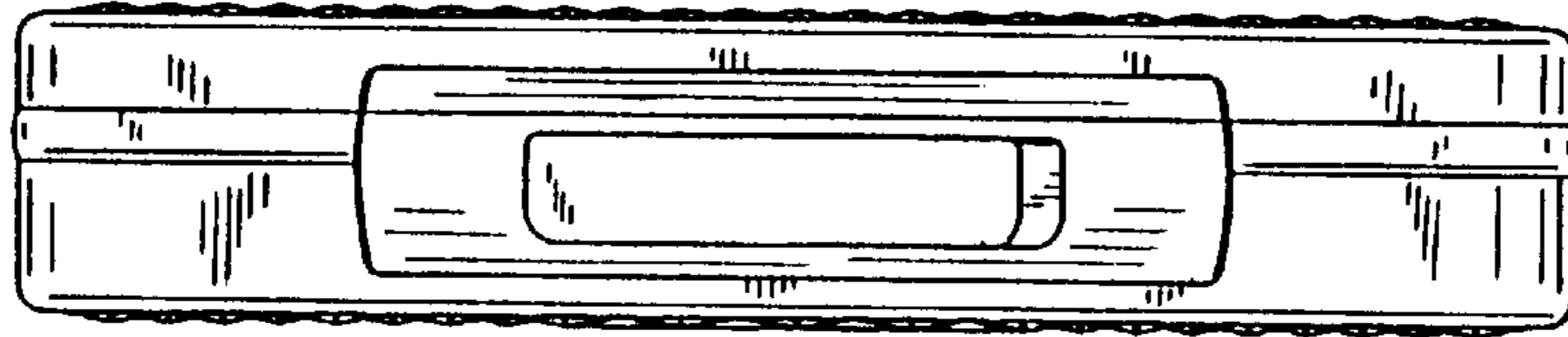


FIG. 3

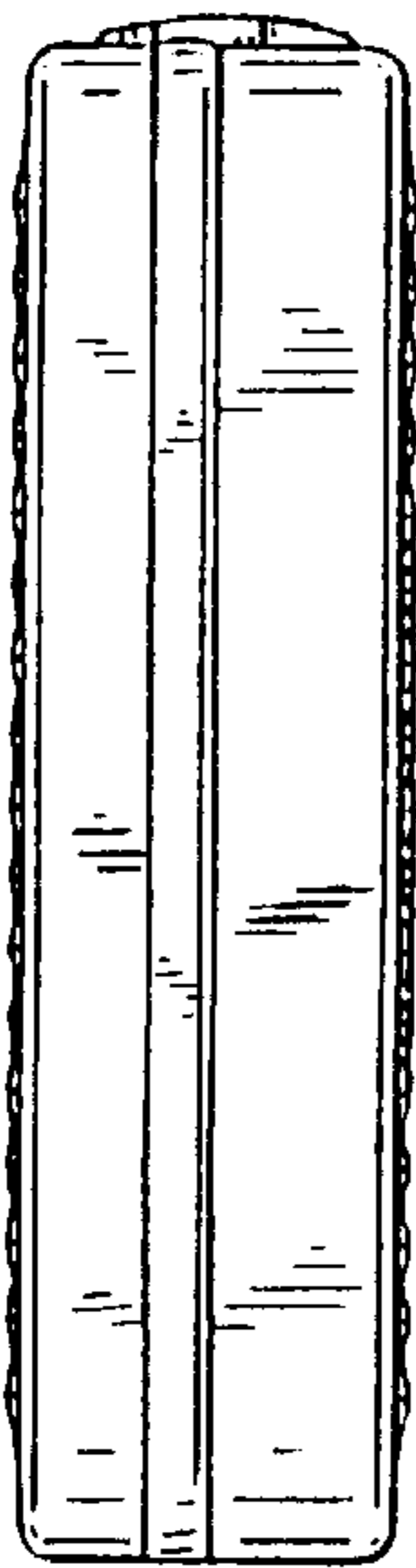


FIG. 4

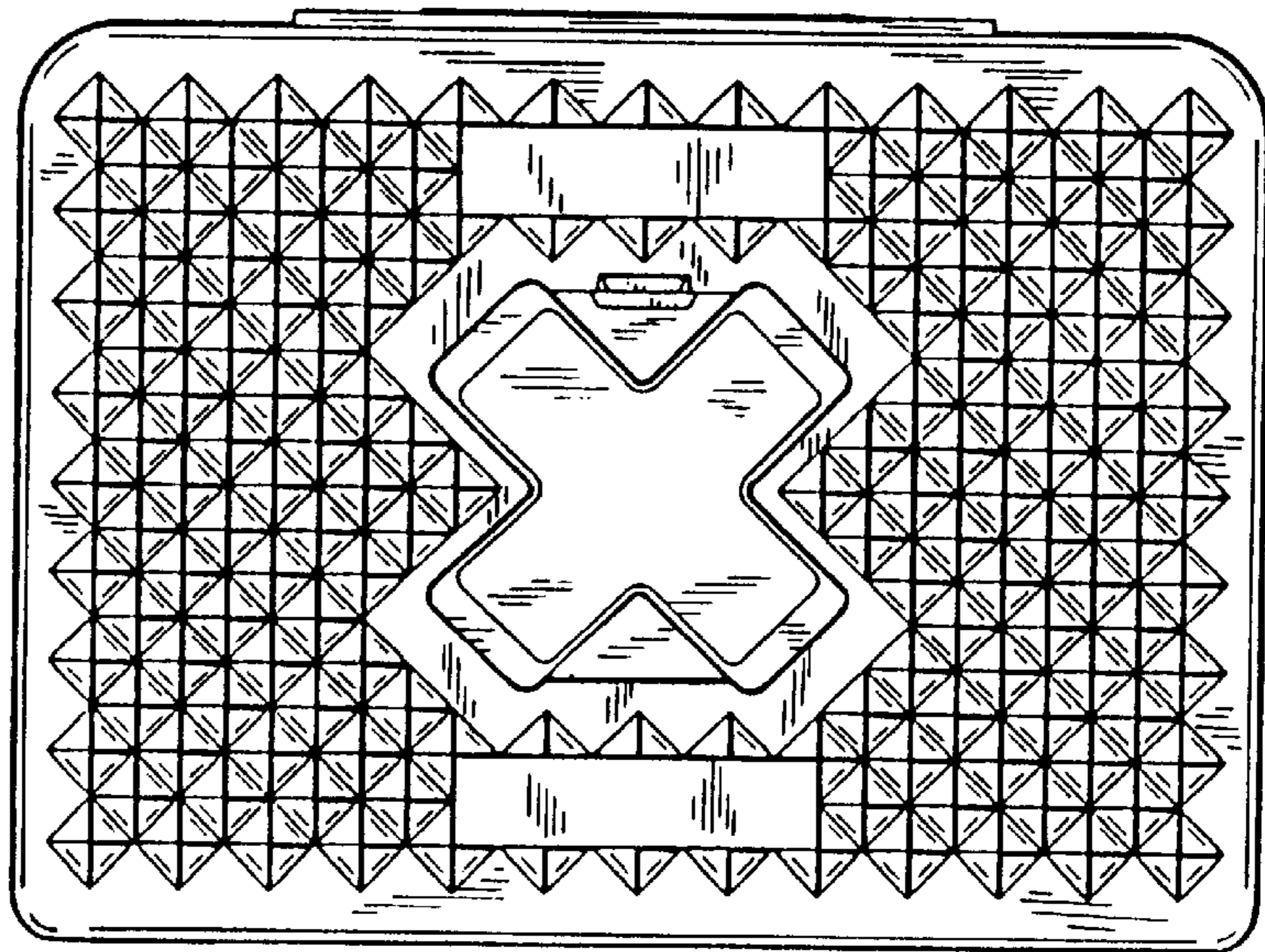


FIG. 5

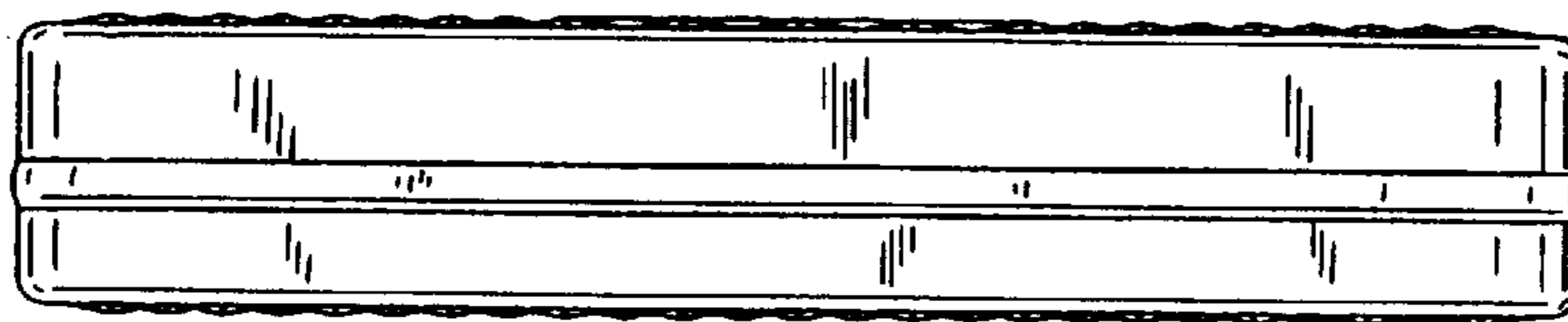


FIG. 6

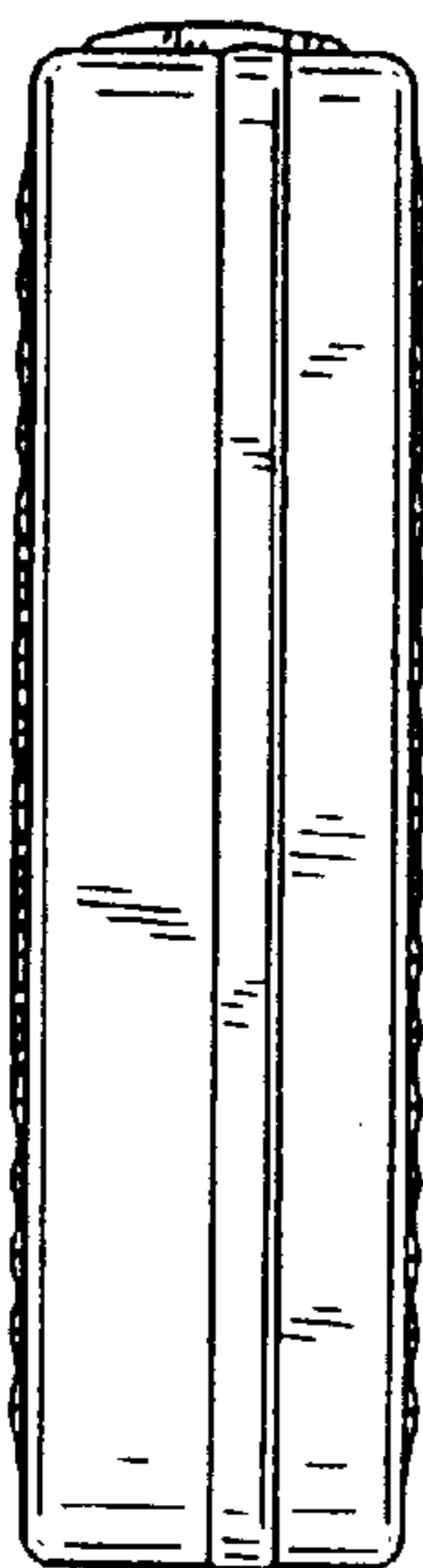


FIG. 7

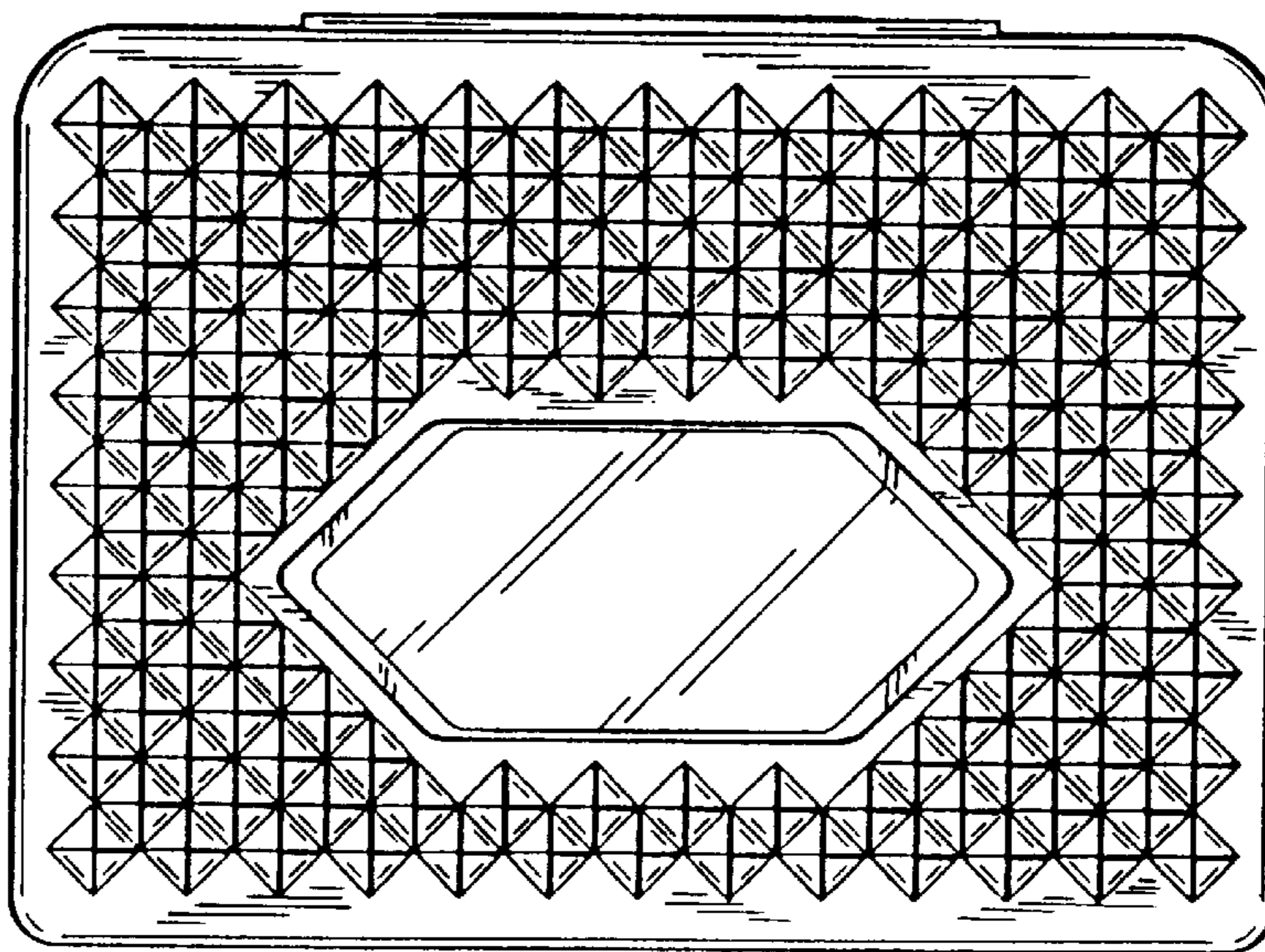


FIG. 8

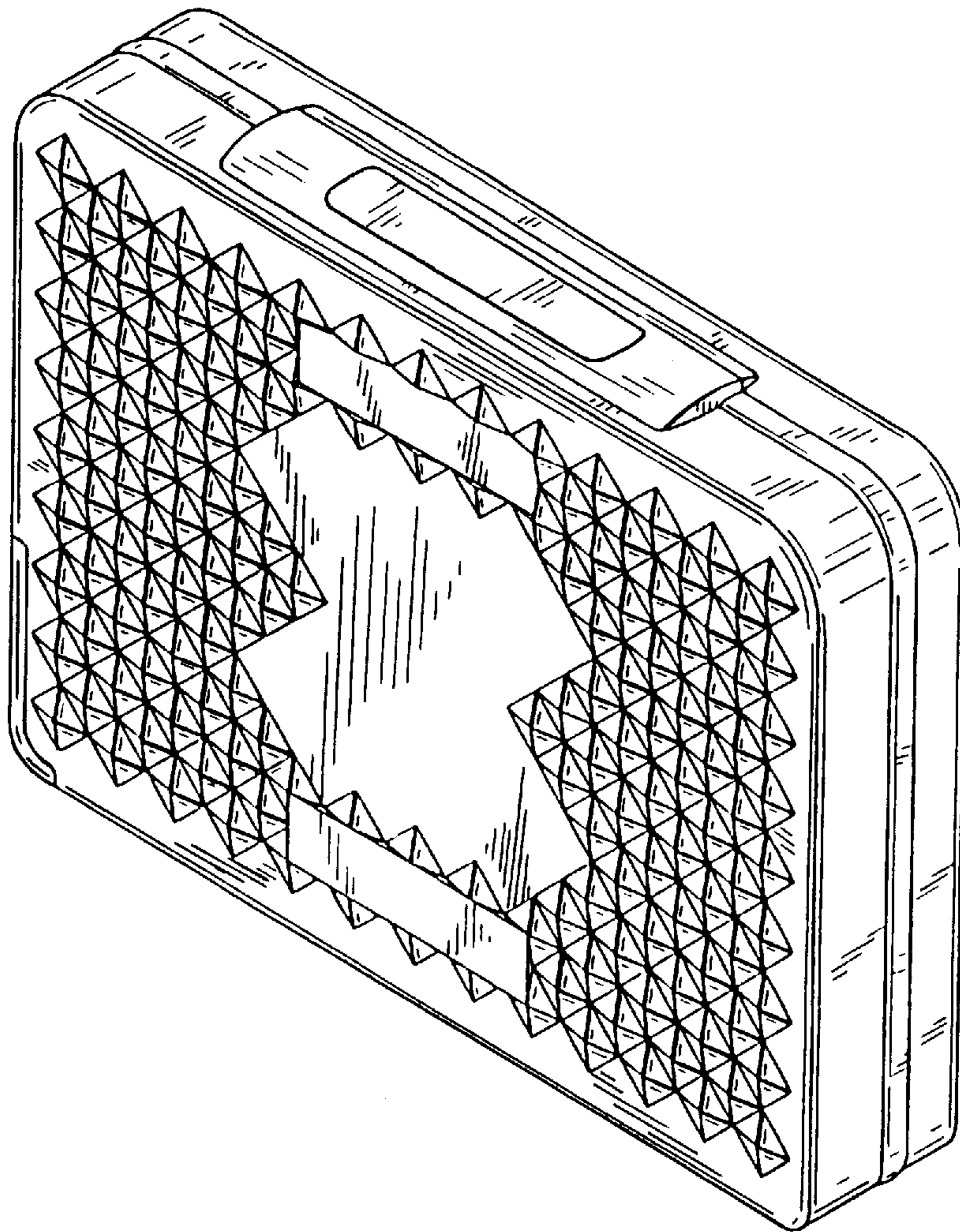


FIG. 9

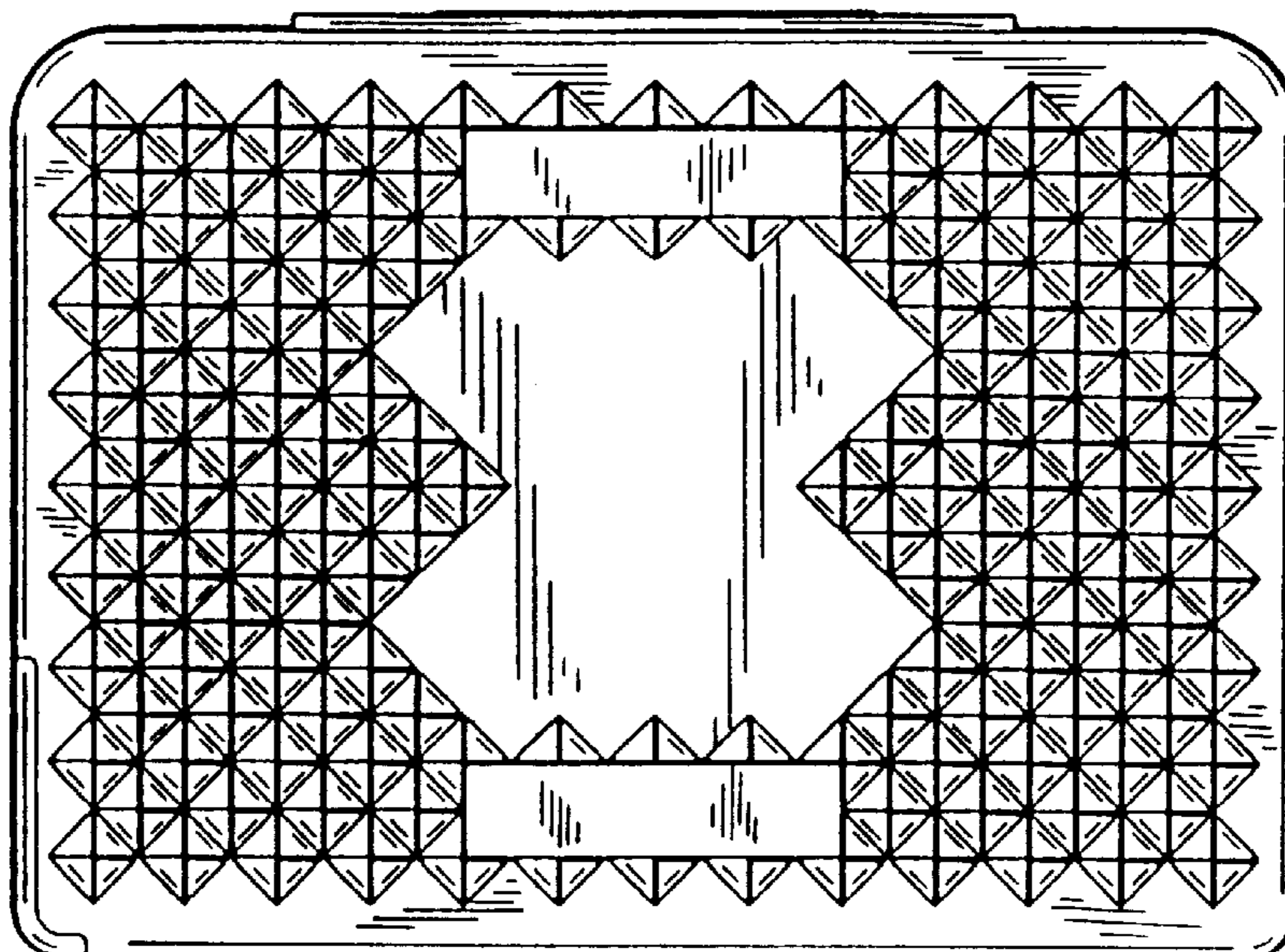


FIG. 10

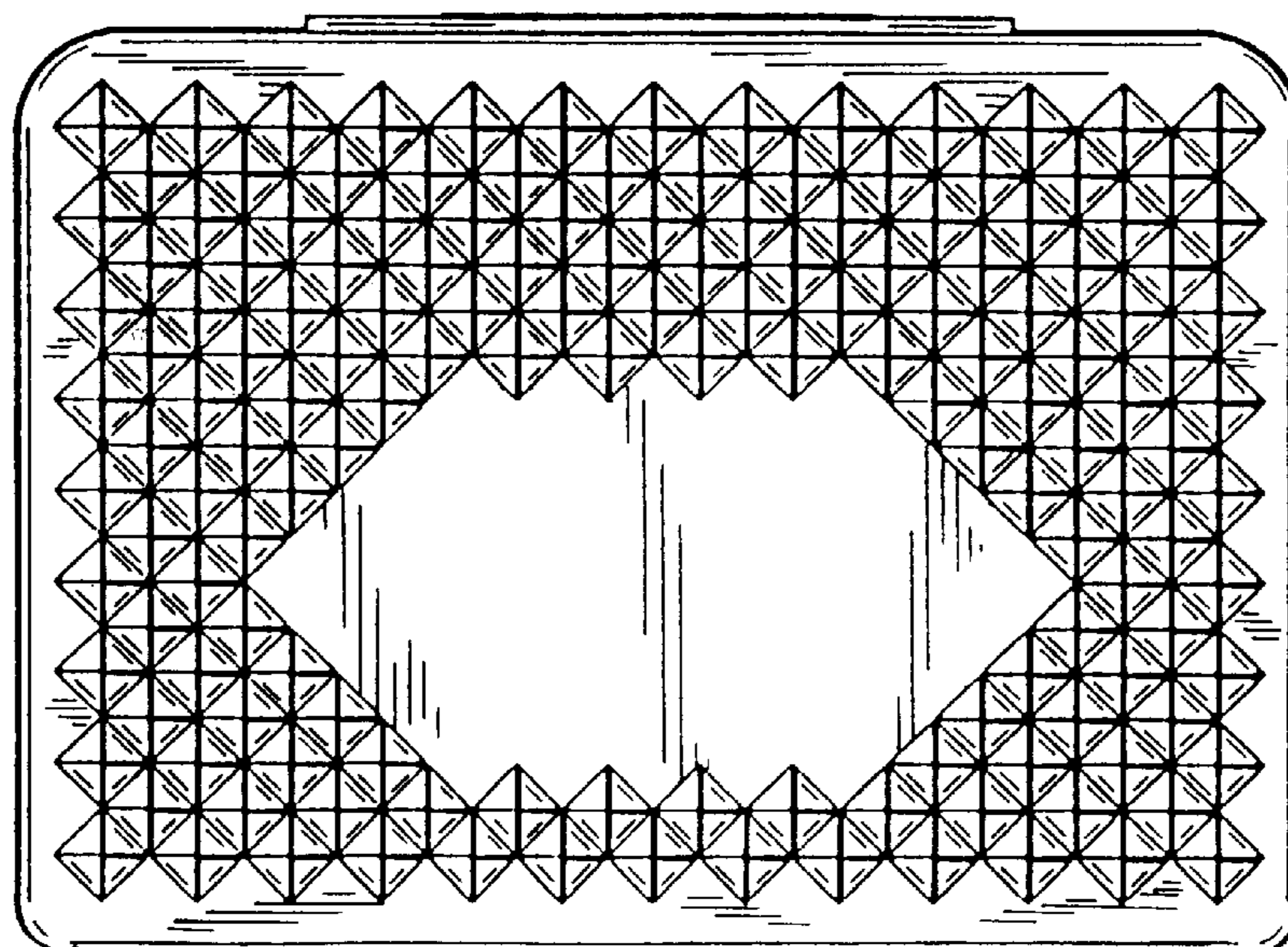


FIG. 11

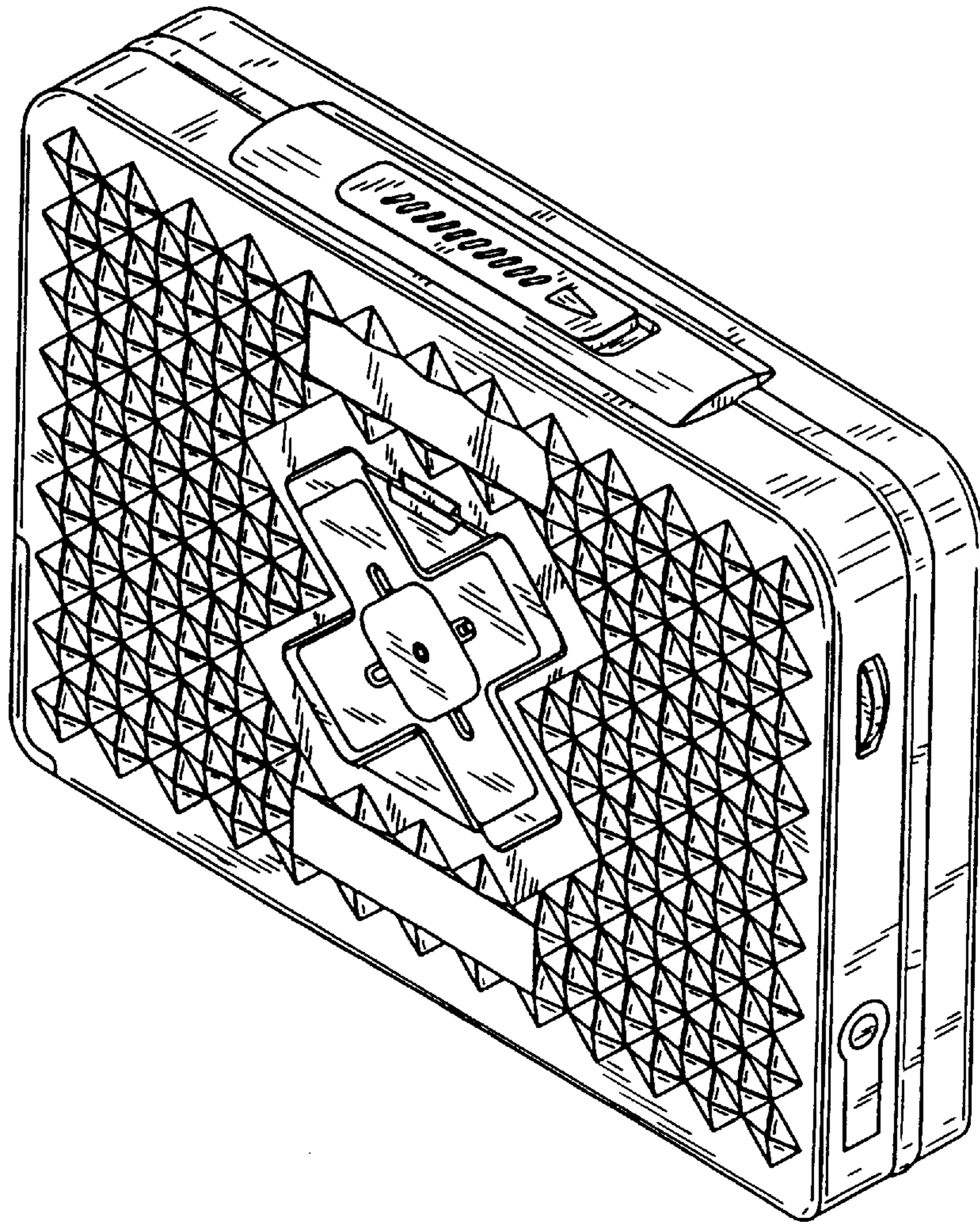


FIG. 12

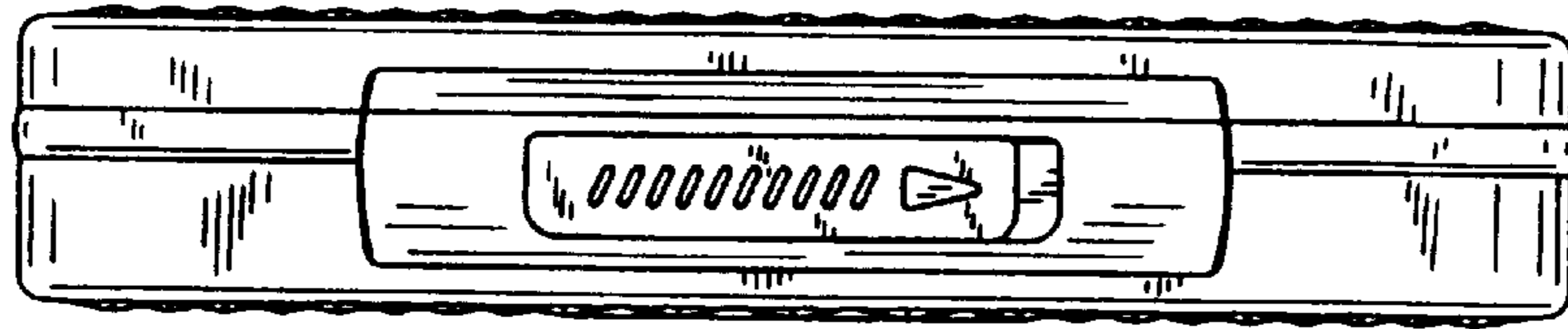


FIG. 13

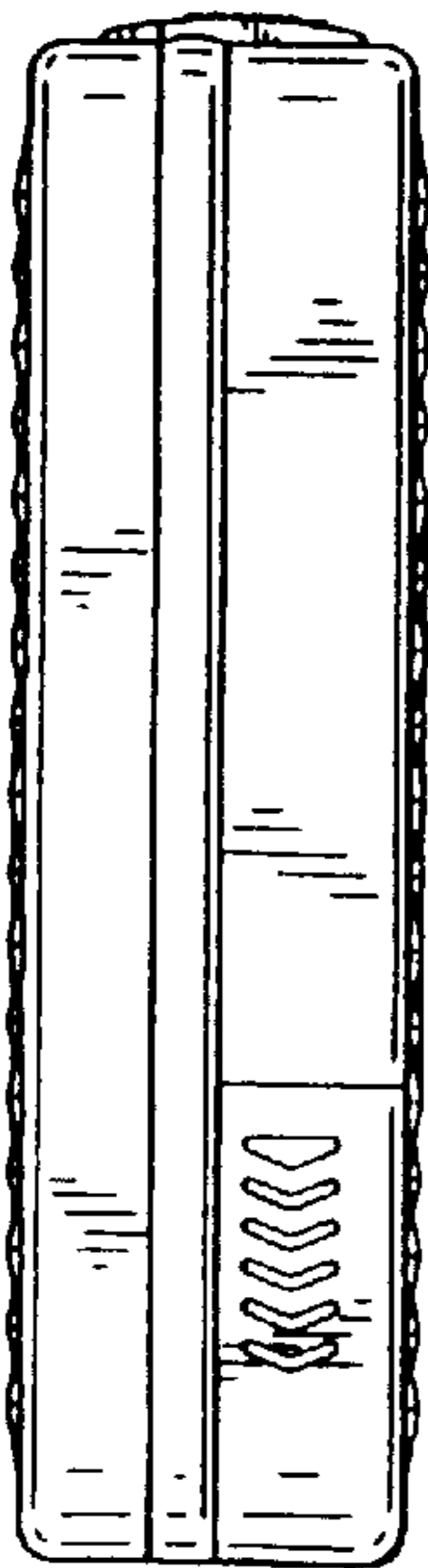


FIG. 14

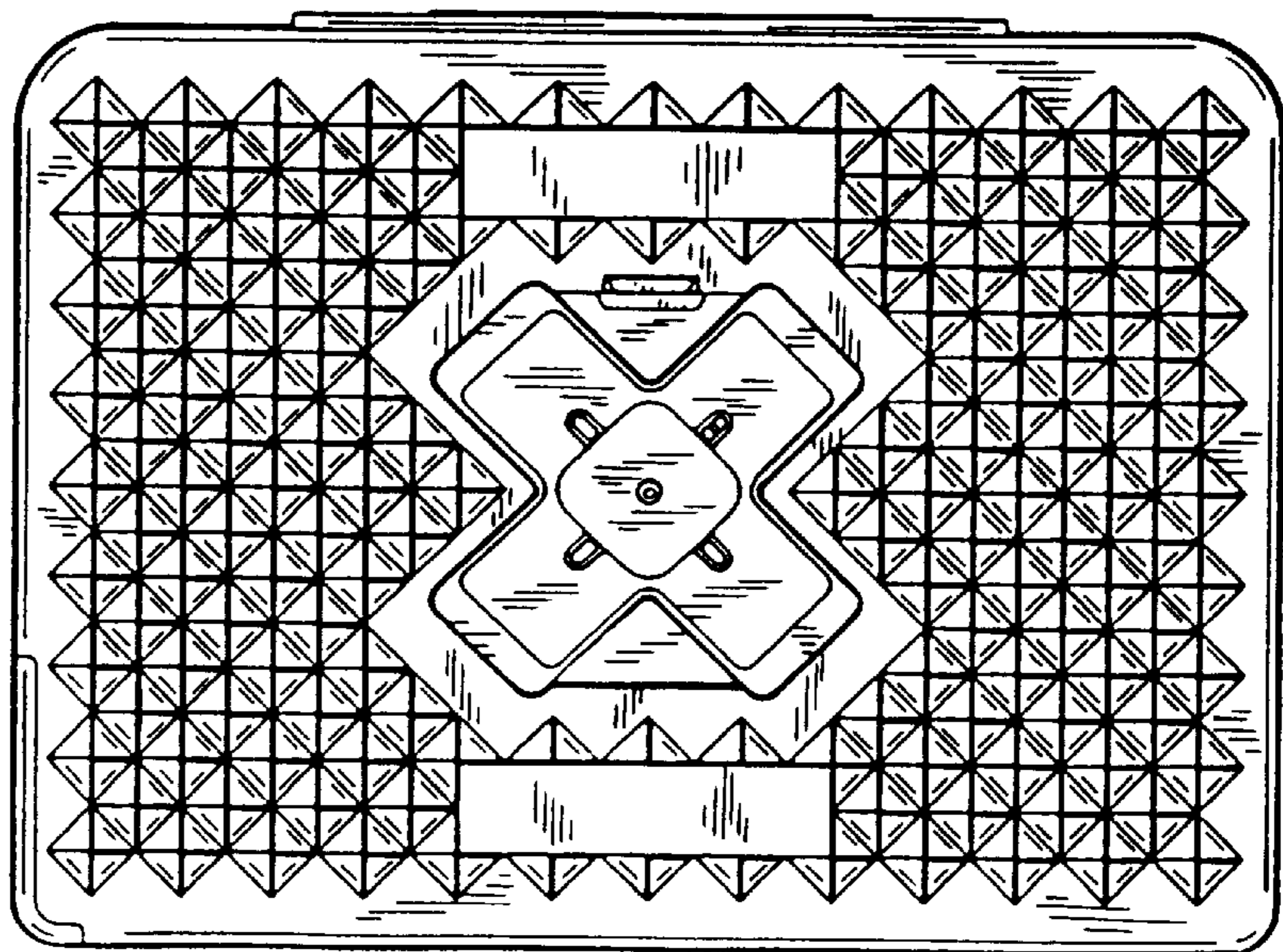




FIG.15

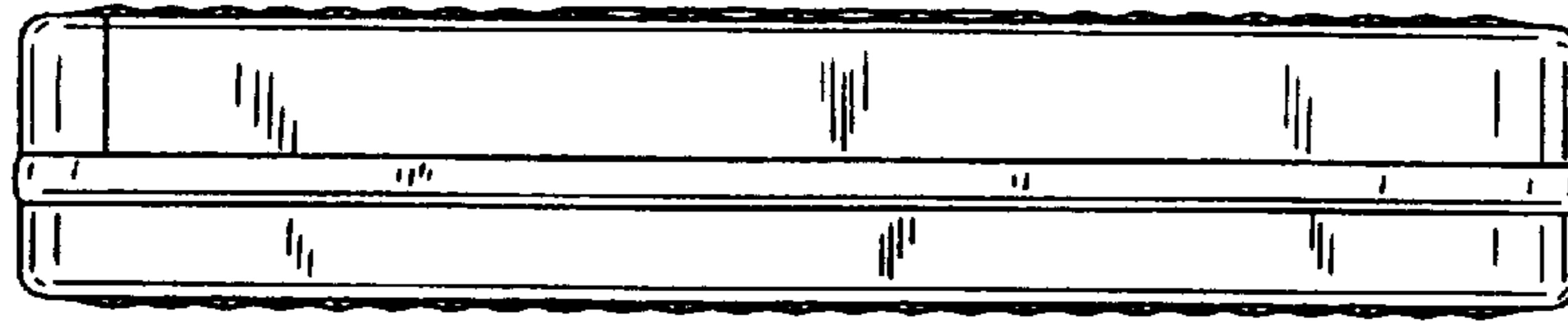


FIG.16

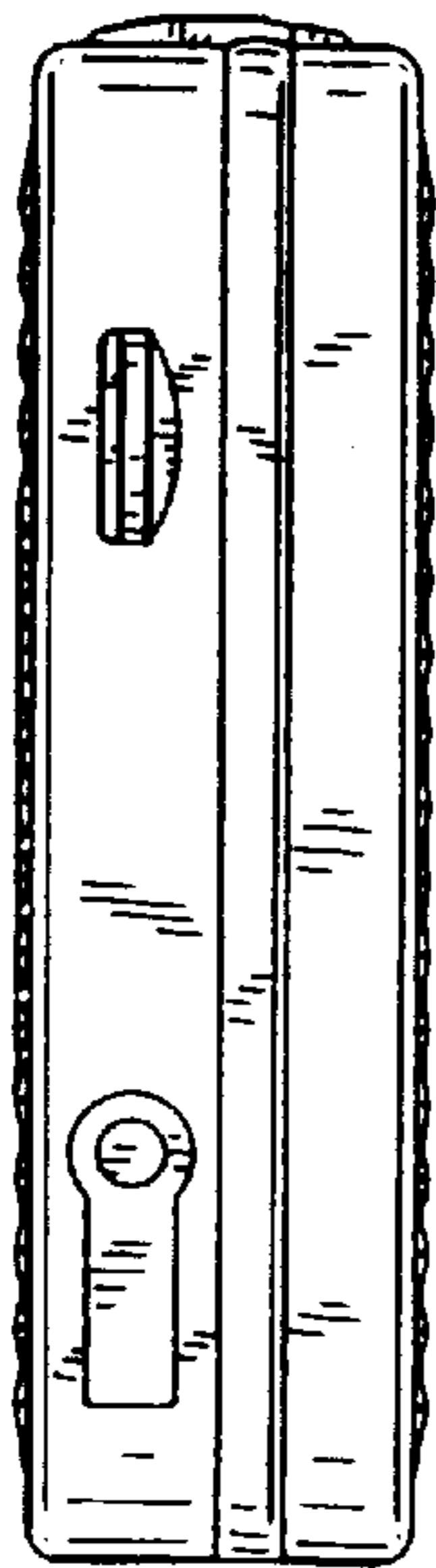


FIG.17

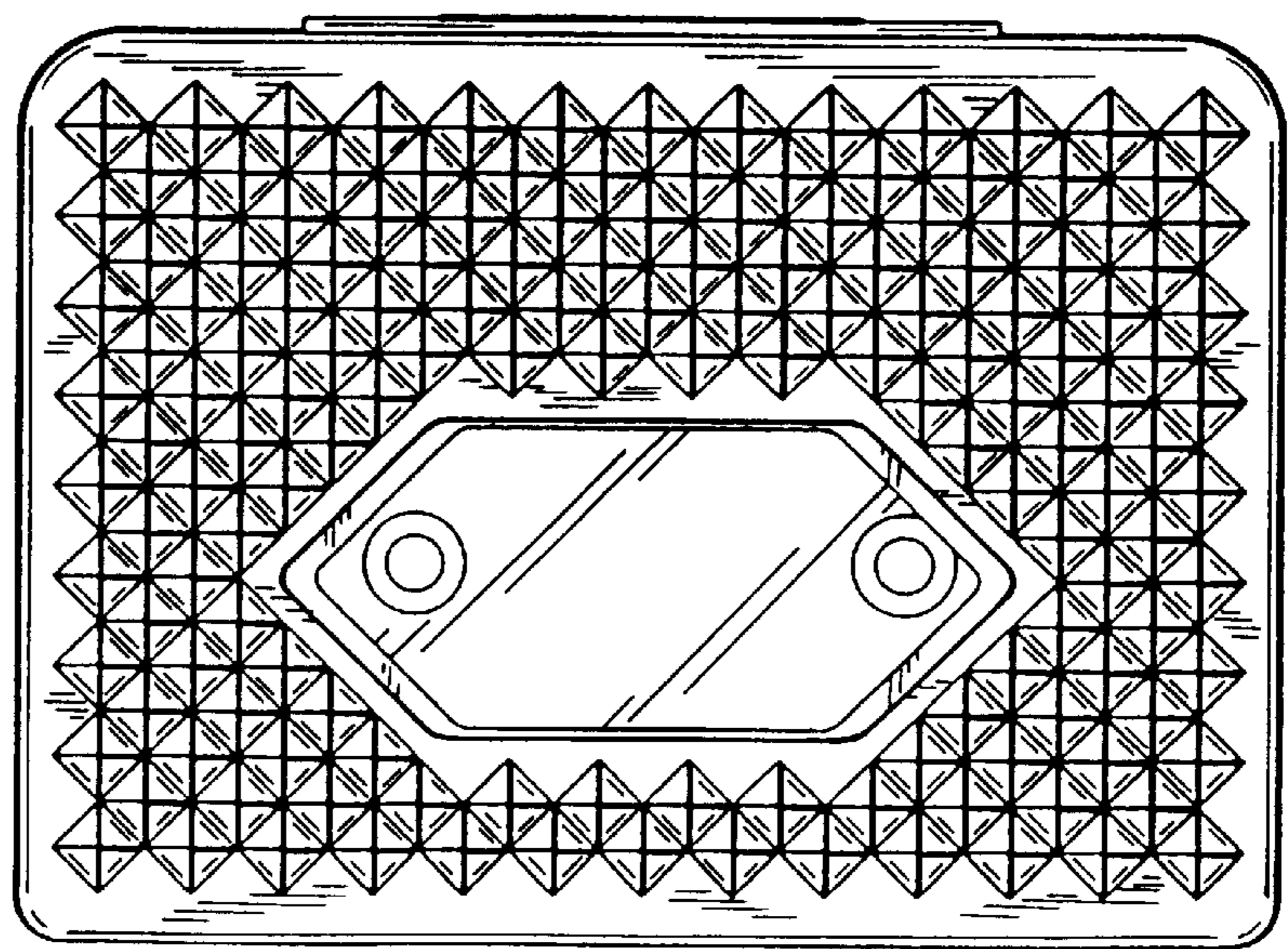


FIG.18

