



US00D401927S

# United States Patent [19] Bailey

[11] Patent Number: **Des. 401,927**

[45] Date of Patent: **\*\*Dec. 1, 1998**

[54] **ELECTRONIC BAR CODE READER**

[75] Inventor: **Tracy Bailey**, Germantown, Tenn.

[73] Assignee: **Federal Express Corporation**,  
Memphis, Tenn.

[\*\*] Term: **14 Years**

[21] Appl. No.: **78,451**

[22] Filed: **Oct. 24, 1997**

[51] **LOC (6) Cl.** ..... **14-02**

[52] **U.S. Cl.** ..... **D14/116**

[58] **Field of Search** ..... D14/100, 114,  
D14/107, 116; D19/41-51; 235/375, 378,  
385, 454, 462, 472, 486; 382/312-15, 321,  
318-19; 250/203.1, 216; D26/37, 45, 50

[56] **References Cited**

**U.S. PATENT DOCUMENTS**

D. 248,946	8/1978	Koenig	.....	D14/40
D. 267,950	2/1983	Ault	.....	D14/115
D. 297,430	8/1988	Beard et al.	.....	D14/115
D. 297,431	8/1988	Beard et al.	.....	D14/116
D. 297,432	8/1988	Stant et al.	.....	D14/116
D. 316,854	5/1991	Okuyama et al.	.....	D14/116
D. 325,574	4/1992	Carver	.....	D14/116
D. 343,829	2/1994	Okuda et al.	.....	D14/116
D. 355,904	2/1995	Swartz et al.	.....	D14/116
D. 359,040	6/1995	Nakamura et al.	.....	D14/116
D. 392,282	3/1998	Ahearn et al.	.....	D14/116
4,420,682	12/1983	Huber	.....	235/472

4,423,319	12/1983	Jacobsen	.....	235/472
4,445,028	4/1984	Huber	.....	235/472
4,471,218	9/1984	Culp	.....	235/472
5,065,003	11/1991	Wakatsuki et al.	.....	D14/116 X

**OTHER PUBLICATIONS**

Federal Express Worldwide Service Guide, p. 12, Jul. 1, 1990.

Federal Express Corporation 1986 Annual Report, p. 8.

*Primary Examiner*—M. H. Tung

*Attorney, Agent, or Firm*—Finnegan, Henderson, Farabow, Garrett & Dunner

[57] **CLAIM**

The ornamental design for an electronic bar code reader, as shown and described.

**DESCRIPTION**

FIG. 1 is a front perspective view embodying my design, on an enlarged scale;

FIG. 2 is a rear perspective view of the design of FIG. 1, on an enlarged scale;

FIG. 3 is a front elevational view of the design;

FIG. 4 is a rear elevational view of the design;

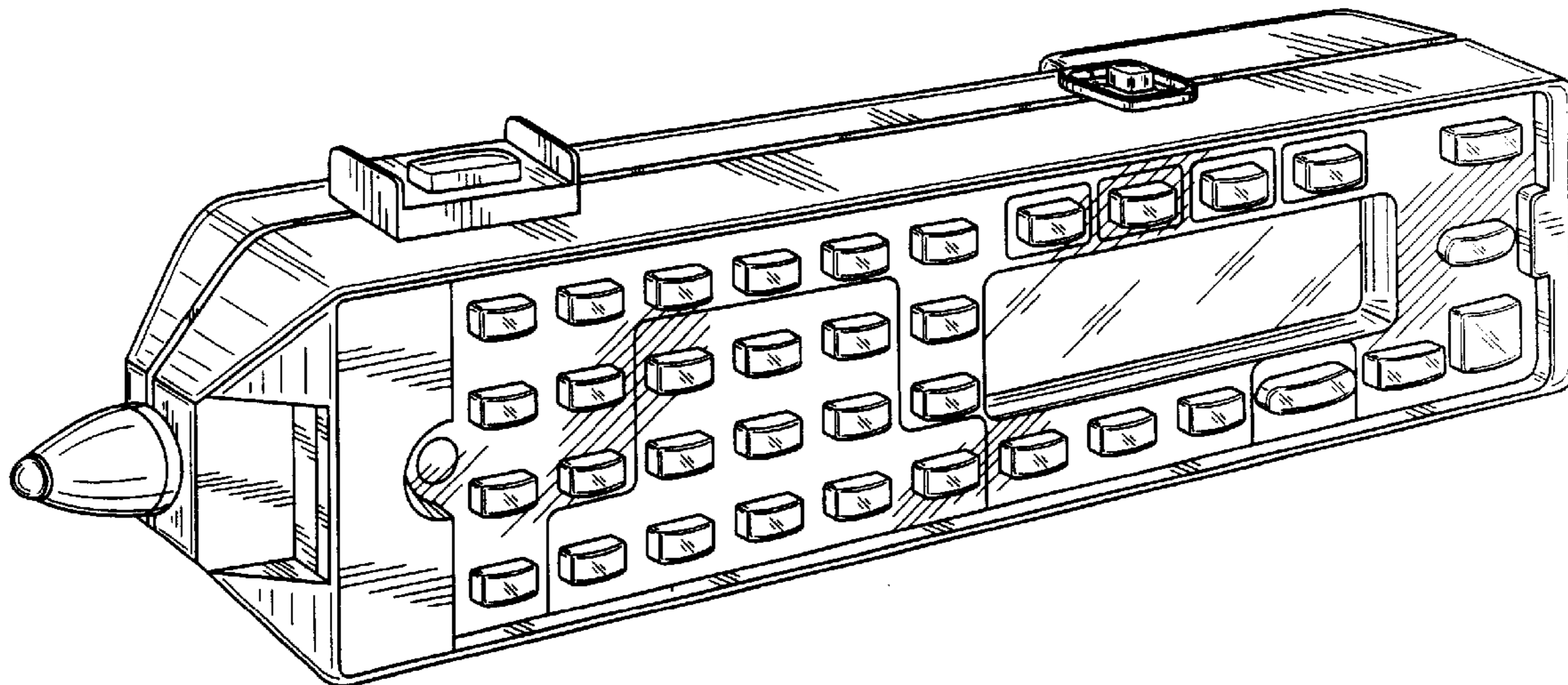
FIG. 5 is a top plan view of the design;

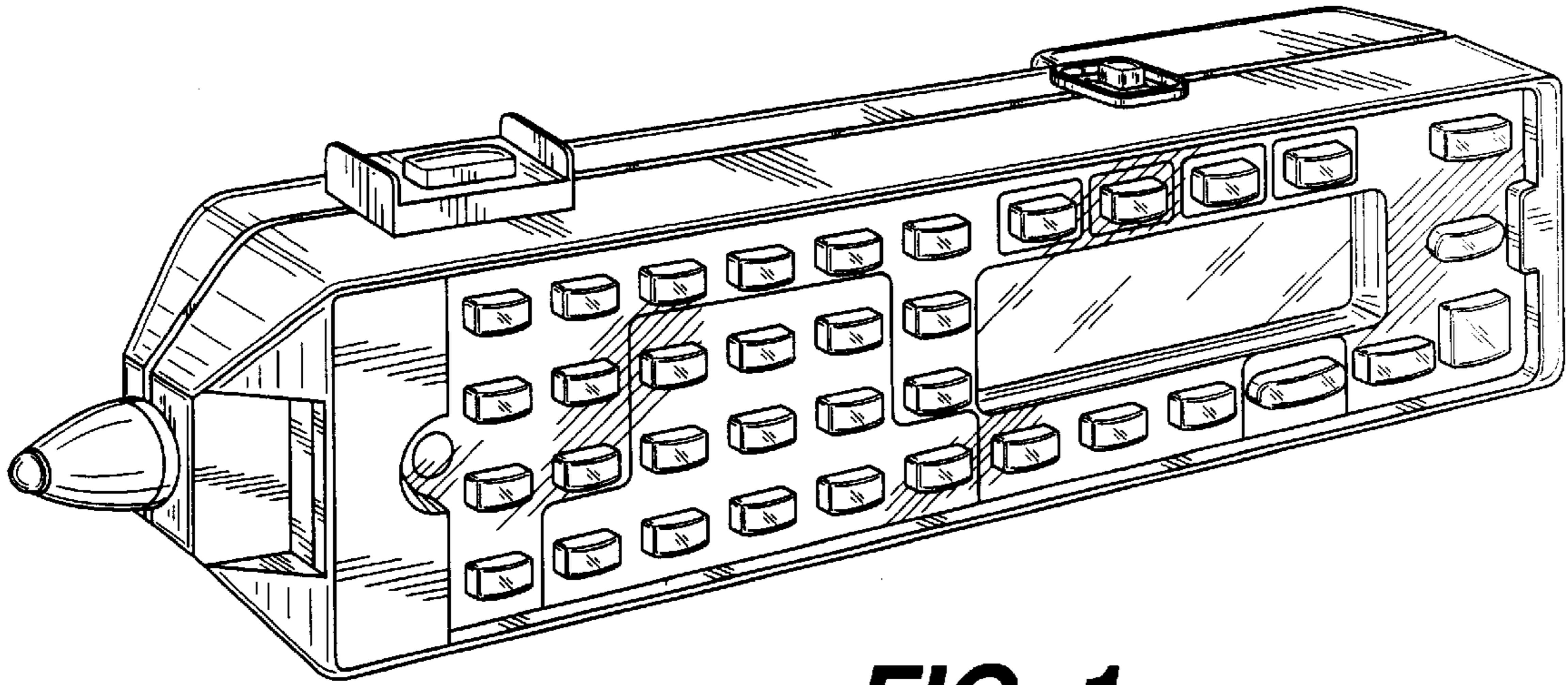
FIG. 6 is a bottom plan view of the design;

FIG. 7 is an end elevational view looking from the right of FIG. 7; and,

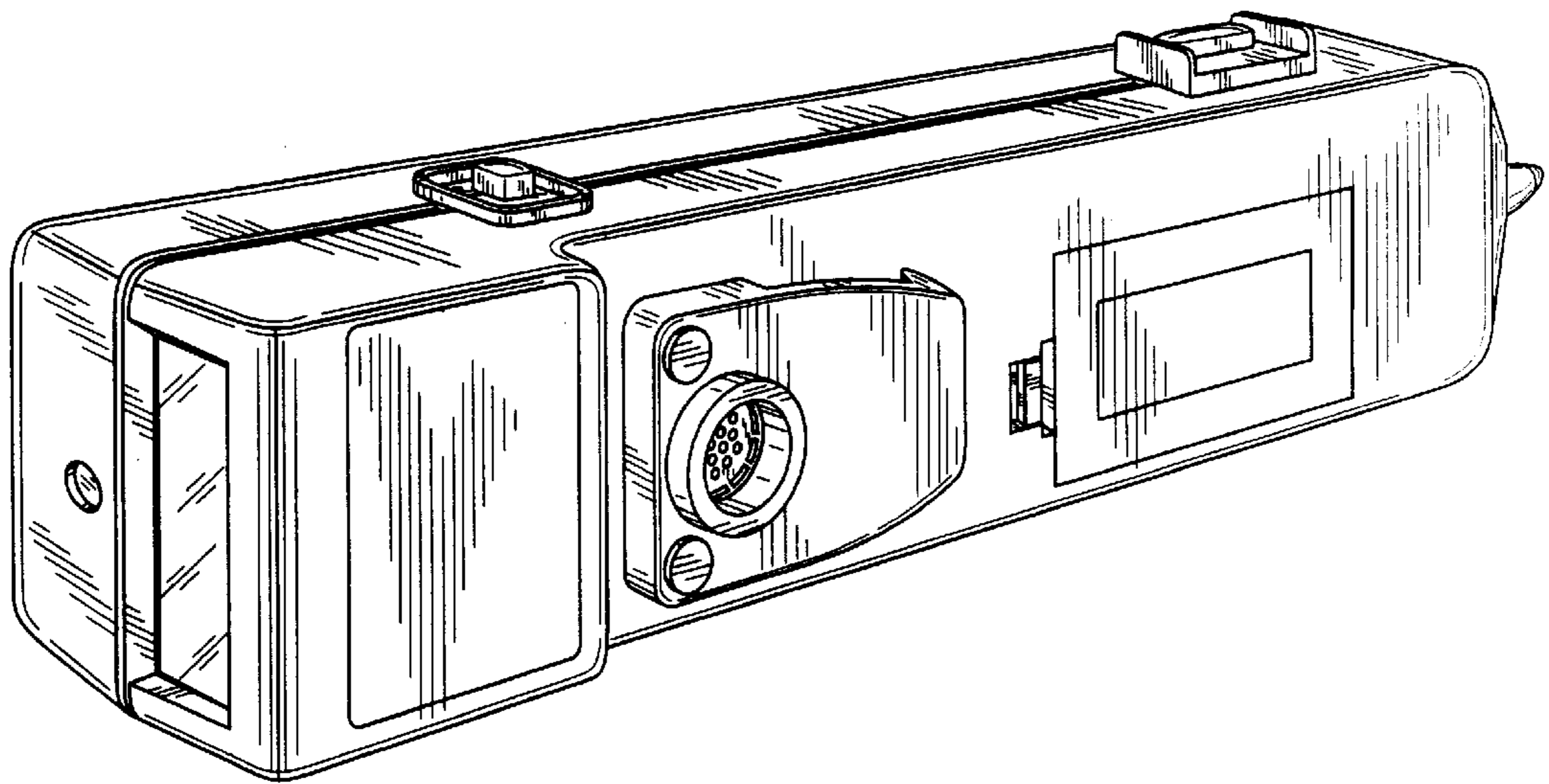
FIG. 8 is an end elevational view looking from the left of FIG. 7.

**1 Claim, 3 Drawing Sheets**

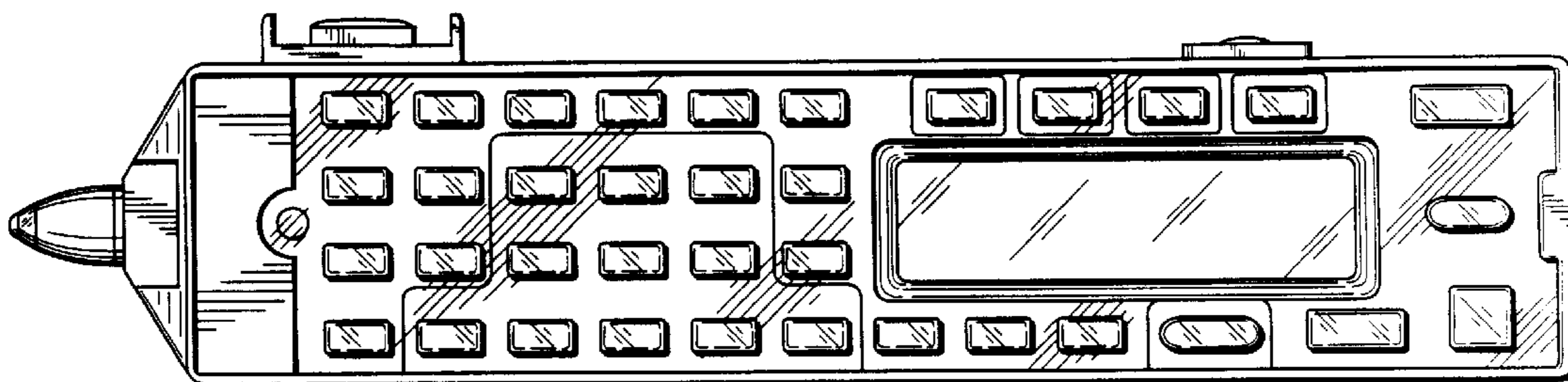




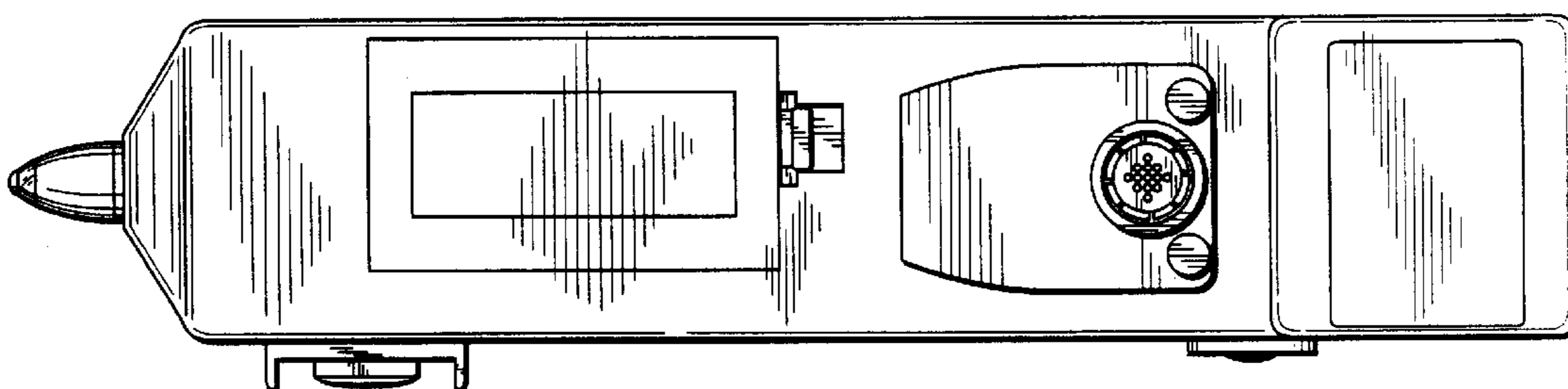
**FIG. 1**



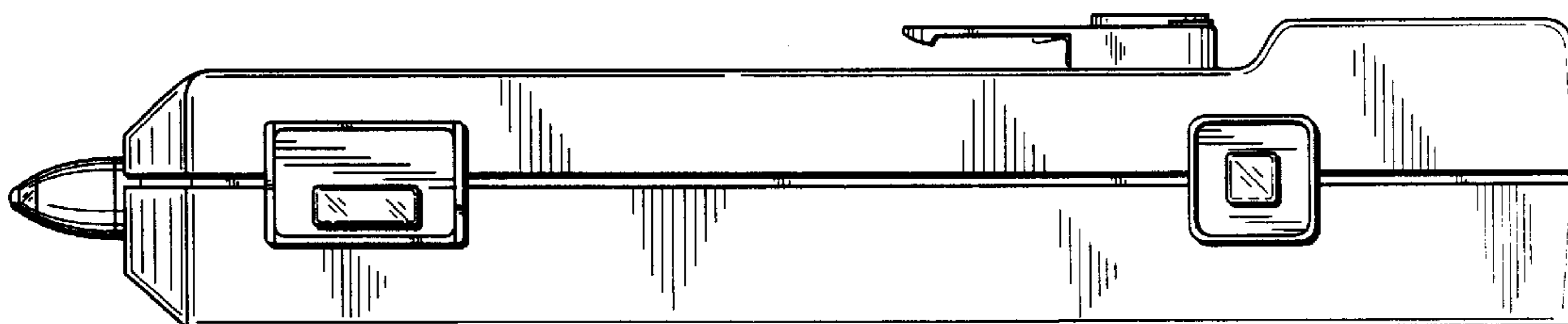
**FIG. 2**



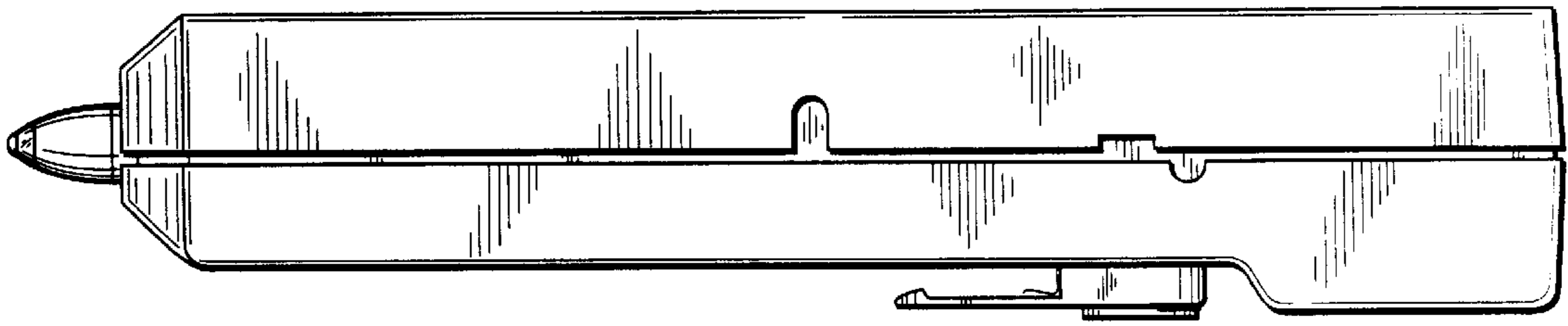
**FIG. 3**



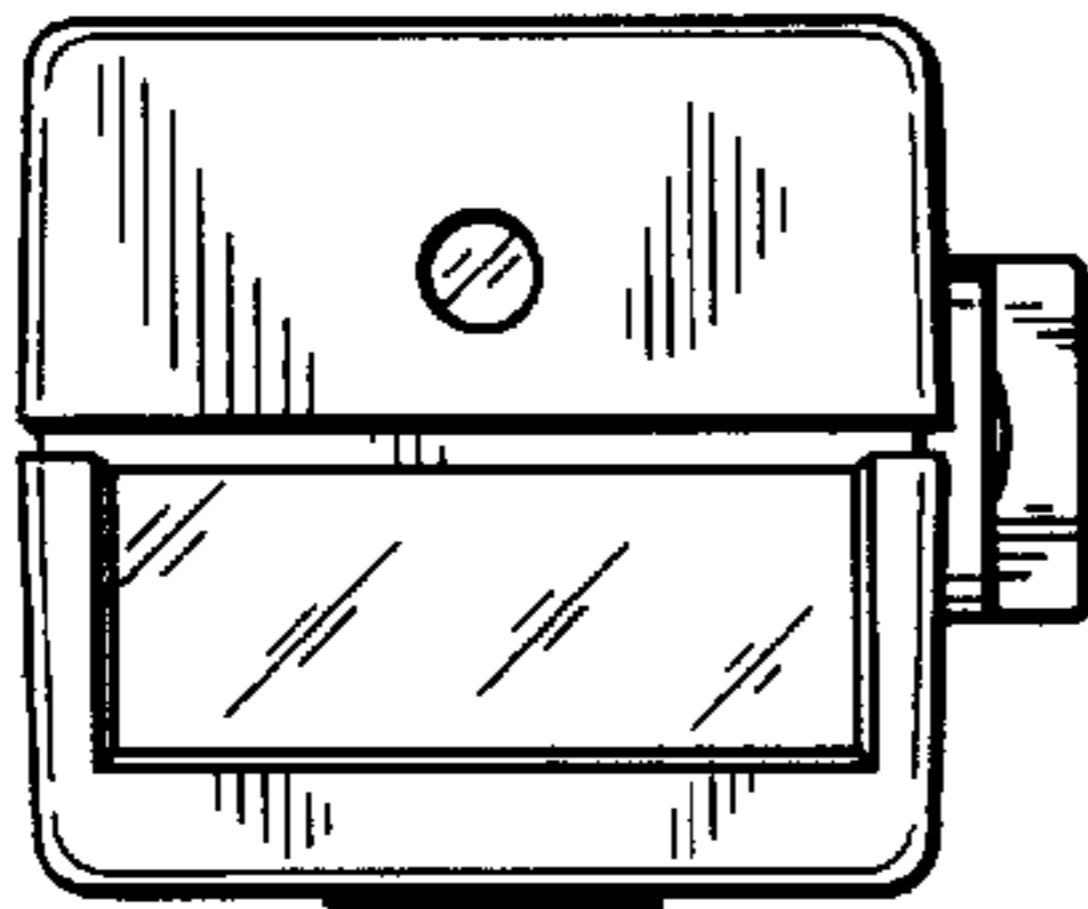
**FIG. 4**



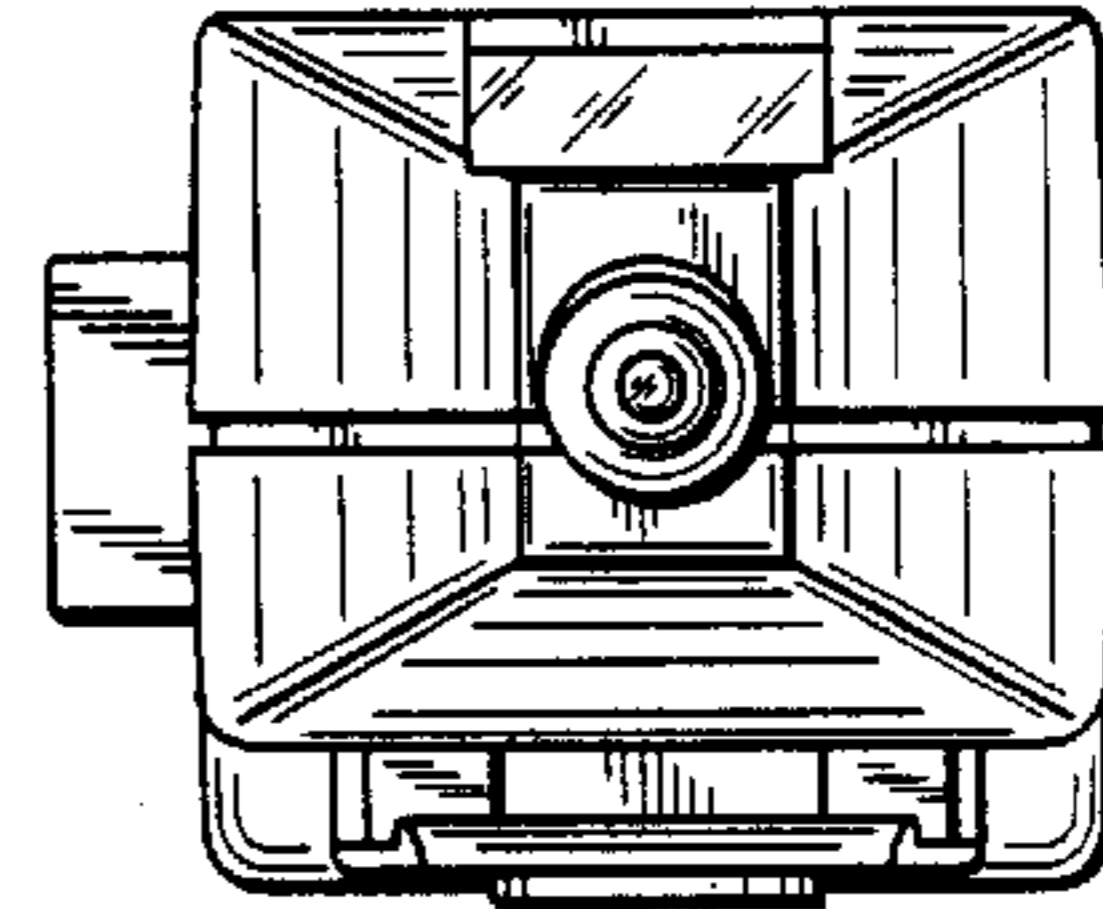
**FIG. 5**



**FIG. 6**



**FIG. 7**



**FIG. 8**