



US00D401916S

United States Patent [19]

Butts et al.

[11] **Patent Number: Des. 401,916**

[45] **Date of Patent: **Dec. 1, 1998**

[54] **POINT-OF-ENTRY CARD READER**

D. 340,919	11/1993	Lee	D14/105
D. 371,765	7/1996	Moss et al.	D14/105
5,345,090	9/1994	Hludzinski	250/566

[75] Inventors: **Bradford F. Butts**, Oak Park; **Arnold Crater**, Hoffman Estates; **Michael D. Prince**, Chicago; **Antonio J. Belton**, Hazel Crest, all of Ill.

Primary Examiner—Freda Nunn
Attorney, Agent, or Firm—James A. Coffing

[73] Assignee: **Motorola, Inc.**, Schaumburg, Ill.

[**] Term: **14 Years**

[57] **CLAIM**

The ornamental design for a point-of-entry card reader, as shown and described.

[21] Appl. No.: **78,016**

DESCRIPTION

[22] Filed: **Oct. 15, 1997**

[51] **LOC (6) Cl.** **14-02**

FIG. 1 is a right, front, top perspective view of our point-of-entry card reader;

[52] **U.S. Cl.** **D14/105**

FIG. 2 is a rear elevational view thereof;

[58] **Field of Search** D14/100, 105,
D14/114, 107; D18/4; 235/380-382, 382.5;
250/556, 566; 355/64, 65, 75, 81

FIG. 3 is a left side elevational view thereof; and,

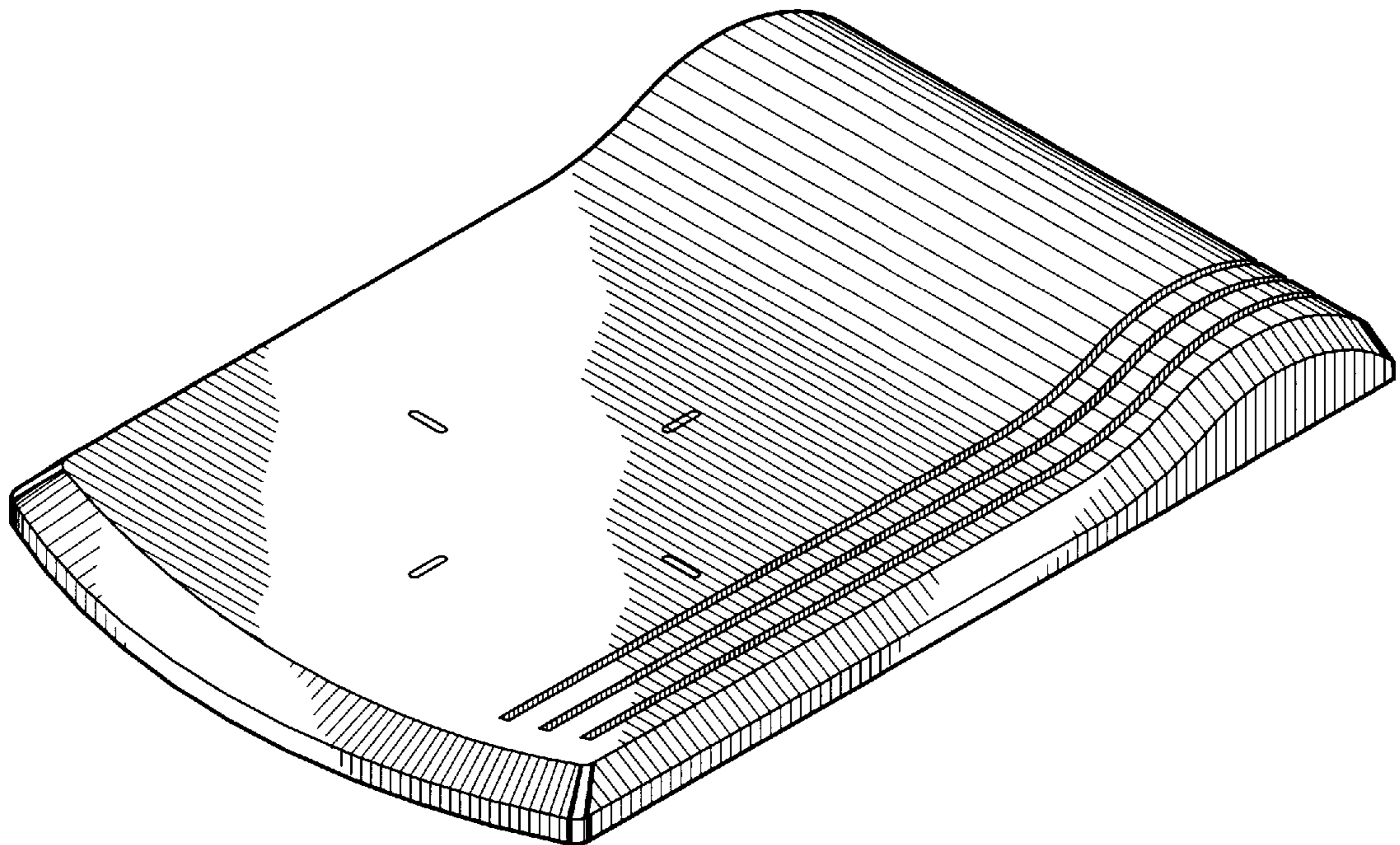
FIG. 4 is a bottom plan view thereof.

[56] **References Cited**

U.S. PATENT DOCUMENTS

D. 308,859 6/1990 Tarver et al. D14/105

1 Claim, 2 Drawing Sheets



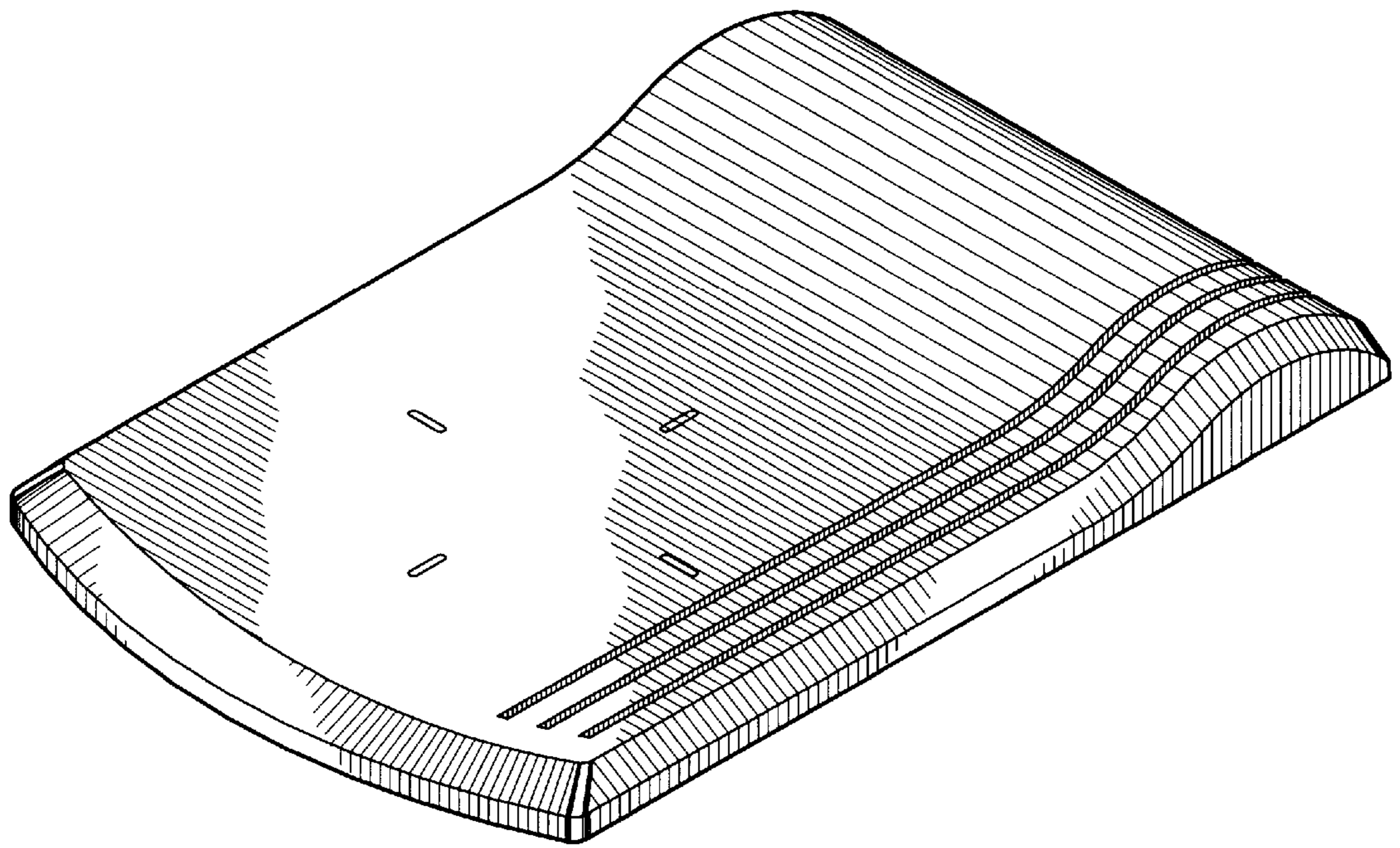


FIG. 1

FIG. 2

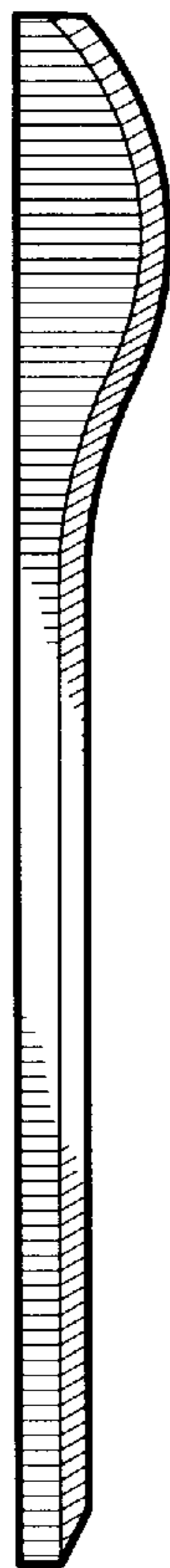
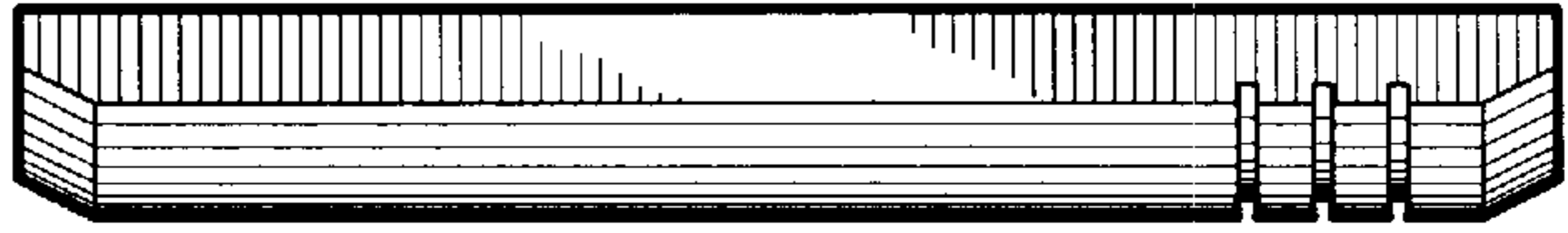


FIG. 3

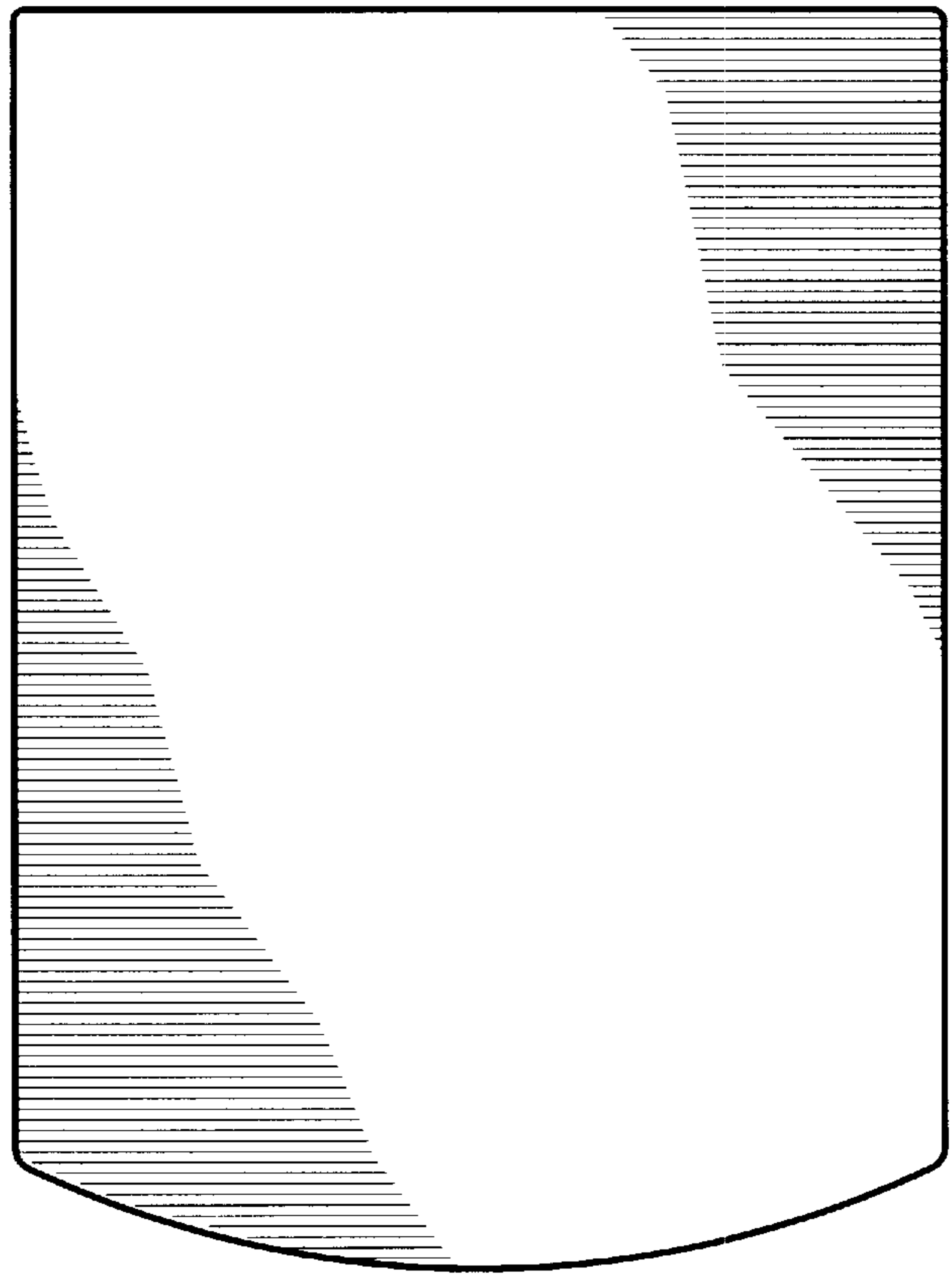


FIG. 4