



US00D401910S

# United States Patent [19]

Fooks et al.

[11] **Patent Number: Des. 401,910**

[45] **Date of Patent: \*\*Dec. 1, 1998**

[54] **HOUSING FOR PHOTOELECTRIC CONTROL**

5,115,129 5/1992 Johnson ..... 250/239

[75] Inventors: **Elik I. Fooks**, Lexington; **Dennis C. Mackey**, Hamilton, both of Mass.

*Primary Examiner*—Brian N. Vinson  
*Attorney, Agent, or Firm*—Michael A. Jaskolski; John M. Miller; John J. Horn

[73] Assignee: **Allen Bradley Company, LLC**, Milwaukee, Wis.

[57] **CLAIM**

[\*\*] Term: **14 Years**

The ornamental design for a housing for photoelectric control, as shown and described.

[21] Appl. No.: **74,793**

**DESCRIPTION**

[22] Filed: **Aug. 7, 1997**

[51] **LOC (6) Cl. .... 13-03**

[52] **U.S. Cl. .... D13/165**

[58] **Field of Search .... D13/165; 250/200, 250/201.1, 206, 239**

FIG. 1 is a front and top-right perspective view of a housing for a photoelectric control showing the new design; FIG. 2 is a front elevational view thereof; FIG. 3 is a rear elevational view thereof; FIG. 4 is a right-side elevational view thereof, the side opposite that shown being a mirror image; FIG. 5 is a top plan view thereof; and, FIG. 6 is a bottom plan view thereof.

[56] **References Cited**

The broken lines in FIGS. 1, 2, 3 and 4 are included for the purpose of illustrating environmental structure only and form no part of the claimed design.

**U.S. PATENT DOCUMENTS**

- D. 227,988 7/1973 Guthart ..... D13/165
- D. 322,776 12/1991 Di Carlo, Jr. .... D13/165
- D. 361,057 8/1995 Fayfield ..... D13/165

**1 Claim, 3 Drawing Sheets**

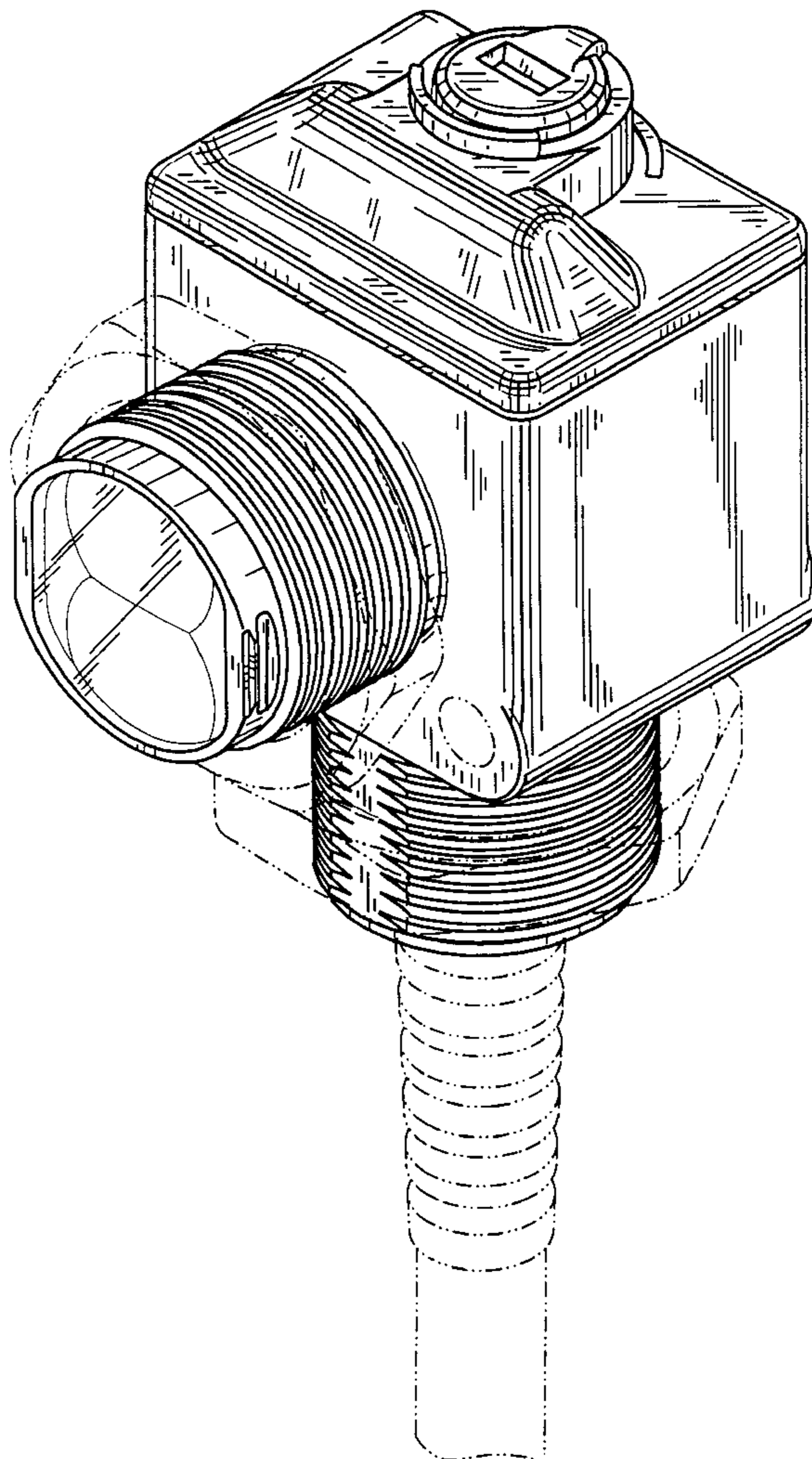


FIG. 1

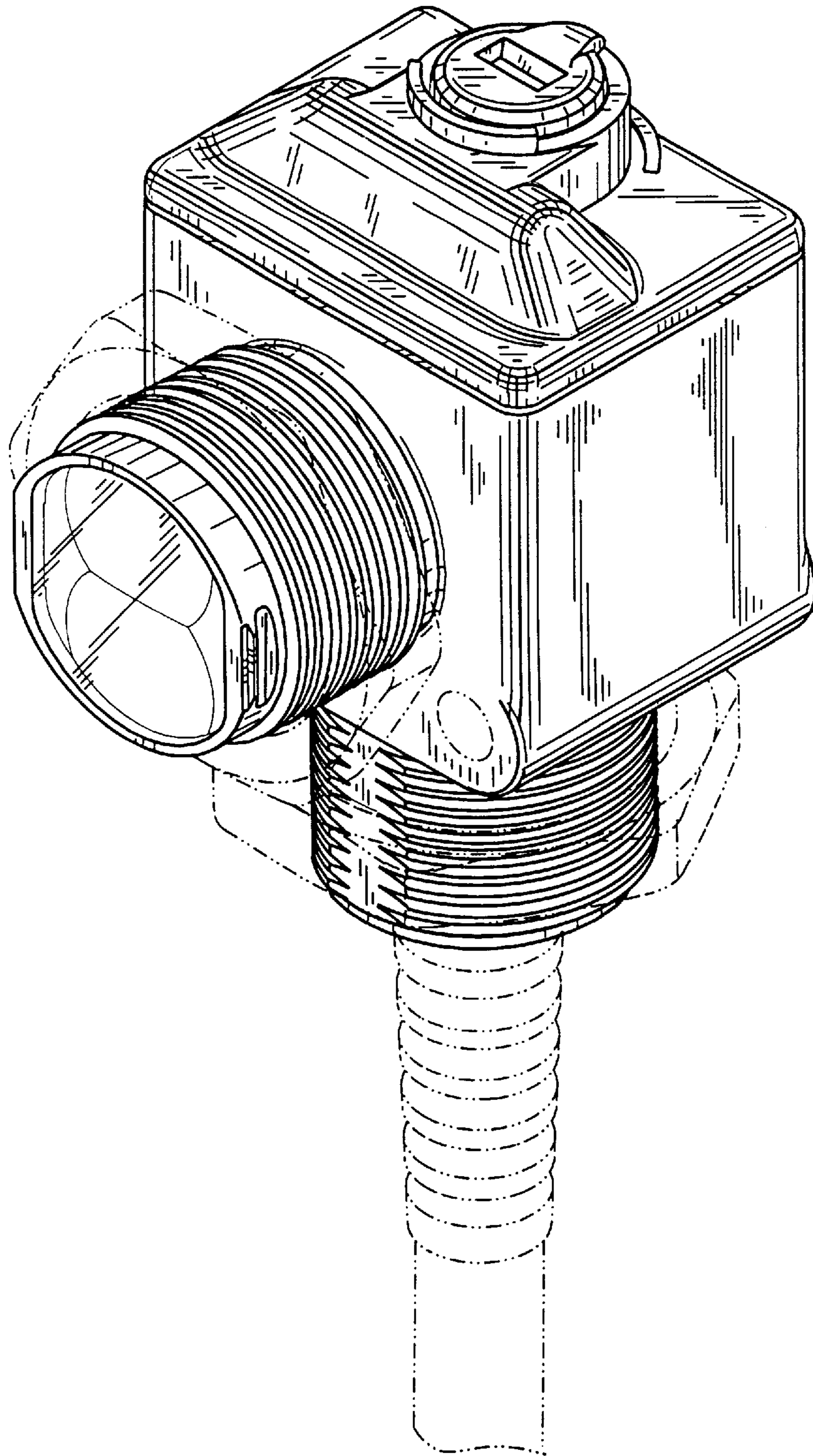


FIG. 2

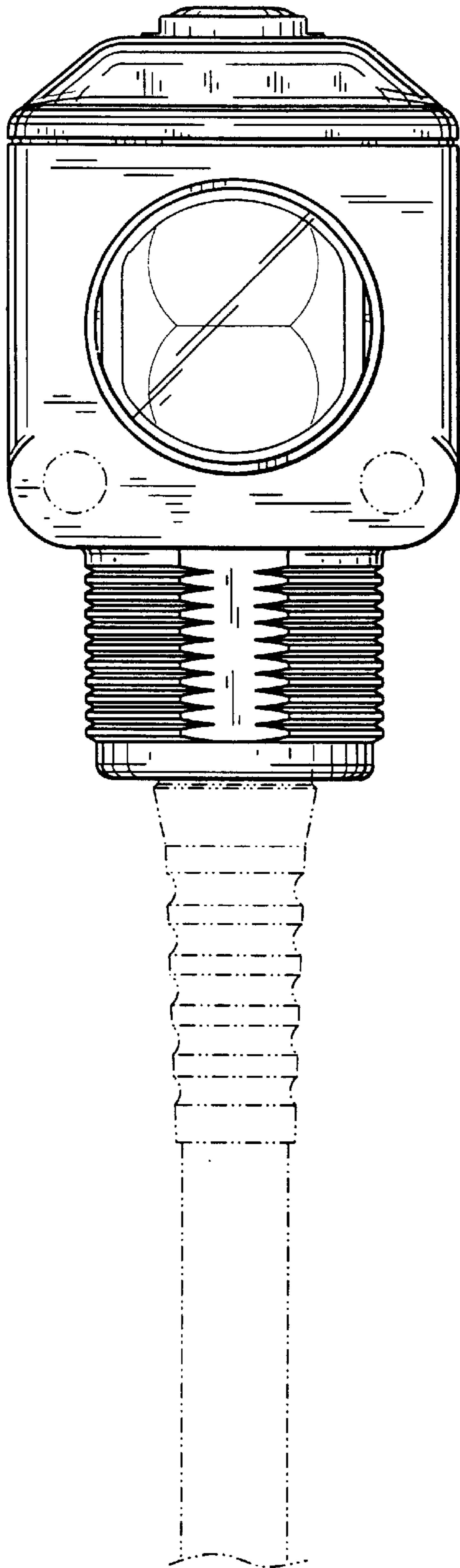


FIG. 3

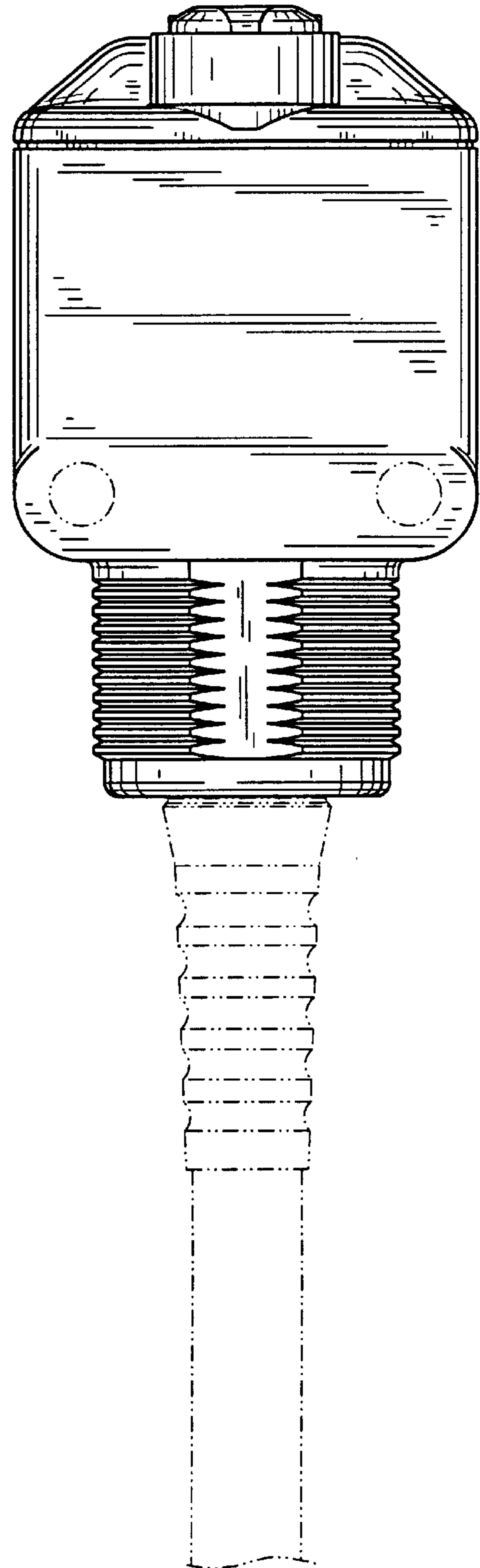


FIG. 5

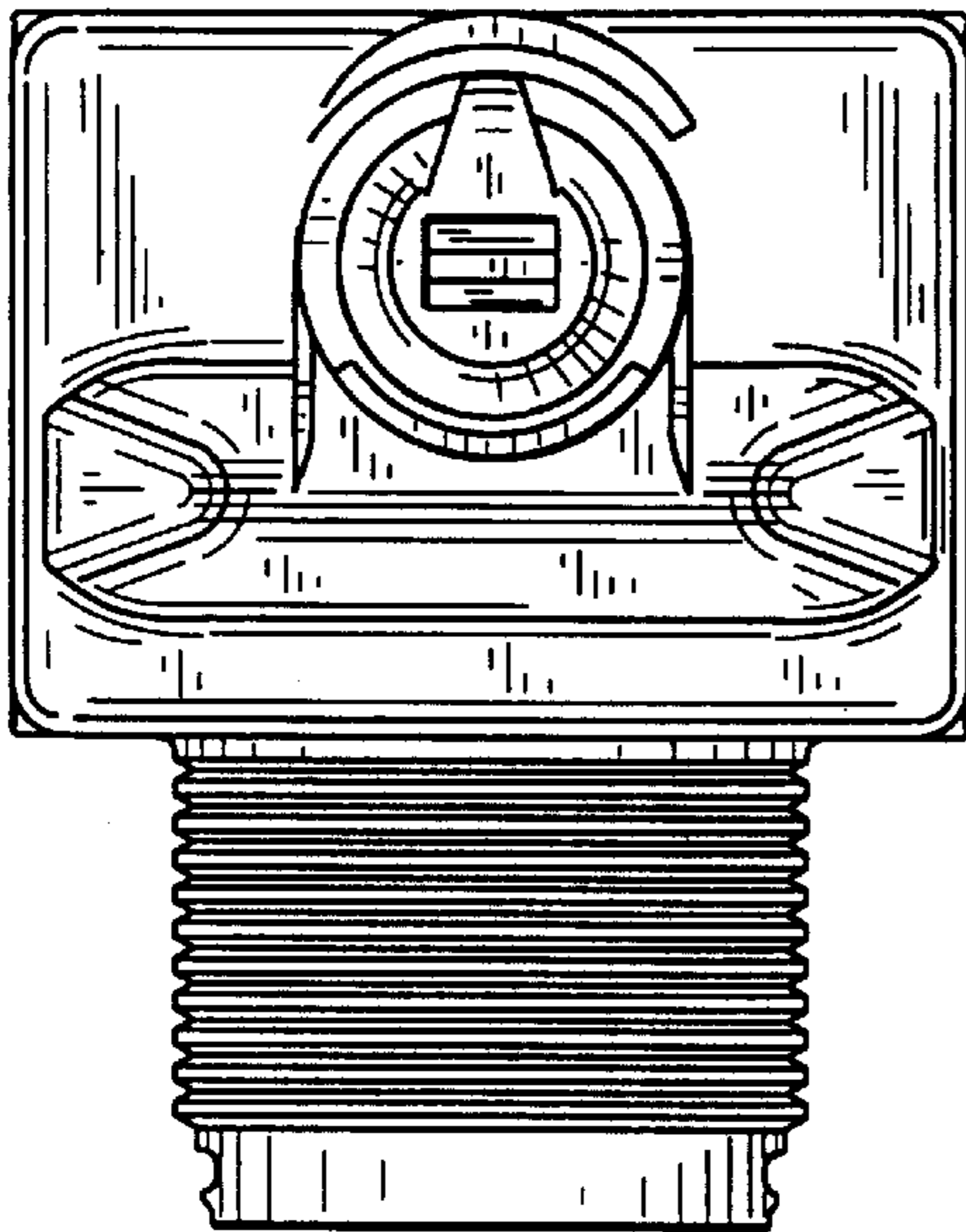


FIG. 4

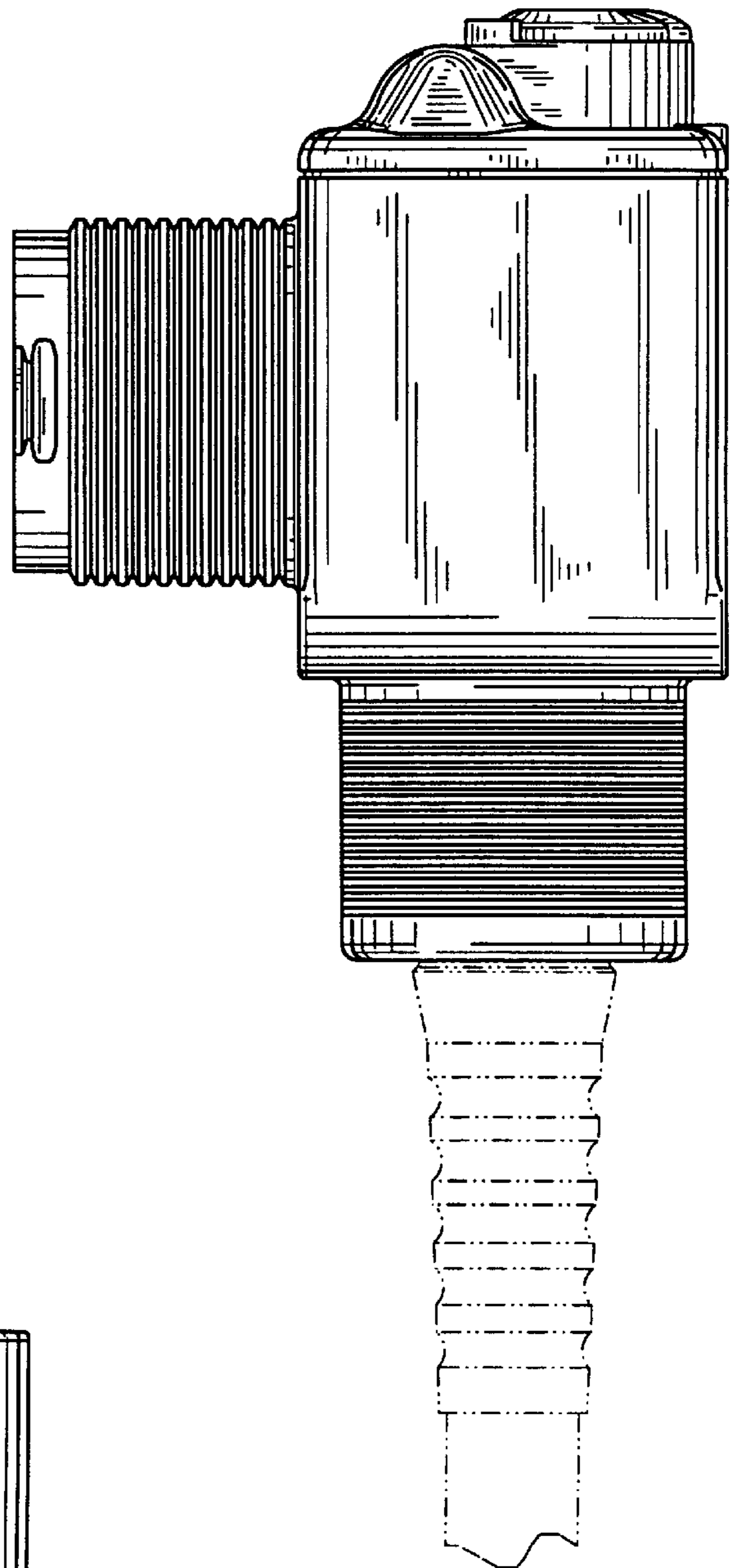


FIG. 6

