



US00D401908S

United States Patent [19] Cook

[11] **Patent Number: Des. 401,908**

[45] **Date of Patent: **Dec. 1, 1998**

[54] **IN-LINE REWIRABLE SWITCH DEVICE**

D. 313,971 1/1991 Rosenbaum et al. D13/160
D. 356,066 3/1995 Rao et al. D13/160
D. 358,368 5/1995 Howard et al. D13/160

[75] Inventor: **David Langman Cook**, Rangiora, New Zealand

[73] Assignee: **PDL Holdings Limited**, Christchurch, New Zealand

Primary Examiner—Brian N. Vinson
Attorney, Agent, or Firm—Dennison, Meserole, Pollack & Scheiner

[**] Term: **14 Years**

[57] **CLAIM**

[21] Appl. No.: **75,152**

The ornamental design for an in-line rewirable switch device, as shown.

[22] Filed: **Aug. 18, 1997**

[30] **Foreign Application Priority Data**

DESCRIPTION

Feb. 20, 1997 [NZ] New Zealand 28262

[51] **LOC (6) Cl.** **13-03**

[52] **U.S. Cl.** **D13/160**

[58] **Field of Search** D13/158, 160,
D13/161, 171; 307/115; 361/42, 45, 46,
114, 115

FIG. 1 is a top perspective view of an in-line rewirable switch device showing my new design;

FIG. 2 is a bottom perspective view thereof taken from the other end;

FIG. 3 is an exploded top perspective view thereof; and,

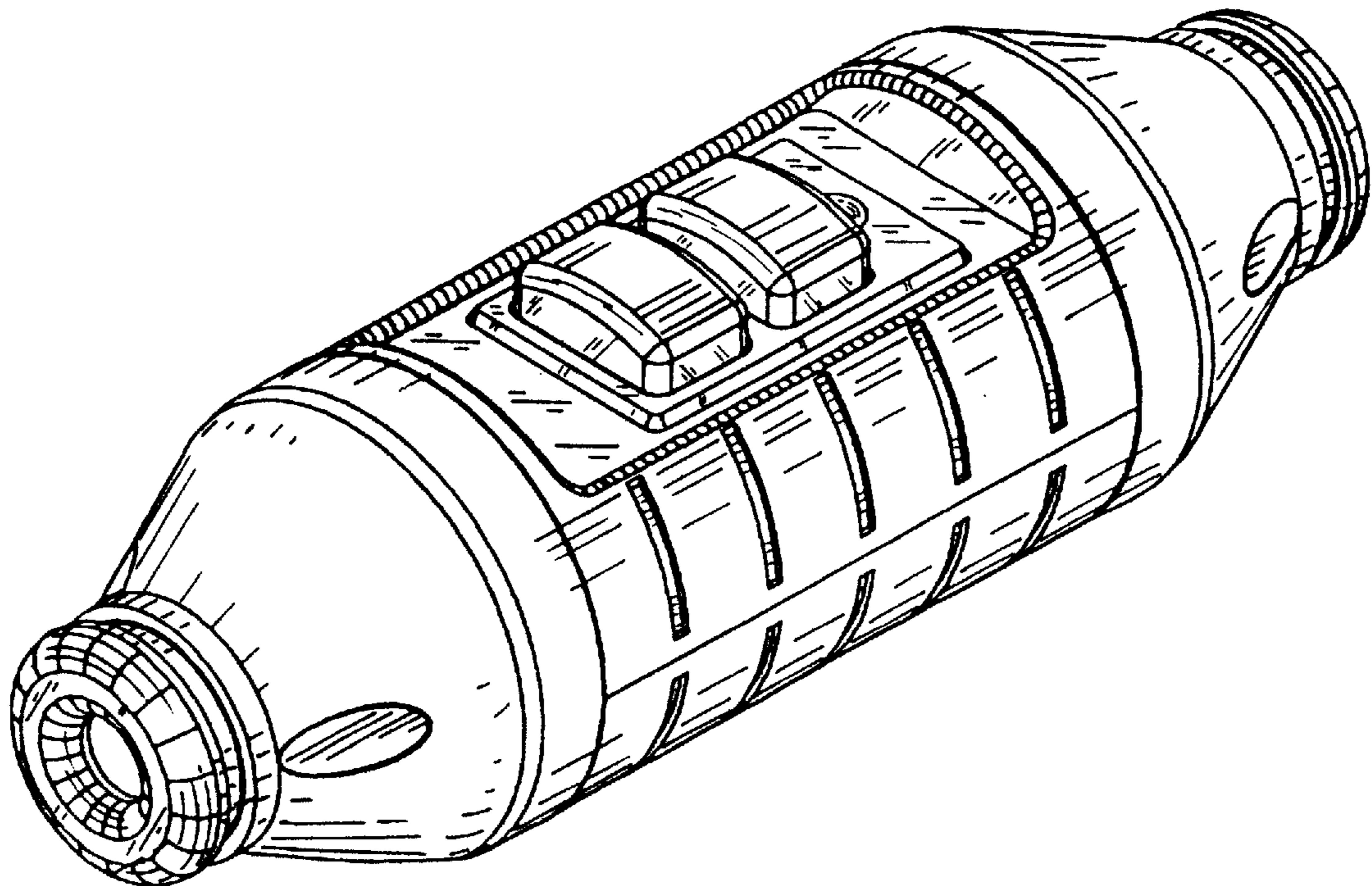
FIG. 4 is an exploded bottom perspective view thereof.

[56] **References Cited**

U.S. PATENT DOCUMENTS

D. 307,579 5/1990 Layne et al. D13/160

1 Claim, 4 Drawing Sheets



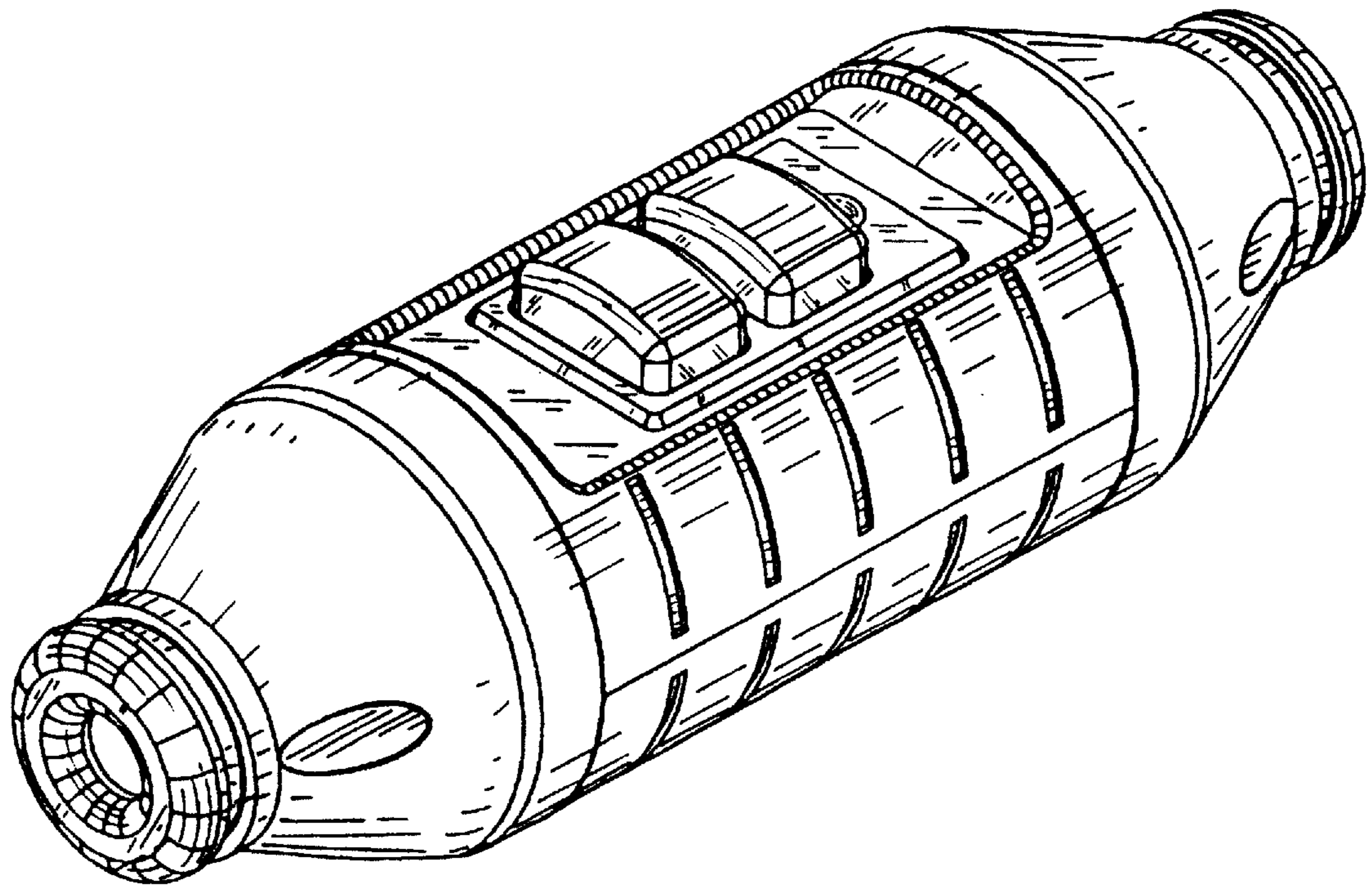


FIG. 1

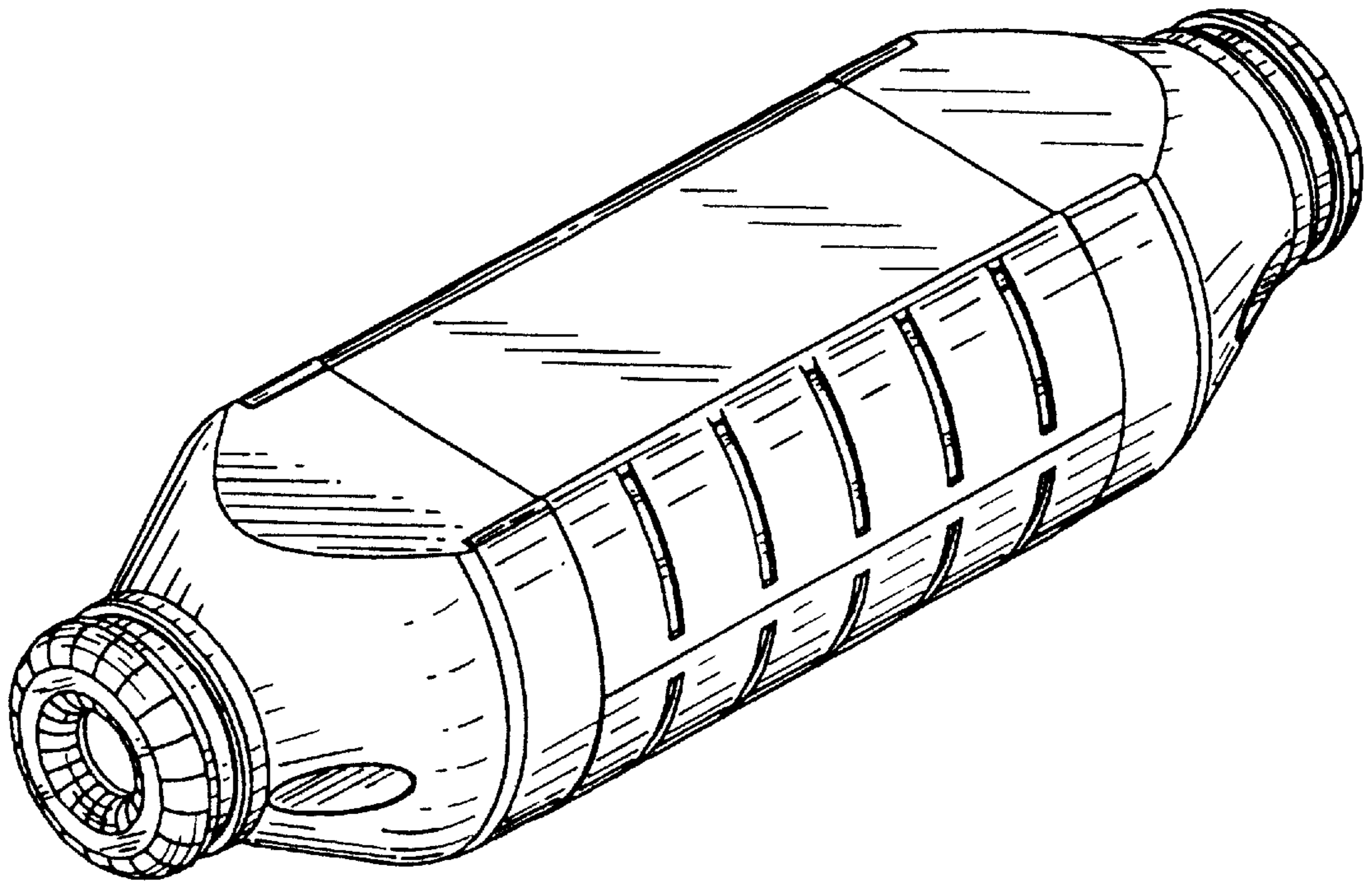
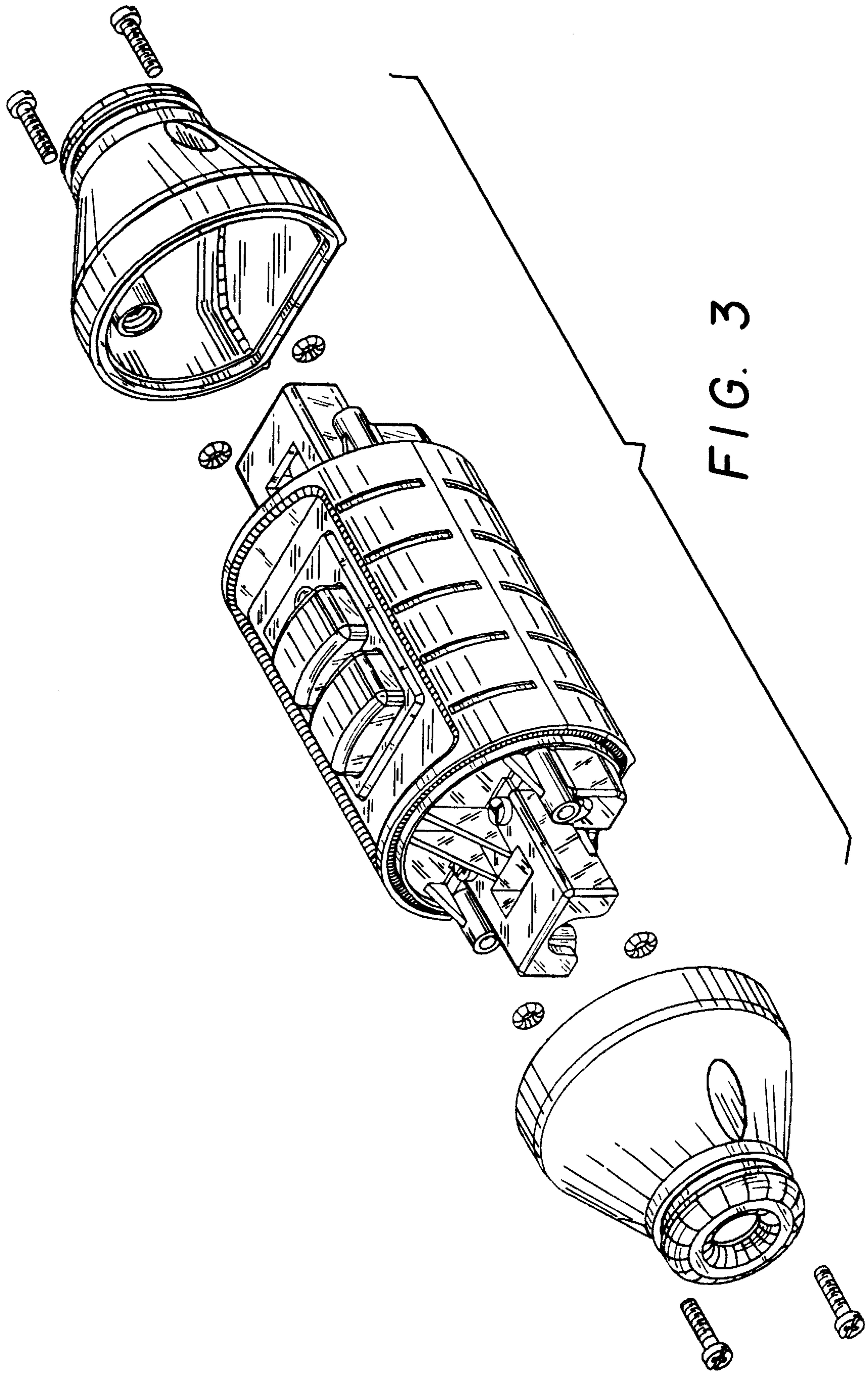


FIG. 2



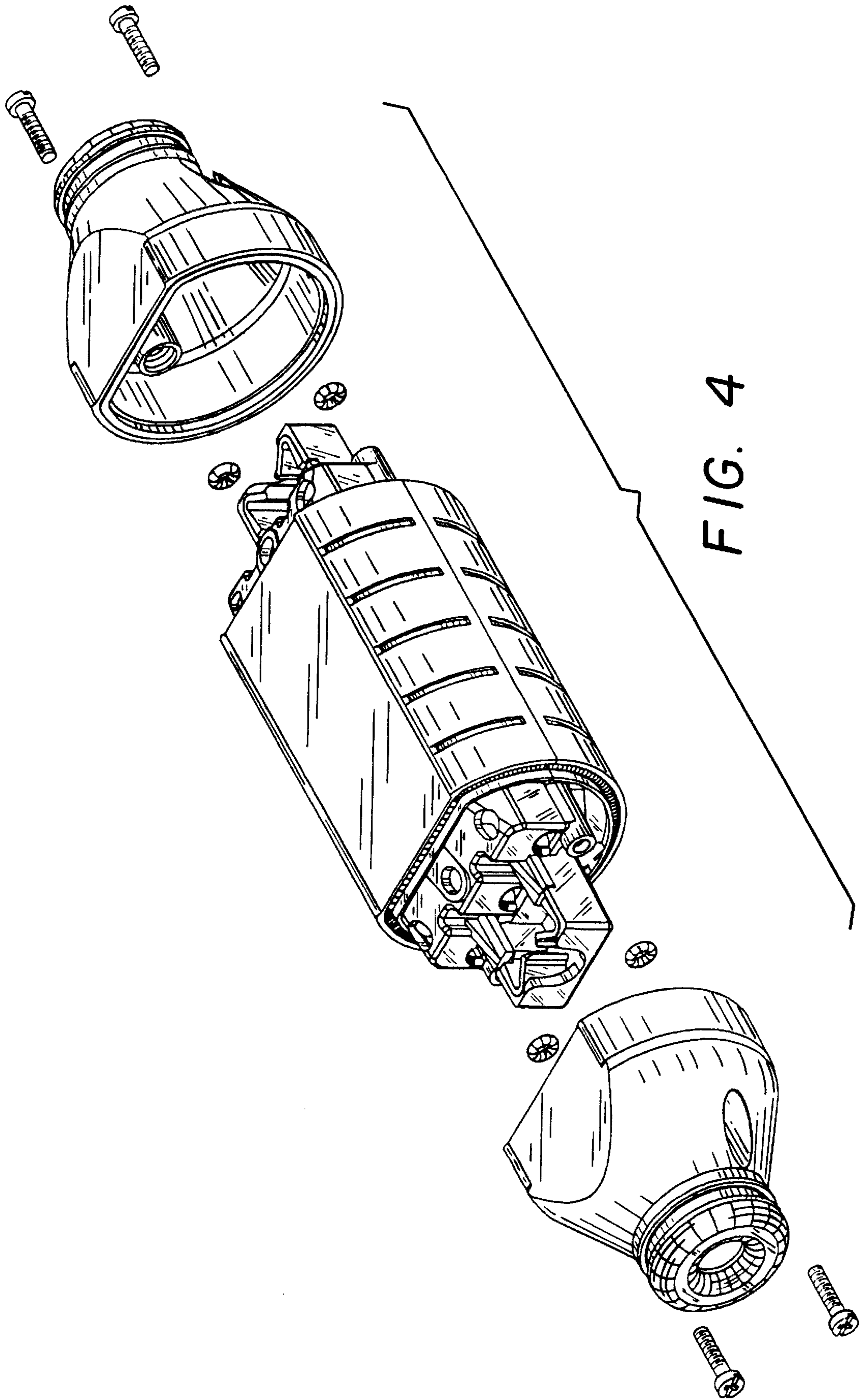


FIG. 4