



US00D401907S

**United States Patent** [19]  
**Gazerro**

[11] **Patent Number: Des. 401,907**

[45] **Date of Patent: \*\*Dec. 1, 1998**

[54] **ELECTRICAL CABLE RUNNING GUIDE**

[76] Inventor: **Peter Gazerro**, 6040 Turnergrove Dr.,  
Lakewood, Calif. 90713

[\*\*] Term: **14 Years**

[21] Appl. No.: **63,651**

[22] Filed: **Dec. 12, 1996**

[51] **LOC (6) Cl.** ..... **13-03**

[52] **U.S. Cl.** ..... **D13/155; D8/14**

[58] **Field of Search** ..... **D13/155; D8/14;**  
**254/134.3 R, 134.3 FT, 134.4, 389; 174/152 G,**  
**153 G**

3,363,879	1/1968	Irik .....	254/134.3 FT
3,514,048	5/1970	Lowery .....	254/134.3 FT
4,132,665	1/1979	Nelson .....	254/134.3 R
4,796,865	1/1989	Marchetti .....	254/134.3 FT
5,300,734	4/1994	Suzuki .....	174/152 G
5,448,017	9/1995	Nakajima et al. ....	174/152 G
5,639,993	6/1997	Ieno et al. ....	174/153 G

*Primary Examiner*—Joel Sincavage

*Attorney, Agent, or Firm*—Charles H. Thomas

[57] **CLAIM**

The ornamental design for the article an electrical cable running guide, as shown and described.

**DESCRIPTION**

FIG. 1 a perspective view illustrating my new design;  
FIG. 2 is a front elevational view thereof;  
FIG. 3 is a left-side elevational view thereof, it being understood that the right-side elevational view is a mirror image thereof;  
FIG. 4 is top plan view thereof;  
FIG. 5 is a bottom plan view thereof; and,  
FIG. 6 is a rear elevational view thereof.

**1 Claim, 3 Drawing Sheets**

[56] **References Cited**

**U.S. PATENT DOCUMENTS**

2,946,558	8/1960	Ferm .....	254/134.3 FT
2,946,560	5/1960	Ferm .....	254/134.3 FT
3,037,744	6/1962	Cooper .....	254/134.3 FT
3,038,702	6/1962	Trunnell .....	254/134.3 FT
3,052,450	9/1962	Trunnell .....	254/134.3 FT
3,110,093	11/1963	Johnson .....	254/134.3 FT
3,160,394	12/1964	Hunter et al. ....	254/134.3 R

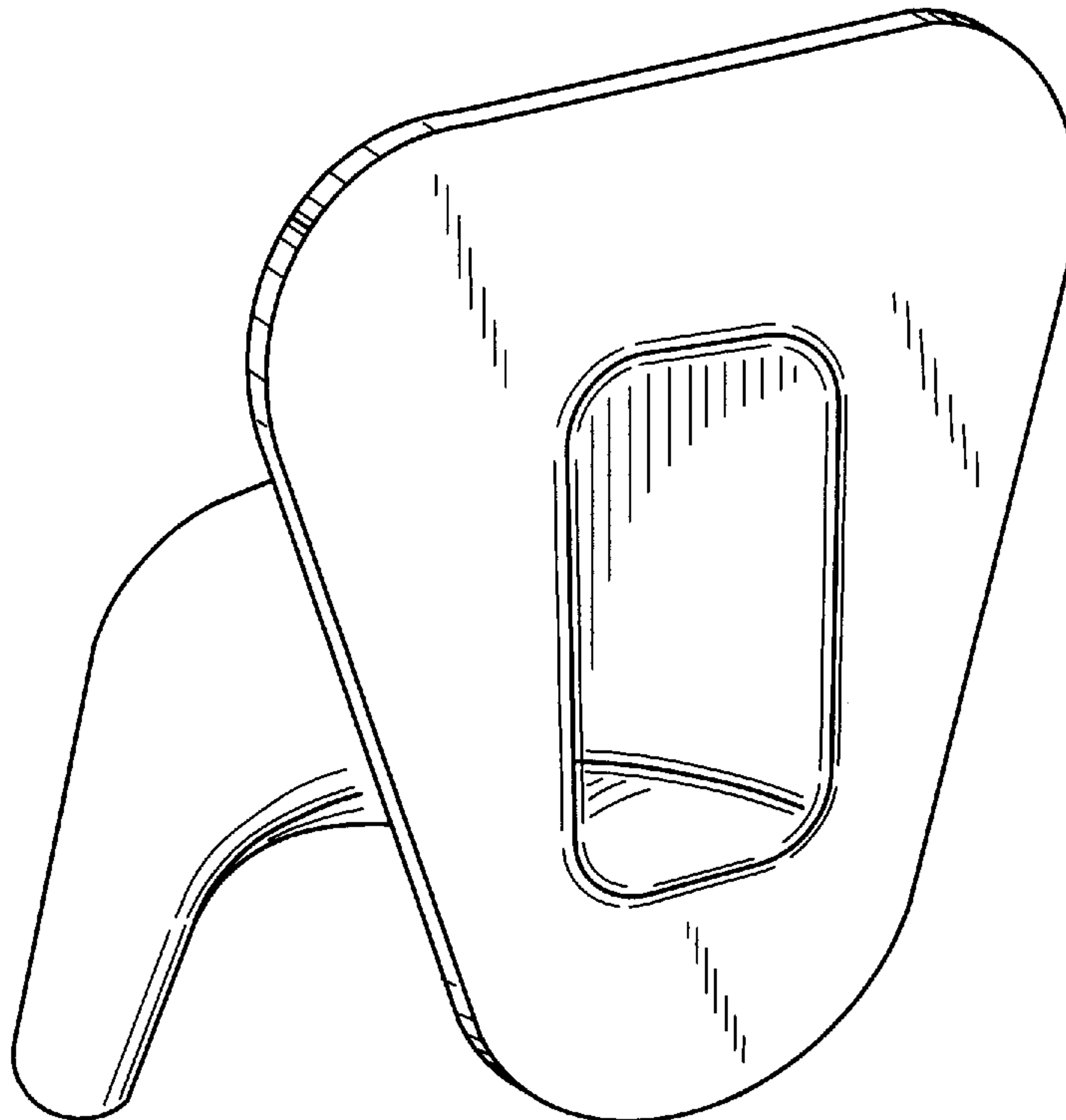


FIG. 1

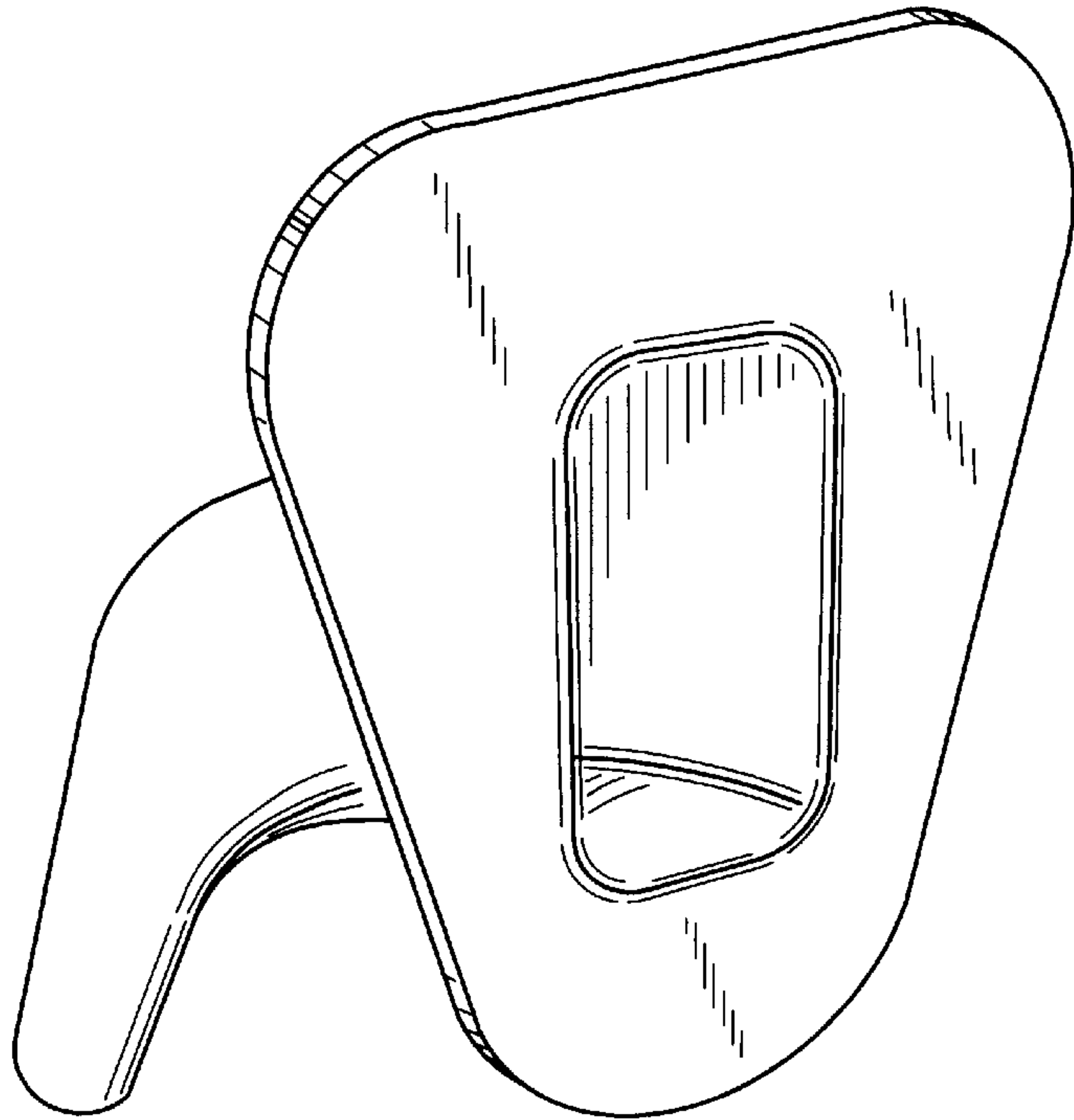


FIG. 2

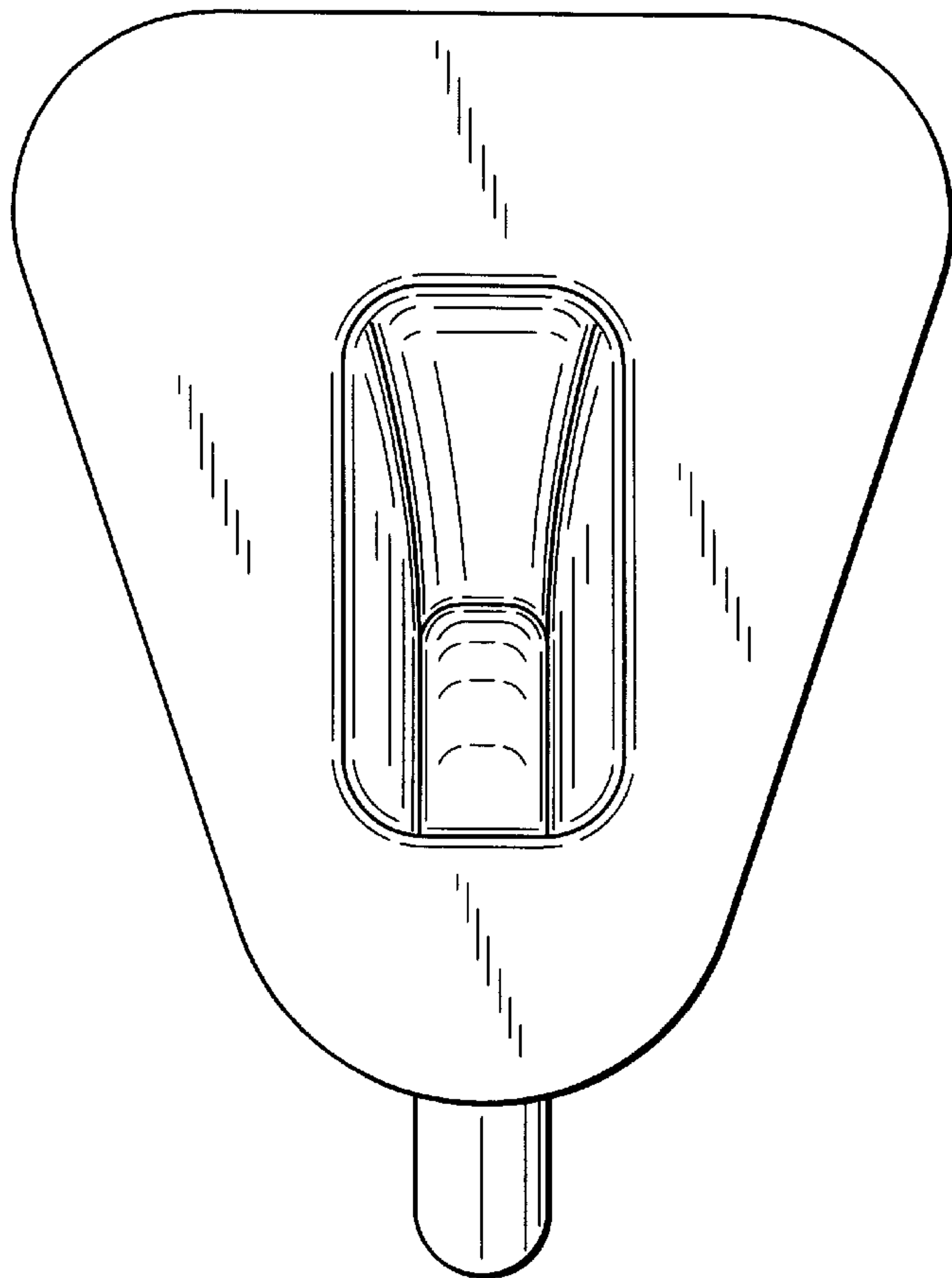


FIG. 3

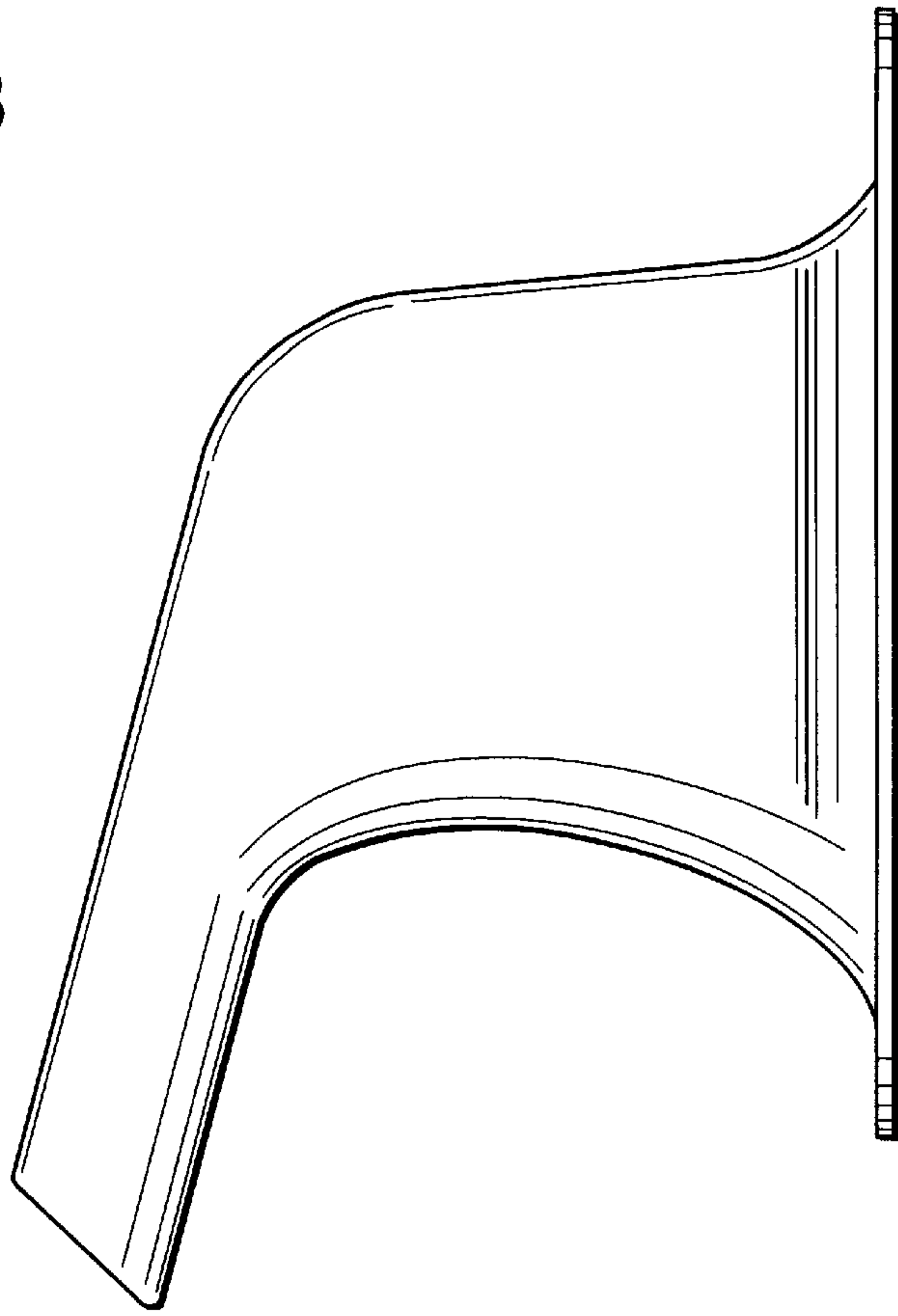


FIG. 4

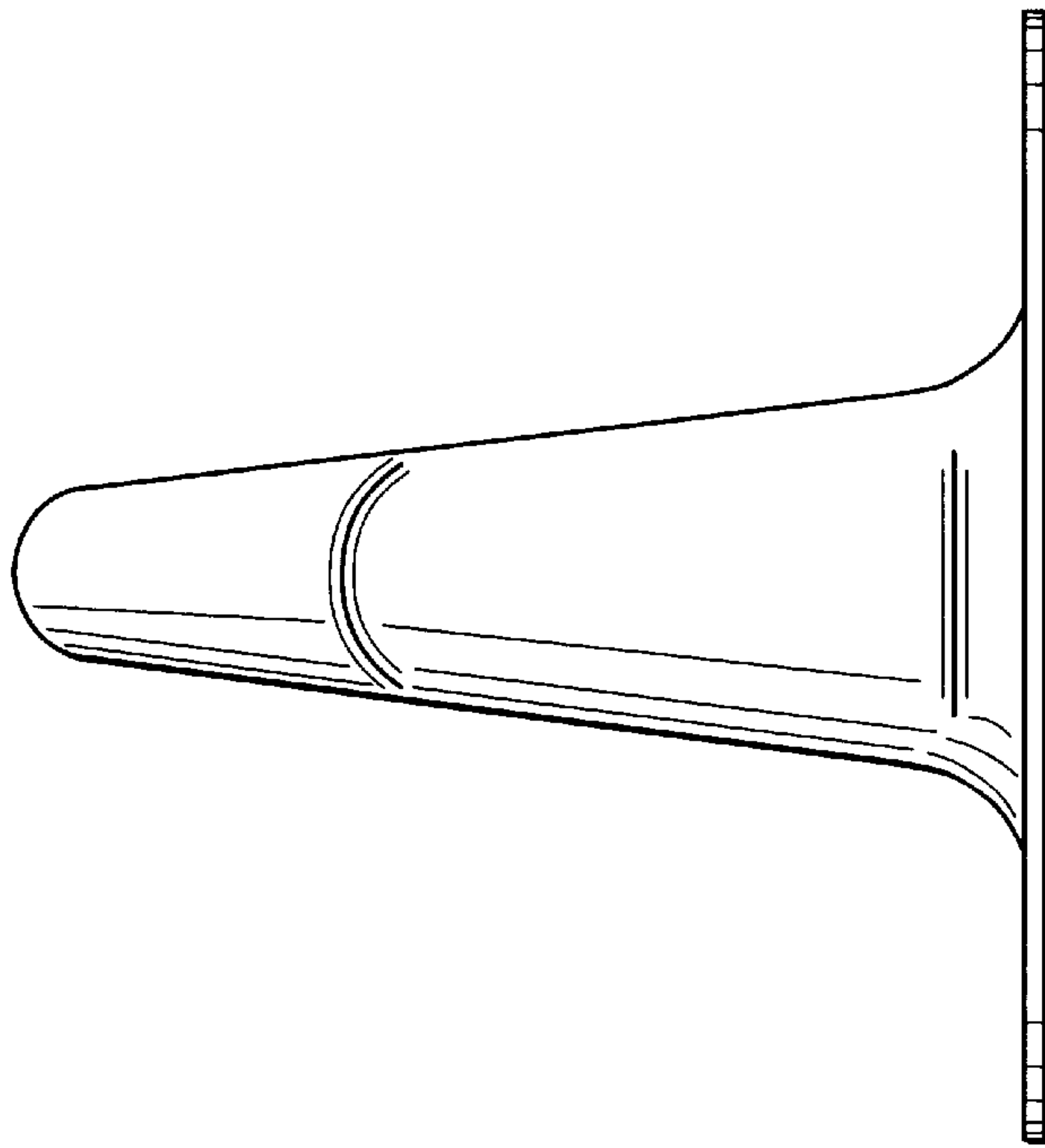


FIG. 5

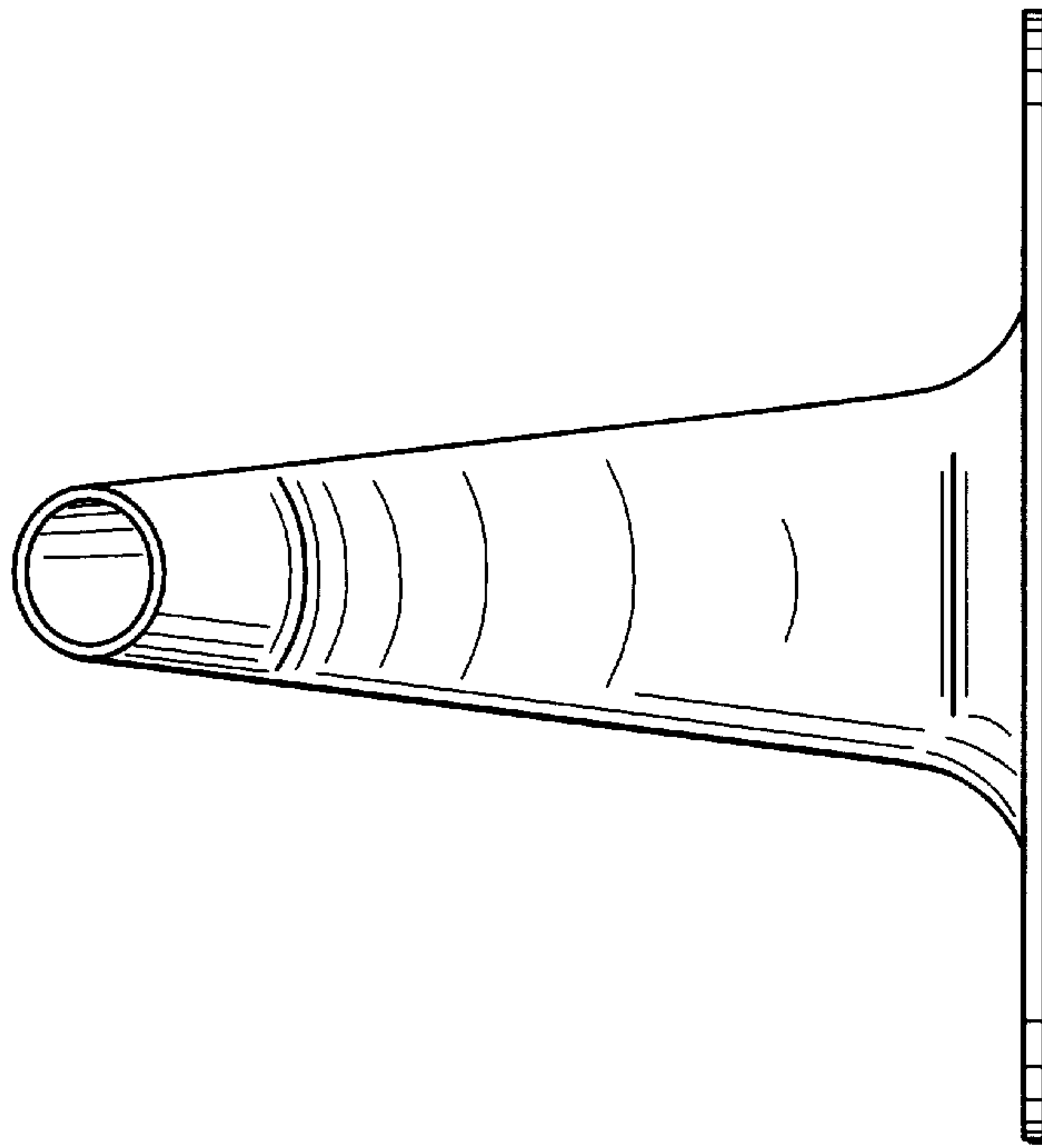


FIG. 6

