



US00D401906S

United States Patent [19]

Brownell et al.

[11] Patent Number: **Des. 401,906**

[45] Date of Patent: ****Dec. 1, 1998**

[54] **ELECTRICAL CONNECTOR HAVING AN ANGLED HOOD**

5,167,530 12/1992 Wallgren et al. .
5,411,414 5/1995 House et al. .
5,562,479 10/1996 Pallas et al. .

[75] Inventors: **Kenneth W. Brownell**, Marion; **John G. Shram**, Weaverville, both of N.C.

Primary Examiner—Alan P. Douglas
Assistant Examiner—Lavone D. Tabor
Attorney, Agent, or Firm—Carter & Schnedler, P.A.

[73] Assignee: **Superior Modular Products, Incorporated**, Swannana, N.C.

[57] **CLAIM**

[**] Term: **14 Years**

The ornamental design for an electrical connector having an angled hood, as shown and described.

[21] Appl. No.: **79,779**

DESCRIPTION

[22] Filed: **Nov. 25, 1997**

[51] **LOC (6) Cl.** **13-03**

[52] **U.S. Cl.** **D13/147**

[58] **Field of Search** D13/133, 146,
D13/147; 439/607-610, 638, 901, 902

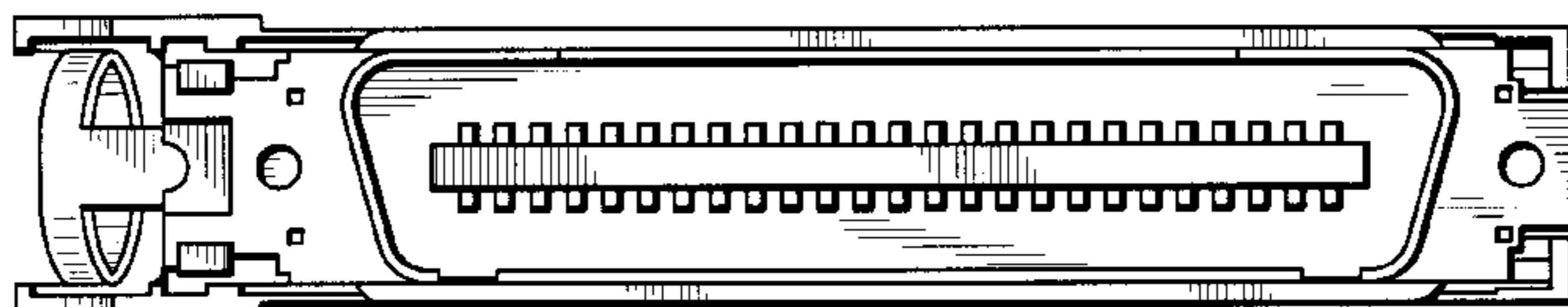
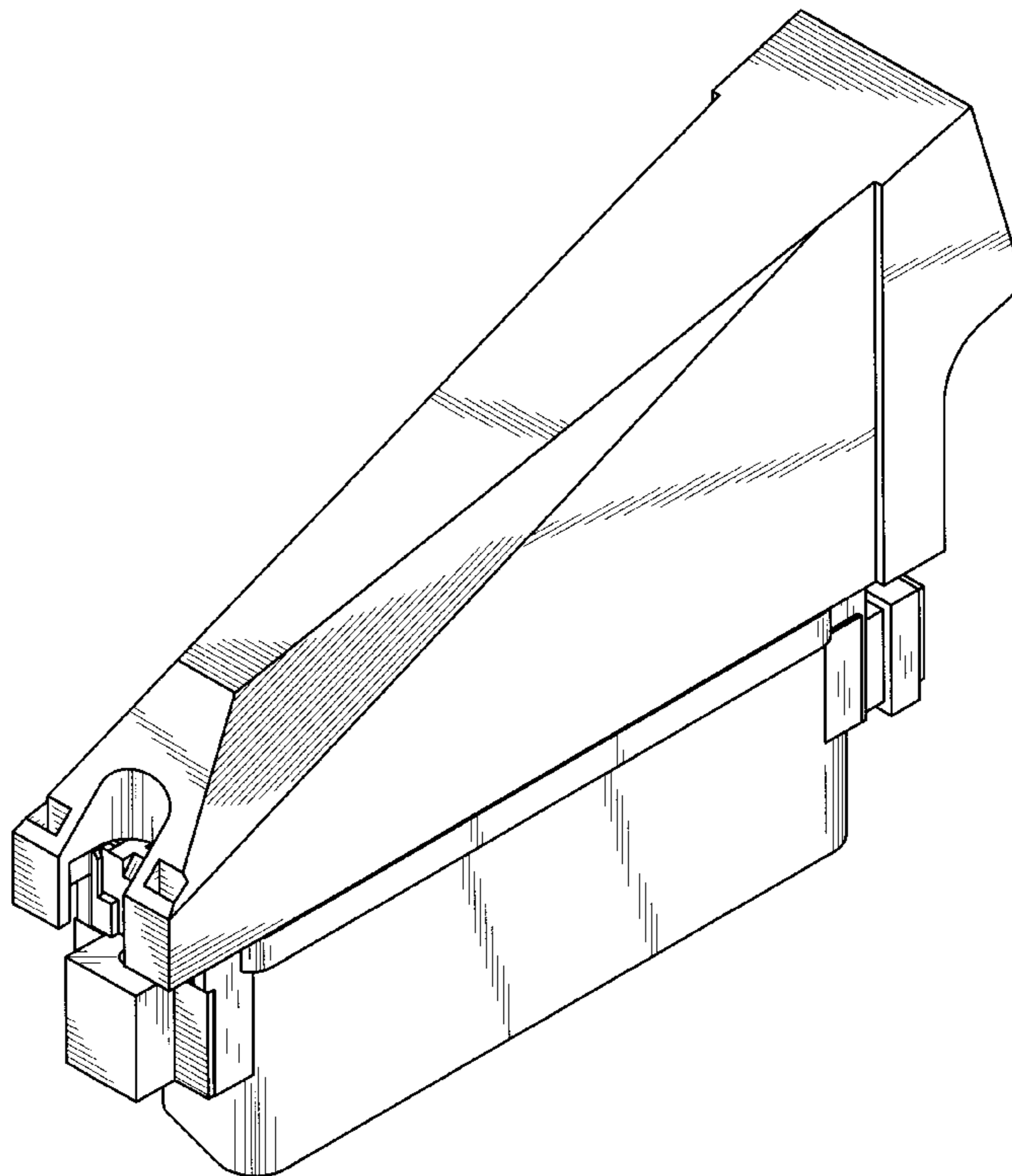
FIG. 1 is a rear/side perspective view of an electrical connector having an angled hood showing our new design; FIG. 2 is a front/side perspective view thereof; FIG. 3 is a side elevational view thereof showing one side, the portion of the cable is shown in broken lines for illustrative purposes only and forms no part of the claimed drawings; FIG. 4 is a side elevational view thereof showing the other side; FIG. 5 is a front elevational view thereof; FIG. 6 is a rear elevational view thereof; FIG. 7 is a top view thereof; and, FIG. 8 is a bottom view of thereof.

[56] **References Cited**

U.S. PATENT DOCUMENTS

D. 225,857	1/1973	Kourimsky	D13/133
2,439,320	12/1948	Hesse et al.	439/902 X
3,975,075	8/1976	Mason	.	
4,203,643	5/1980	Kroiak et al.	439/902 X
4,408,819	10/1983	Guelden	439/638
4,583,799	4/1986	Wiley	.	
4,771,367	9/1988	Serr et al.	.	

1 Claim, 5 Drawing Sheets



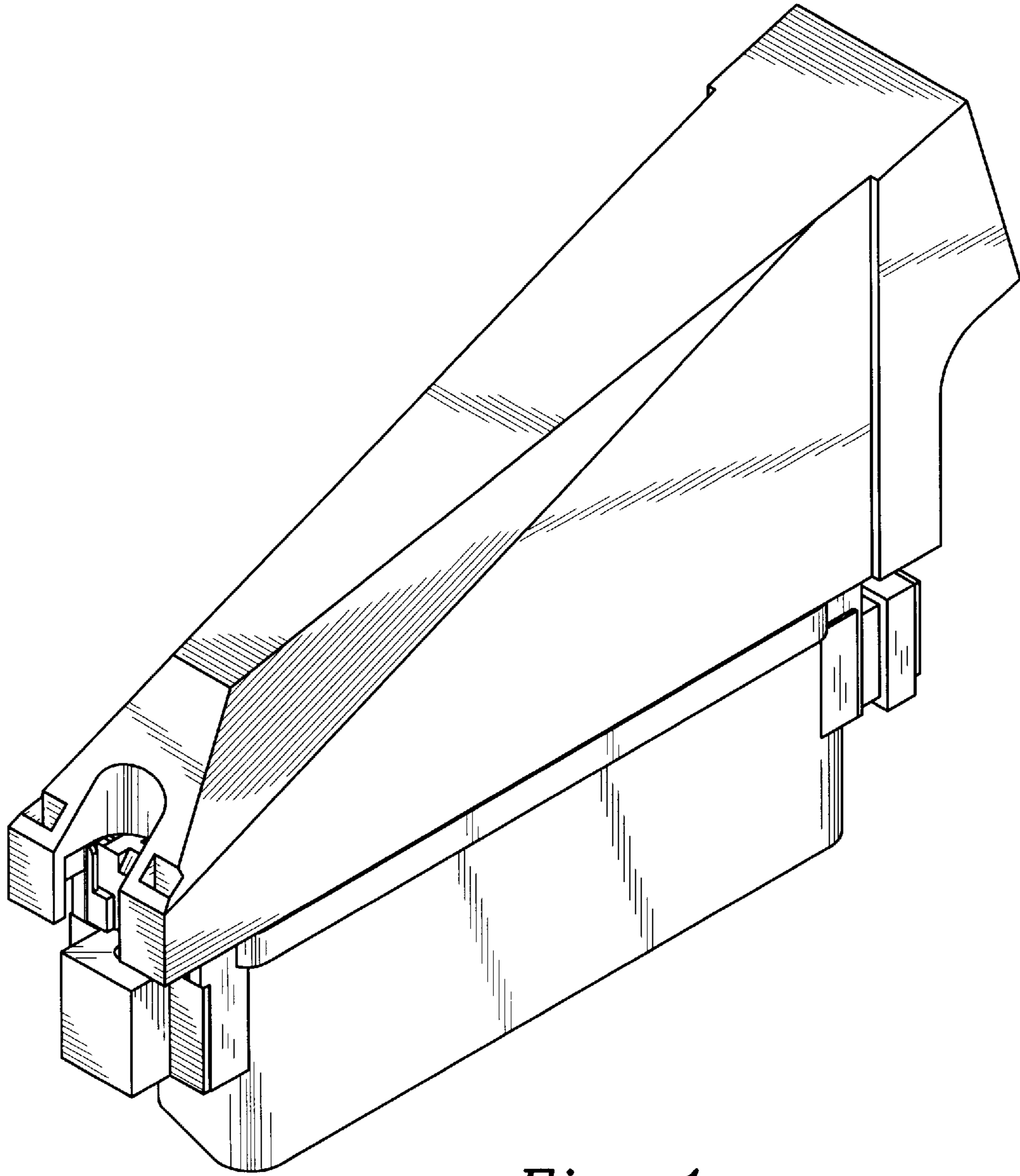


Fig. 1

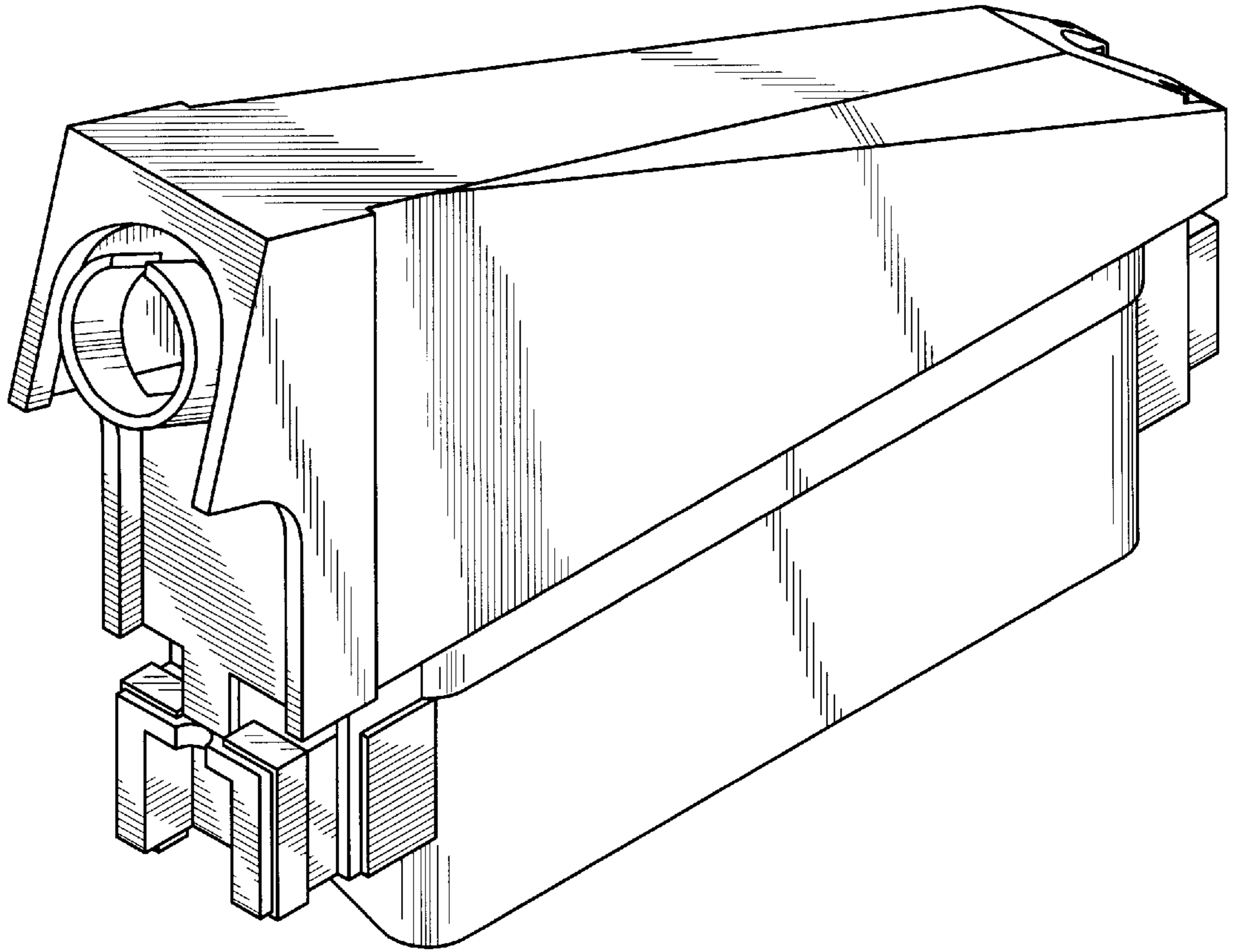


Fig. 2

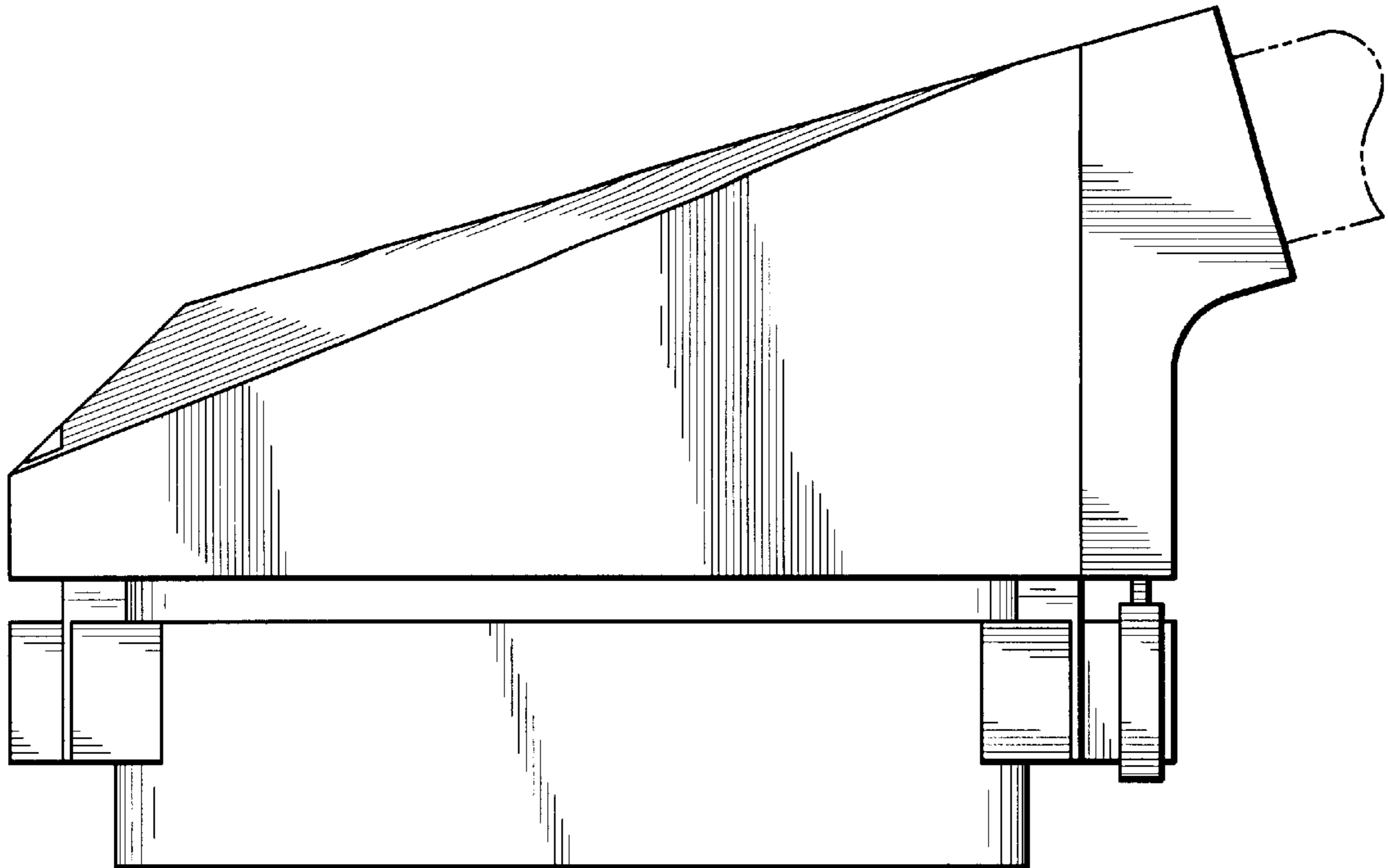


Fig. 3

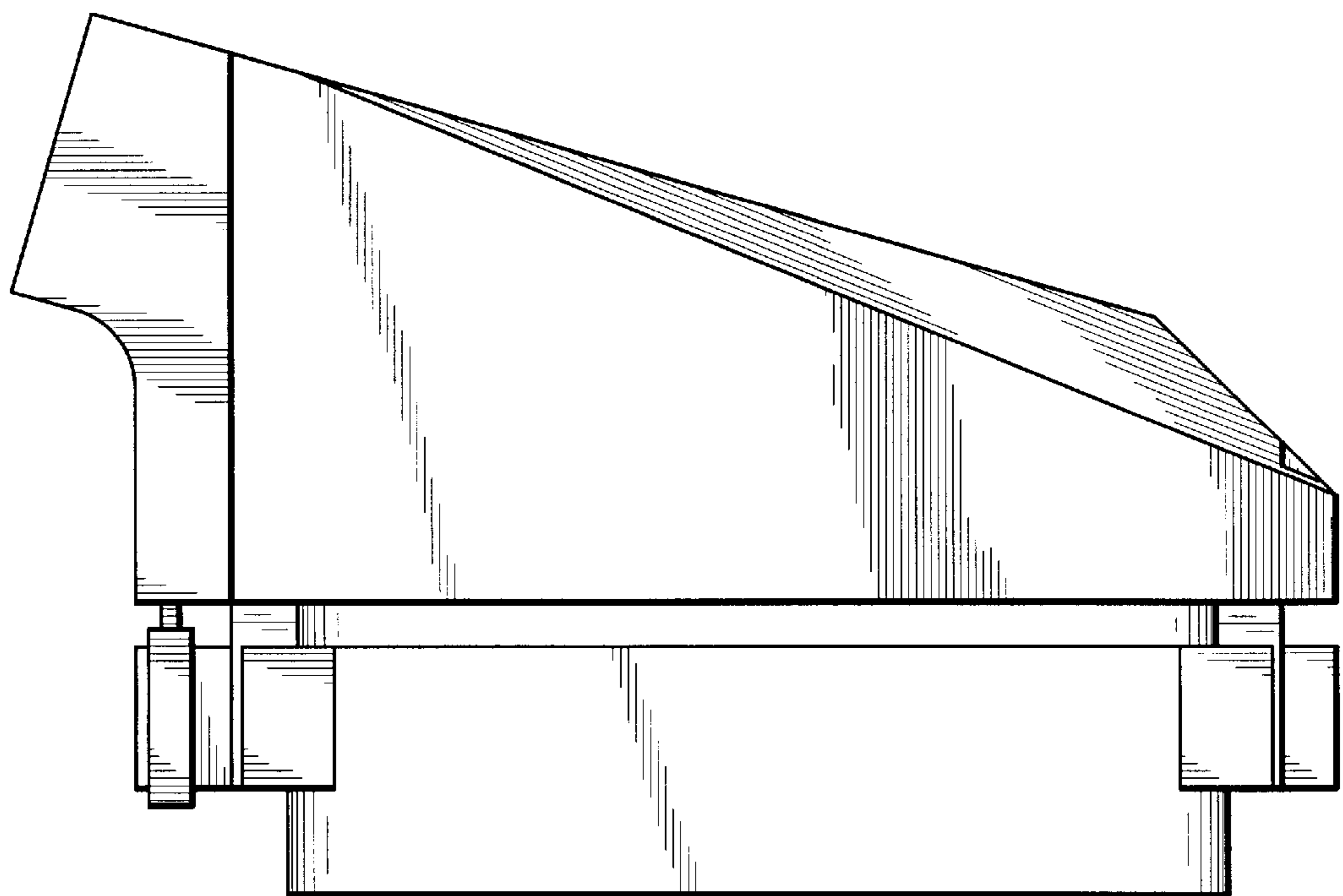


Fig. 4

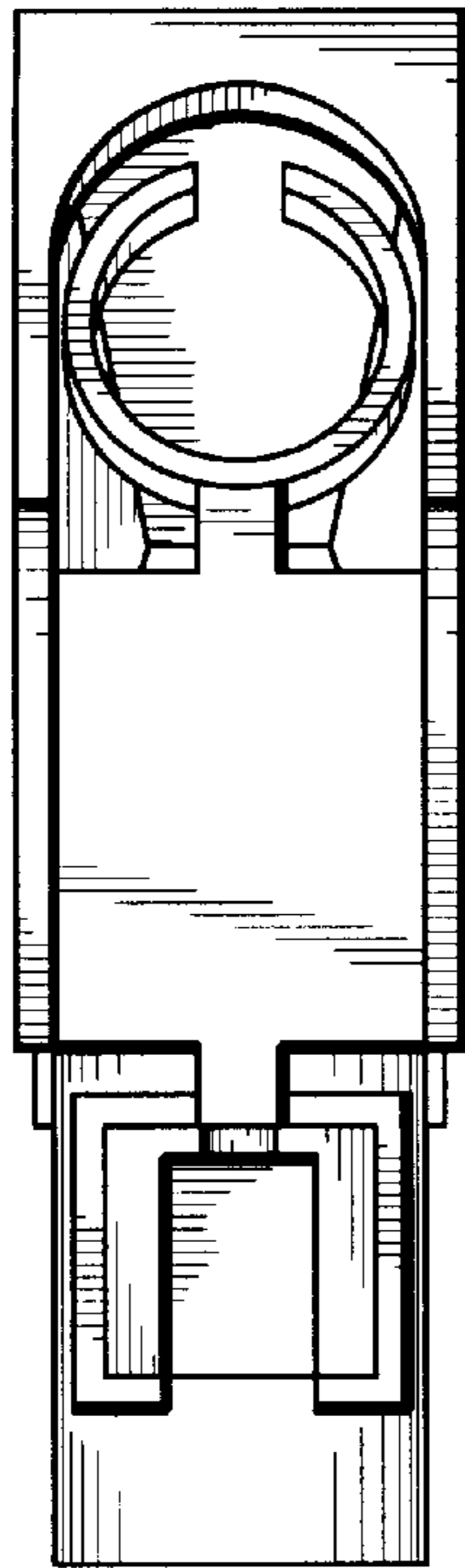


Fig. 5

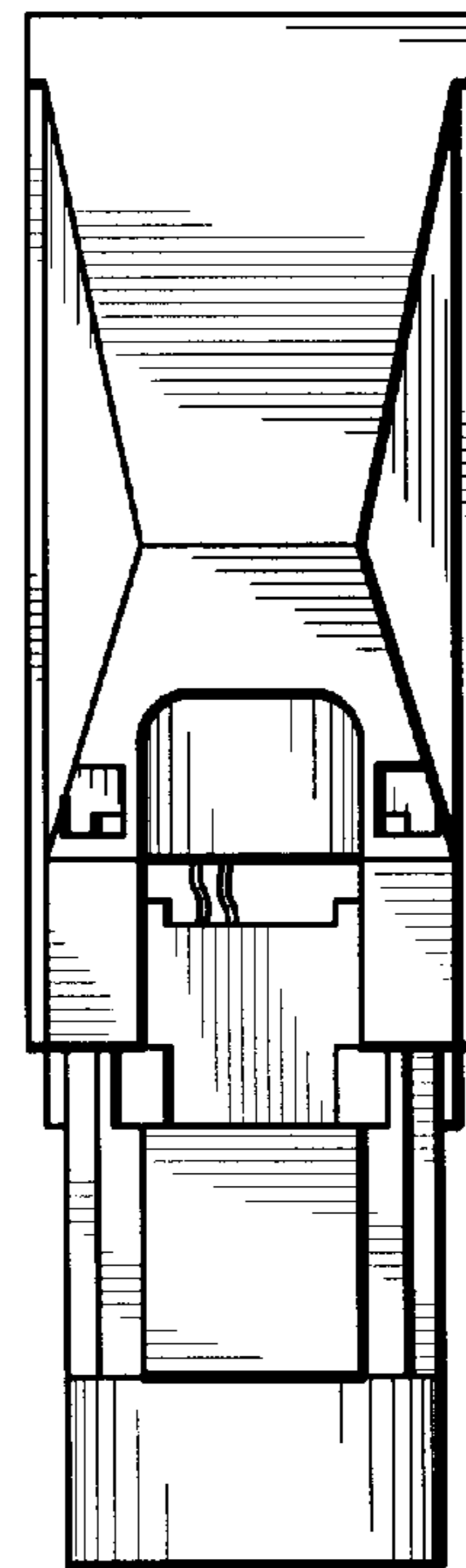


Fig. 6

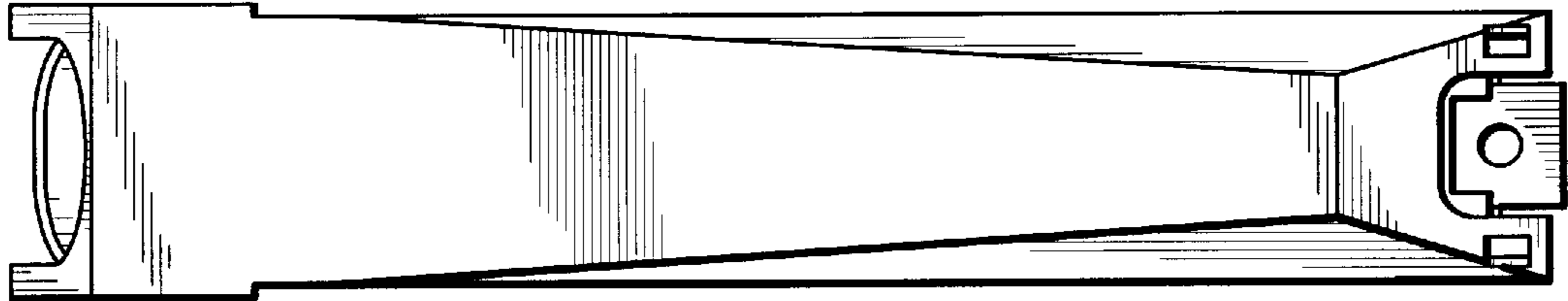


Fig. 7

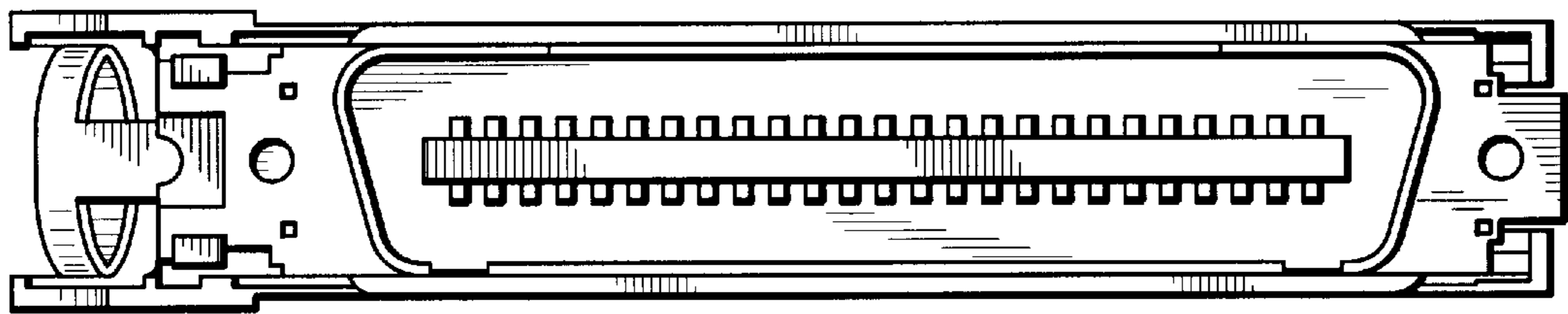


Fig. 8