



US00D401904S

United States Patent [19]

Burke et al.

[11] **Patent Number:** **Des. 401,904**

[45] **Date of Patent:** ****Dec. 1, 1998**

[54] **ELECTRICAL PLUG**

[75] Inventors: **Andrea Burke**, Skaneateles; **Michael P. Zaferakis**, Liverpool, both of N.Y.

[73] Assignee: **Pass & Seymour, Inc.**, Solvay, N.Y.

[**] Term: **14 Years**

[21] Appl. No.: **65,557**

[22] Filed: **Jan. 29, 1997**

[51] **LOC (6) Cl.** **13-03**

[52] **U.S. Cl.** **D13/138.2**

[58] **Field of Search** 439/140, 141,
439/484, 164, 152, 160, 692-697, 606,
106, 483, 682, 685; 337/197, 198; D13/138.1,
138.2, 139.1

[56] **References Cited**

U.S. PATENT DOCUMENTS

- D. 182,942 5/1958 Wrubel D13/138.1
- D. 244,860 6/1977 Jaconette D13/138.1

Primary Examiner—Susan J. Lucas
Assistant Examiner—Jennifer Rivard

Attorney, Agent, or Firm—Bond, schoeneck & King, LLP;
Stephen B. Salai

[57] **CLAIM**

The ornamental design for a housing for an electrical plug, as shown and described.

DESCRIPTION

FIG. 1 is a front elevational view of a housing for an electrical plug, showing my new design;
 FIG. 2 is a back view thereof;
 FIG. 3 is a left side view;
 FIG. 4 is a right side view;
 FIG. 5 is a top view;
 FIG. 6 bottom view; and;
 FIG. 7 is a perspective front view;
 FIG. 8 is a front view of an additional embodiment;
 FIG. 9 is a bottom view;
 FIG. 10 is a left side view;
 FIG. 11 is a right side view;
 FIG. 12 is a top view;
 FIG. 13 is a bottom view; and,
 FIG. 14 is a perspective front view.

The broken lines are shown for illustrative purposes only and form no part of the claimed design.

1 Claim, 14 Drawing Sheets

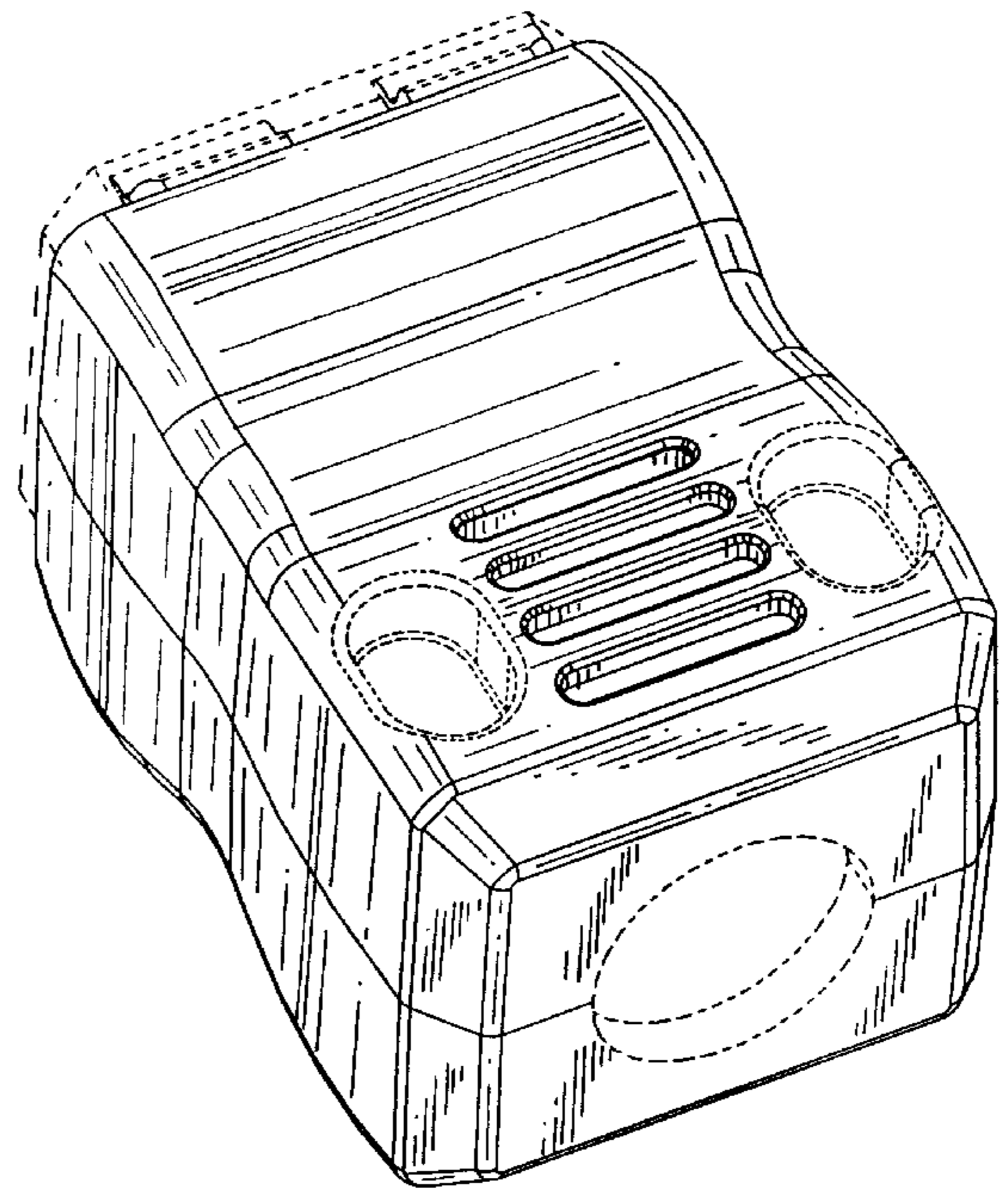
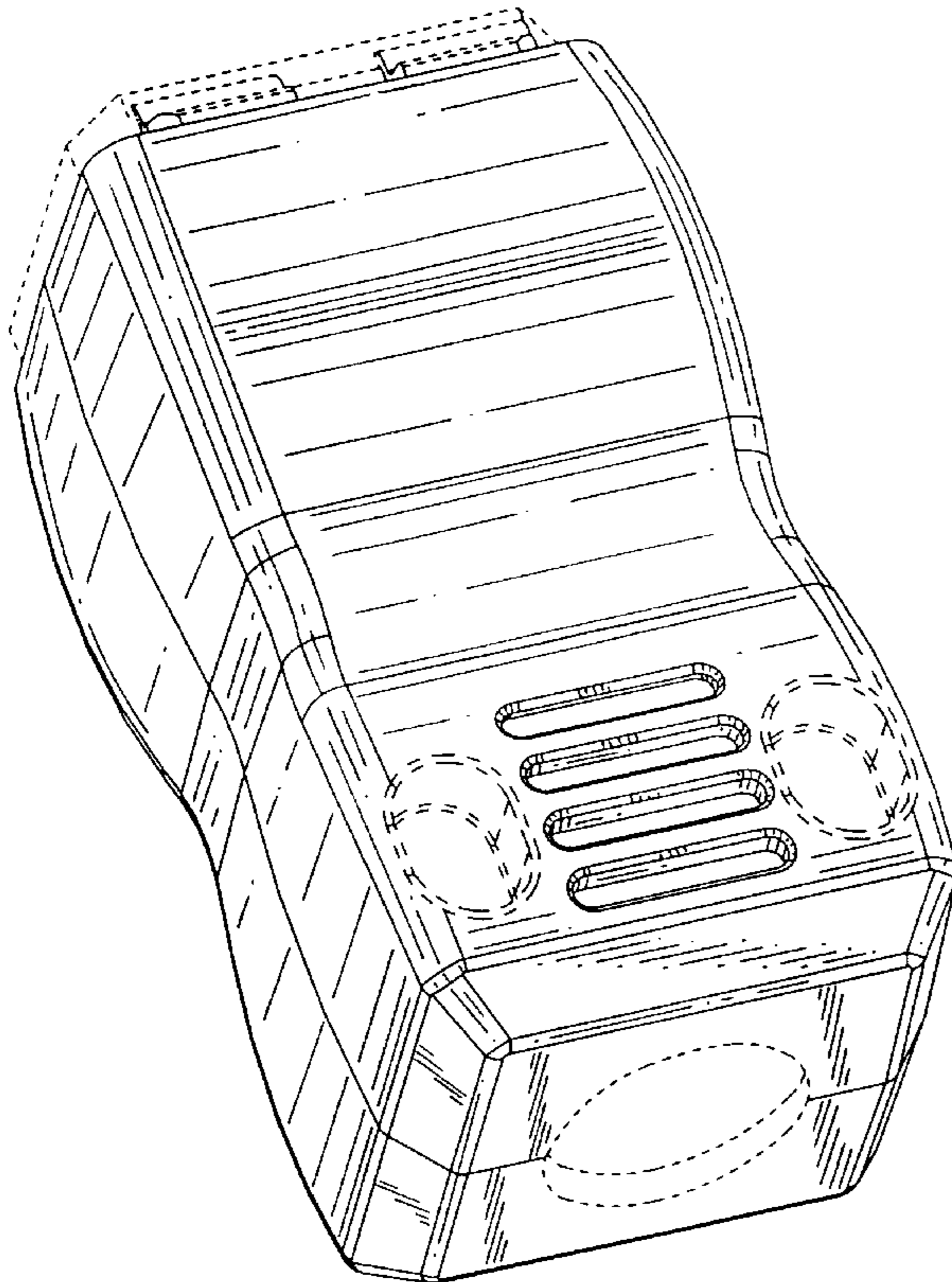
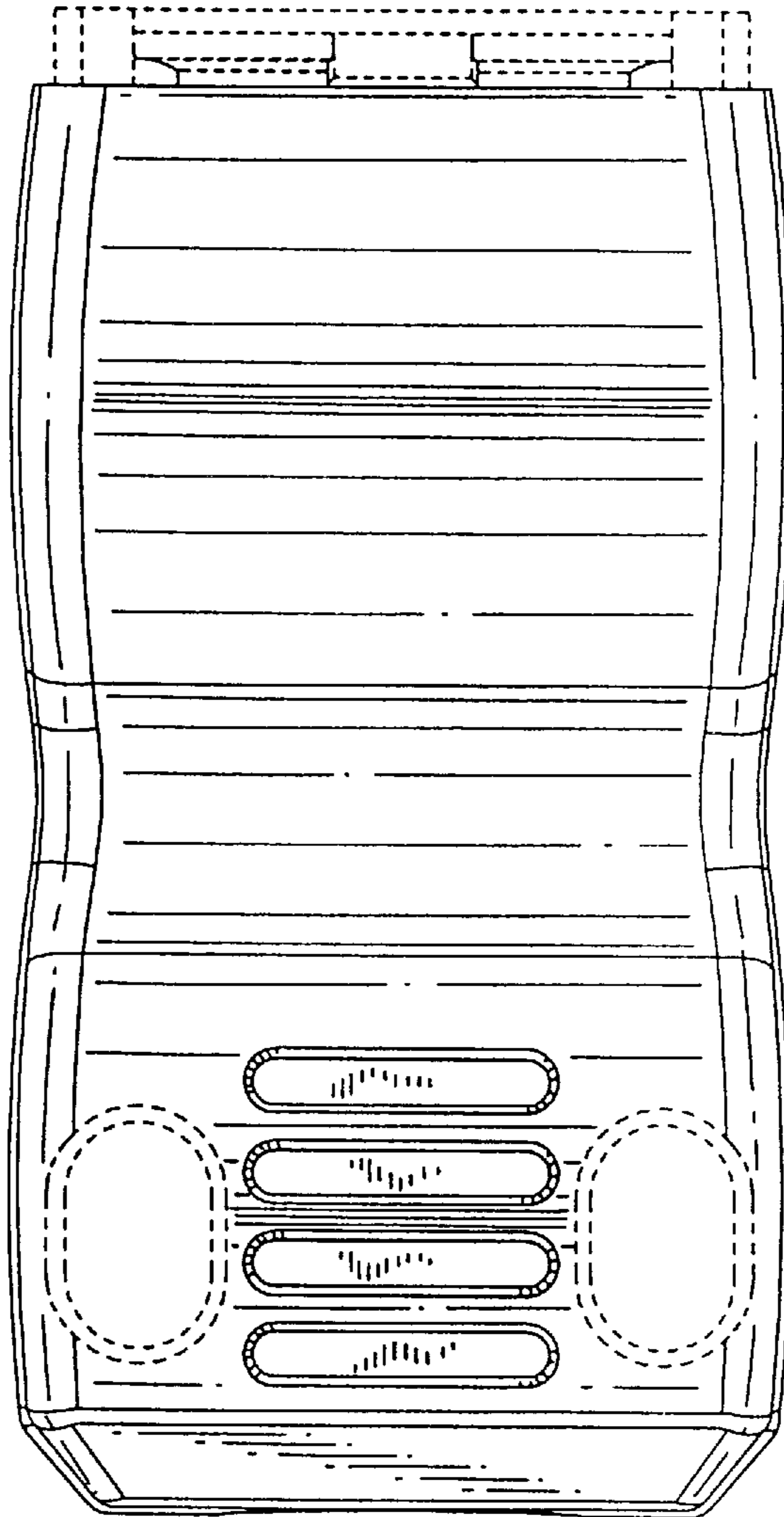


FIG. 1



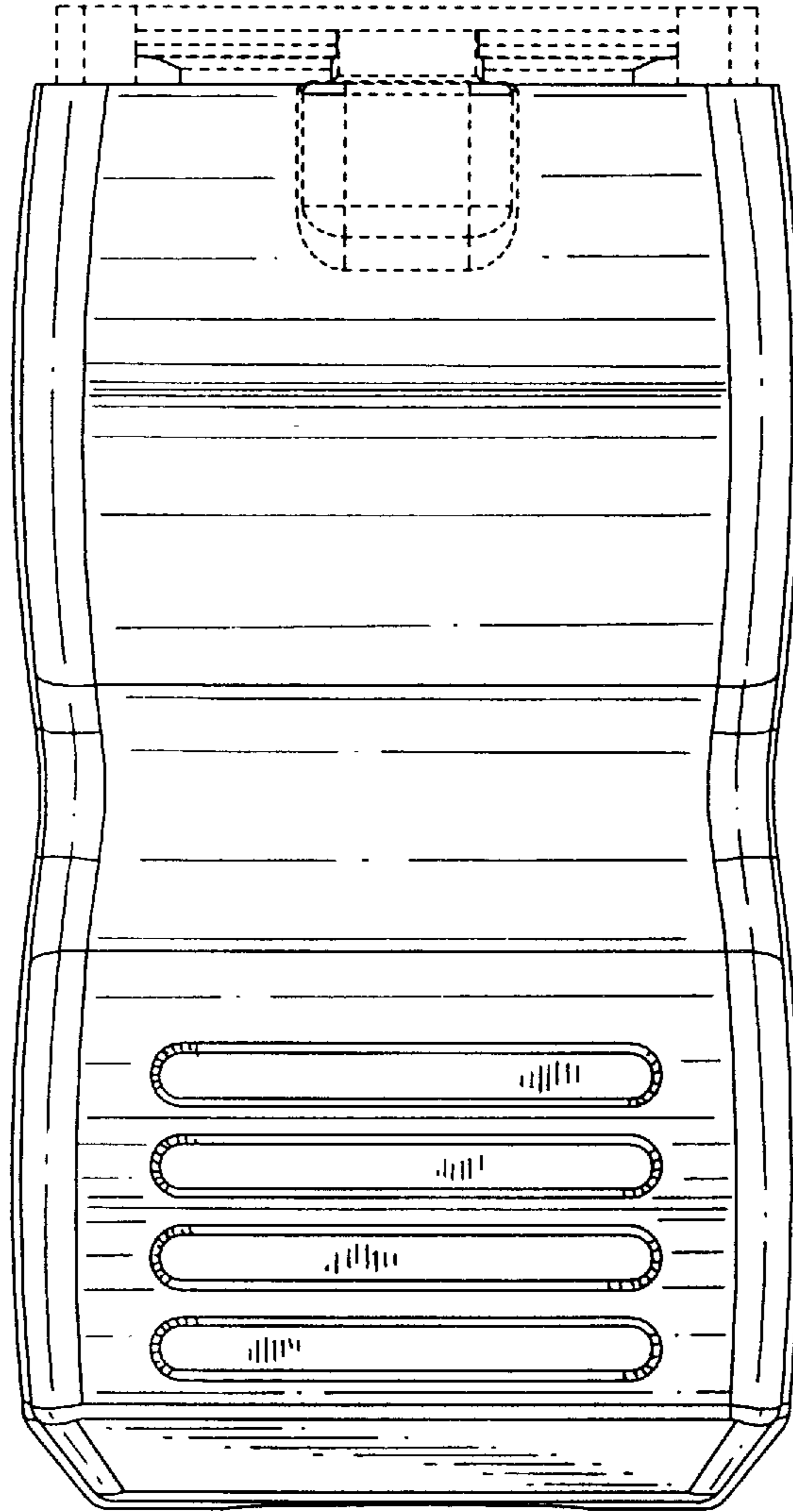


FIG. 2

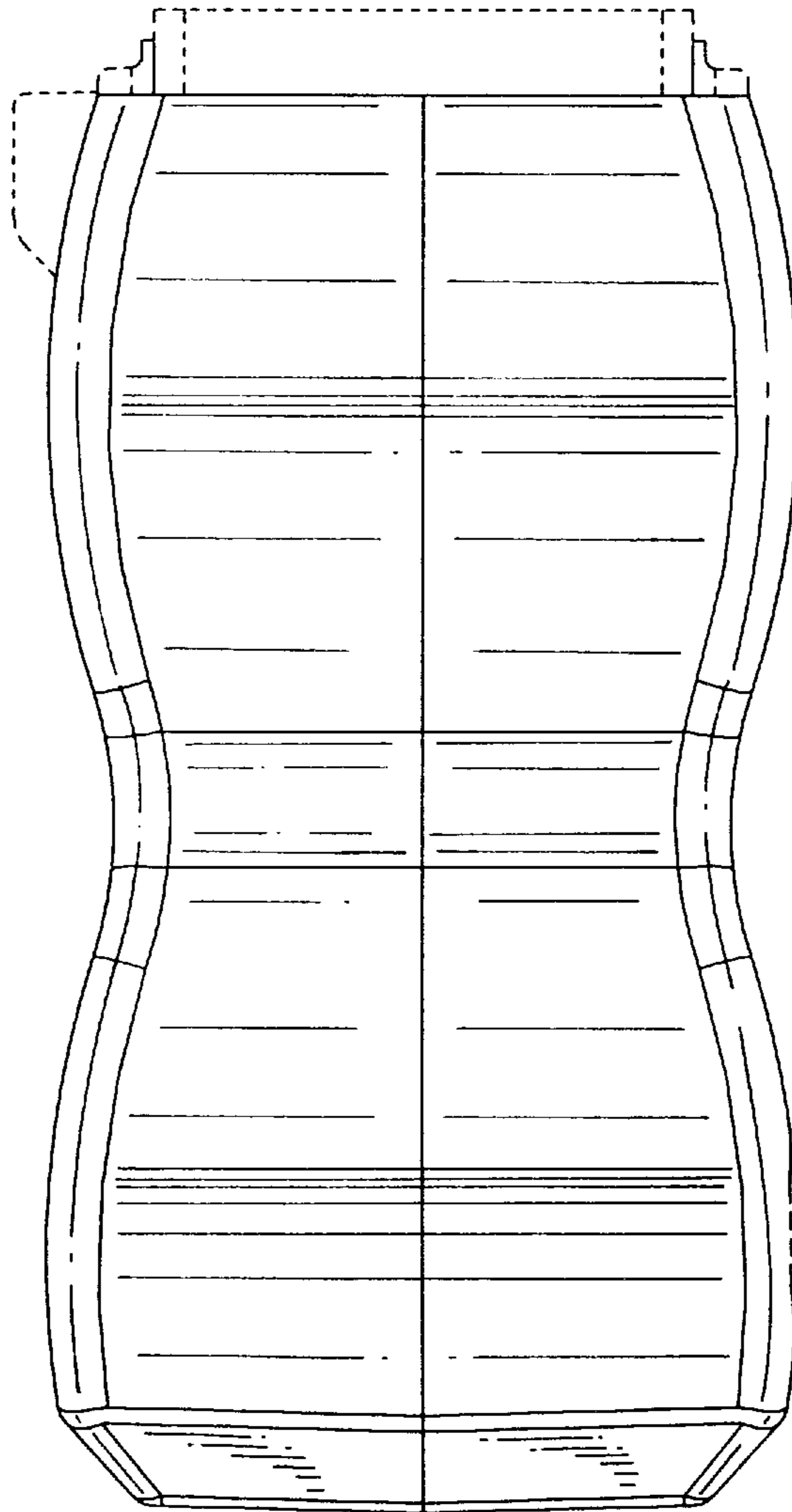


FIG. 3

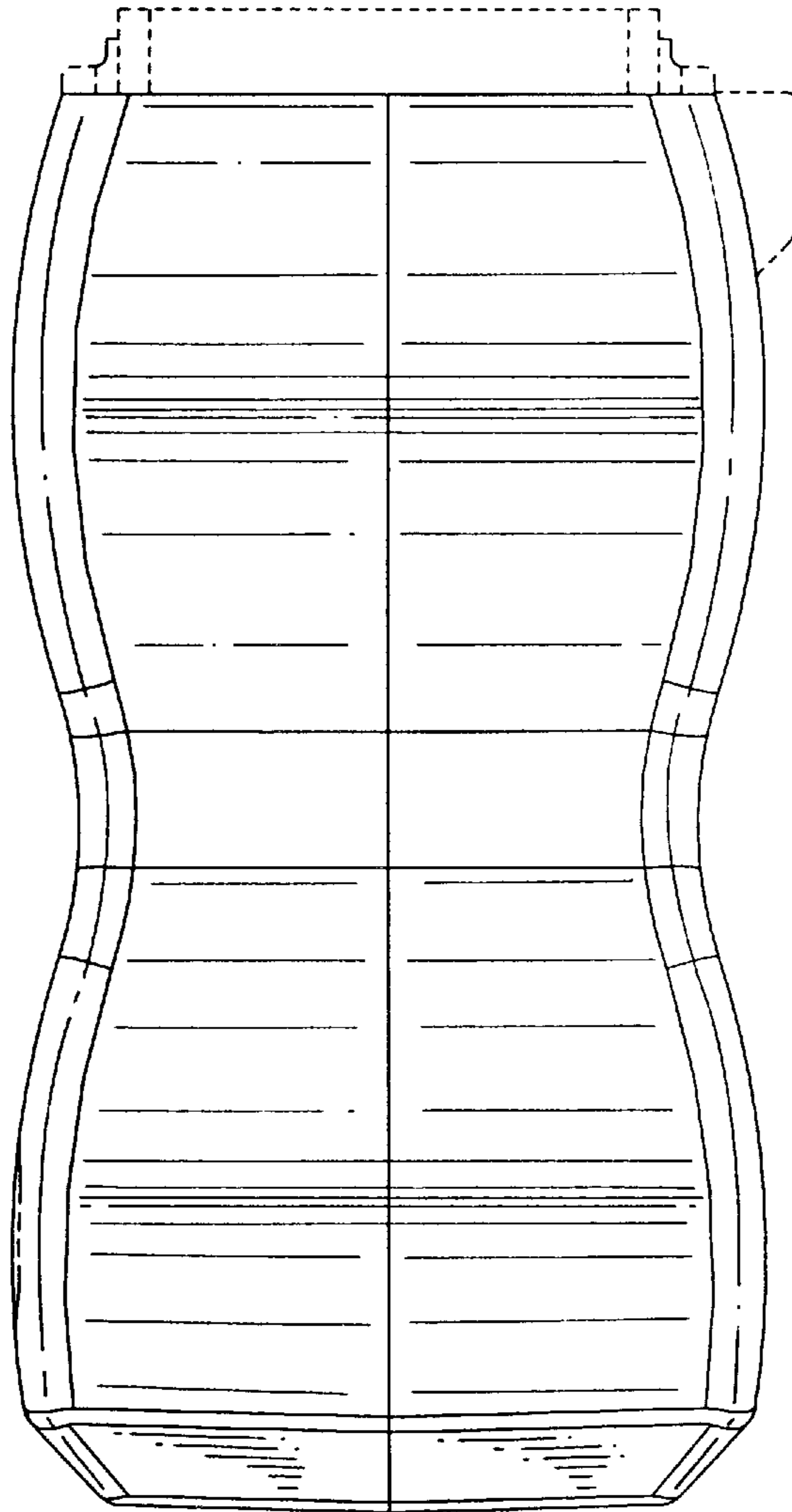


FIG. 4

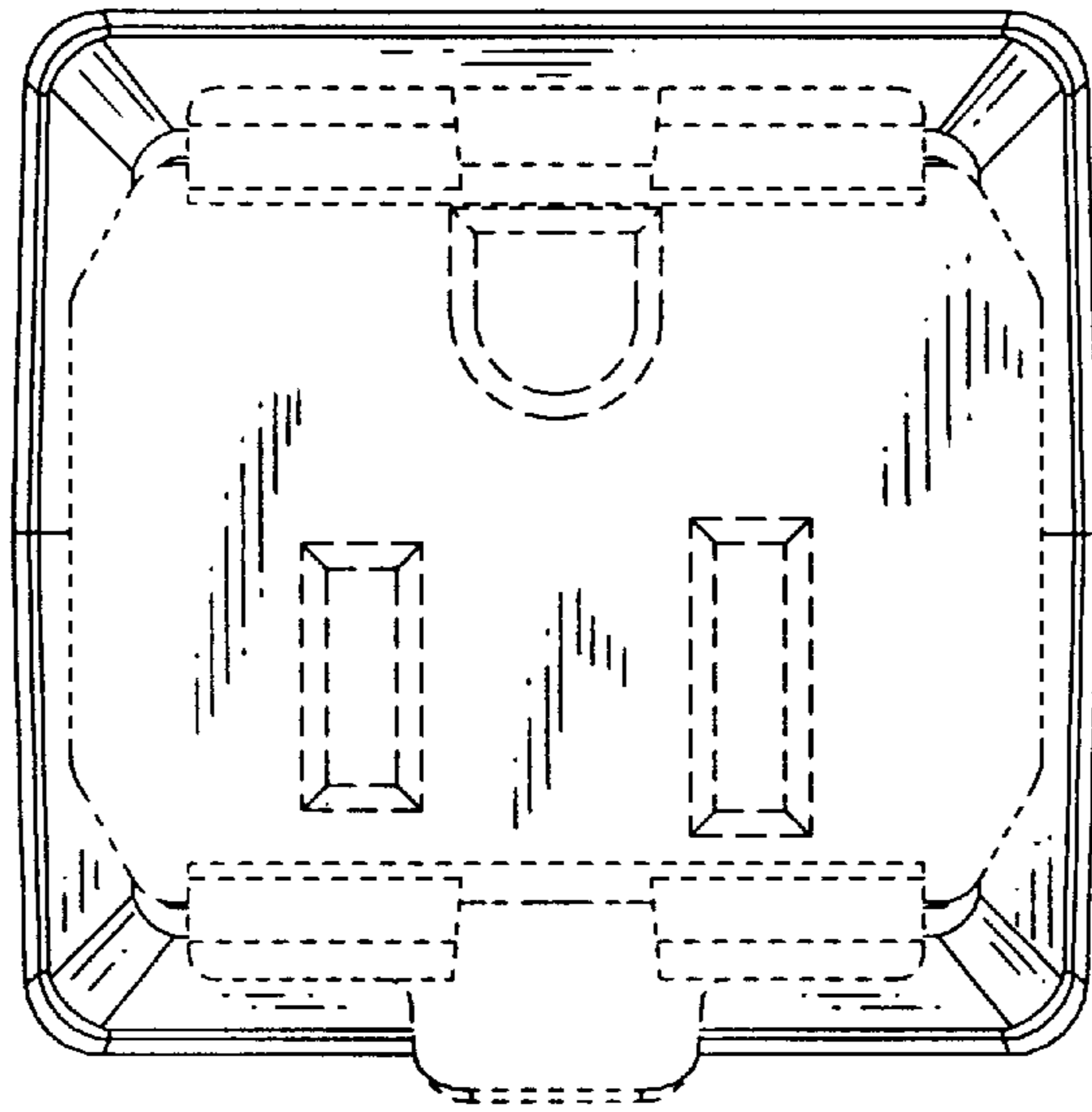


FIG. 5

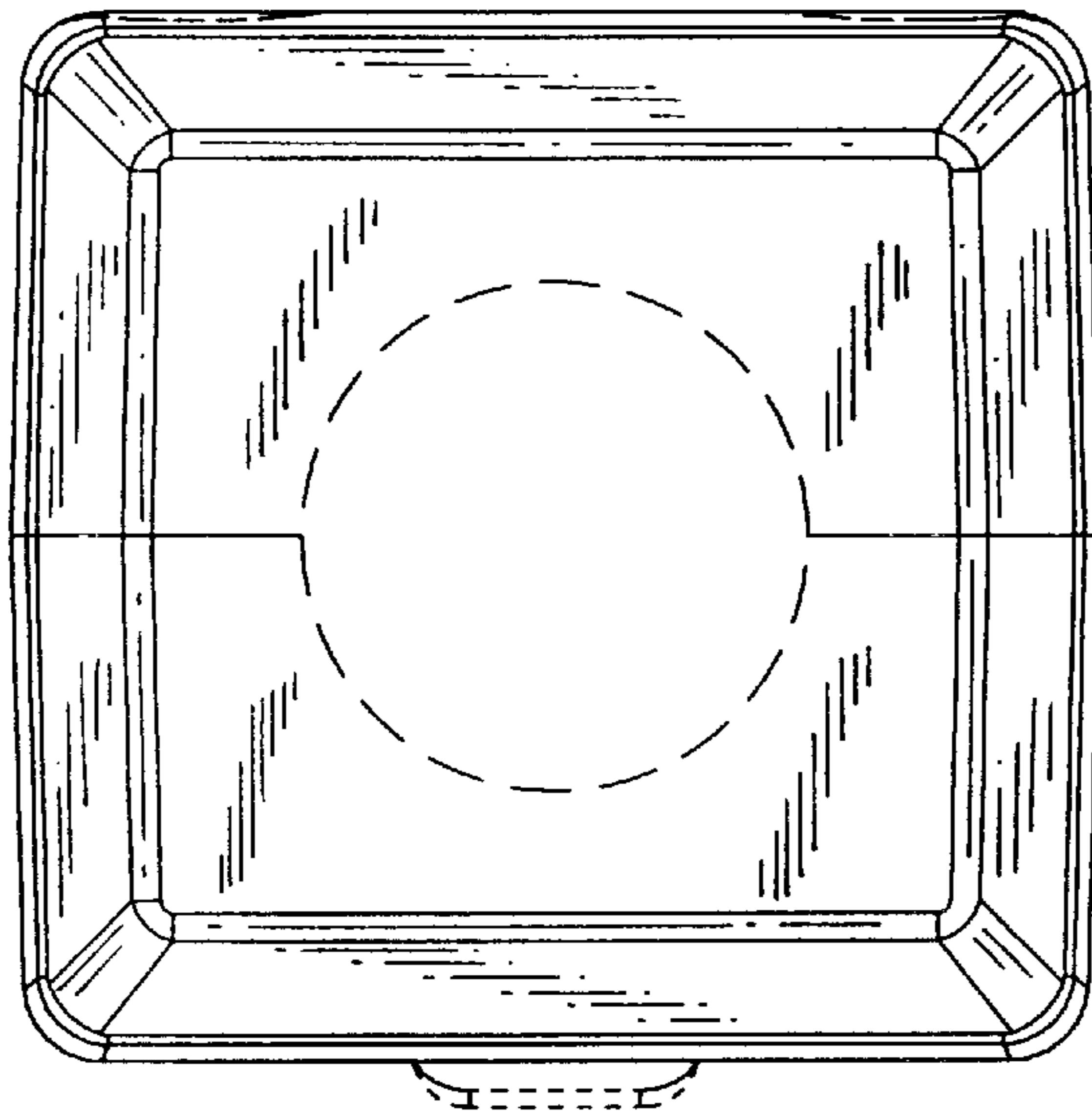
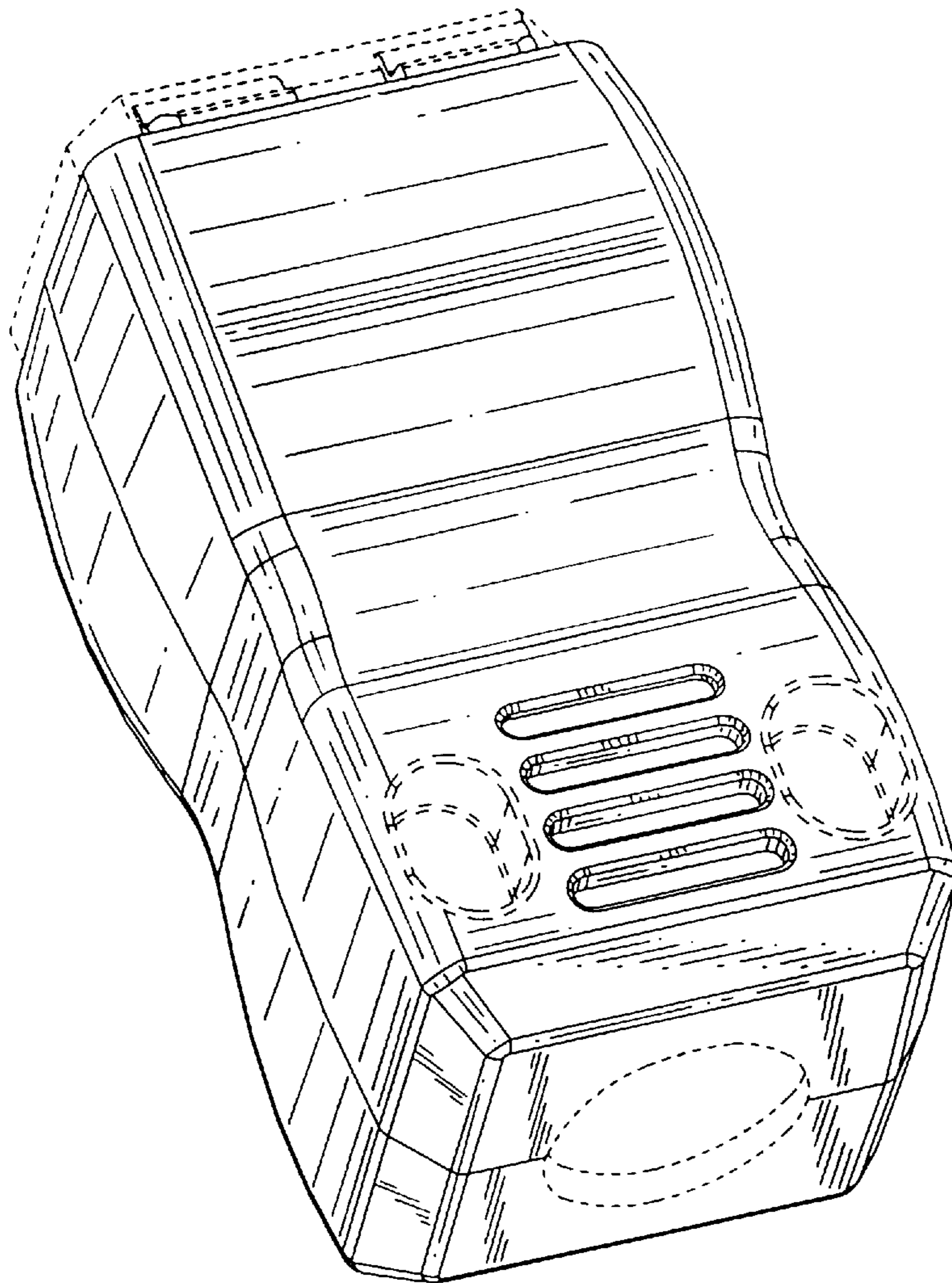


FIG. 6

FIG. 7



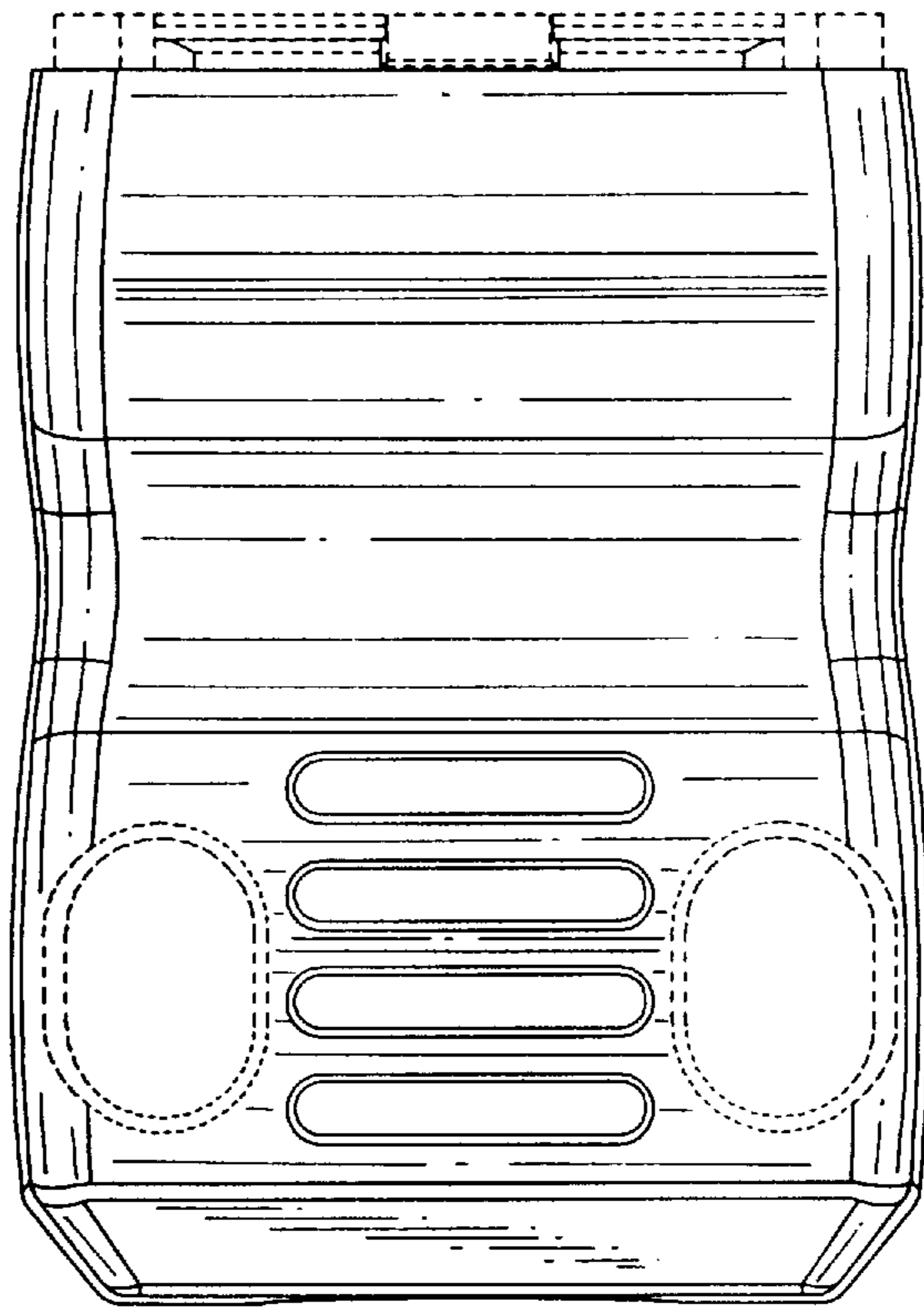


FIG. 8

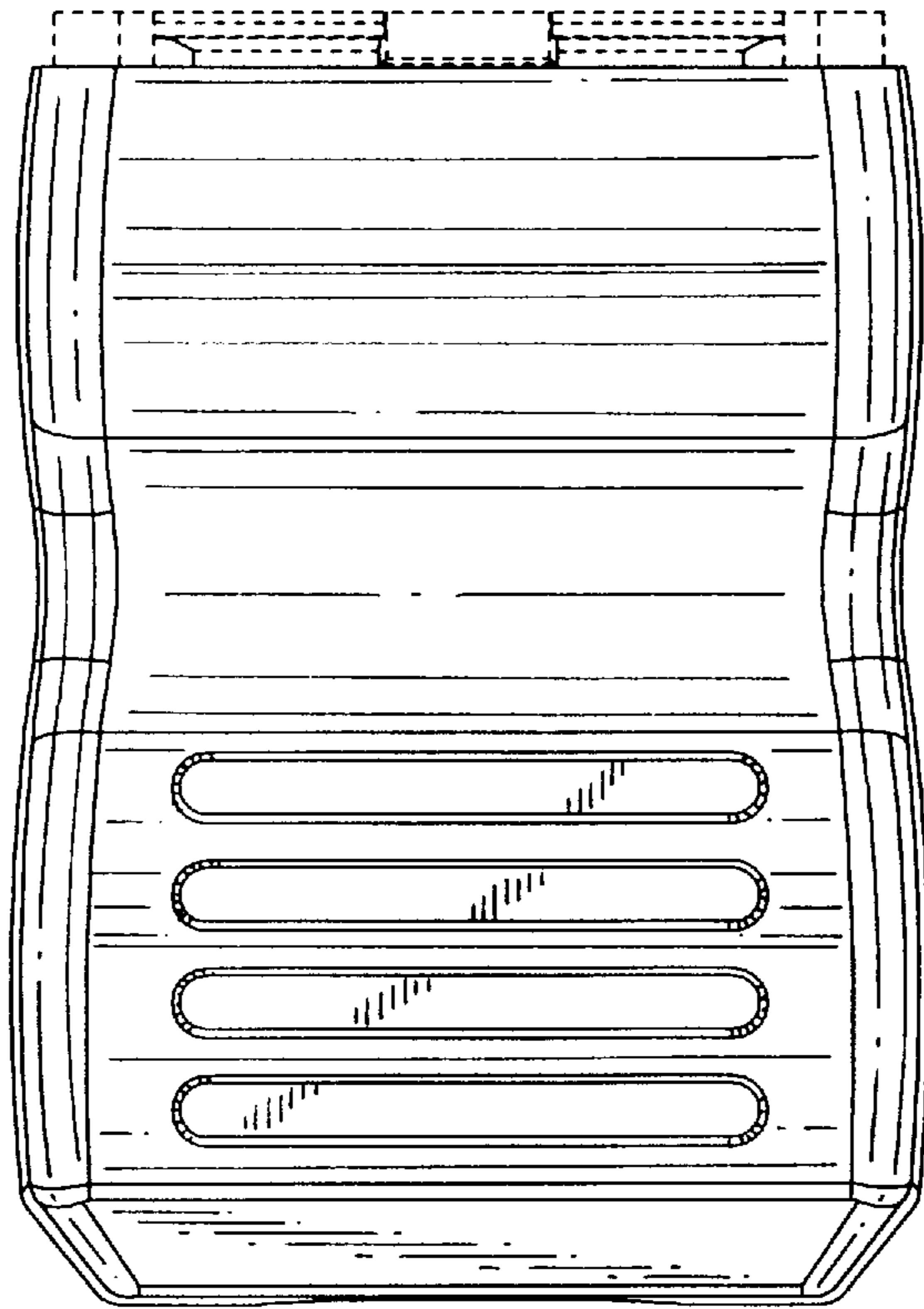


FIG. 9

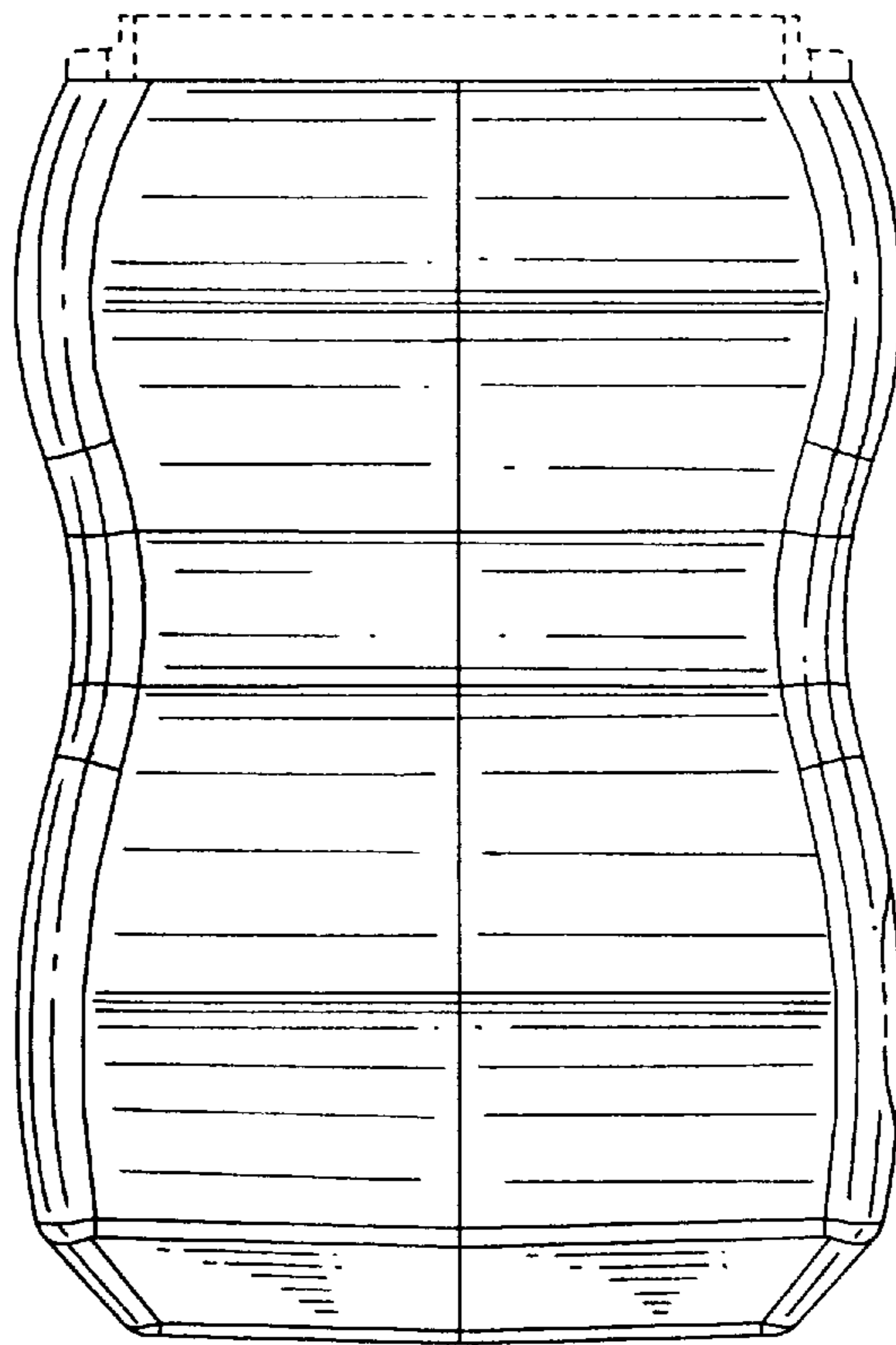


FIG. 10

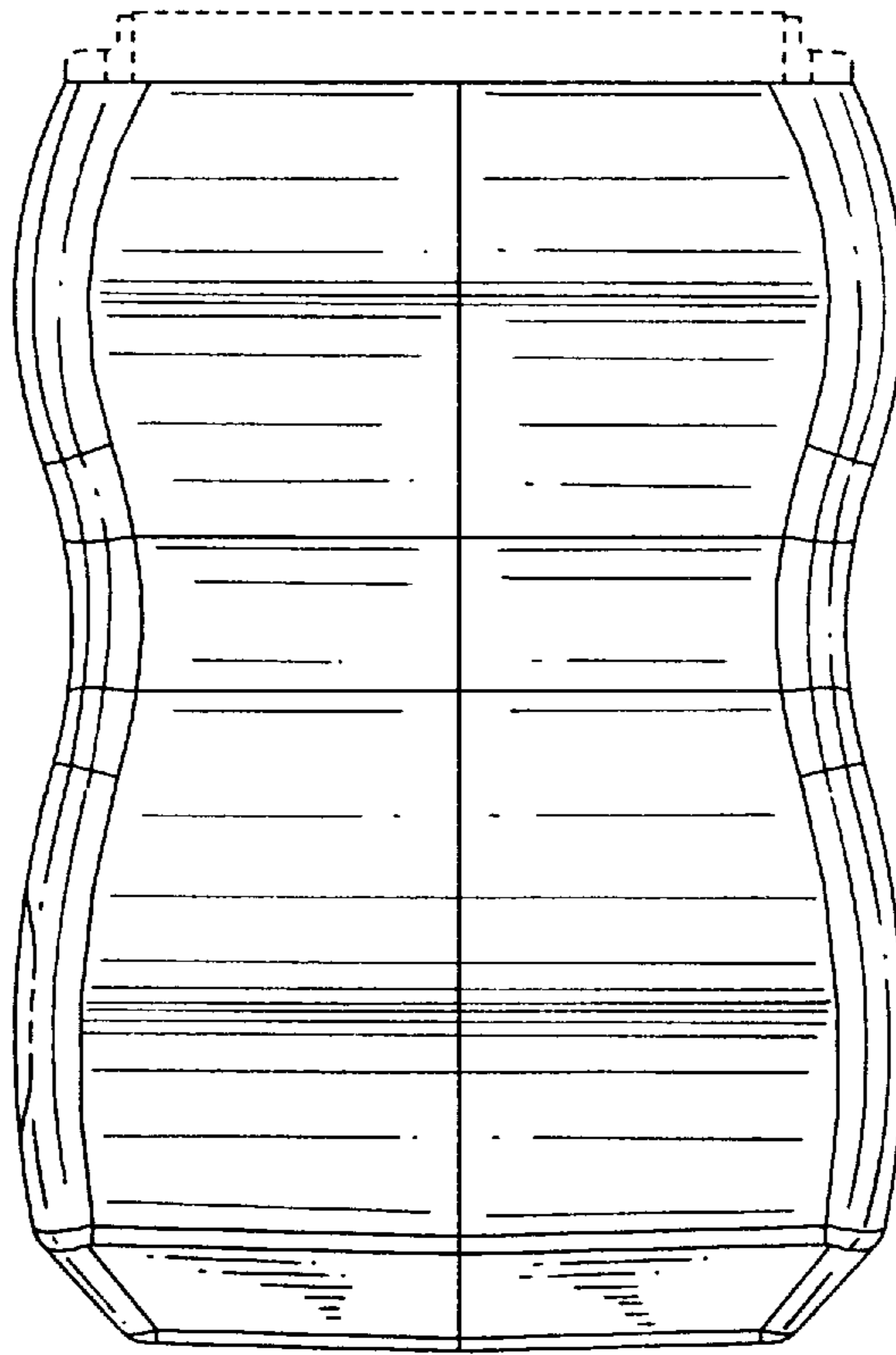


FIG. II

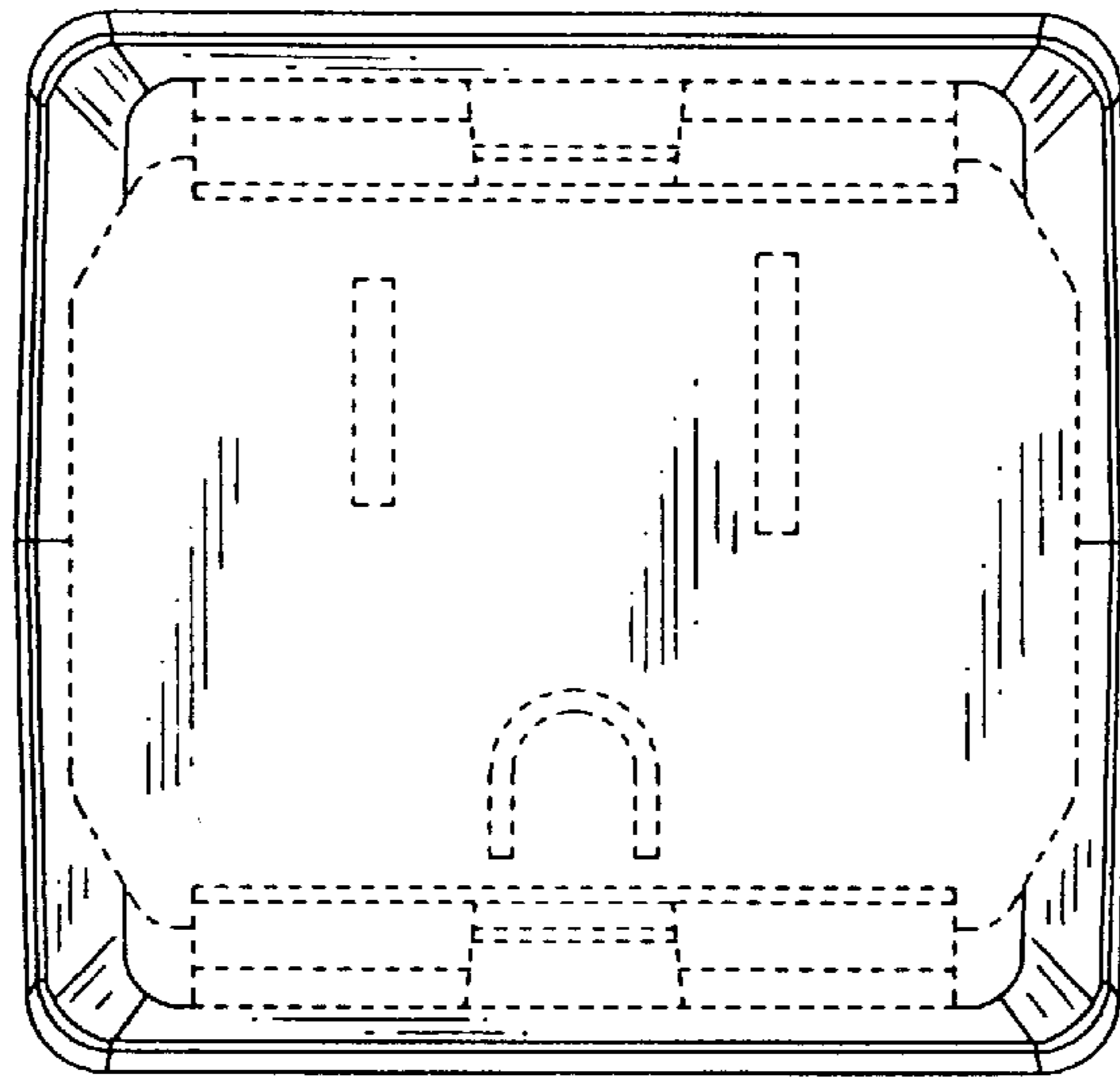


FIG. 12

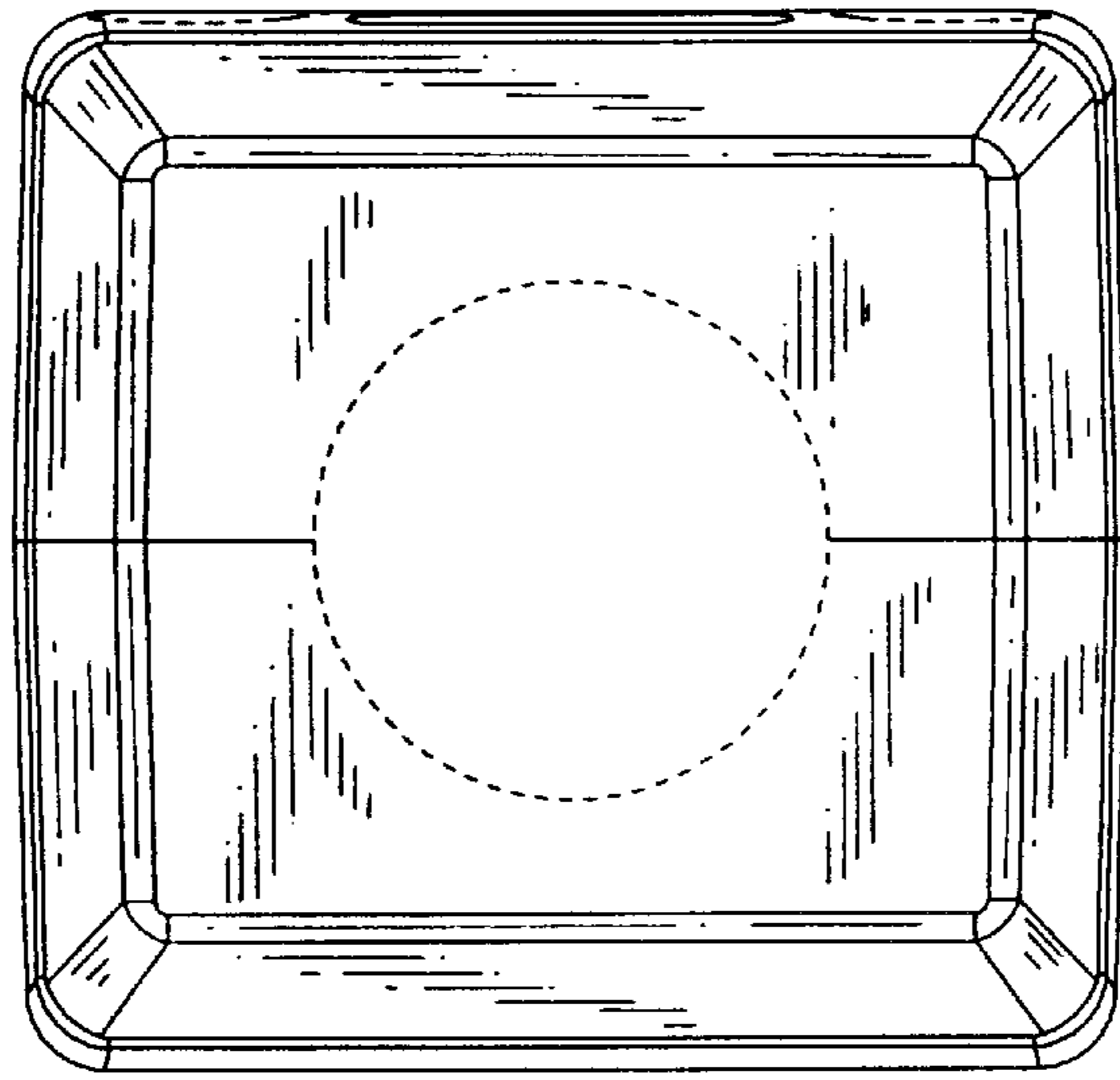


FIG. 13

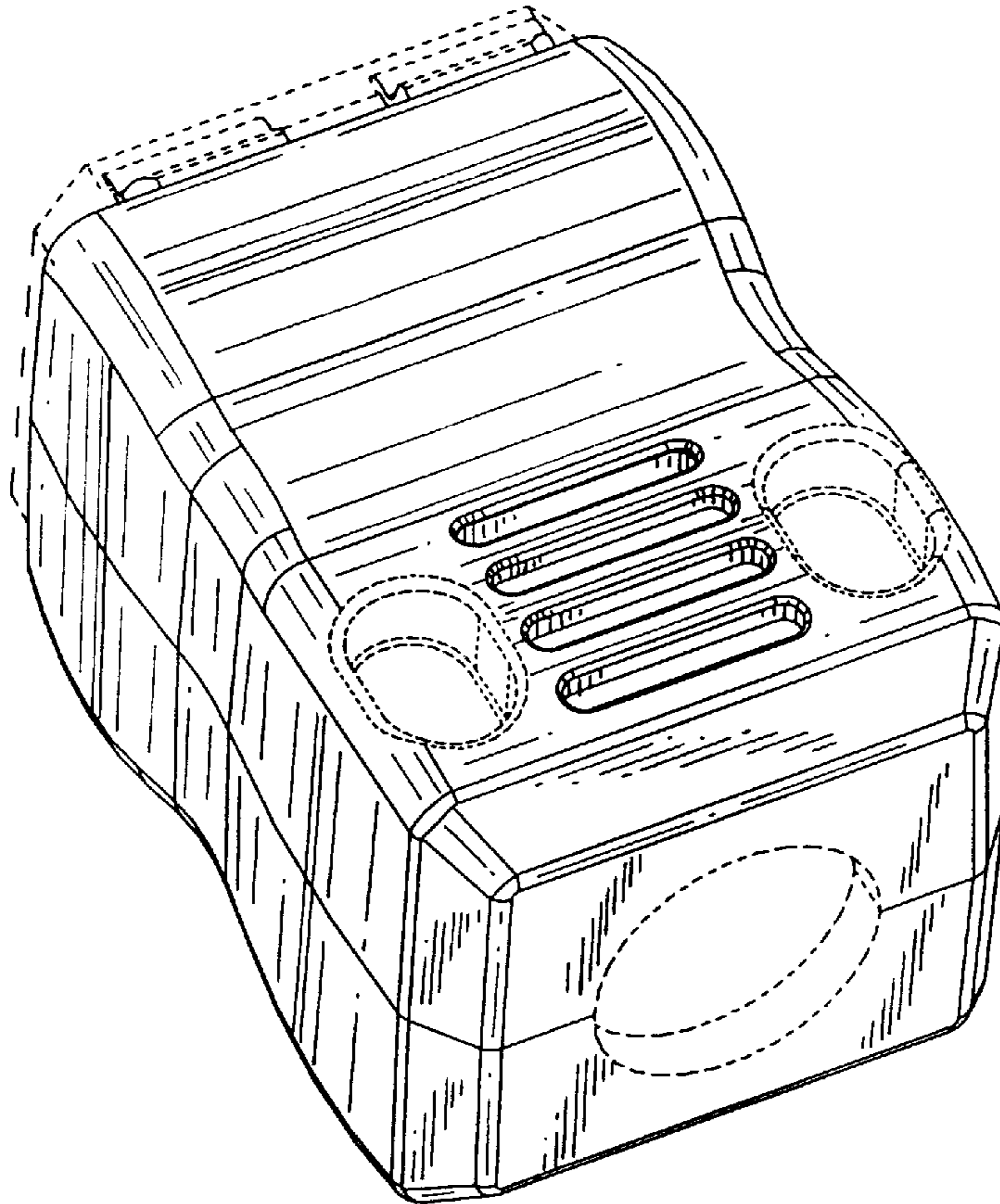


FIG. 14