



US00D401903S

# United States Patent [19]

Dwight et al.

[11] **Patent Number: Des. 401,903**

[45] **Date of Patent: \*\*Dec. 1, 1998**

[54] **ELECTRICAL OUTLET PLUG**

1,984,181 12/1934 French ..... 439/694  
2,027,447 1/1936 Percy ..... 439/446

[75] Inventors: **Mark M. Dwight**, Palo Alto; **Robert M. Bruce**, San Francisco, both of Calif.; **Curt G. Bingham**, Salt Lake City, Utah

*Primary Examiner*—Susan J. Lucas  
*Assistant Examiner*—Jennifer Rivard  
*Attorney, Agent, or Firm*—Townsend and Townsend and Crew LLP

[73] Assignee: **ACCO Brands, Inc.**, Lincolnshire, Ill.

[\*\*] Term: **14 Years**

[57] **CLAIM**

The ornamental design for an electrical outlet plug, as shown and described.

[21] Appl. No.: **56,461**

[22] Filed: **Jul. 1, 1996**

**DESCRIPTION**

[51] **LOC (6) Cl.** ..... **13-03**

[52] **U.S. Cl.** ..... **D13/138.2**

[58] **Field of Search** ..... D13/138.1–138.2,  
D13/137.1–137.4, 139.1–139.8; 439/140,  
141, 152, 160, 484, 477, 692–695, 135–137,  
736, 446, 164; 337/197–198

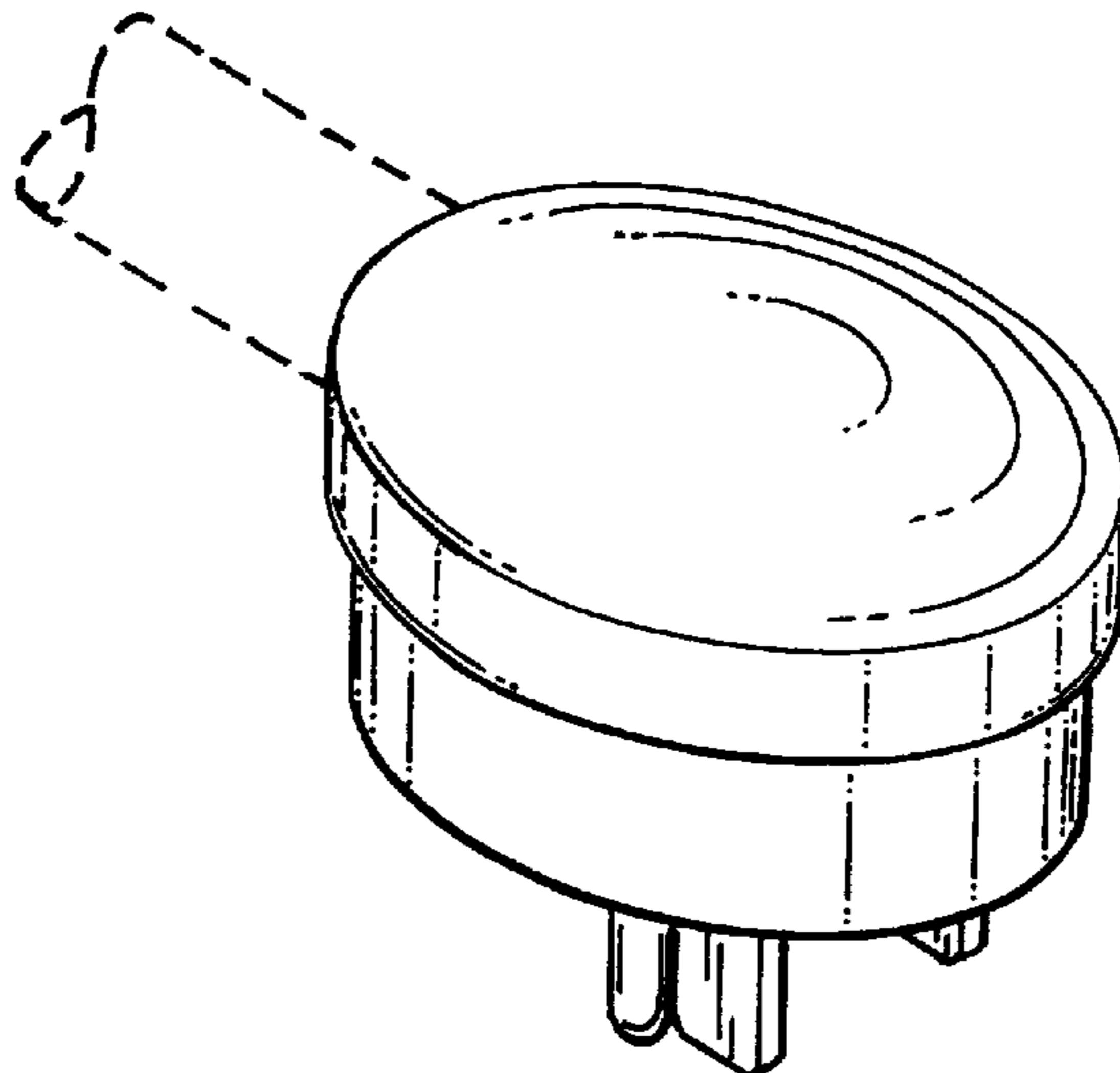
FIG. 1 is a perspective view of an electrical outlet plug showing our new design;  
FIG. 2 is a top plan view thereof;  
FIG. 3 is a left side elevational view, the right side elevational view being a mirror image;  
FIG. 4 is a front elevational view thereof;  
FIG. 5 is a rear elevational view thereof; and,  
FIG. 6 is a bottom plan view thereof.  
The broken lines are shown for illustrative purposes only and form no part of the claimed design.

[56] **References Cited**

**U.S. PATENT DOCUMENTS**

- D. 369,142 4/1996 Hedrick ..... D13/138.1
- D. 379,964 6/1997 Maddock et al. .... D13/138.1

**1 Claim, 1 Drawing Sheet**



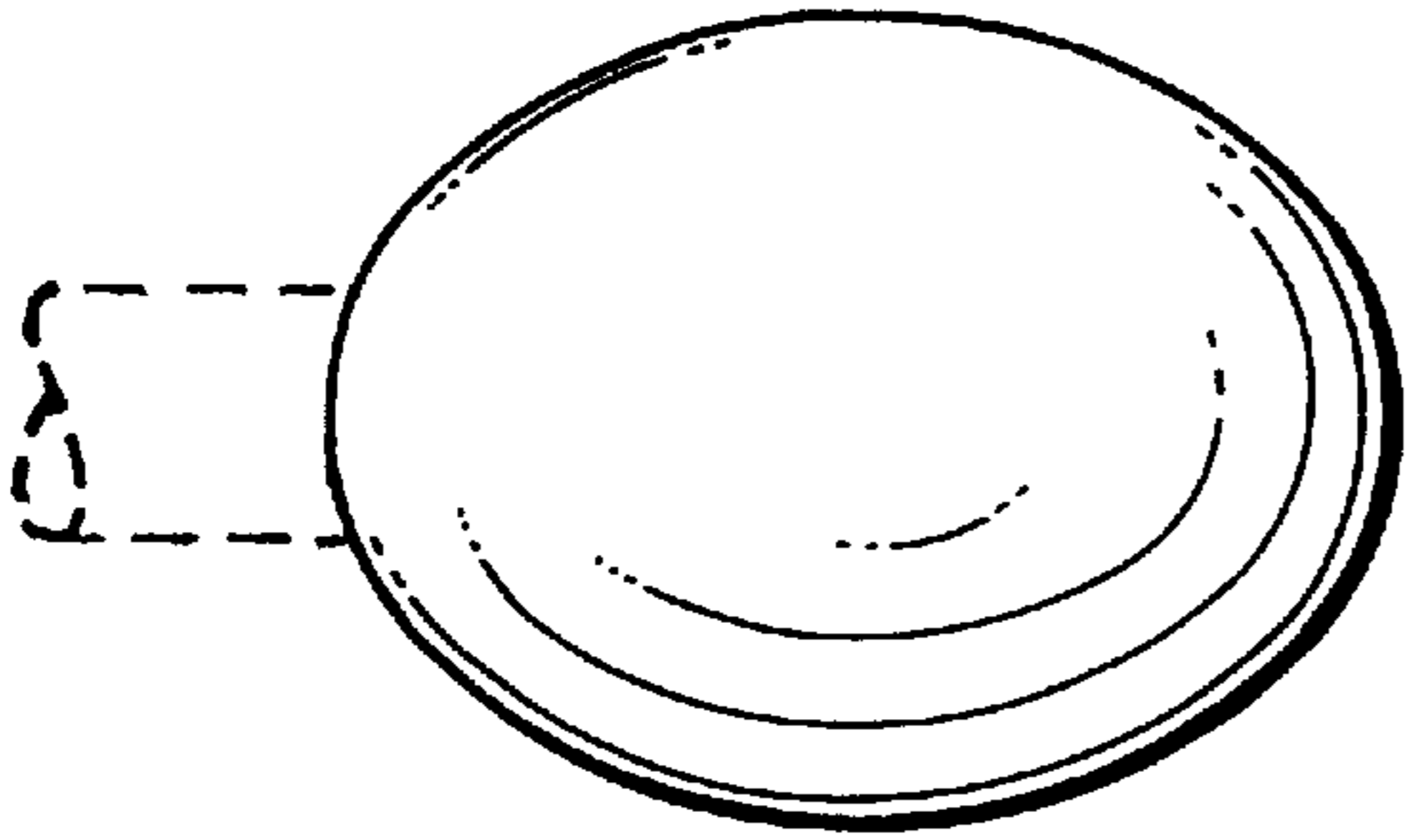


FIG. 2.

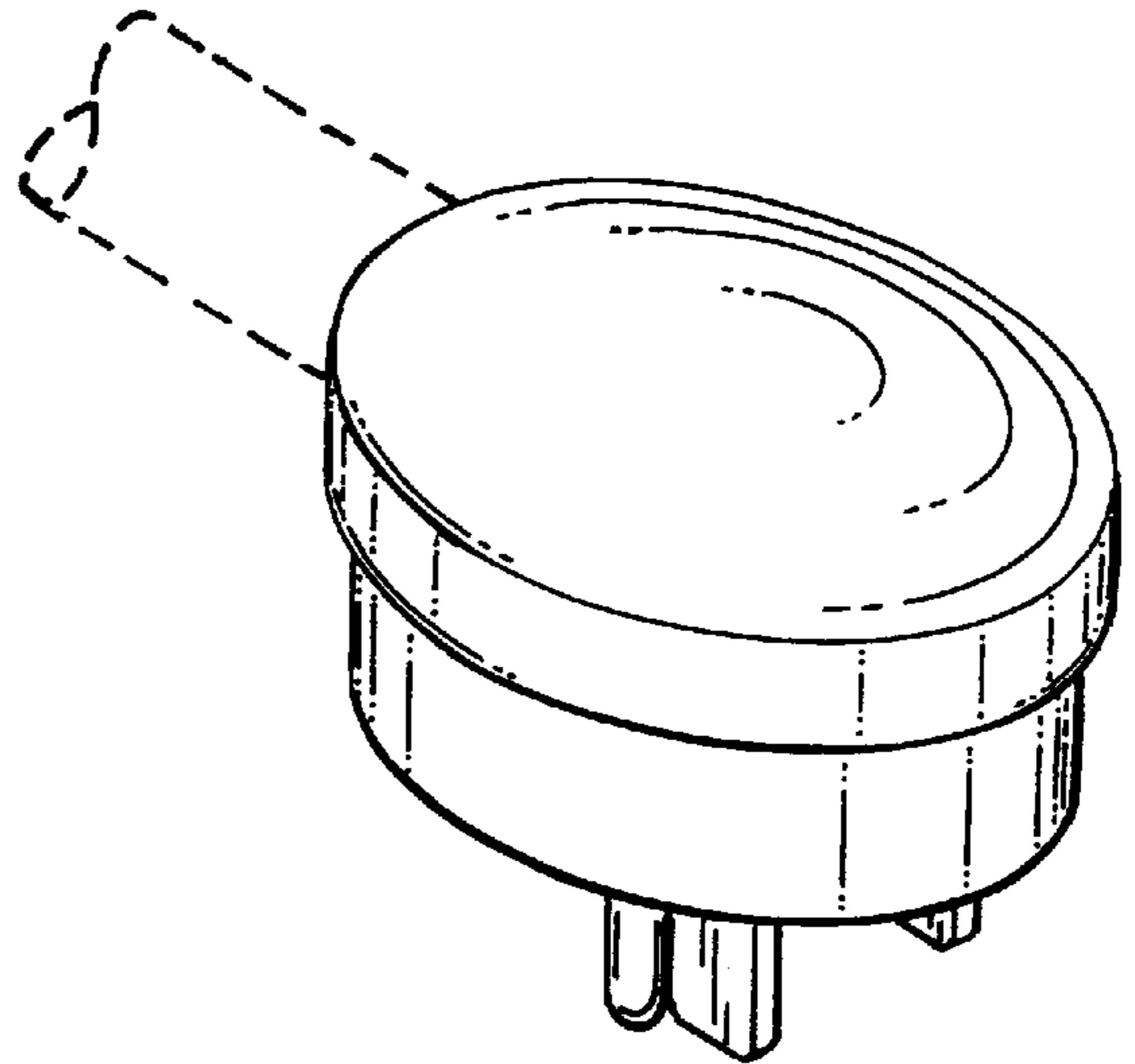


FIG. 1.

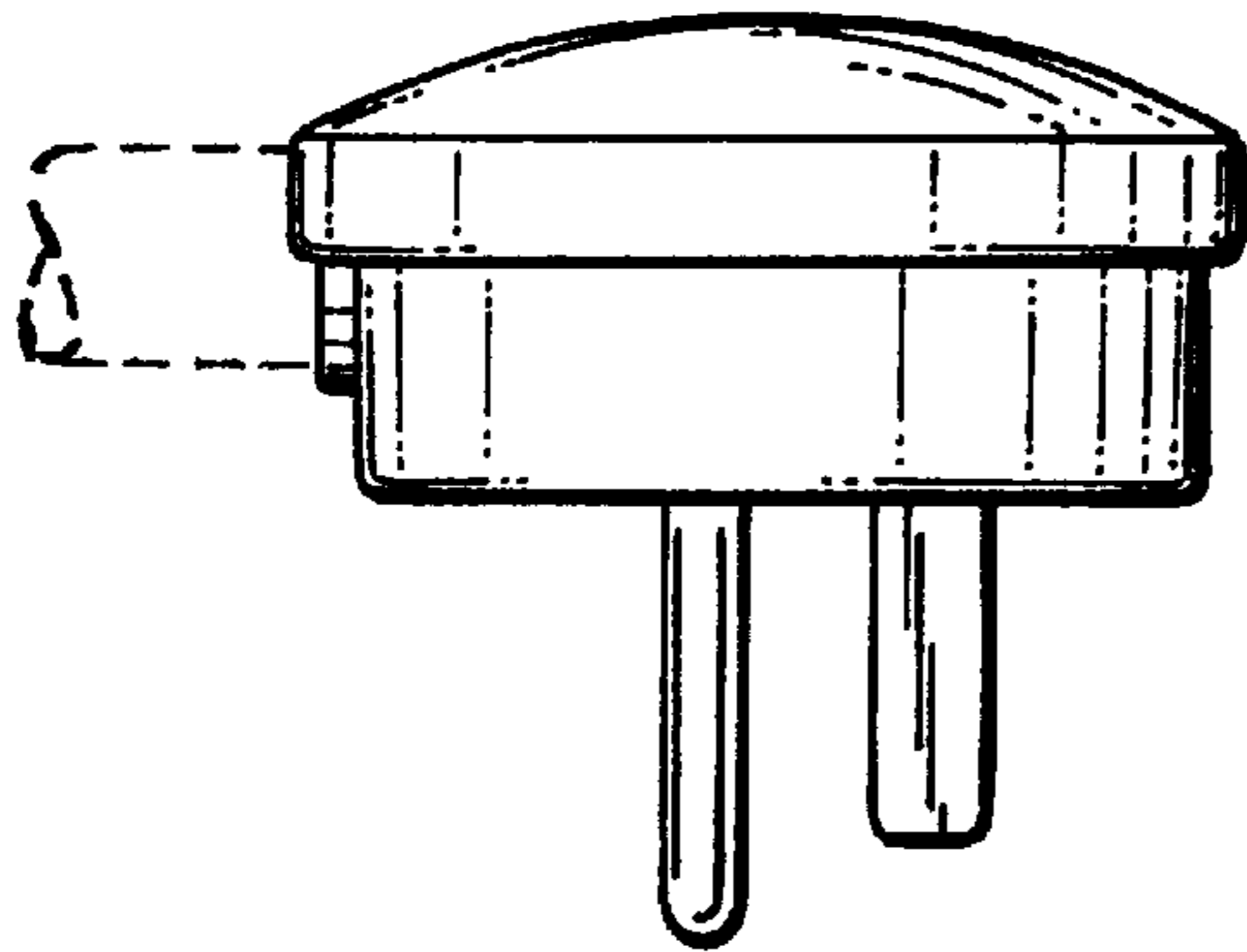


FIG. 3.

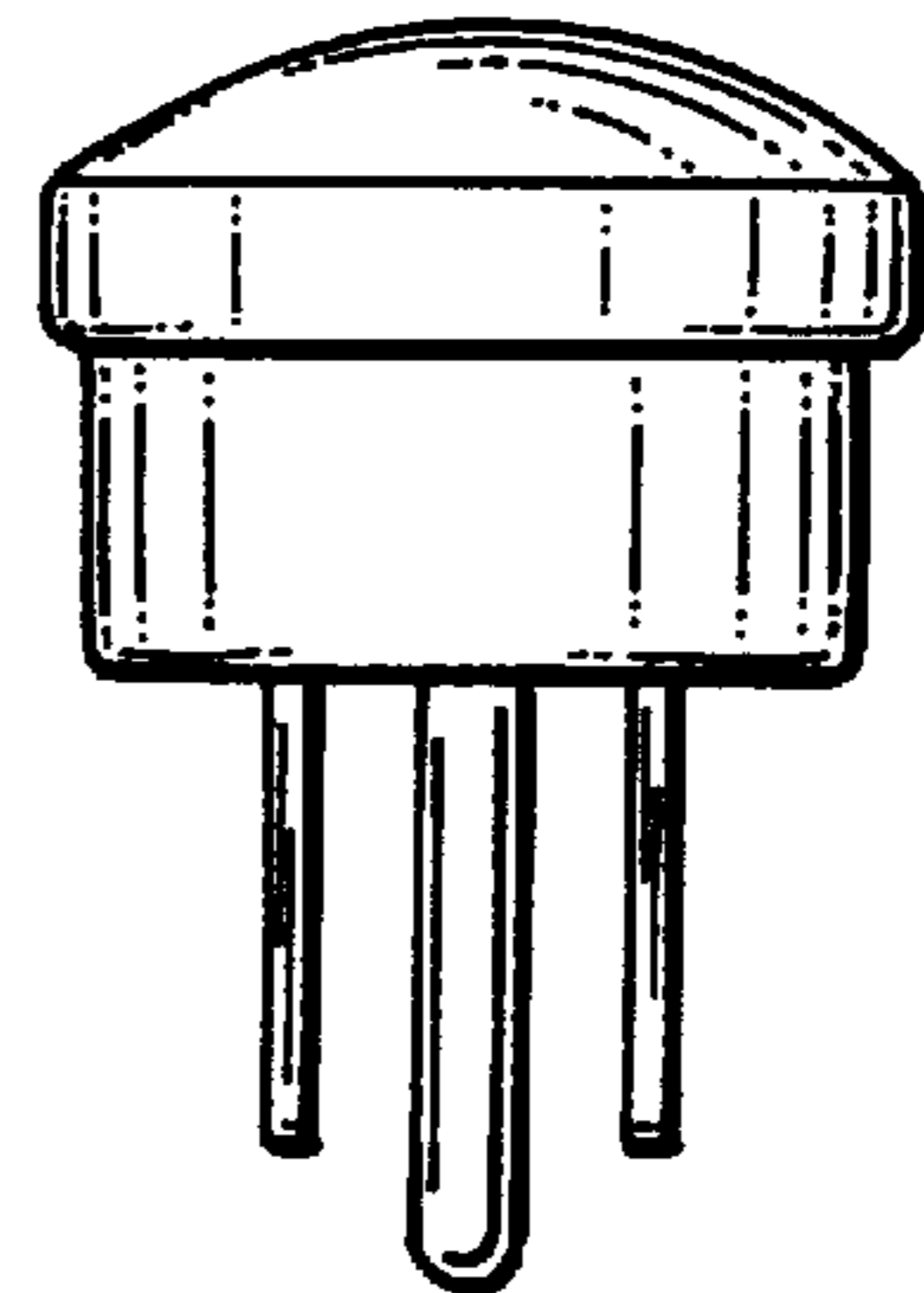


FIG. 4.

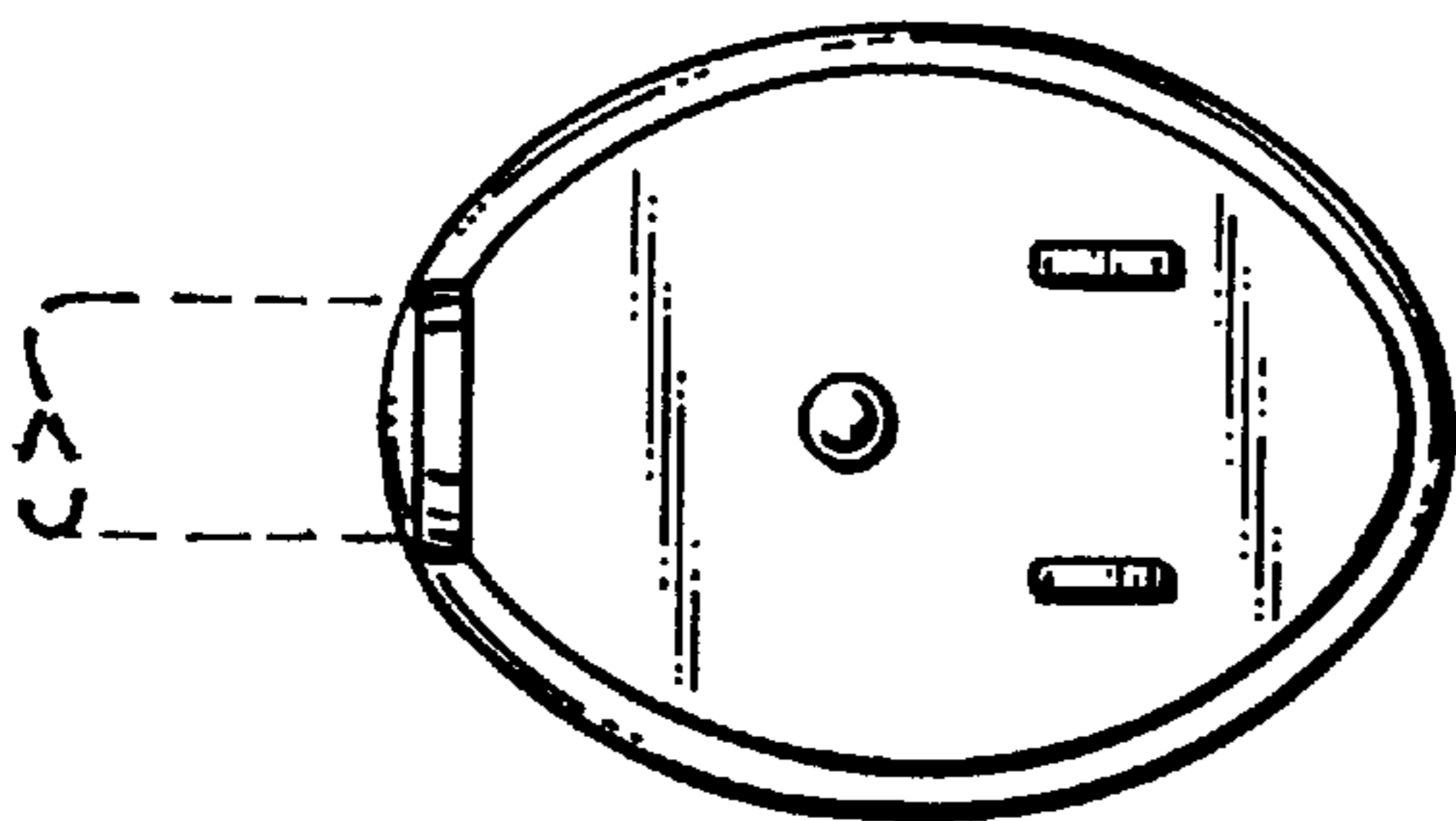


FIG. 6.

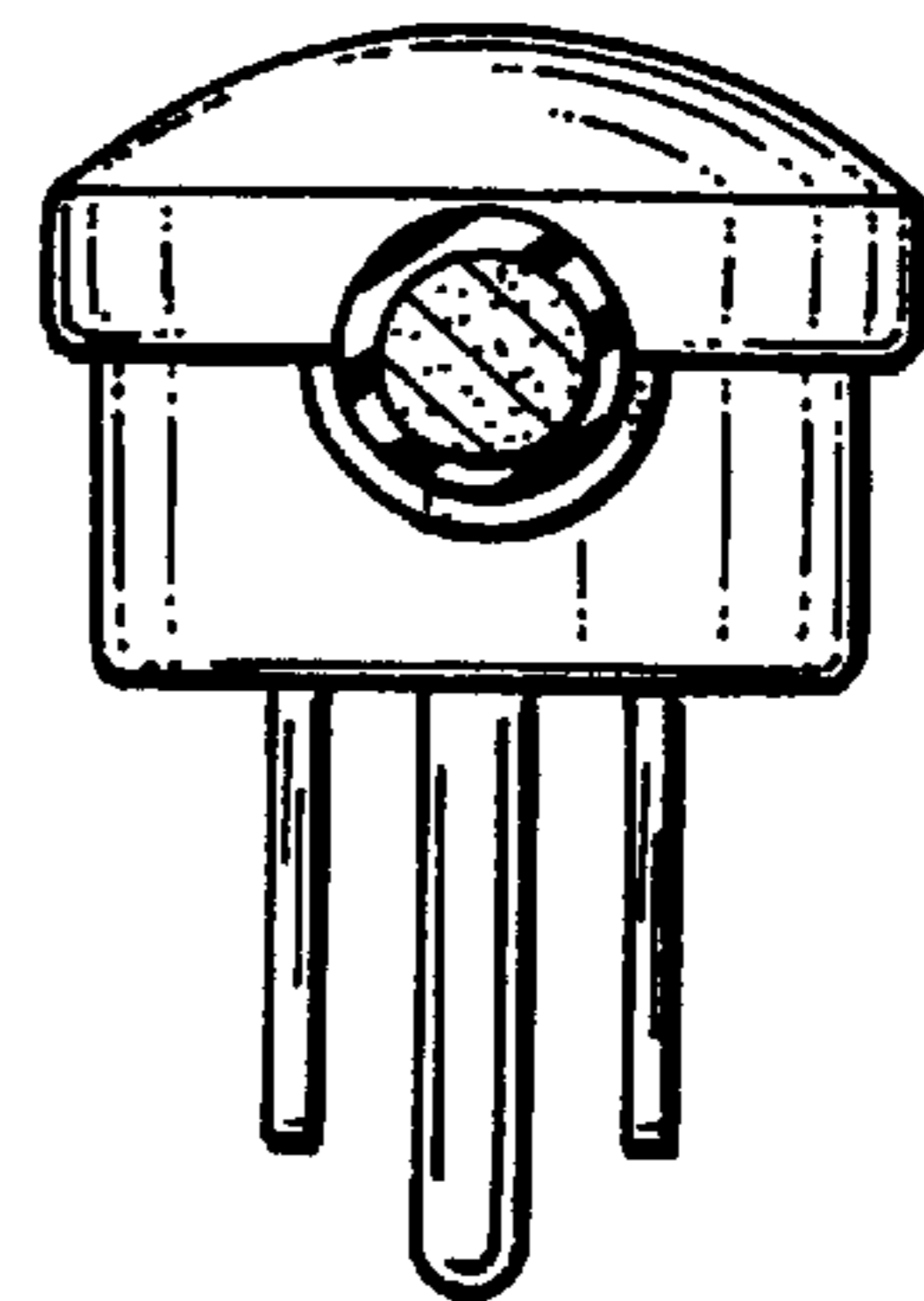


FIG. 5.