



US00D401902S

United States Patent [19]
Falls et al.

[11] **Patent Number: Des. 401,902**
[45] **Date of Patent: **Dec. 1, 1998**

[54] **MODULAR PLUG**

5,556,295 9/1996 McFadden et al. 439/353 X

[76] Inventors: **S. Douglas Falls**, 1609 Fairfax Ave., Oakbrook Ter., Ill. 60181; **Ernest J. Dale**, 16115 Hamilton Stn. Rd., Waterford, Va. 20197; **Richard Buehler**, 468 Ruth Rd., Arnold, Md. 21012; **Norman Wildberger**, 10018 Worrell Ave., Glenn Dale, Md. 20769

OTHER PUBLICATIONS

AT&T Premises Distribution Products, 451A Adapter, p. 11, ©1987.

Primary Examiner—Alan P. Douglas
Assistant Examiner—Lavone D. Tabor
Attorney, Agent, or Firm—Laff, Whitesel, Conte & Saret, Ltd.

[**] Term: **14 Years**

[57] **CLAIM**

[21] Appl. No.: **57,797**

The ornamental design for a modular plug, as shown and described.

[22] Filed: **Jul. 31, 1996**

[51] **LOC (6) Cl.** **13-03**

[52] **U.S. Cl.** **D13/133**

[58] **Field of Search** D13/133; 439/344, 439/350-354, 357, 358, 607, 701

DESCRIPTION

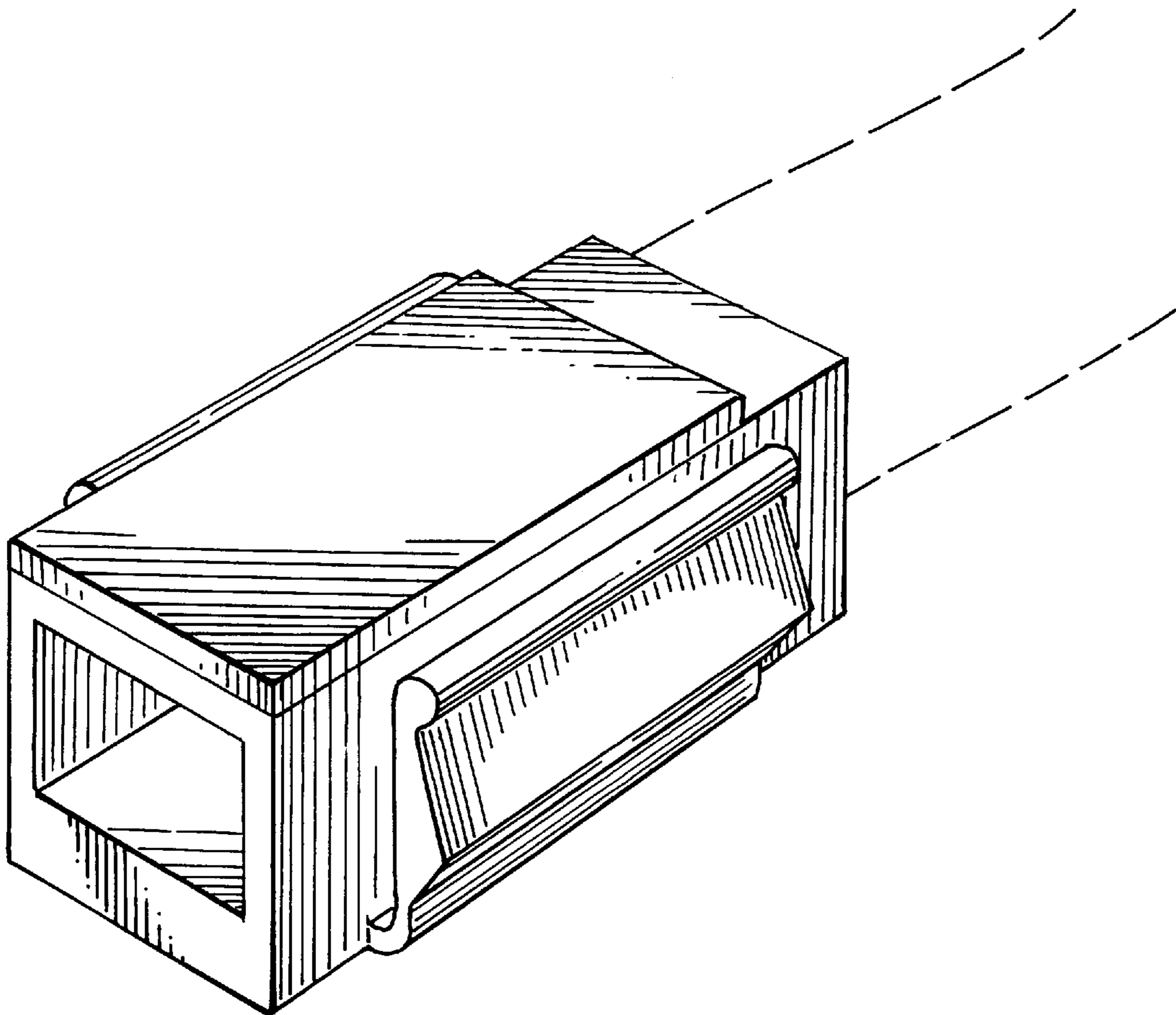
FIG. 1 is a front view;
FIG. 2 is a top view;
FIG. 3 is a bottom view;
FIG. 4 is a right side view;
FIG. 5 is left side view; and,
FIG. 6 is a top right front perspective view.
The rear of the plug is identical to the front.
The broken lines are for illustrative purposes only and form no part of the claimed design.

[56] **References Cited**

U.S. PATENT DOCUMENTS

4,516,825	5/1985	Brennan et al.	439/607
4,904,209	2/1990	Nelson	439/701
4,923,409	5/1990	Ishii	439/358
5,382,177	1/1995	Hutchinson, Jr. et al.	439/358

1 Claim, 2 Drawing Sheets



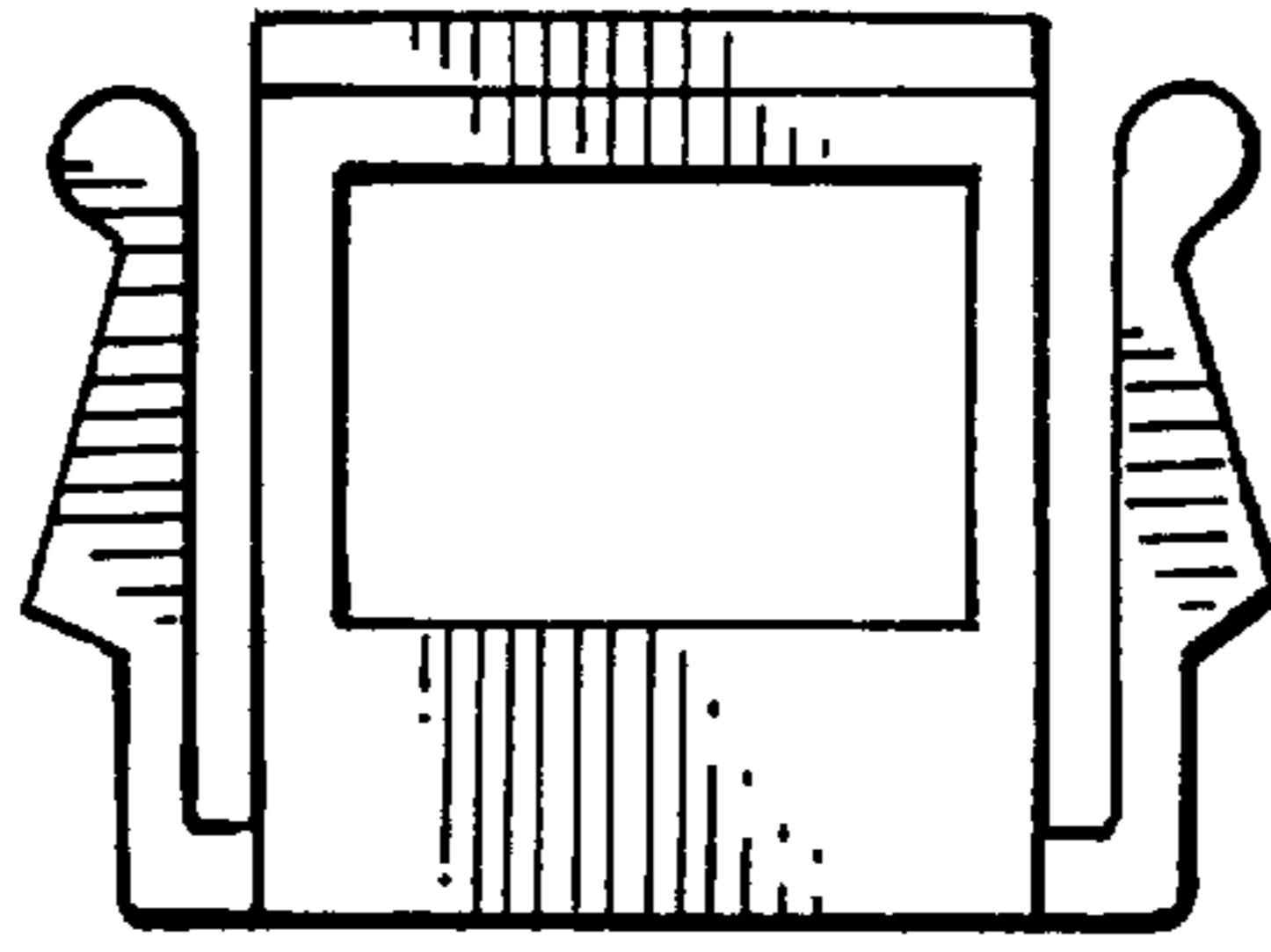


FIG. 1

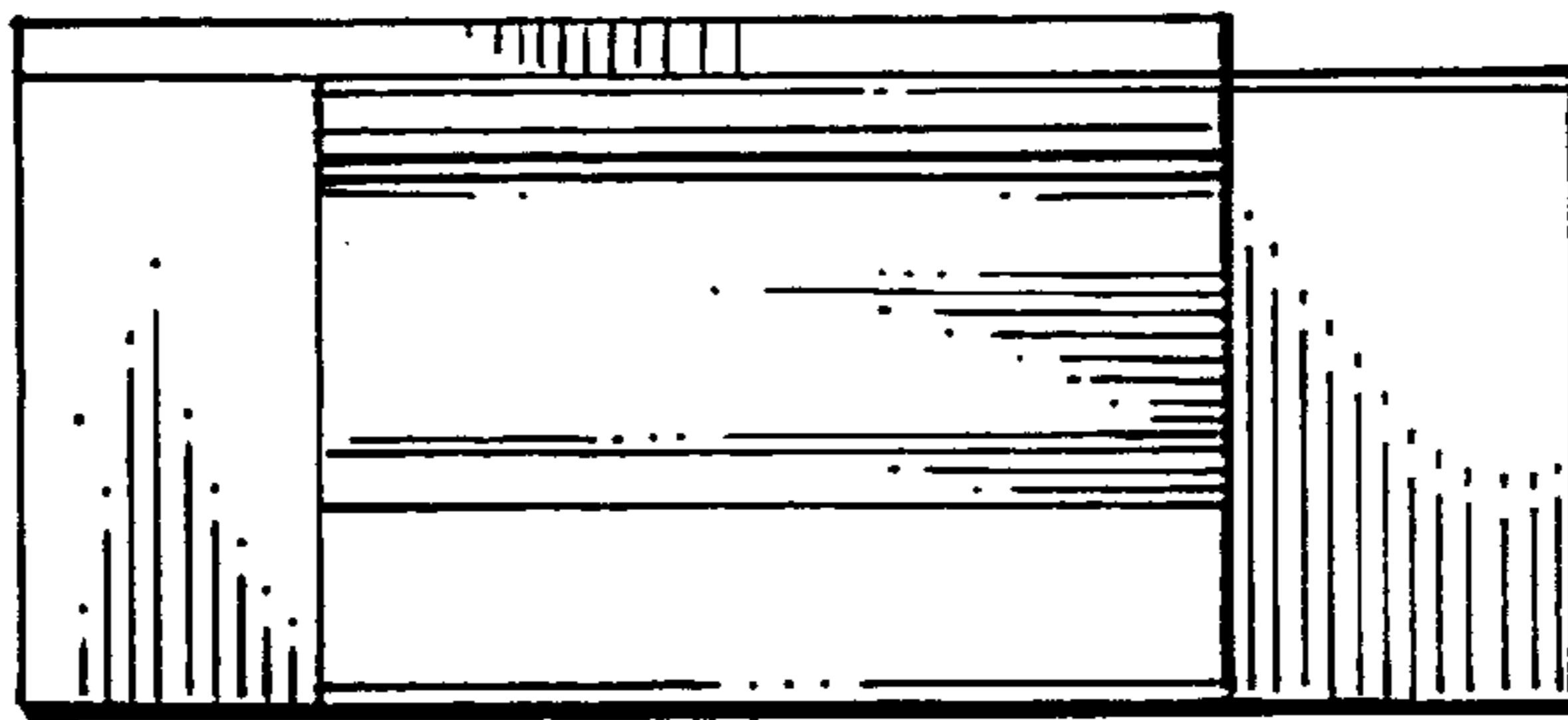


FIG. 4

FIG. 5

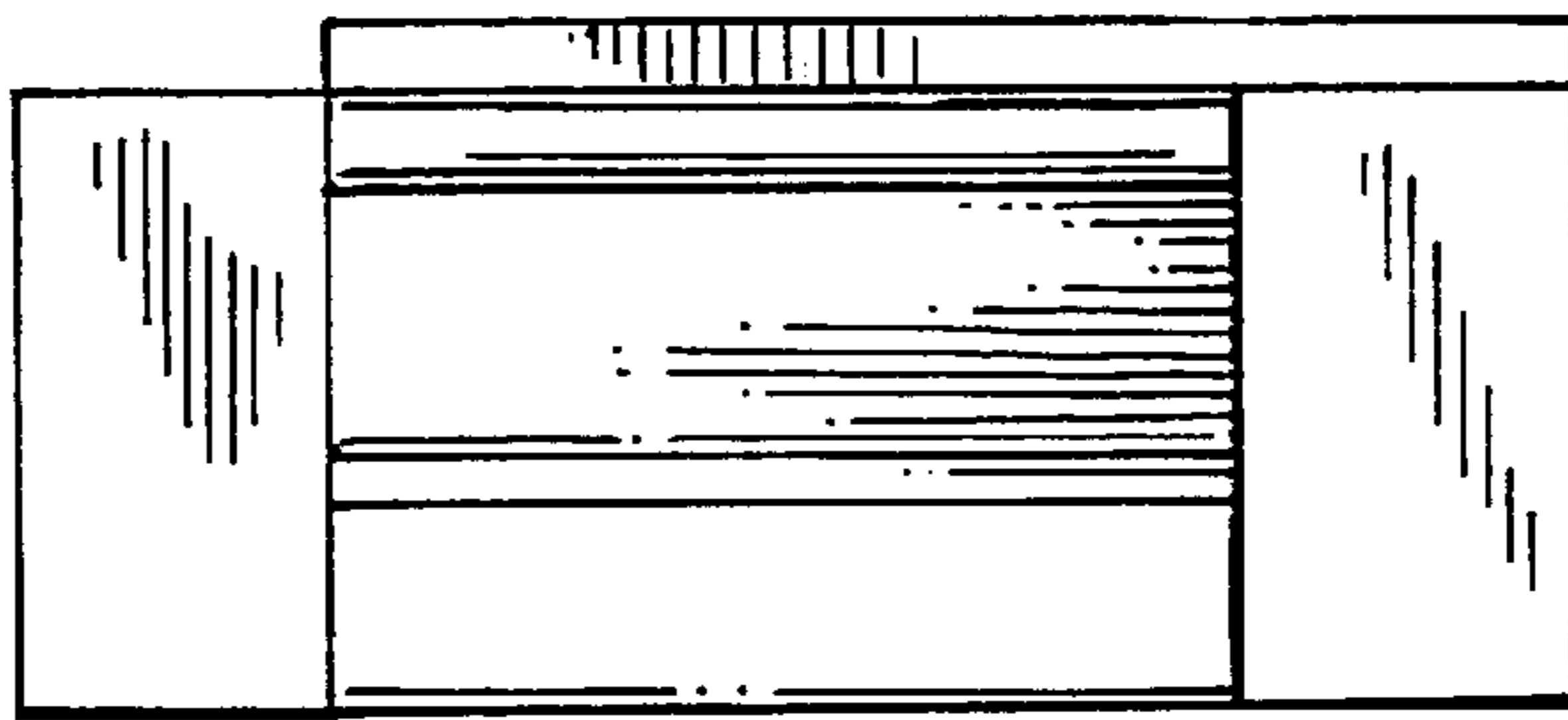


FIG. 2

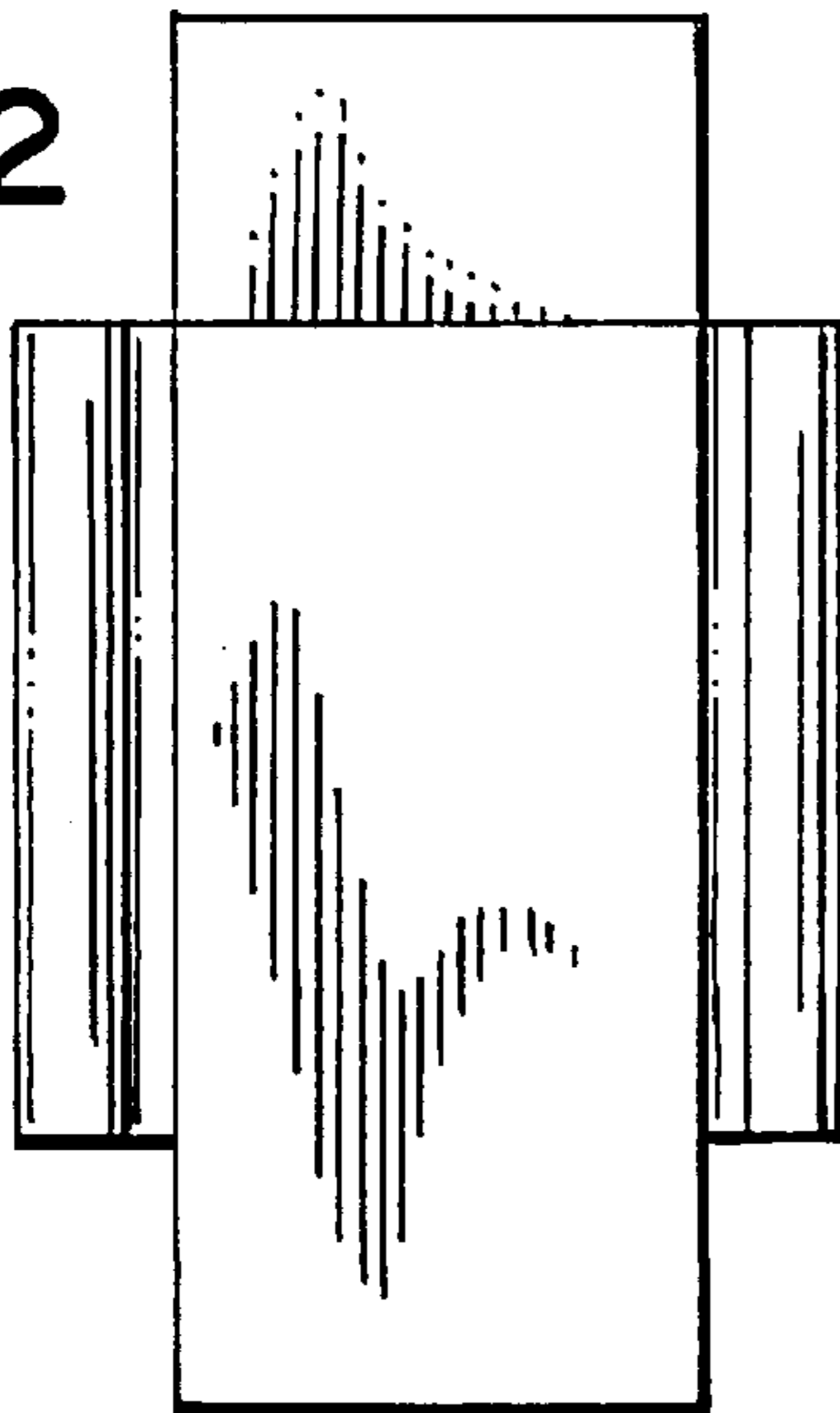
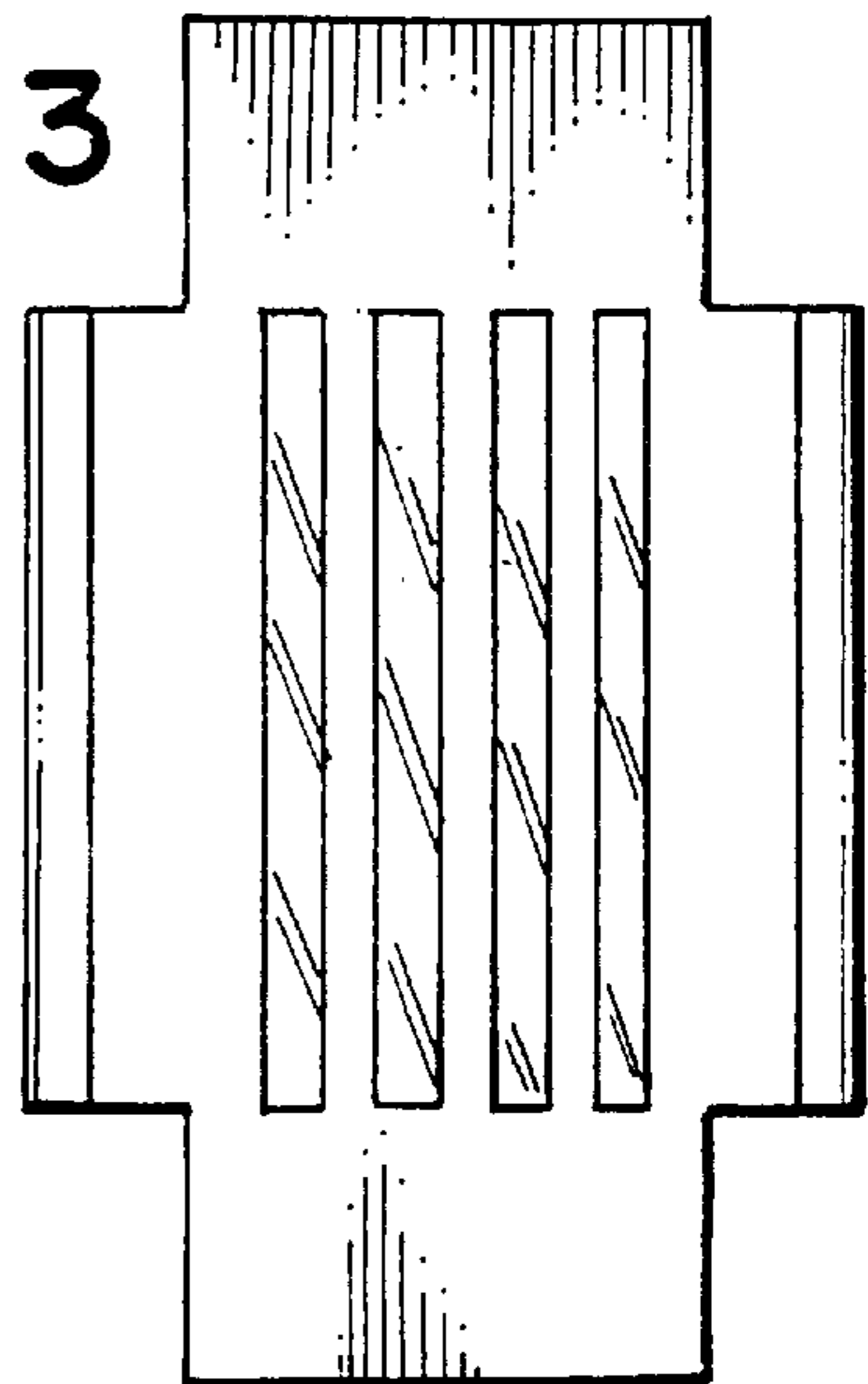


FIG. 3



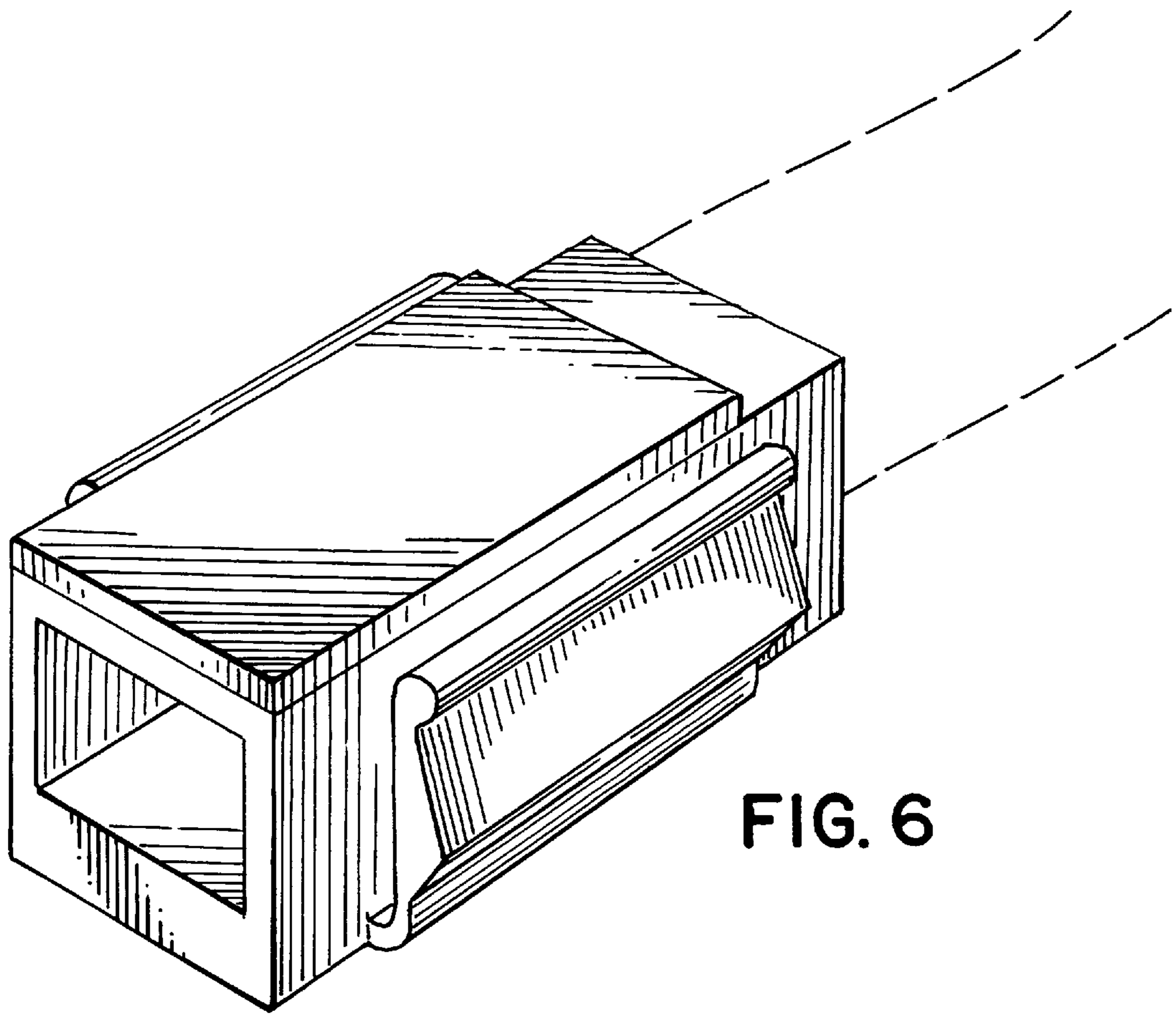


FIG. 6