



US00D401895S

United States Patent [19]

[11] **Patent Number: Des. 401,895**

Aull et al.

[45] **Date of Patent: ***Dec. 1, 1998**

[54] **TIRE TREAD**

[75] Inventors: **Joseph Louis Aull**, New Philadelphia;
Jeffrey Joe McElfresh, Ravenna; **Karl Eric Sundkvist**, Akron; **Piotr Janusz Wesolowski**, Cuyahoga Falls, all of Ohio; **Wolfgang Gnoerich**, Mersch, Luxembourg

D. 350,716	9/1994	Bell et al.	D12/147
D. 350,717	9/1994	Maxwell et al.	D12/147
D. 355,155	2/1995	Breny et al.	D12/147
D. 365,794	1/1996	Weber et al.	D12/147
D. 368,690	4/1996	Heinen et al.	D12/147
D. 379,335	5/1997	Aikawa et al.	D12/147
D. 379,443	5/1997	Arendt et al.	D12/147
D. 379,446	5/1997	Hutson et al.	D12/147
5,002,109	3/1991	Shepler	152/209 A

[73] Assignee: **The Goodyear Tire & Rubber Company**, Akron, Ohio

Primary Examiner—Robert M. Spear
Attorney, Agent, or Firm—T P Lewandowski

[*] Notice: The term of this patent shall not extend beyond the expiration date of Pat. No. D. 365,794.

[57] **CLAIM**

The ornamental design for a tire tread, as shown and described.

[**] Term: **14 Years**

DESCRIPTION

[21] Appl. No.: **63,989**

FIG. 1 is a perspective view of a tire tread, it being understood that the pattern repeats uniformly throughout the circumference of the tread;
FIG. 2 is a front elevational view thereof;
FIG. 3 is a right side elevational view thereof;
FIG. 4 is a left side elevational view thereof; and,
FIG. 5 is an enlarged fragmentary front perspective view thereof.

[22] Filed: **Dec. 20, 1996**

[51] **LOC (6) Cl.** **12-15**

[52] **U.S. Cl.** **D12/147**

[58] **Field of Search** D12/136, 138,
D12/140-151; 152/209 A, 209 B, 209 D

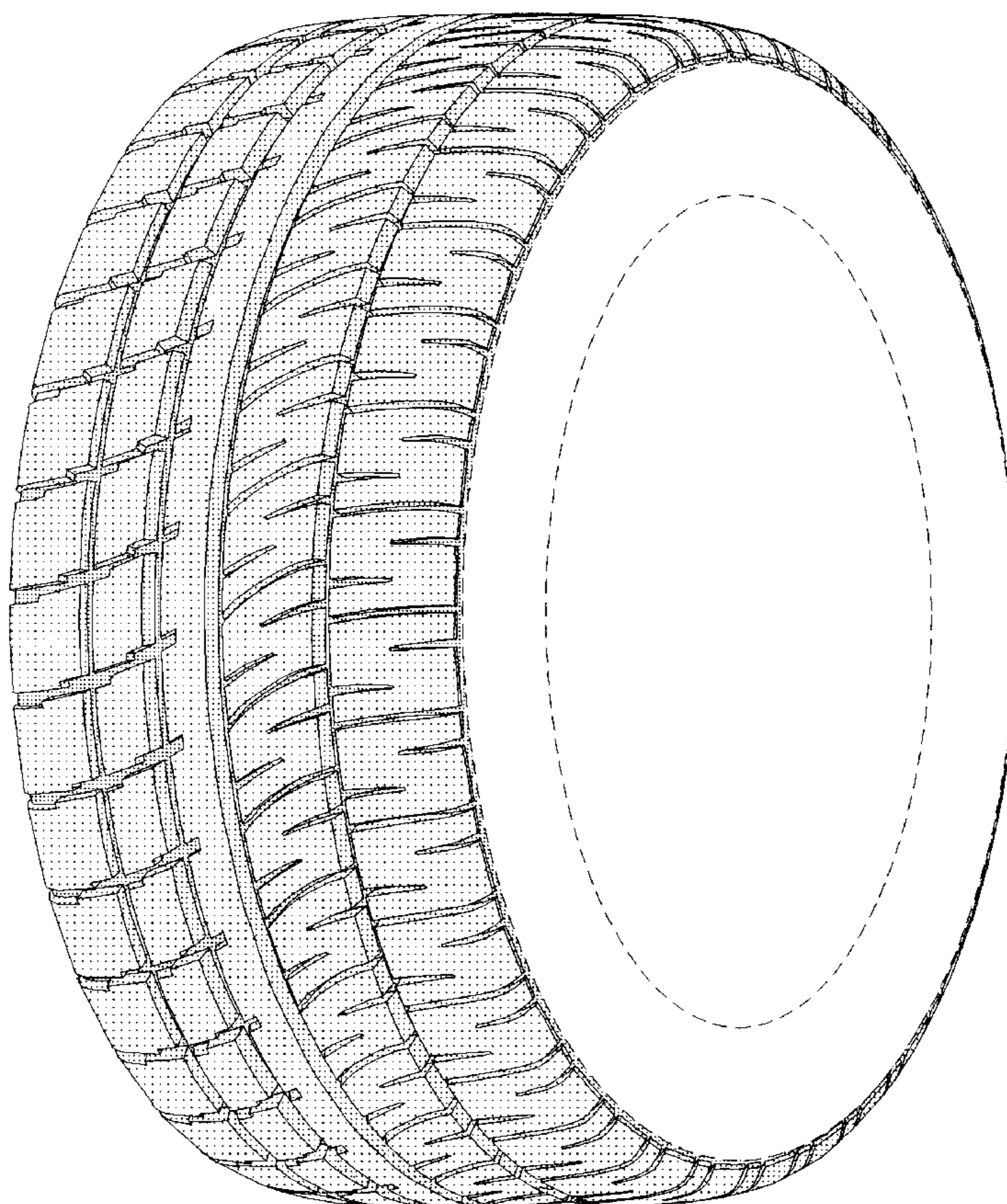
In the drawings, the broken lines defining the inner bead of the sidewall and the peripheral boundary between the tire tread and the sidewall are for illustrative purposes only and form no part of the claimed design.

[56] **References Cited**

U.S. PATENT DOCUMENTS

D. 312,231	11/1990	Guspodin	D12/147
D. 329,033	9/1992	Maxwell	D12/147
D. 340,894	11/1993	Kobayashi	D12/147

1 Claim, 5 Drawing Sheets



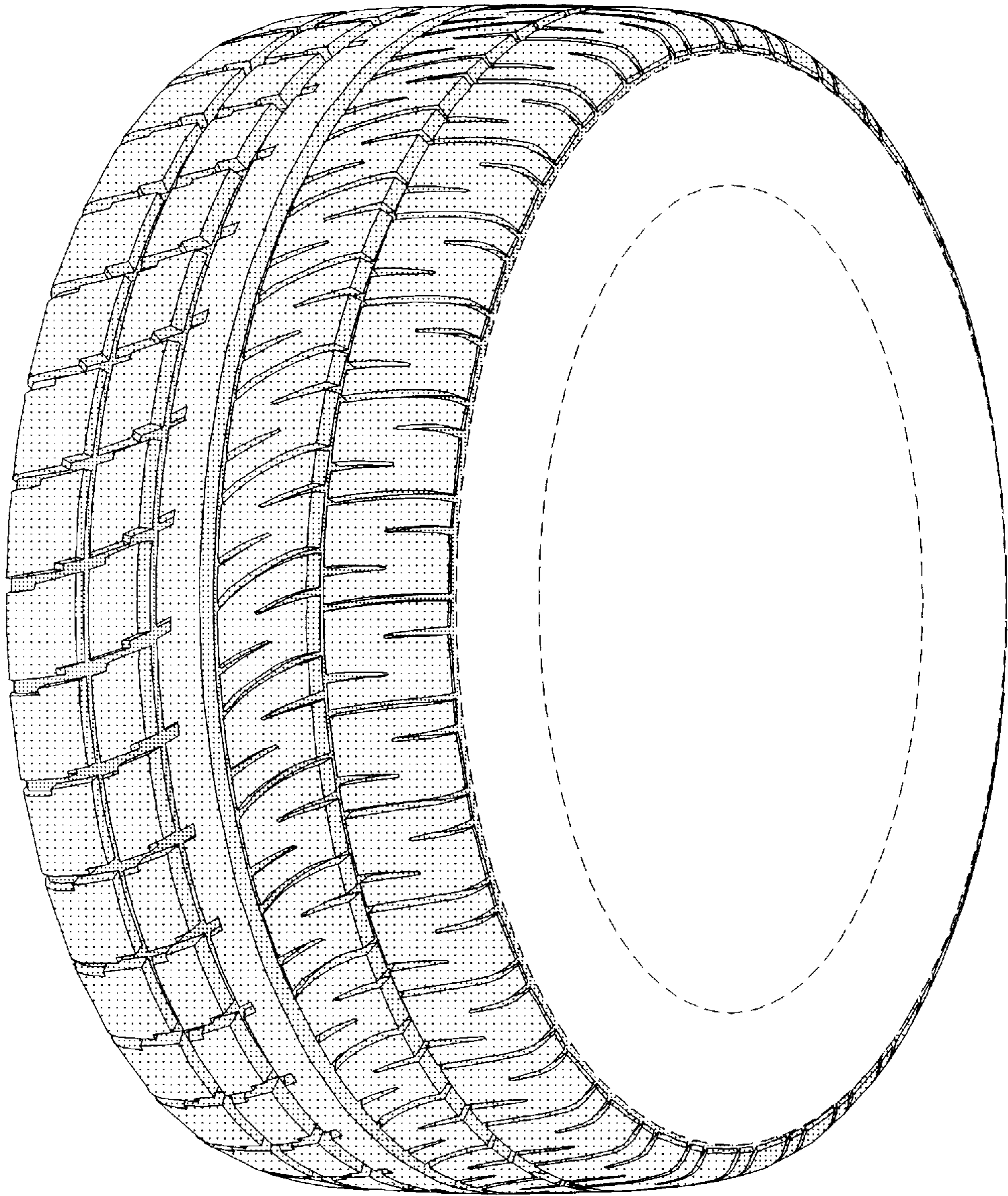


FIG. 1

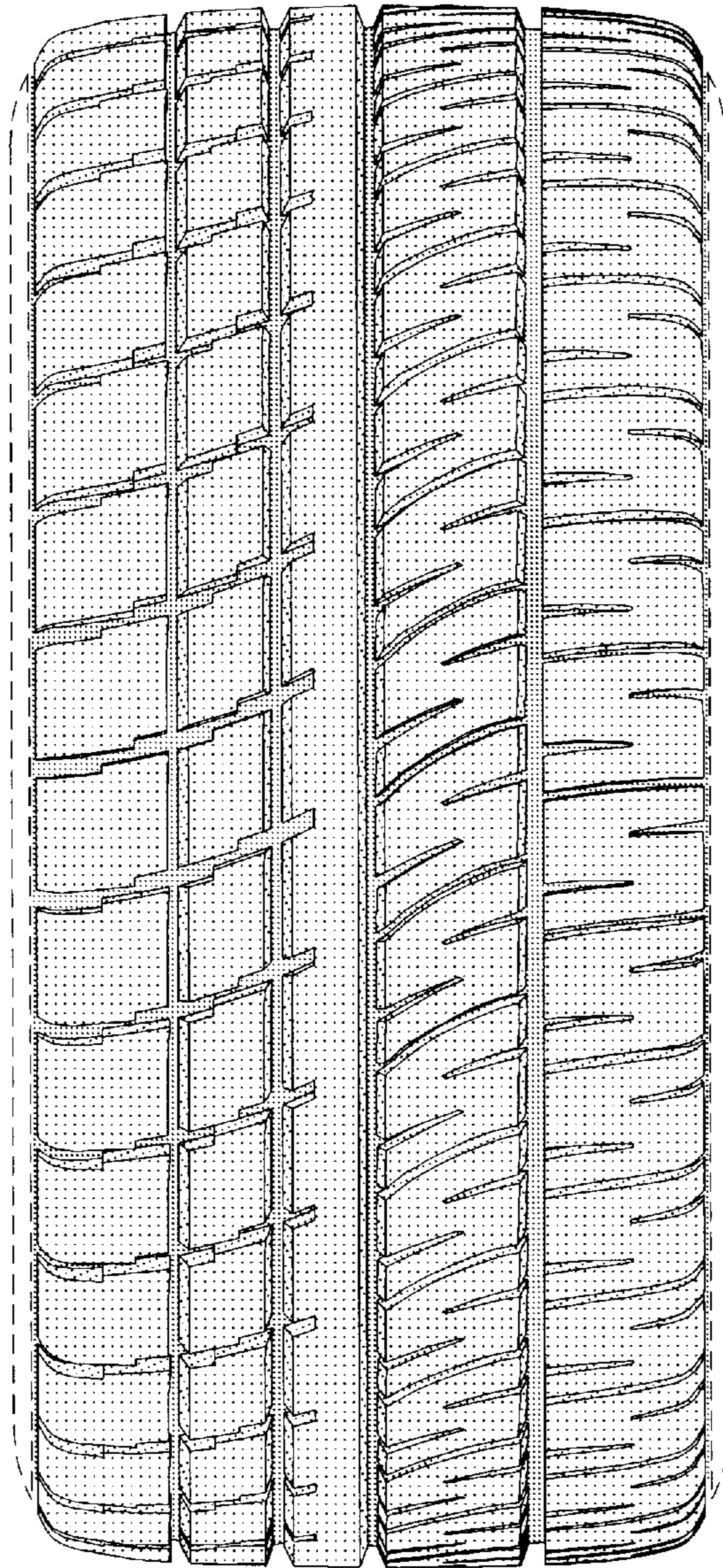


FIG. 2

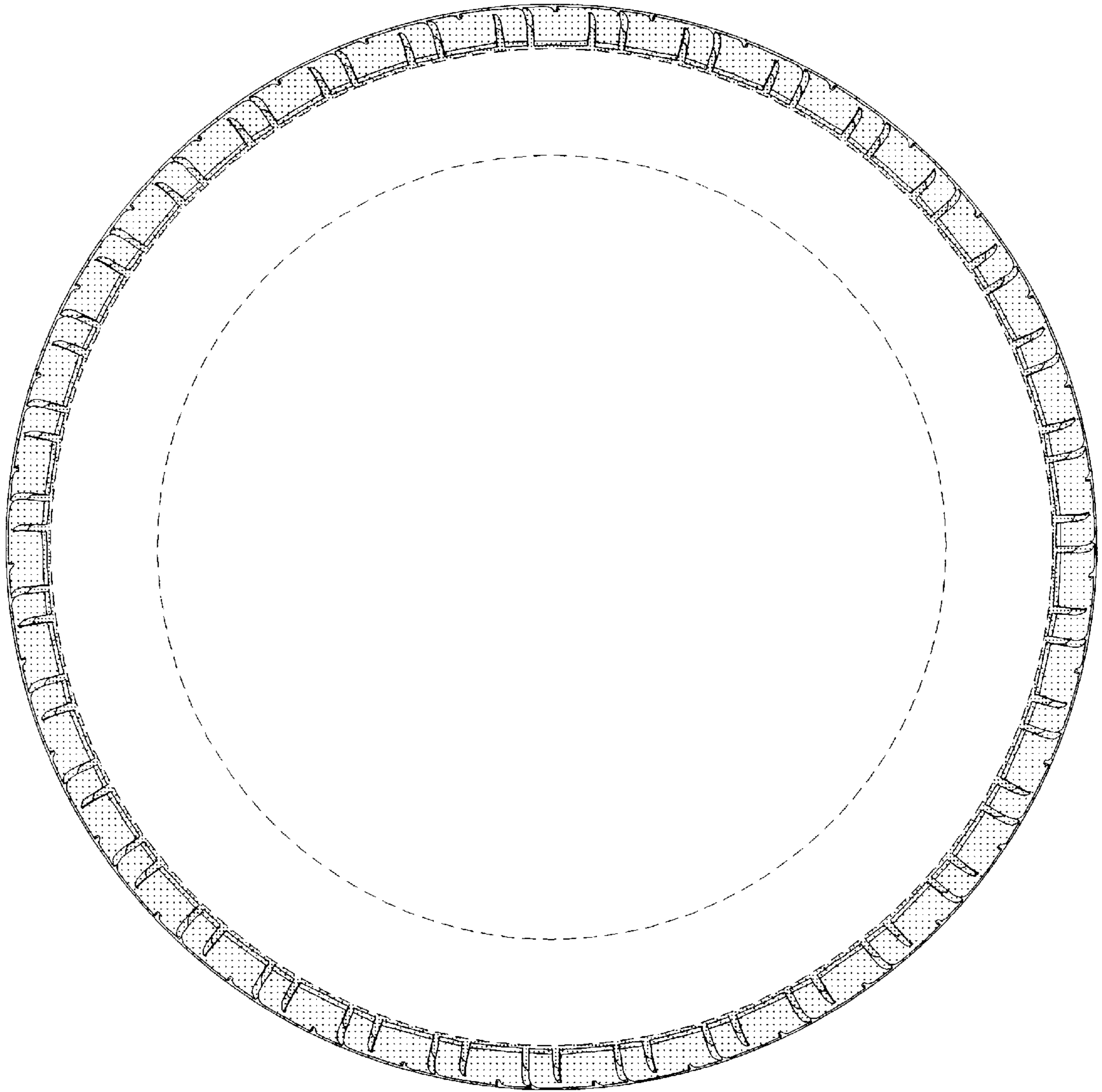


FIG. 3

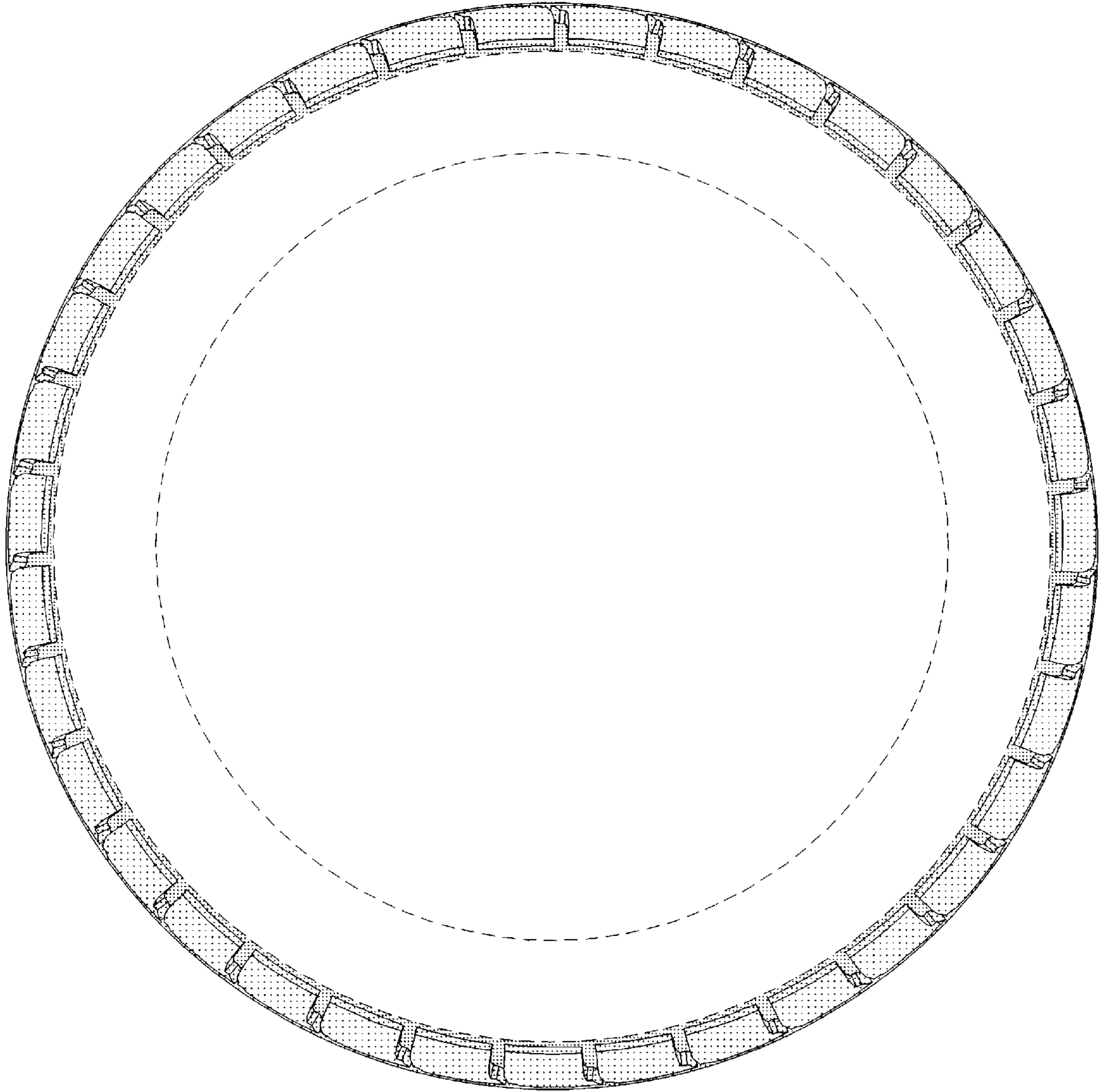


FIG. 4

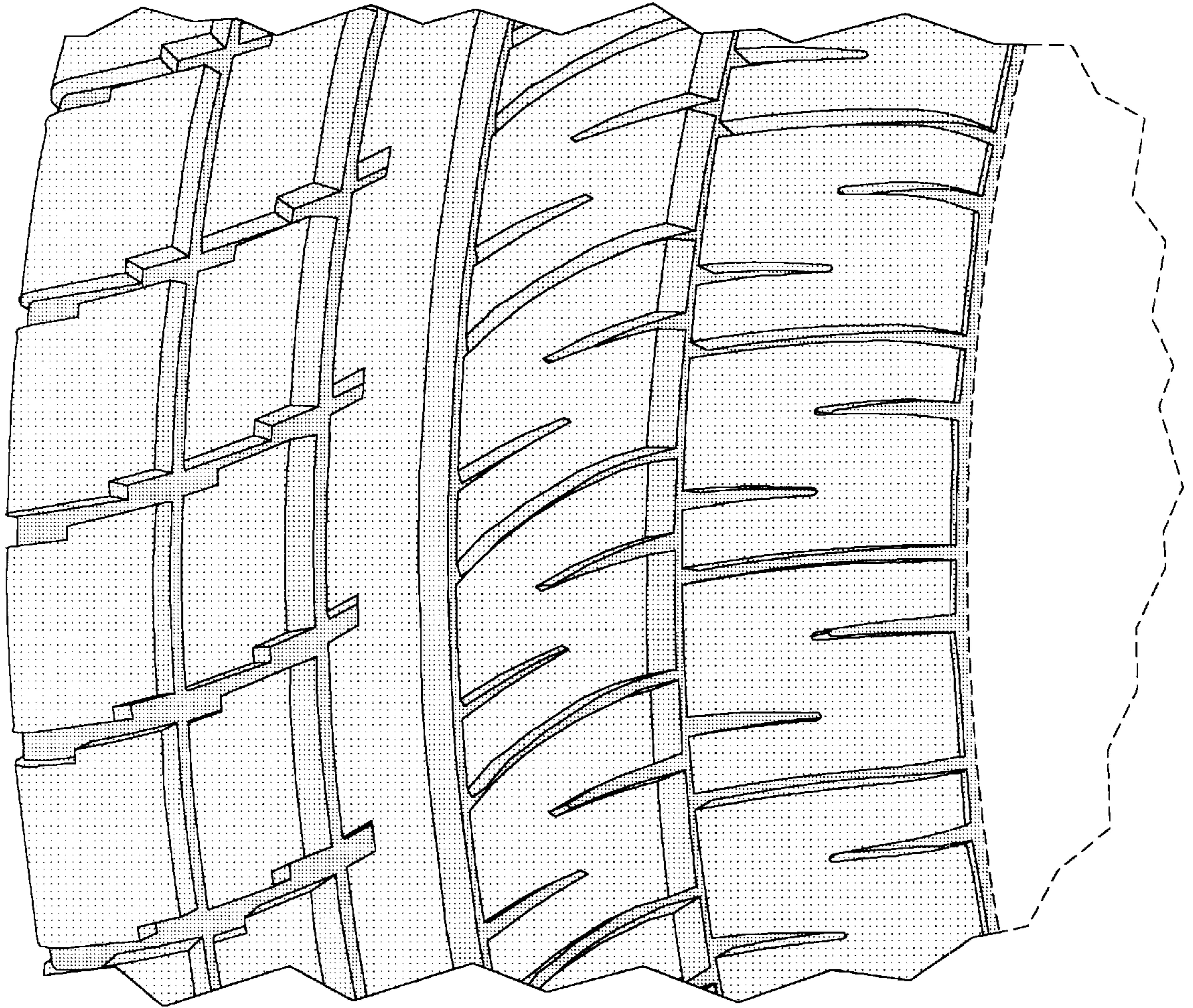


FIG. 5