



US00D401894S

**United States Patent** [19]  
**Cheng**

[11] **Patent Number: Des. 401,894**

[45] **Date of Patent: \*\*Dec. 1, 1998**

[54] **COMBINED WALKER AND ROCKER**

4,084,273 4/1978 Haynes ..... 482/18  
4,494,763 1/1985 Whitehead ..... 280/1.175  
4,832,357 5/1989 Crew ..... 280/304.1

[76] Inventor: **Chung-Jen Cheng**, No. 85, Lane 380,  
Sec. 3, Chang Chi Road, Tainan,  
Taiwan

*Primary Examiner*—Kay H. Chin  
*Attorney, Agent, or Firm*—Rosenberg, Klein & Bilker

[\*\*] Term: **14 Years**

[57] **CLAIM**

[21] Appl. No.: **82,431**

The ornamental design for a combined walker and rocker, as shown and described.

[22] Filed: **Jan. 22, 1998**

**DESCRIPTION**

[51] **LOC (6) Cl.** ..... **12-12**

[52] **U.S. Cl.** ..... **D12/130; D21/412**

[58] **Field of Search** ..... D12/128, 129,  
D12/130; D21/412; 5/105; 482/18; 472/25,  
135; 297/17, 345; 280/1.175, 1.188

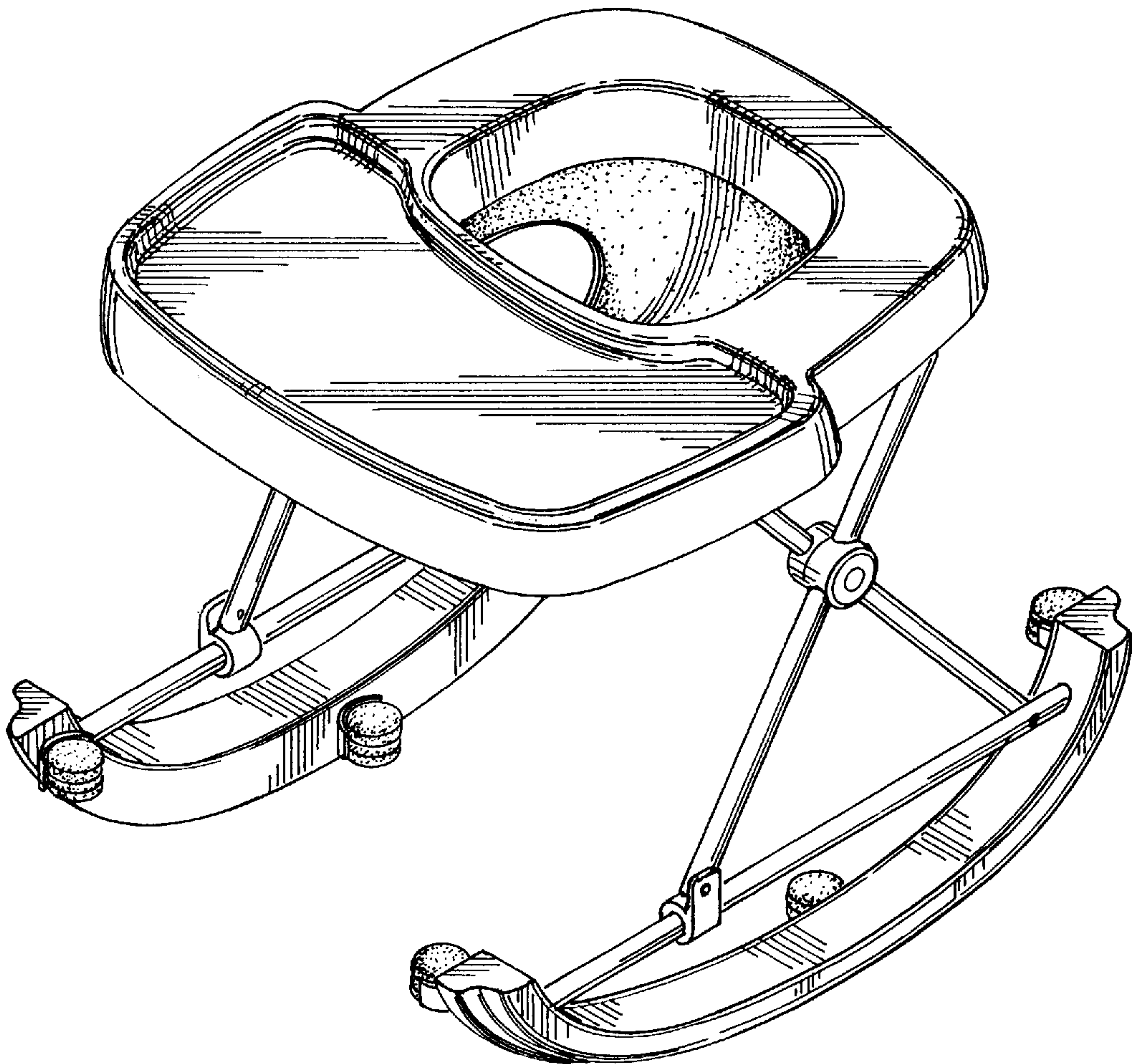
FIG. 1 is a perspective view of a combined walker and rocker showing my new design;  
FIG. 2 is a front elevational view thereof;  
FIG. 3 is a rear elevational view thereof;  
FIG. 4 is a left side elevational view thereof;  
FIG. 5 is a right side elevational view thereof;  
FIG. 6 is a top plan view thereof; and,  
FIG. 7 is a bottom plan view thereof.

[56] **References Cited**

**U.S. PATENT DOCUMENTS**

D. 355,939 2/1995 Meeker et al. .... D21/412  
4,025,107 5/1977 Chippa ..... 472/25

**1 Claim, 4 Drawing Sheets**



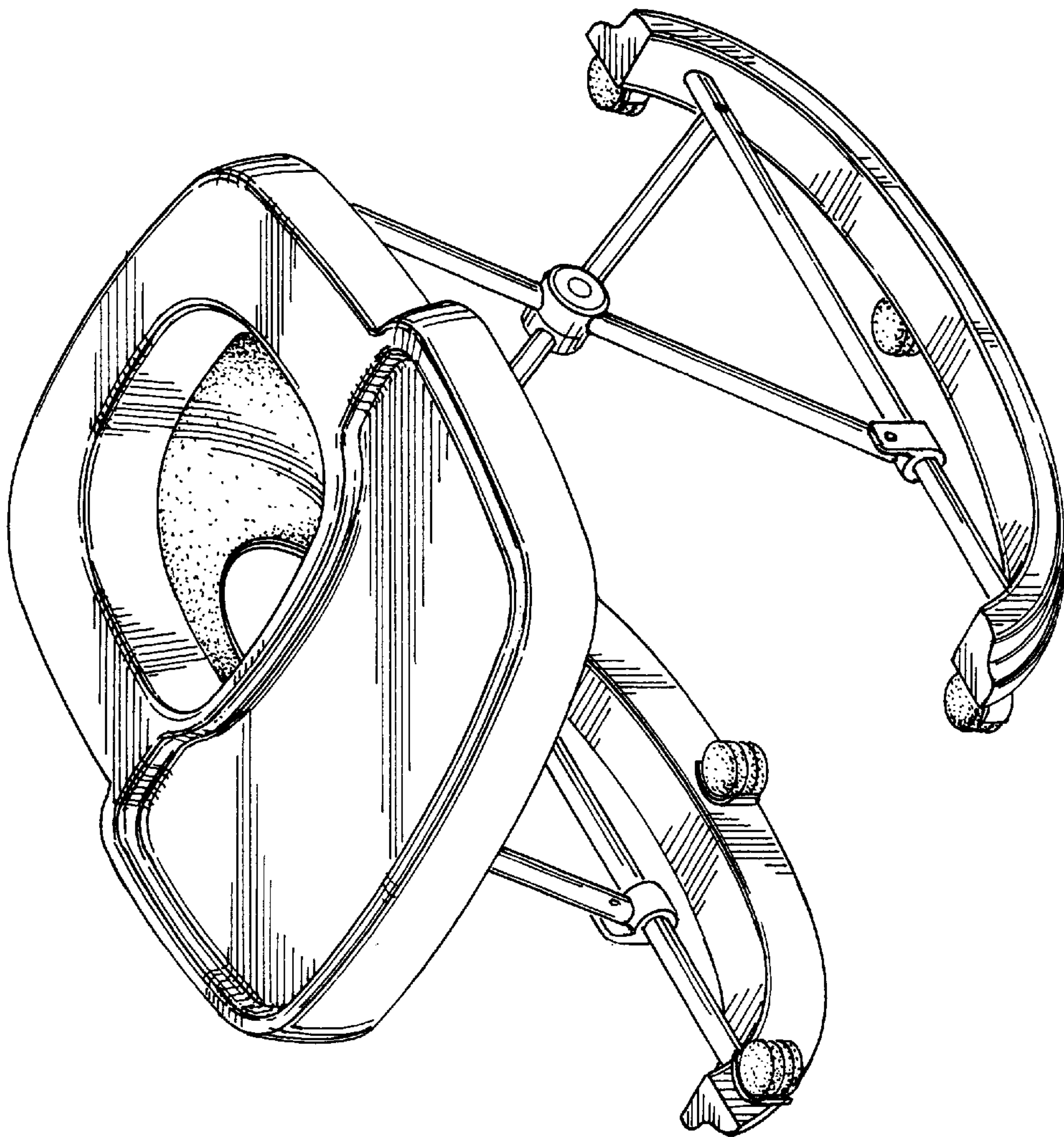


FIG. 1

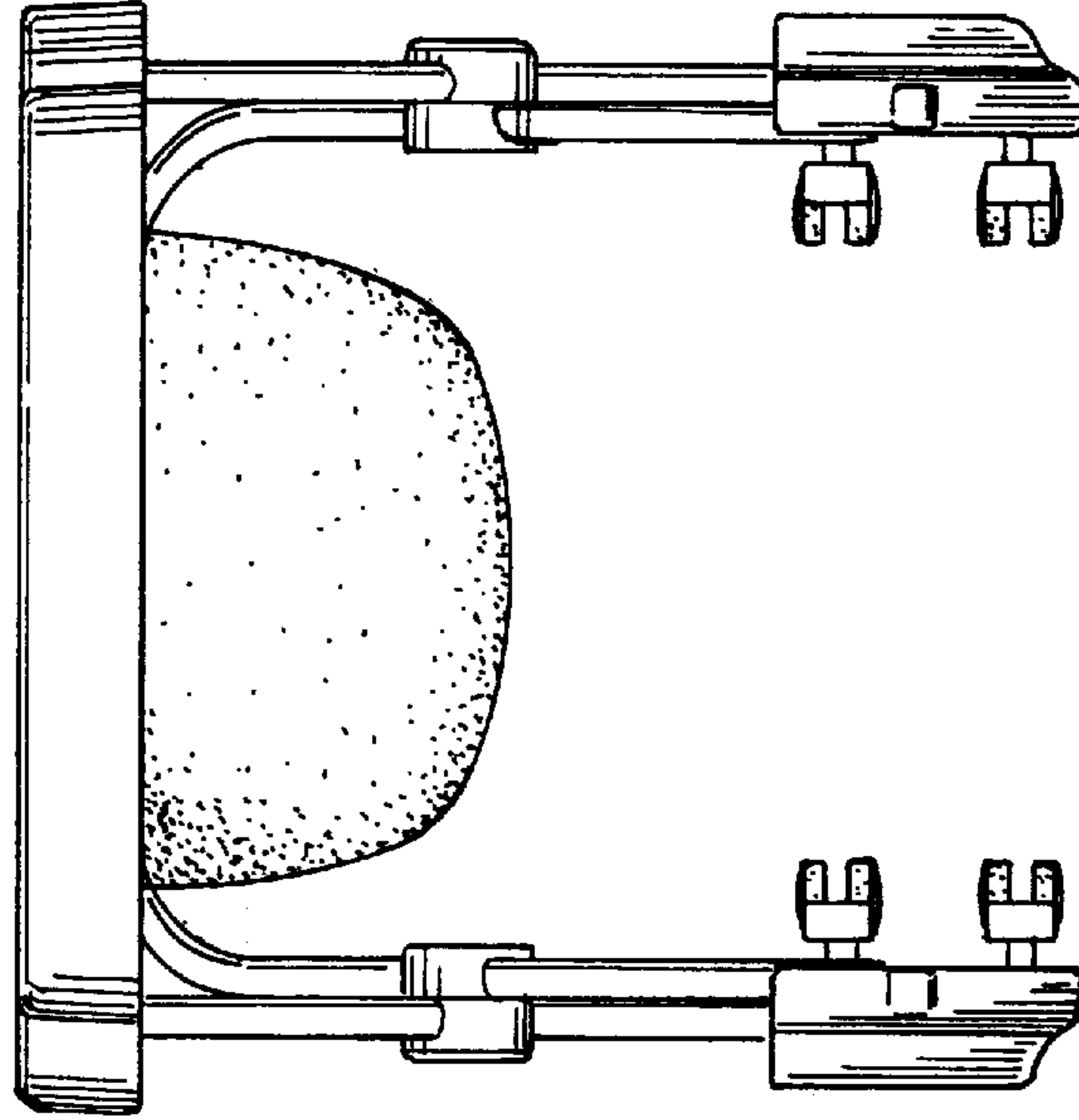


FIG. 3

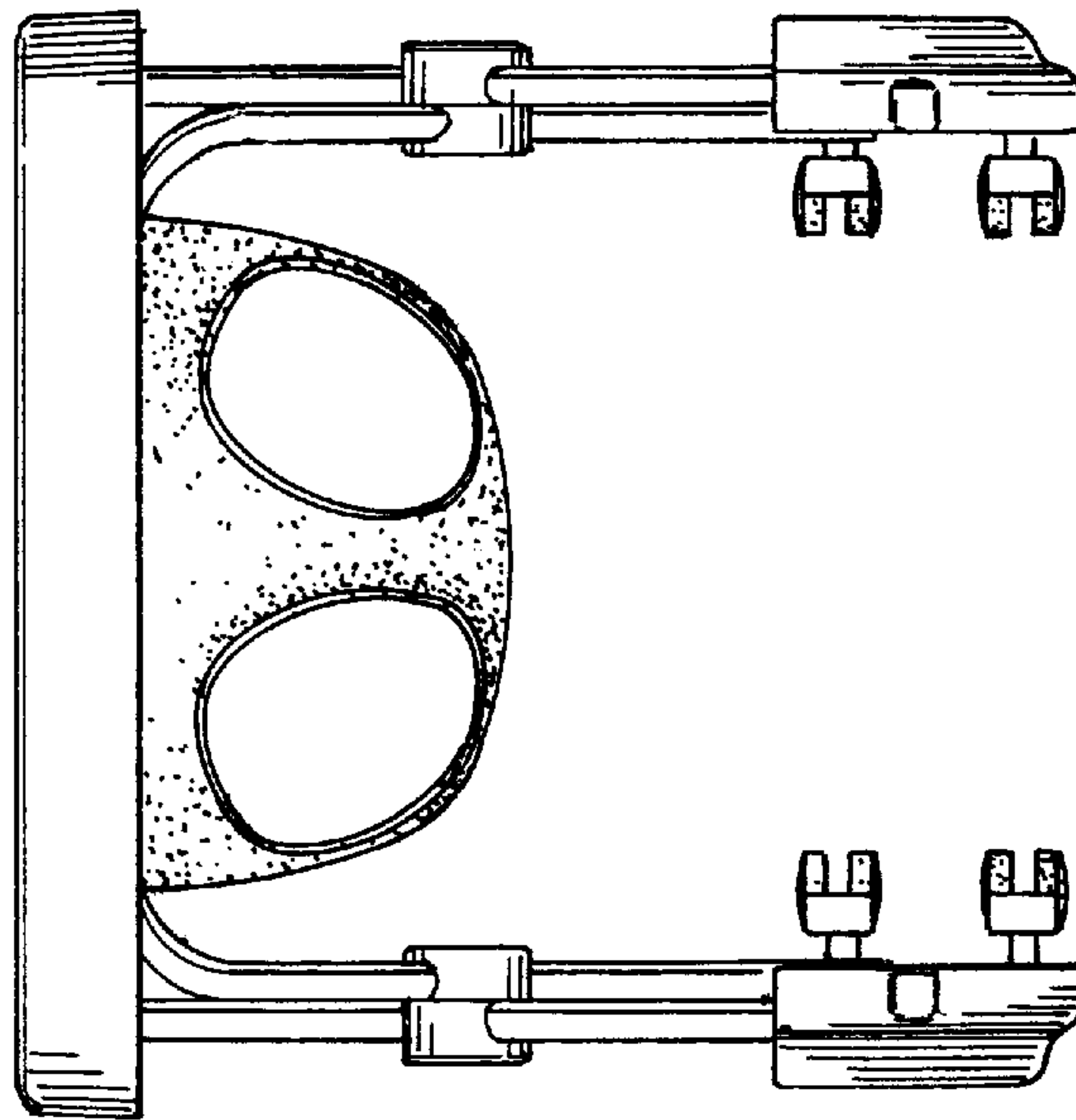


FIG. 2



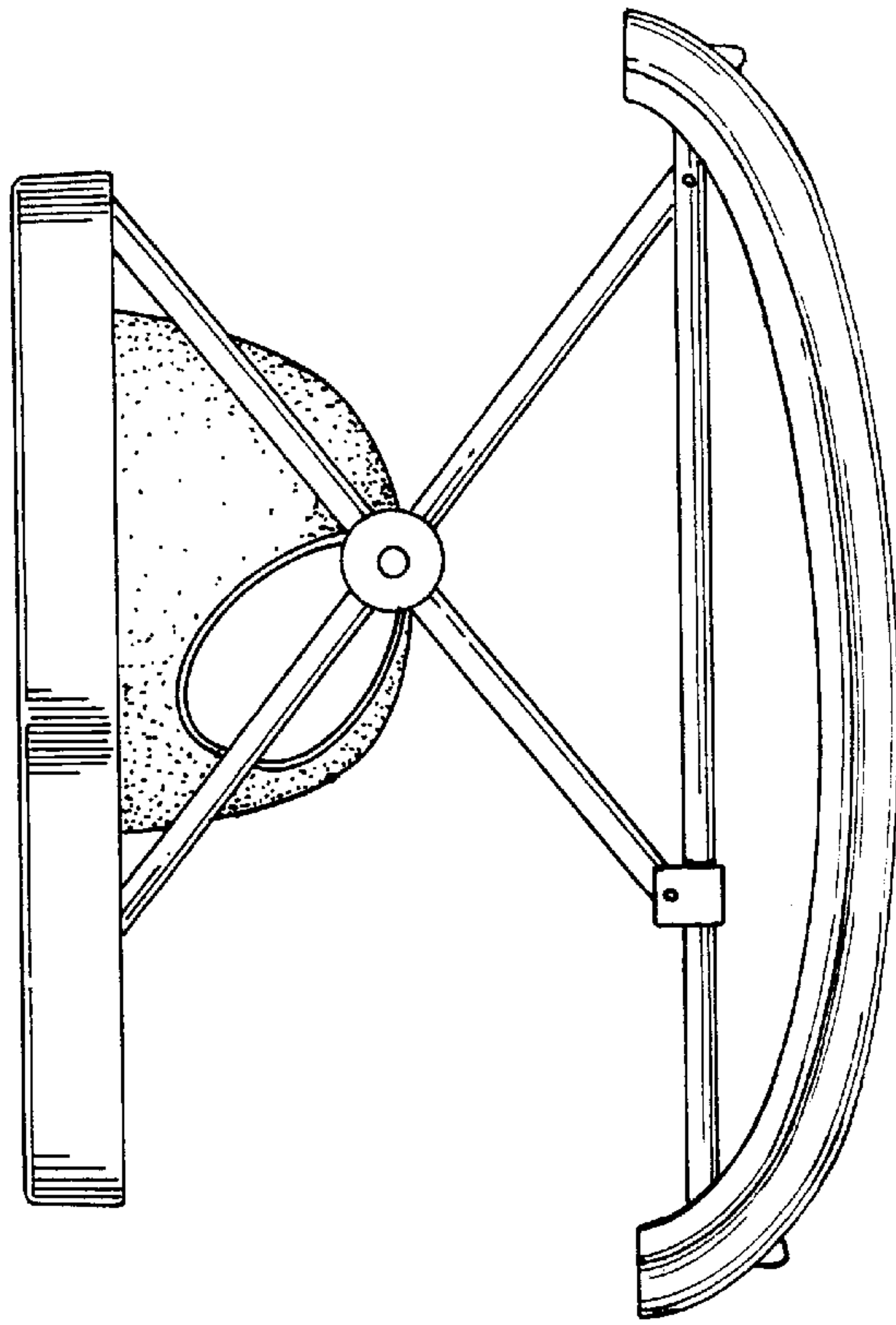


FIG. 5

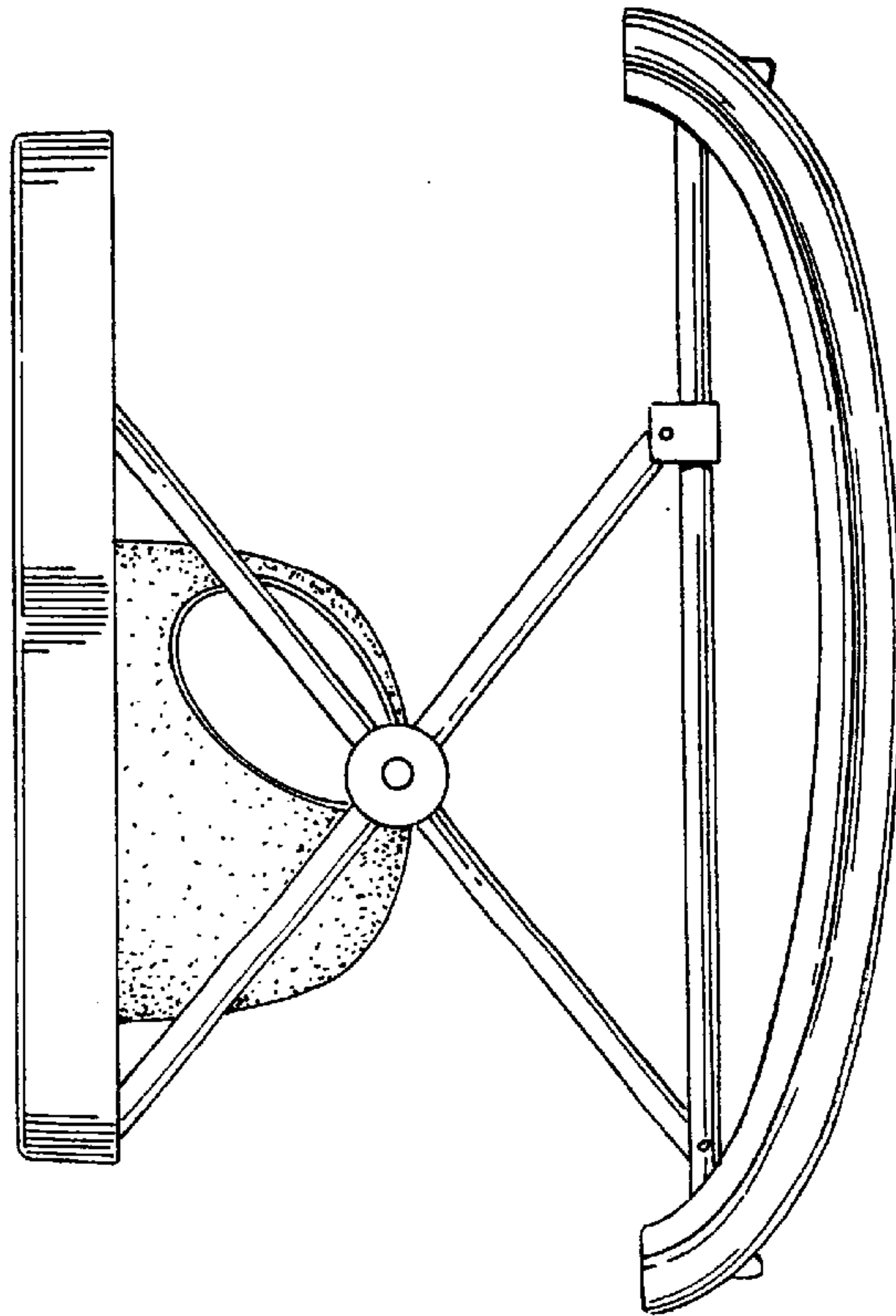


FIG. 4

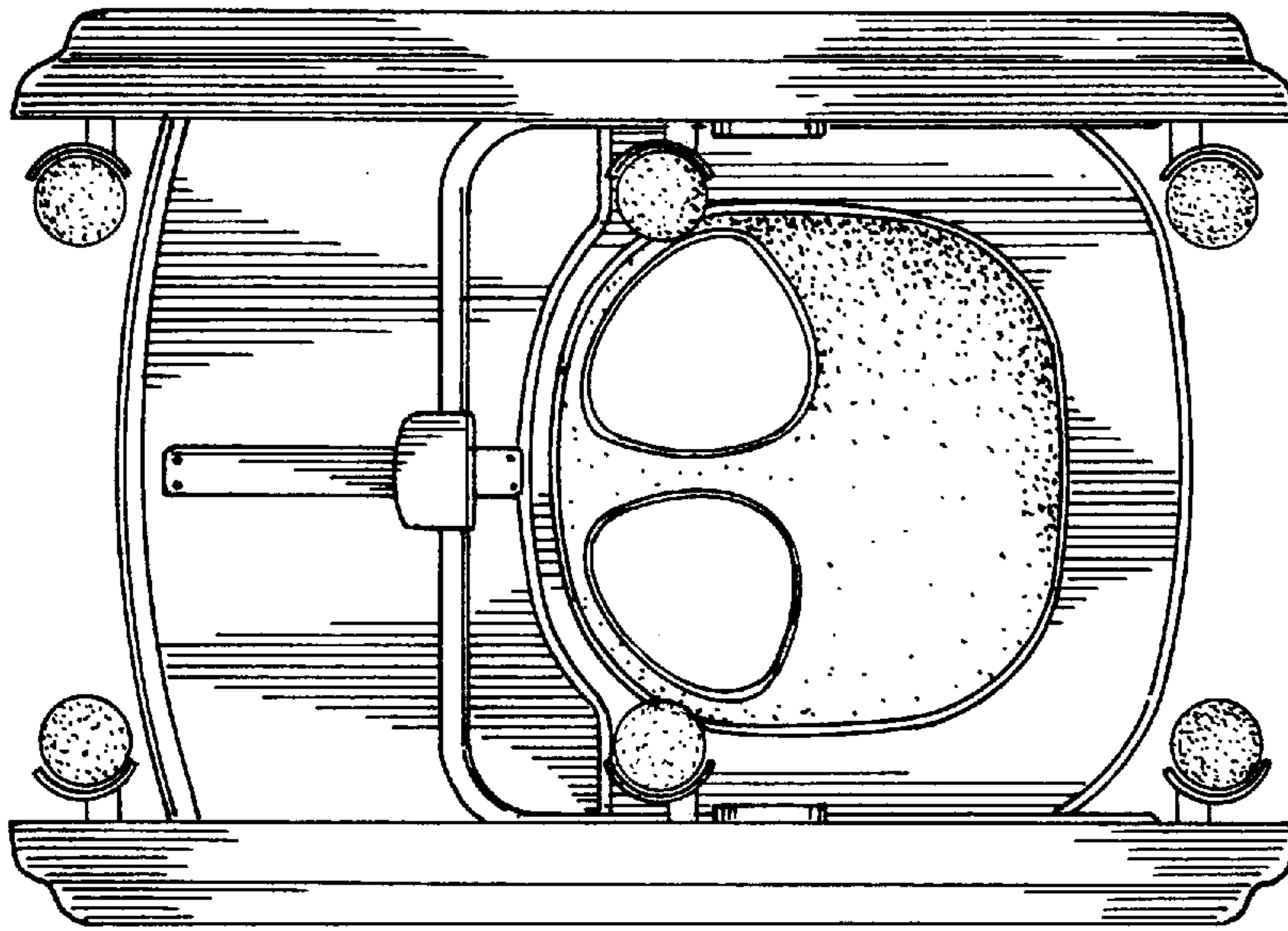


FIG. 7

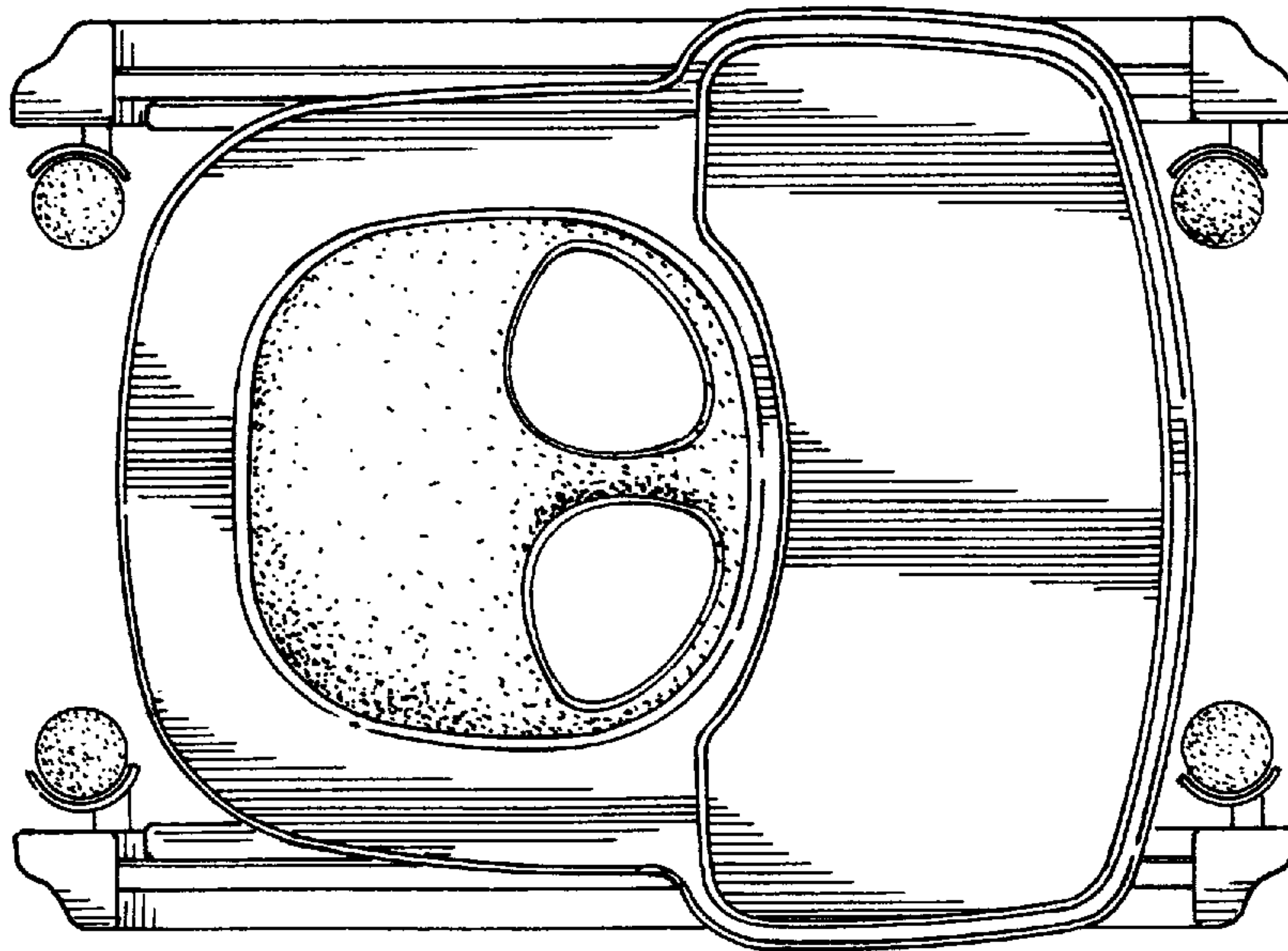


FIG. 6