



US00D401893S

United States Patent [19]
Denney

[11] **Patent Number: Des. 401,893**

[45] **Date of Patent: **Dec. 1, 1998**

[54] **BICYCLE PARKING RACK**

D. 369,332 4/1996 Smith D12/115

[76] Inventor: **Merrill R. Denney**, 12419 SW. Knoll
Dr., Tigard, Oreg. 97223

Primary Examiner—Melody N. Brown

[**] Term: **14 Years**

[57] **CLAIM**

The ornamental design for a bicycle parking rack, as shown and described.

[21] Appl. No.: **73,614**

[22] Filed: **Jul. 11, 1997**

DESCRIPTION

[51] **LOC (6) Cl.** **12-11**

FIG. 1 is a right side elevation view of my new bicycle parking rack;

[52] **U.S. Cl.** **D12/115**

FIG. 2 is a left side elevation view of the same, being a mirror image of the right side;

[58] **Field of Search** D12/115; 211/17-22

FIG. 3 is a rear elevation view of the same;

[56] **References Cited**

FIG. 4 is a front elevation view of the same;

U.S. PATENT DOCUMENTS

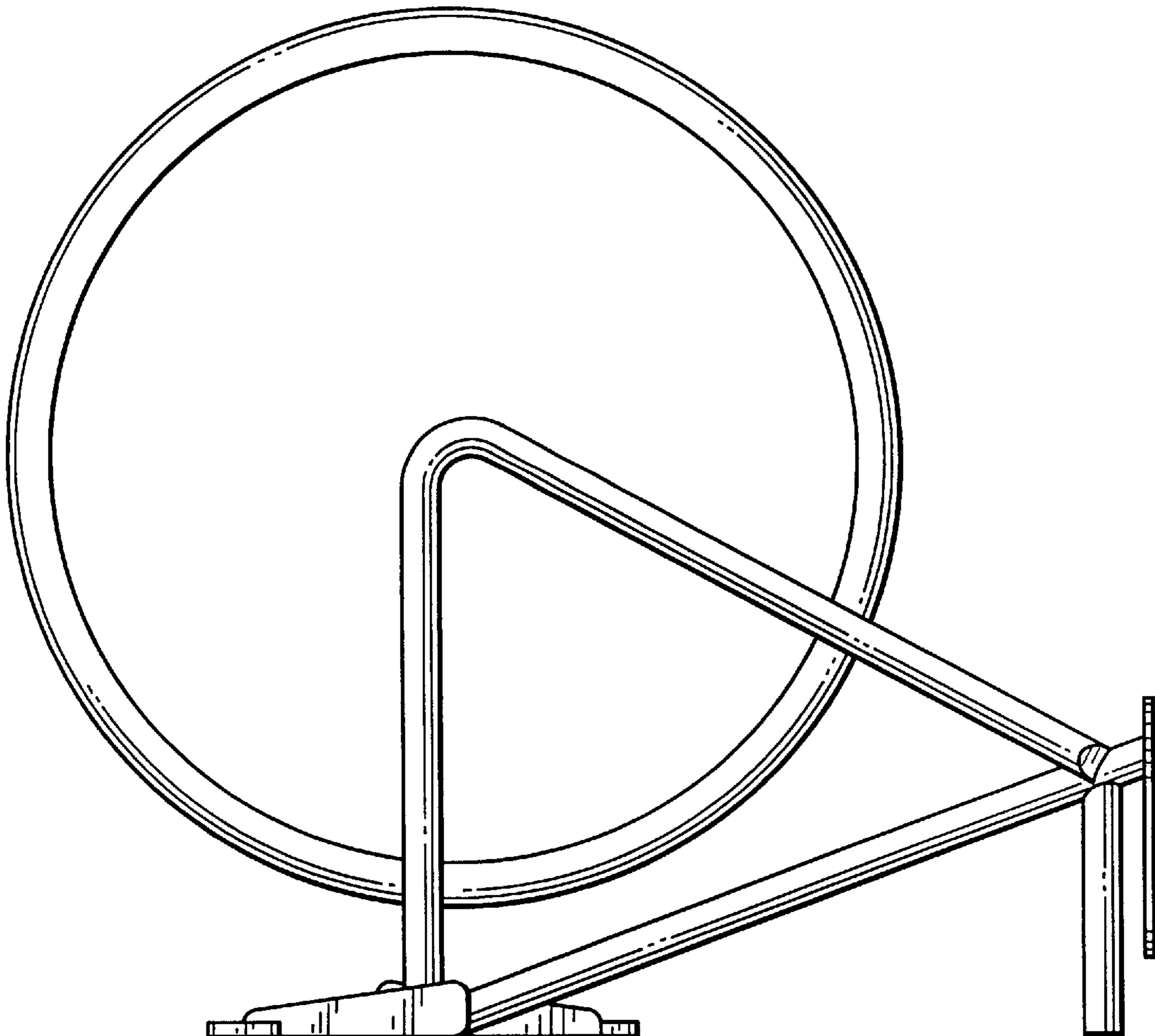
FIG. 5 is a top plan view of the same; and,

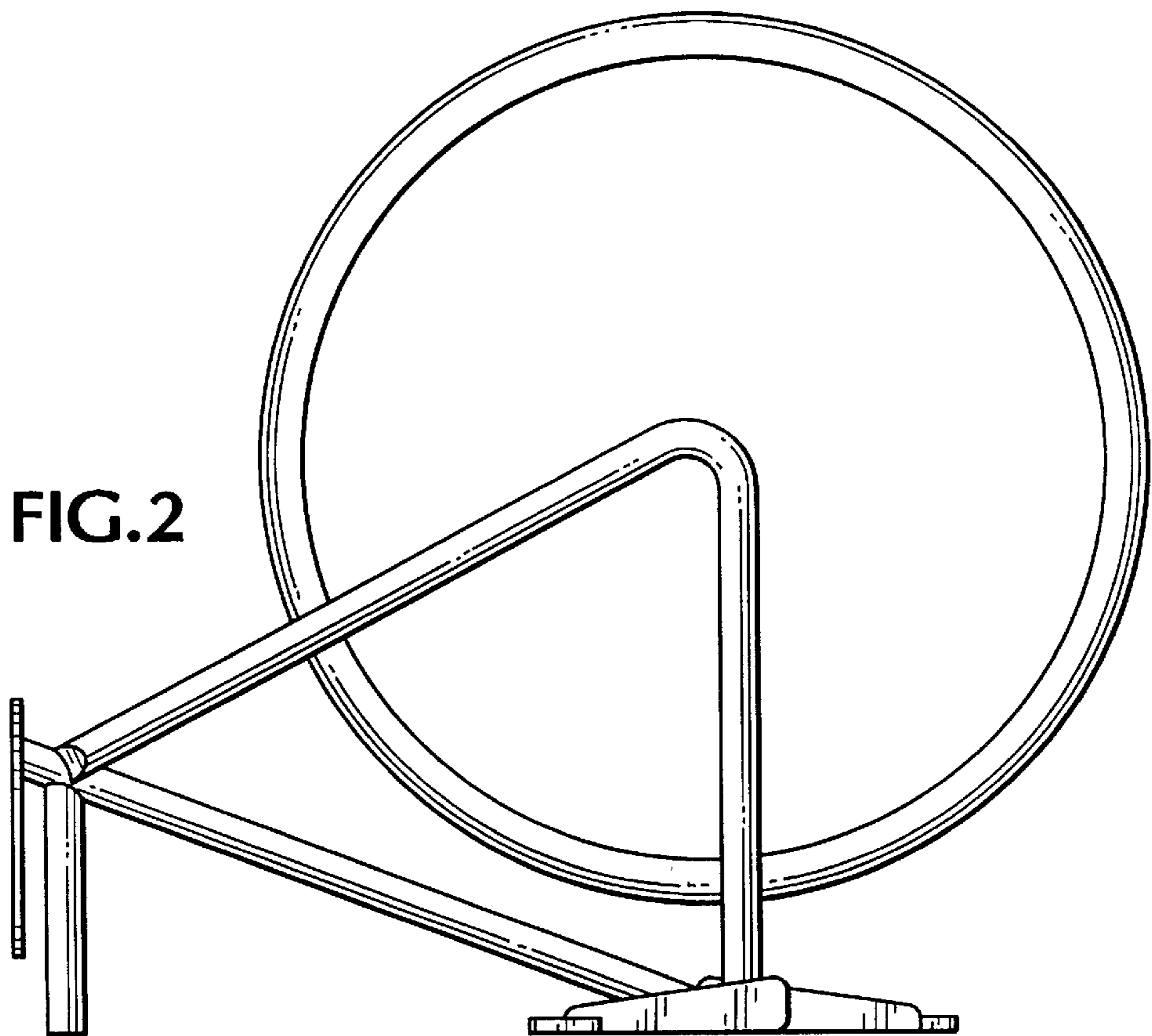
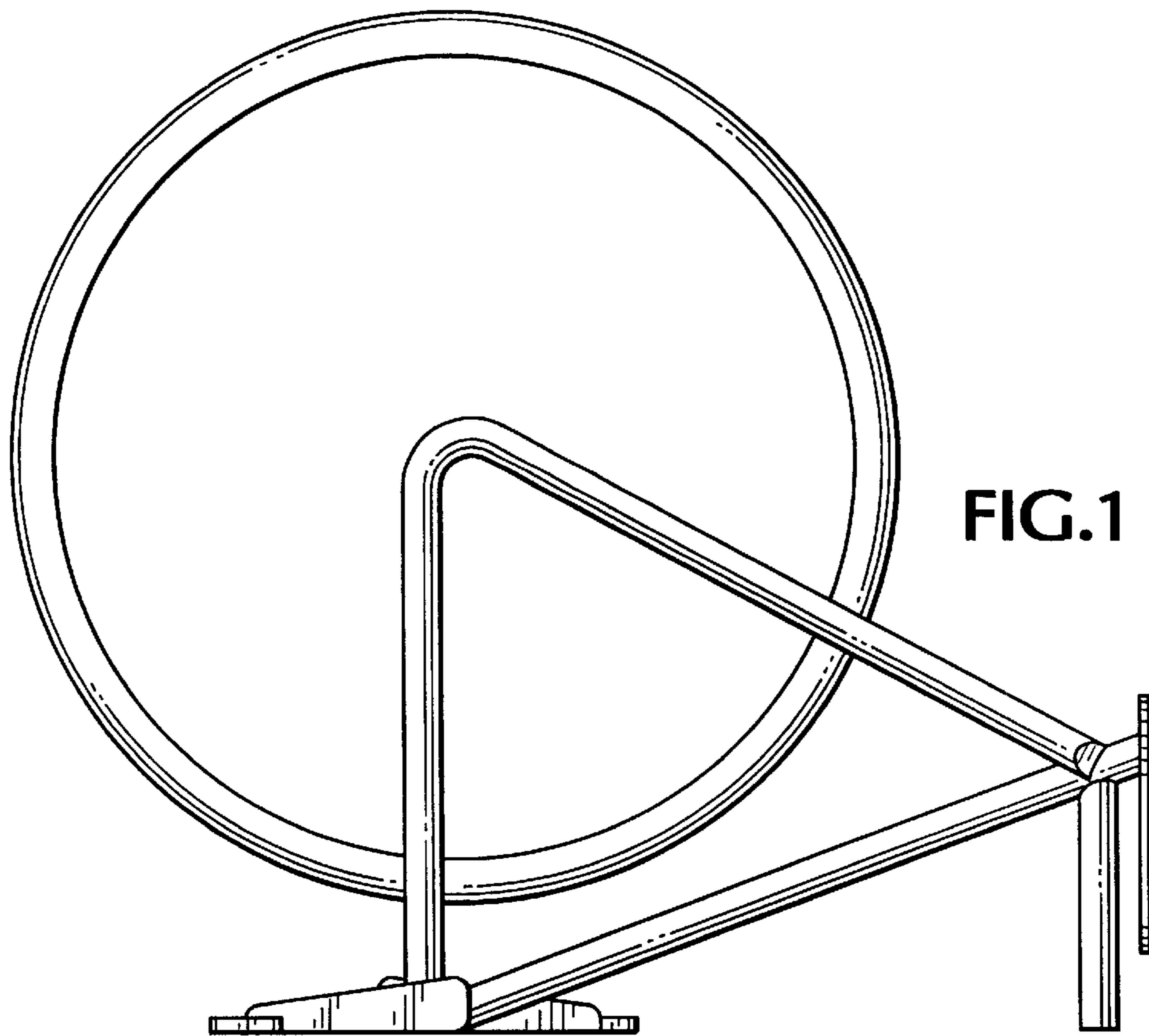
D. 337,083 7/1993 Rankin D12/115

FIG. 6 is a bottom view of the same.

D. 367,022 2/1996 Graber D12/115

1 Claim, 2 Drawing Sheets





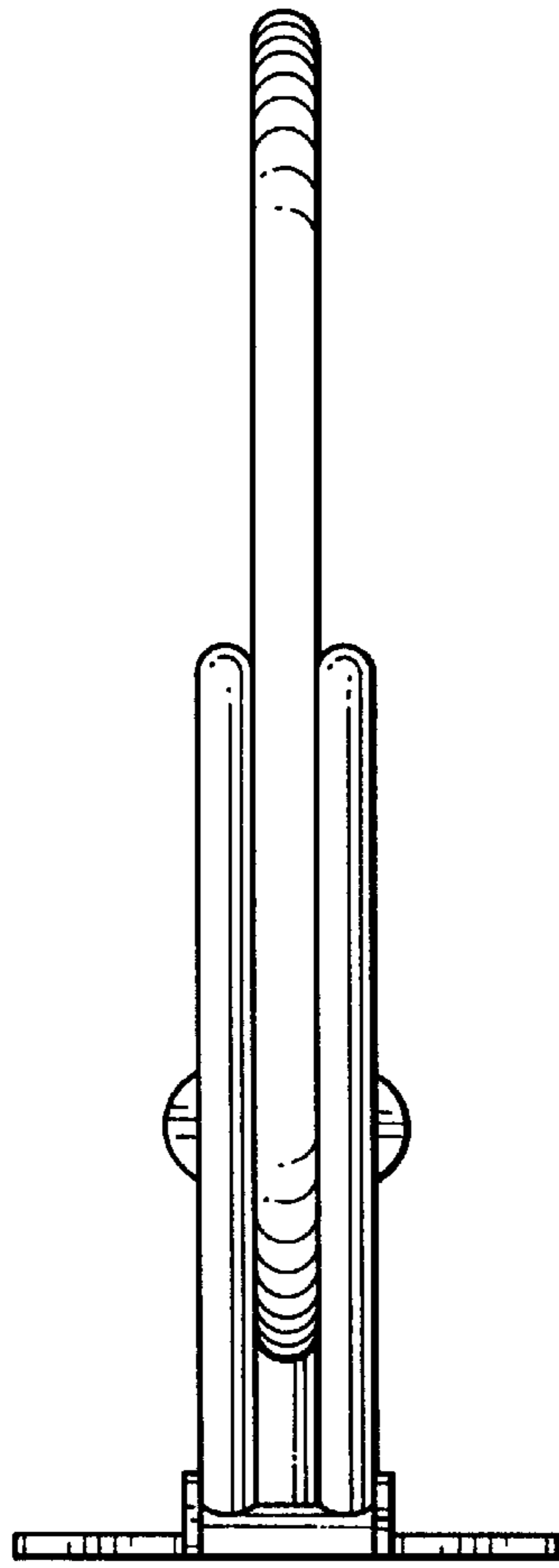


FIG. 3

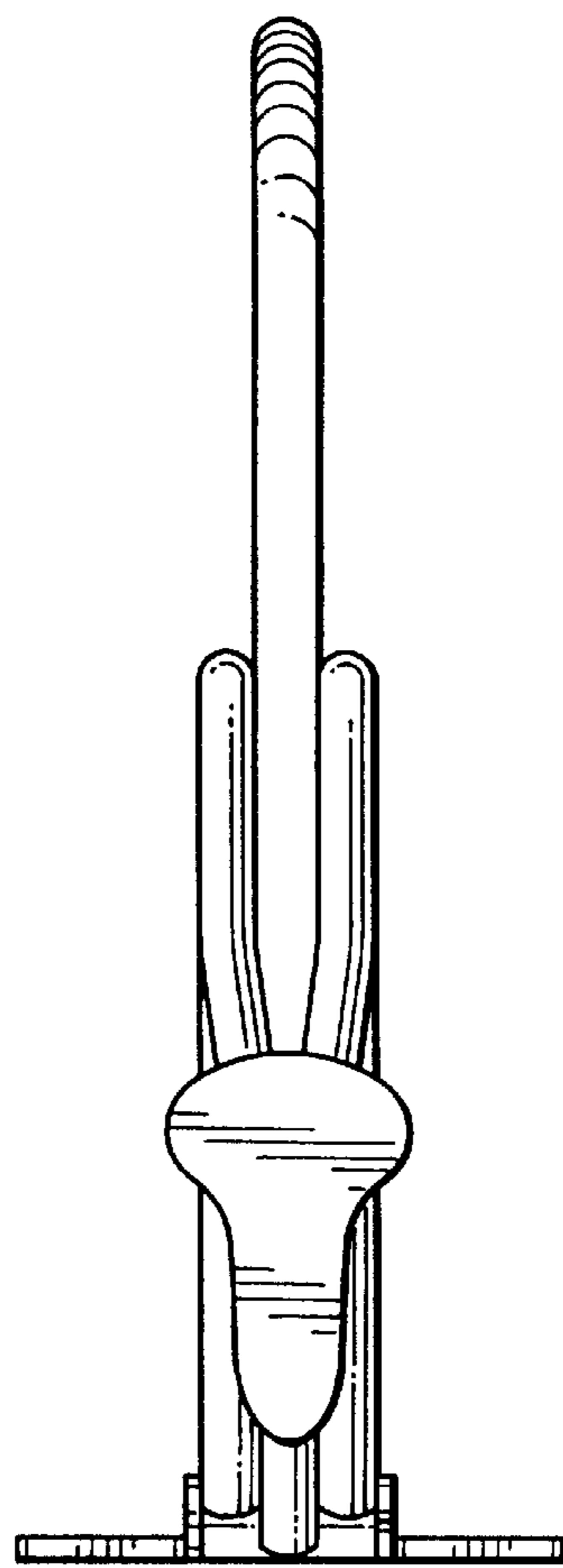


FIG. 4

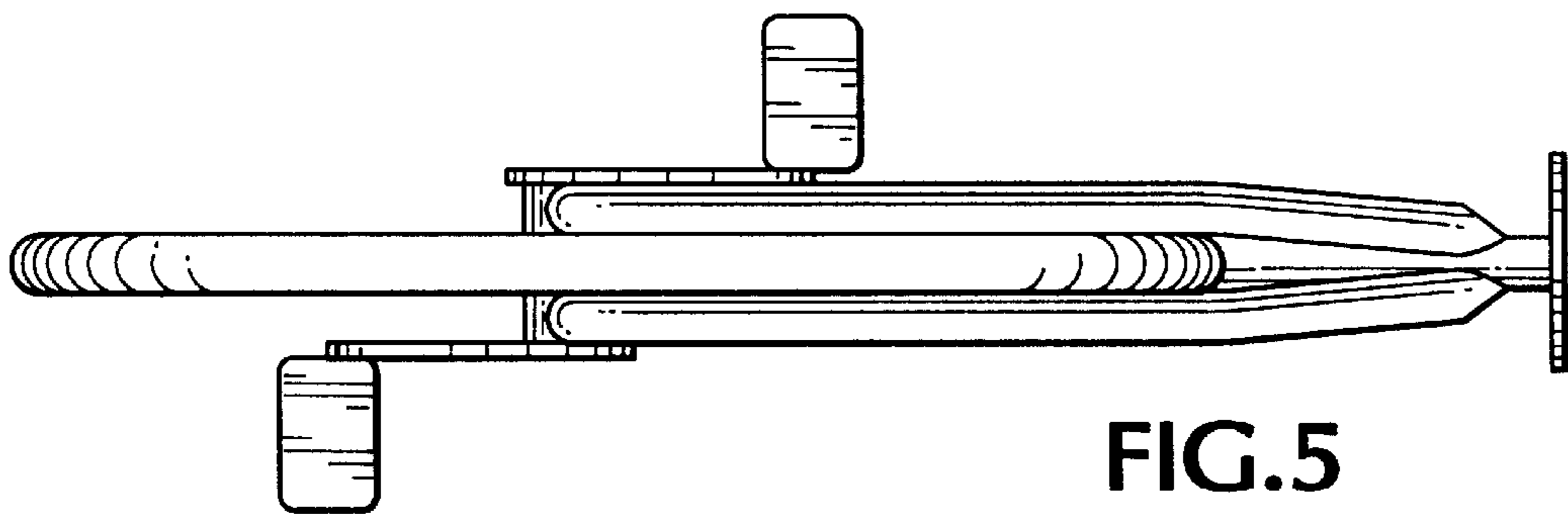


FIG. 5

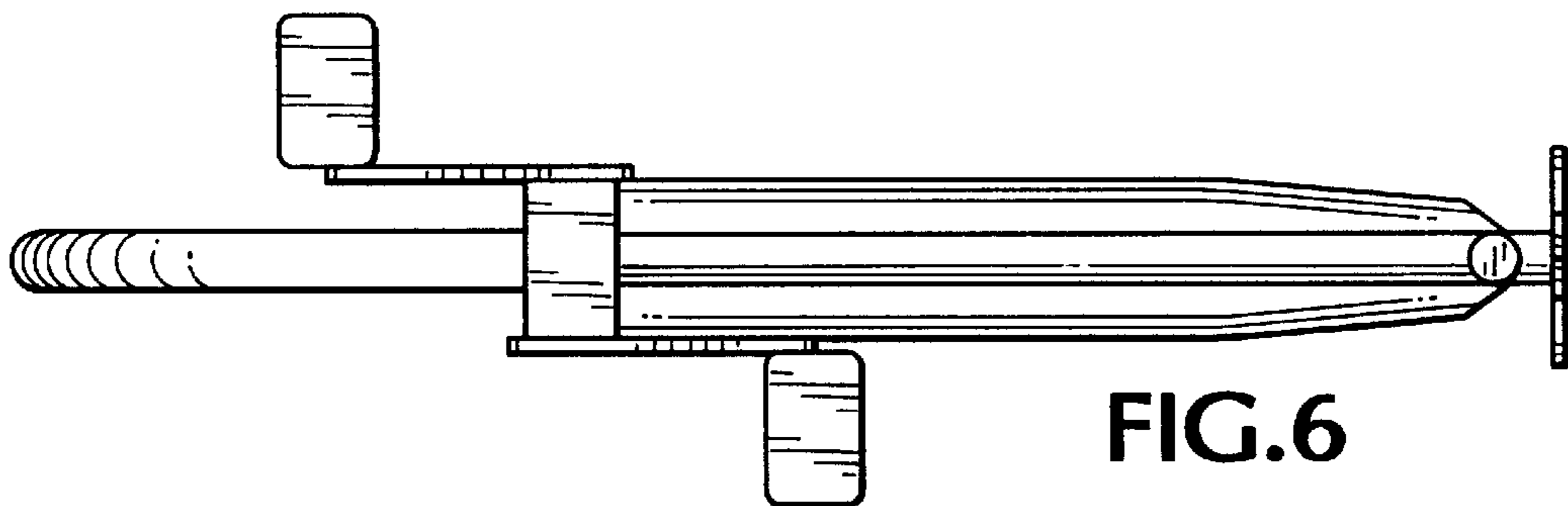


FIG. 6