



US00D401889S

United States Patent [19]
Wong

[11] **Patent Number: Des. 401,889**
[45] **Date of Patent: **Dec. 1, 1998**

[54] **MAGNETIC SNAP**

[76] Inventor: **Sheung Chung Wong**, Room No. 1,
10/F., Yee Kuk Industrial Centre, 555
Yee Kuk Street, Cheung Sha Wan,
Kowloon, Hong Kong

[**] Term: **14 Years**

[21] Appl. No.: **69,621**

[22] Filed: **Apr. 22, 1997**

[51] **LOC (6) Cl.** **02-07**

[52] **U.S. Cl.** **D11/220**

[58] **Field of Search** D11/200, 205-220,
D11/231; 24/171-172, 303, 201, 90; 575/285;
294/65.5

[56] **References Cited**

U.S. PATENT DOCUMENTS

- D. 294,810 3/1988 Morita D11/231
- D. 375,061 10/1996 Morita D11/220

Primary Examiner—Ralf Seifert
Attorney, Agent, or Firm—Beveridge, DeGrandi, Weilacher
& Young, LLP

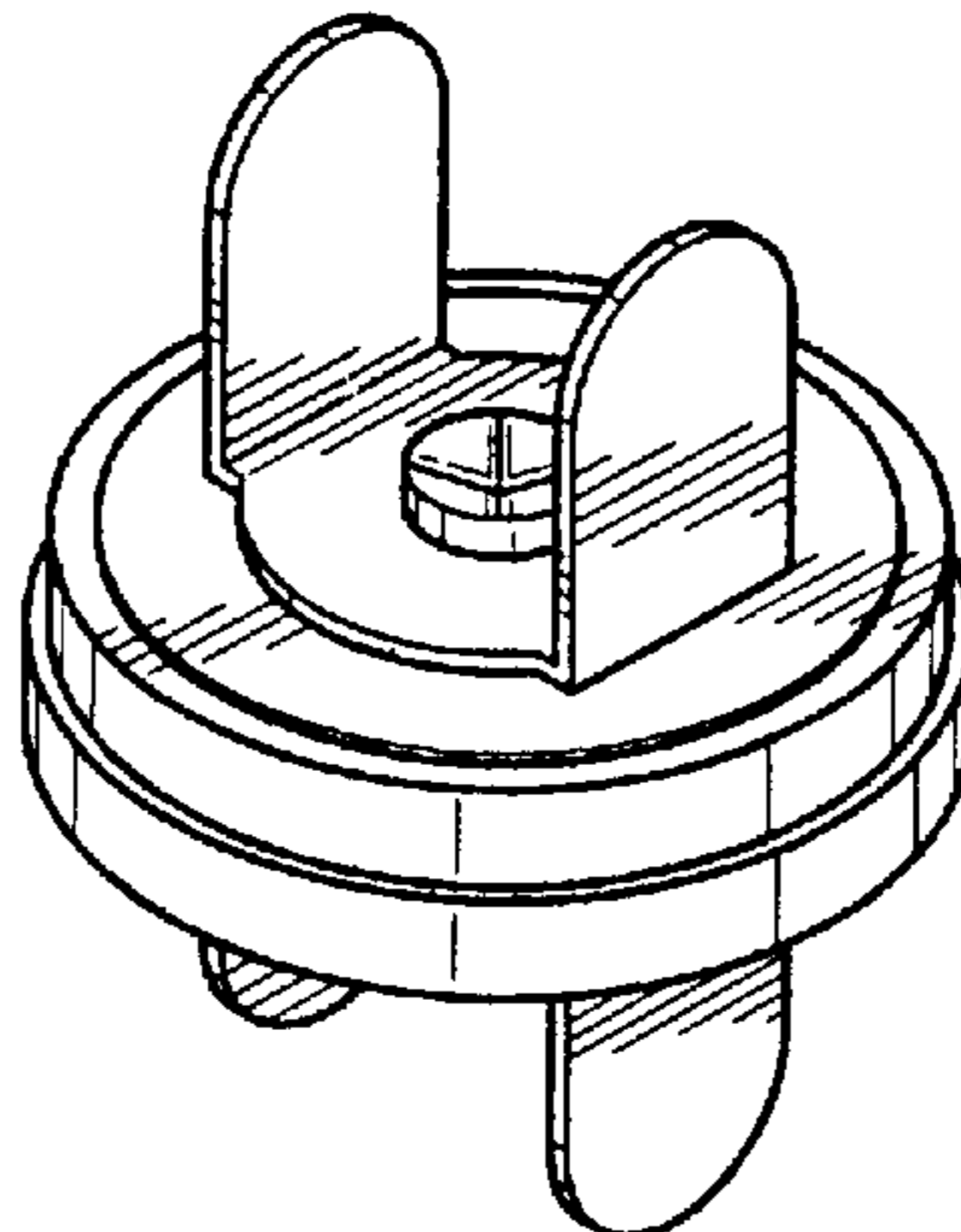
[57] **CLAIM**

The ornamental design for a magnetic snap, as shown and described.

DESCRIPTION

FIG. 1 is a perspective view of a magnetic snap showing my new design;
FIG. 2 is an exploded perspective view;
FIG. 3 is a perspective view of the side opposite that shown in FIG. 1;
FIG. 4 is a exploded view of FIG. 3;
FIG. 5 is a front view of FIG. 1;
FIG. 6 is a rear view of FIG. 1;
FIG. 7 is a left side view of FIG. 1;
FIG. 8 is a right side view of FIG. 1;
FIG. 9 is a top plan view of FIG. 1; and,
FIG. 10 is a bottom plan view of FIG. 1.

1 Claim, 2 Drawing Sheets



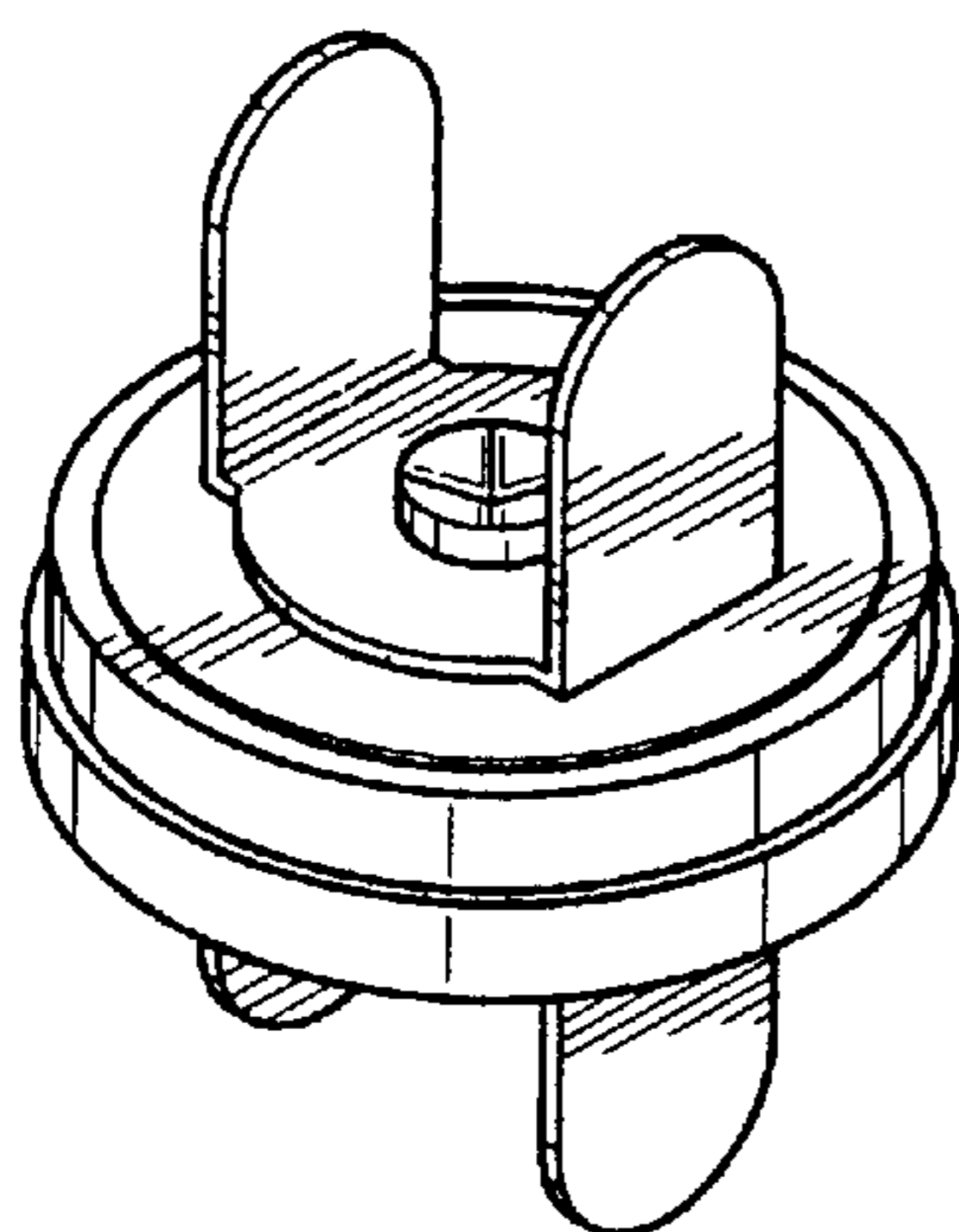


FIG. 1

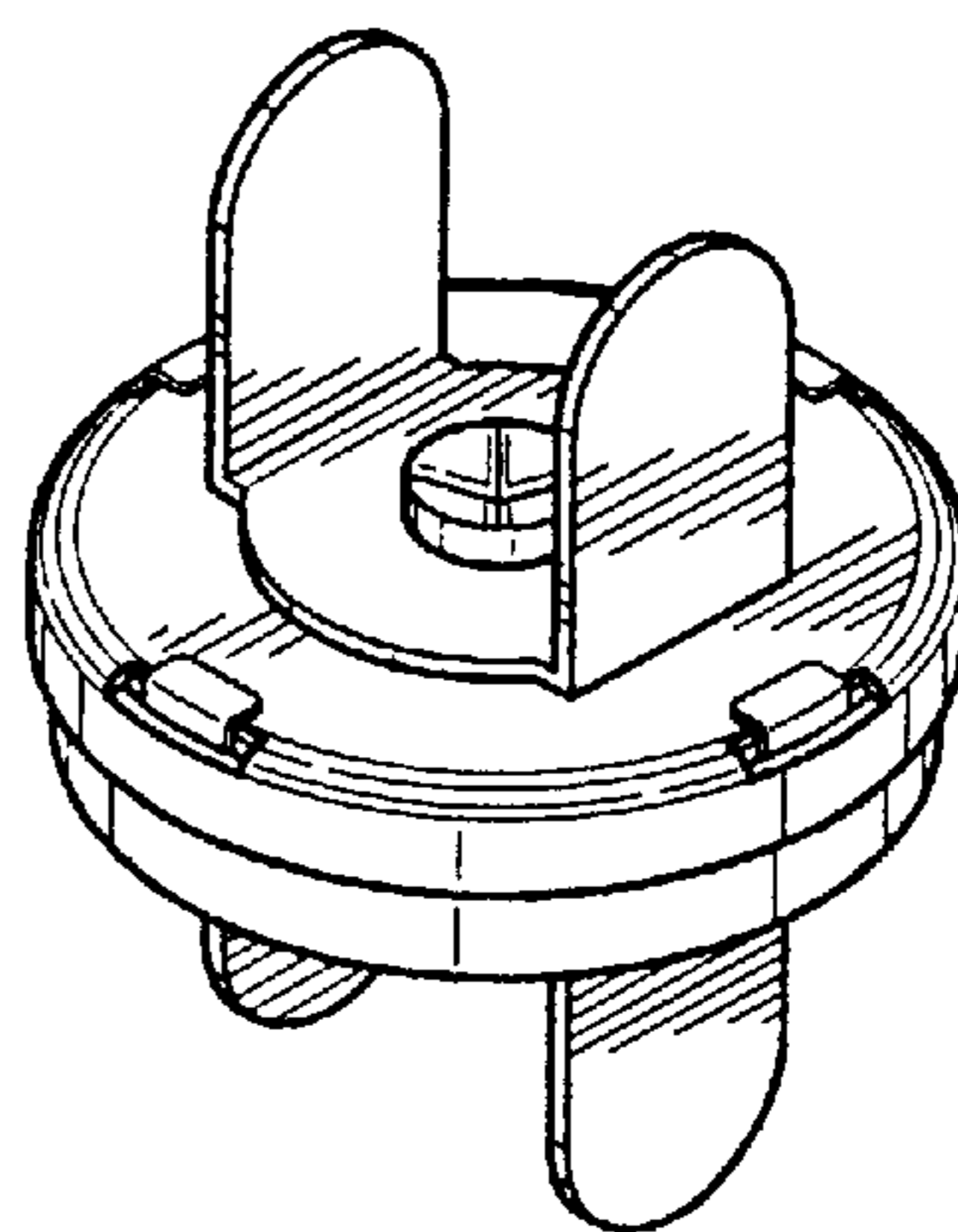


FIG. 3

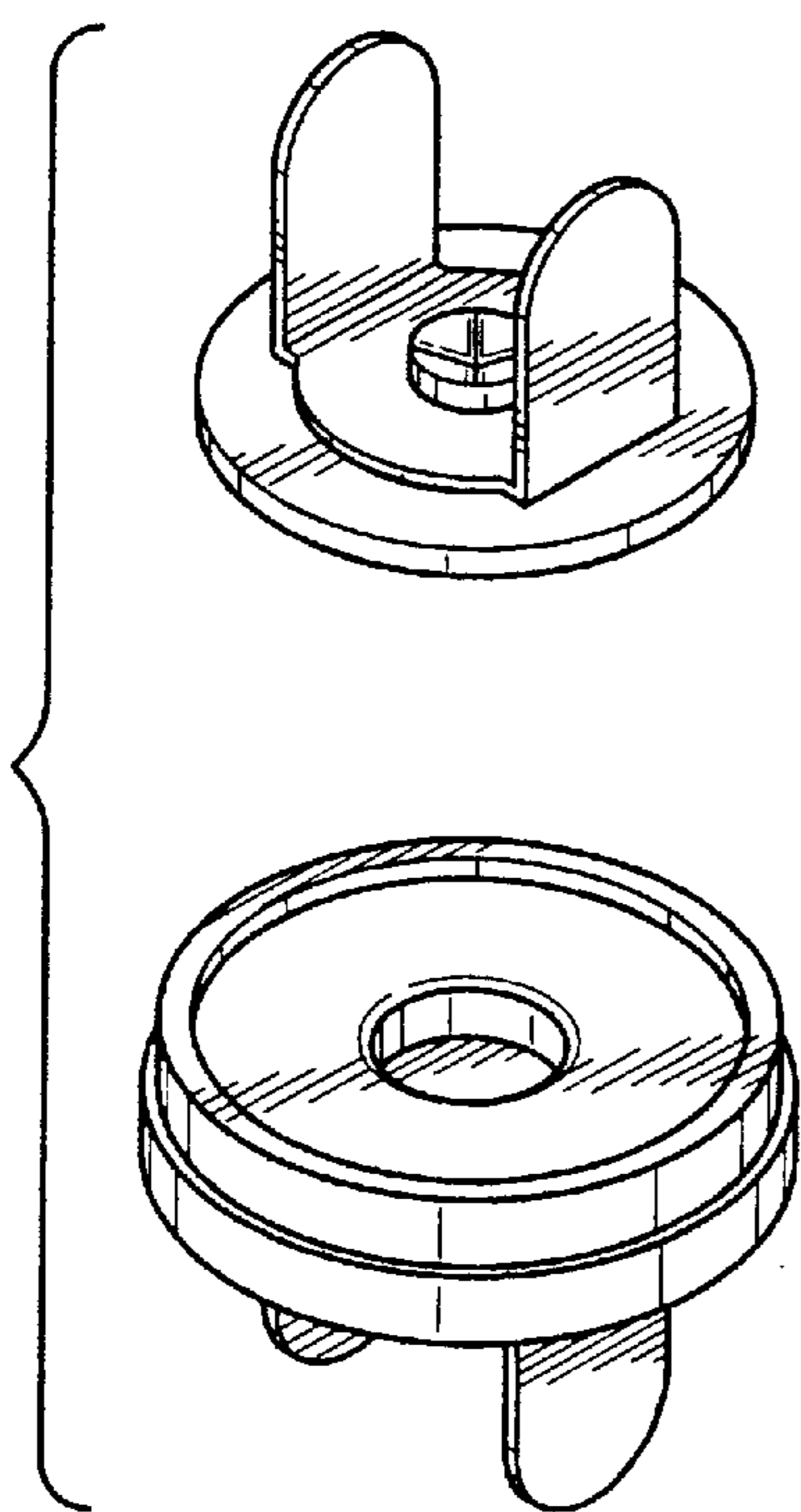


FIG. 2

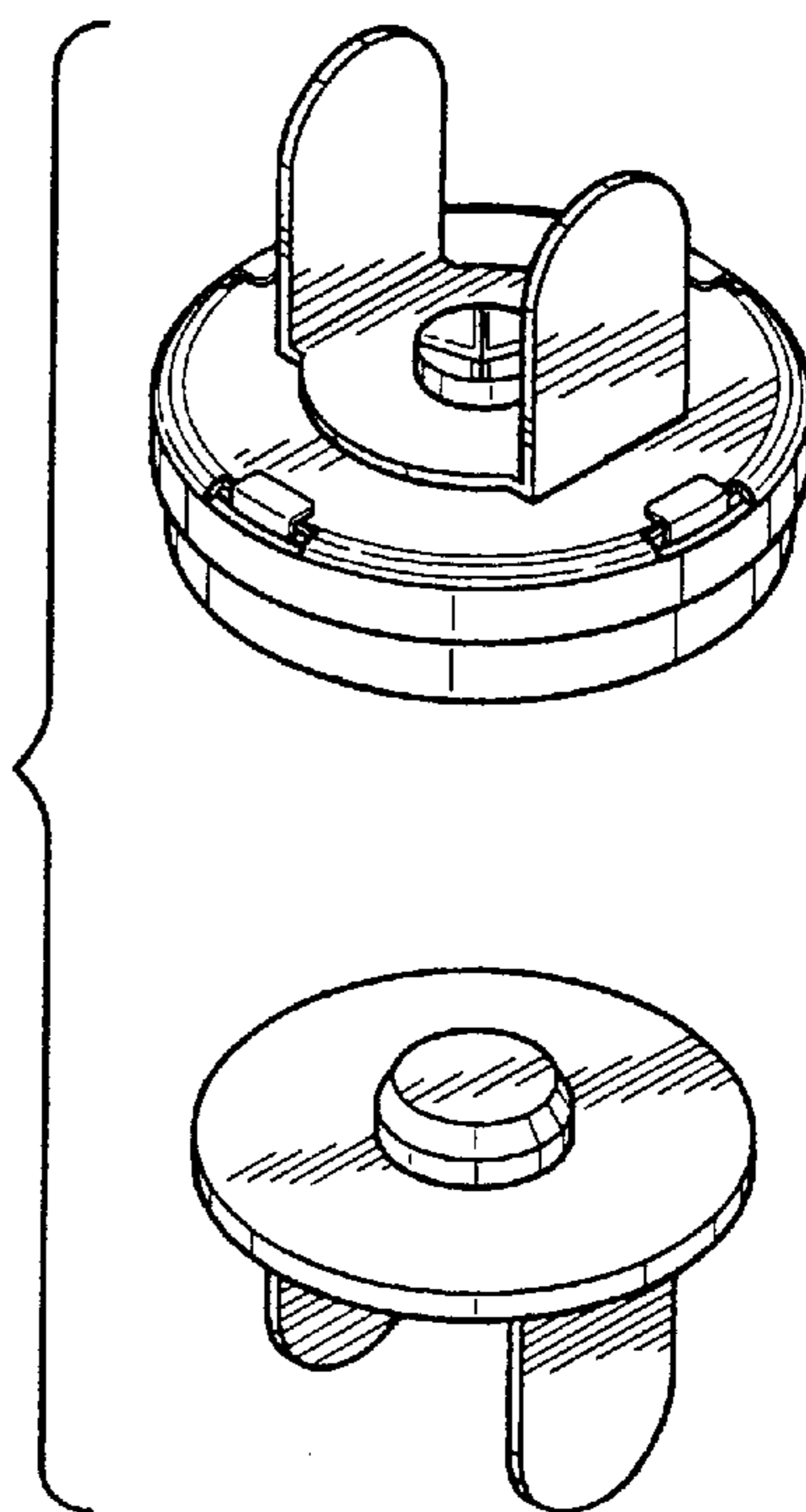


FIG. 4

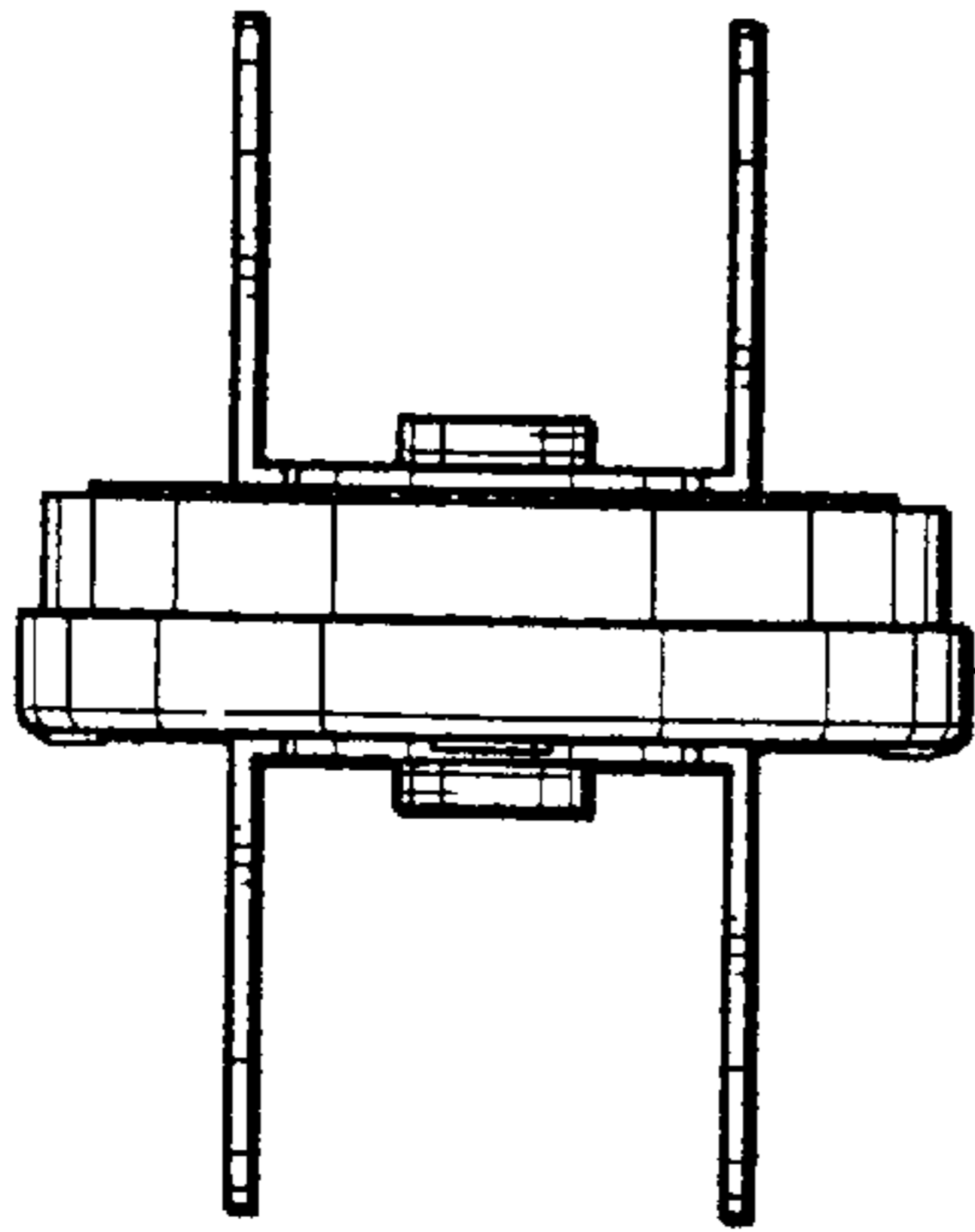


FIG. 5

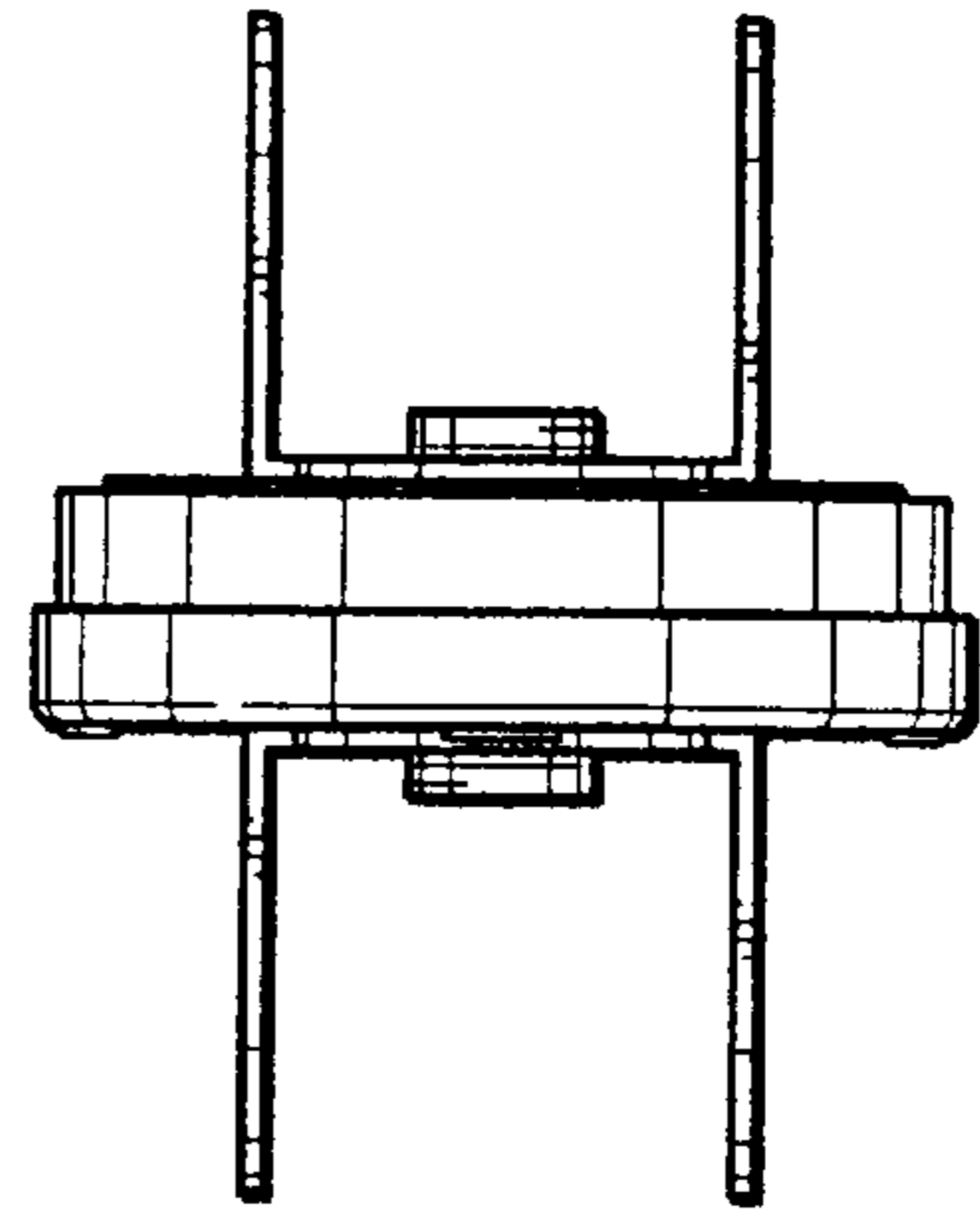


FIG. 6

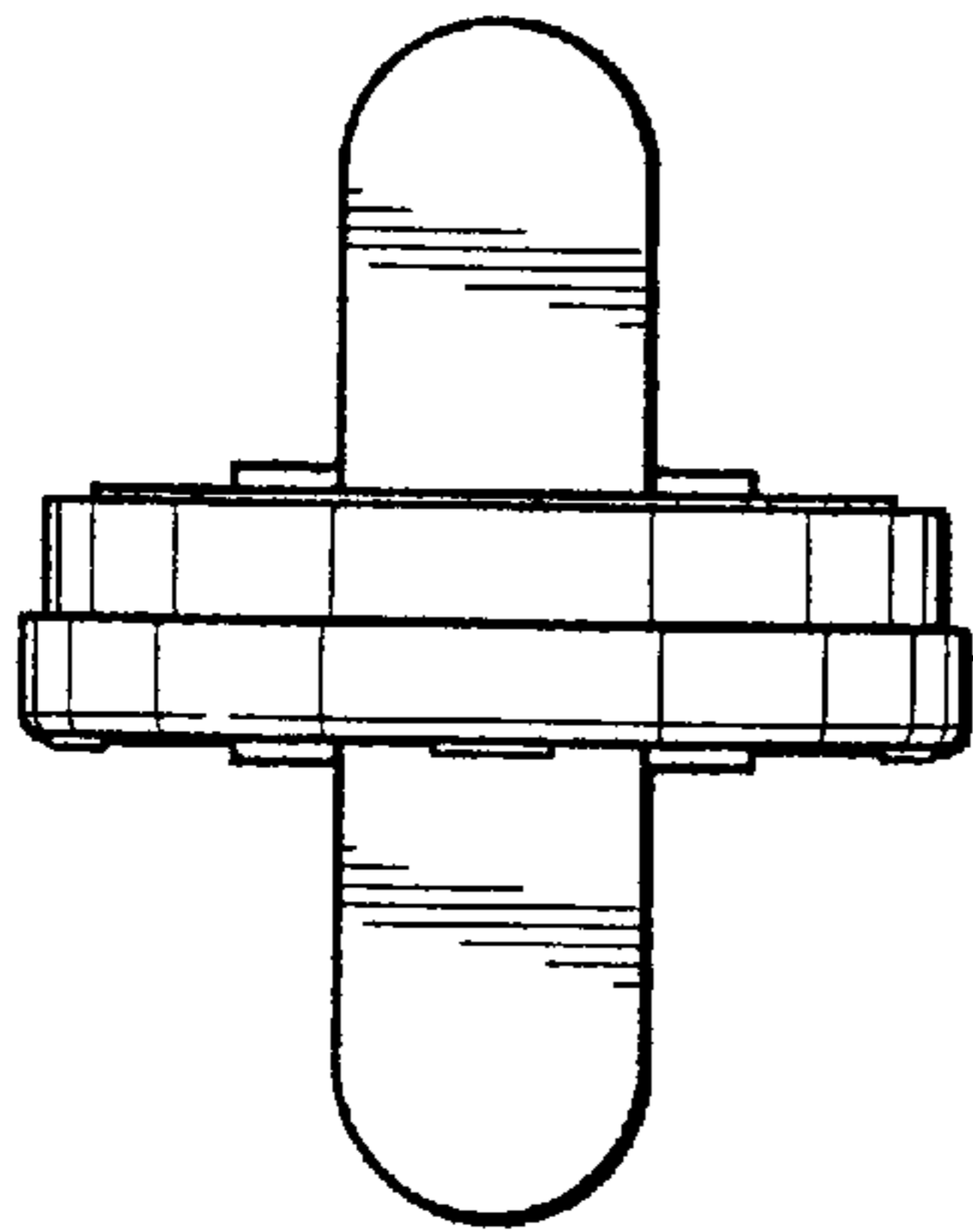


FIG. 7

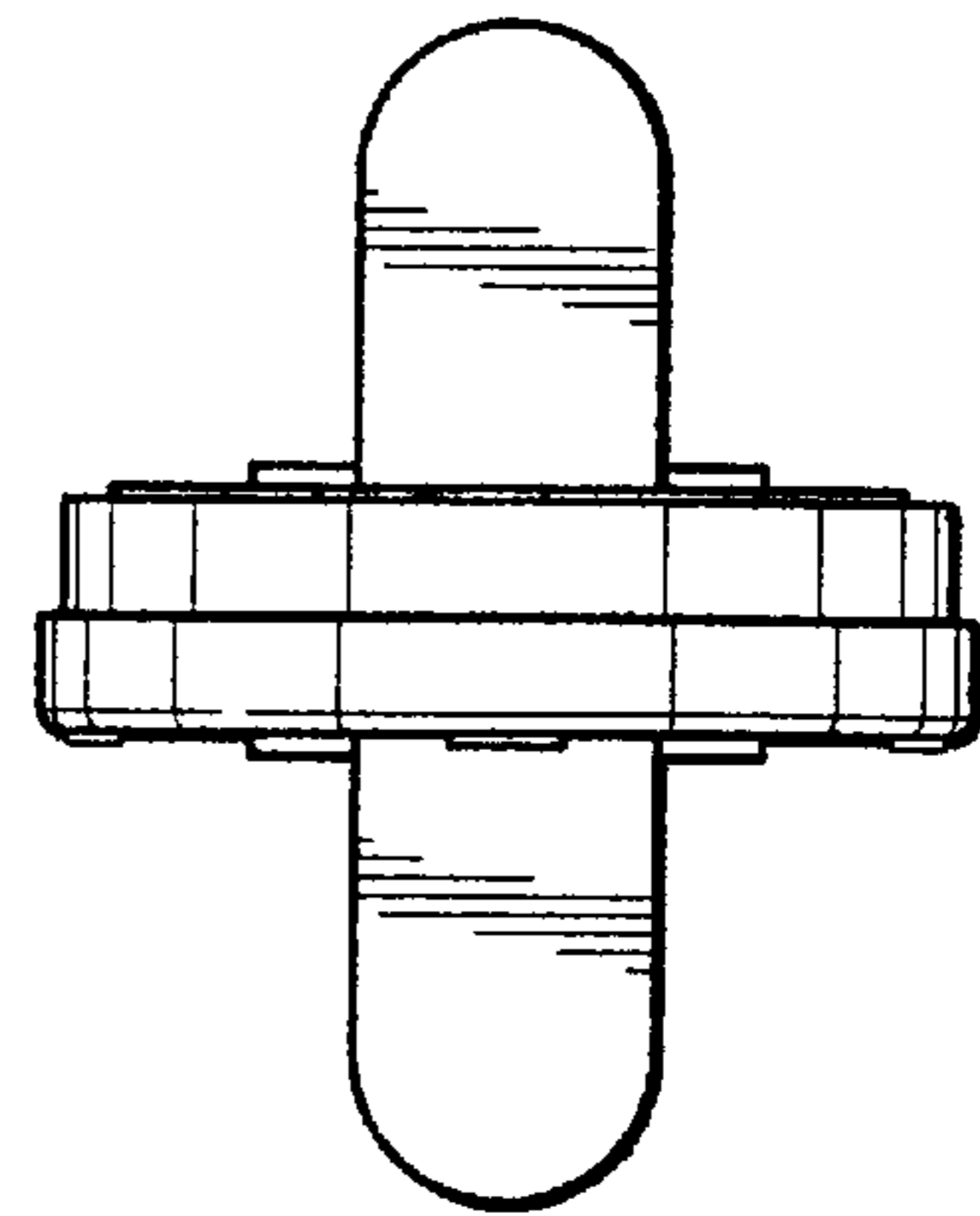


FIG. 8

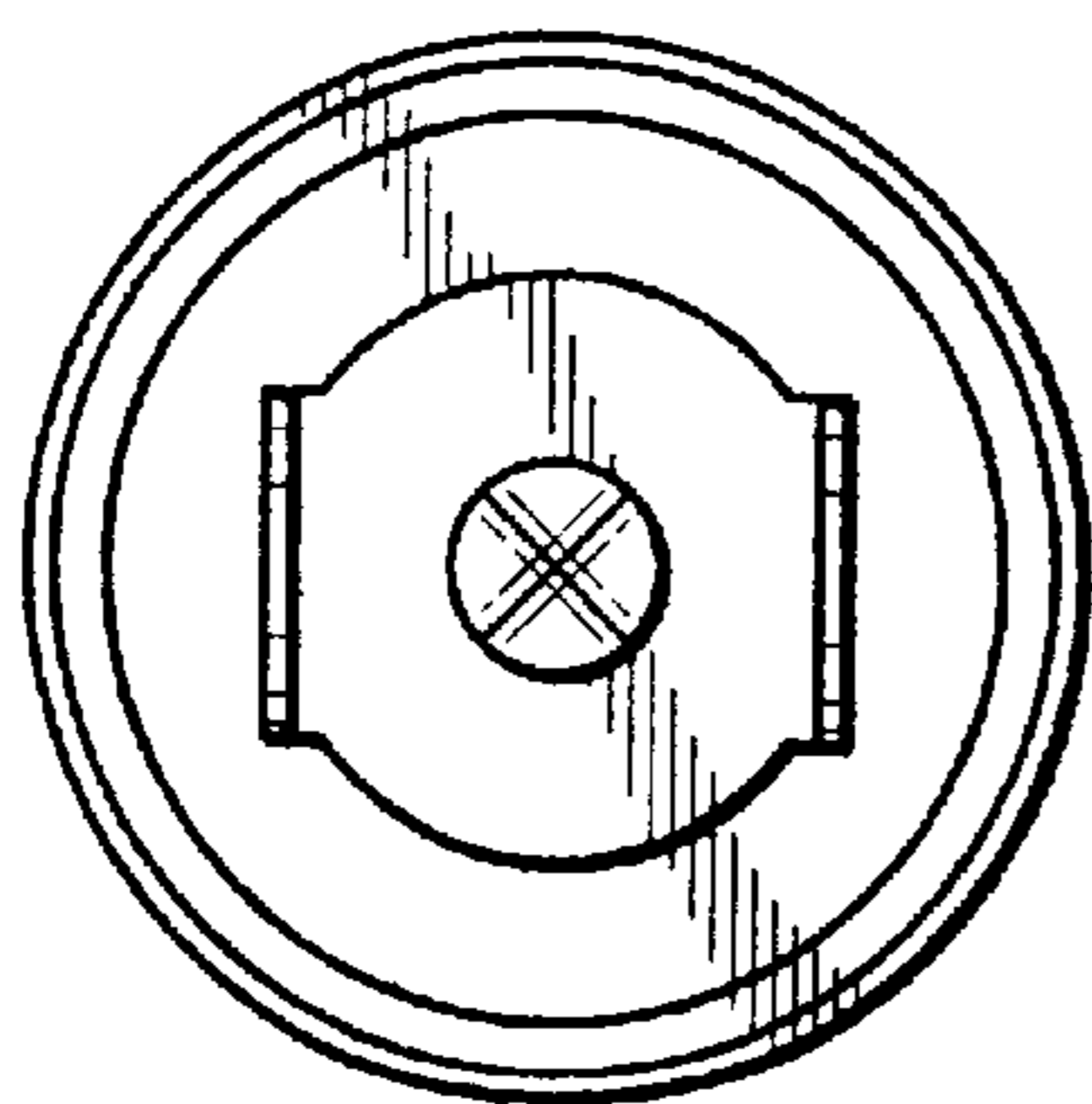


FIG. 9

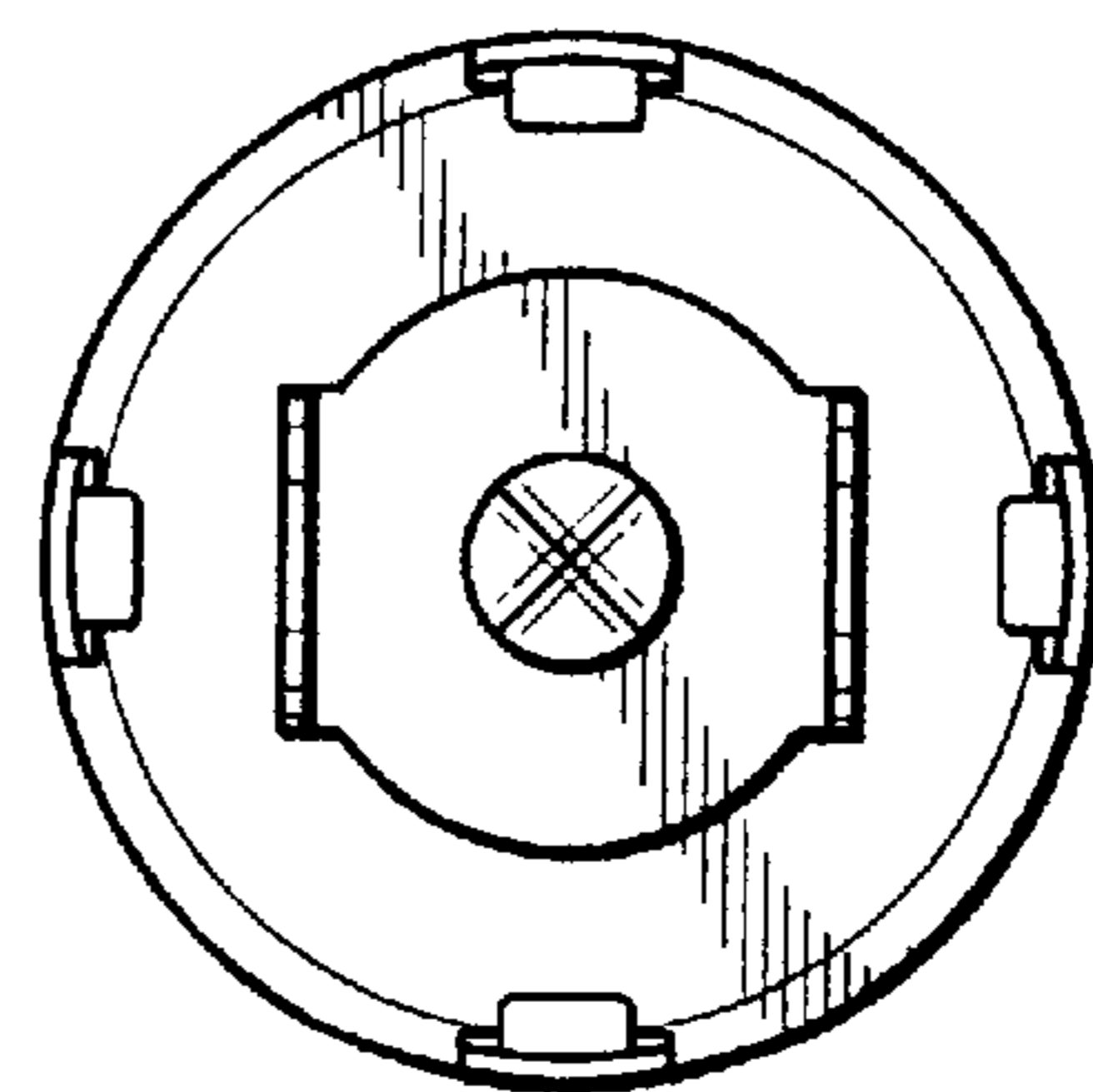


FIG. 10