



US00D401888S

United States Patent [19] Yang

[11] **Patent Number: Des. 401,888**

[45] **Date of Patent: **Dec. 1, 1998**

[54] **CHRISTMAS TREE WATER BALL BOTTLE**

[75] Inventor: **Shin-Ya Yang**, Hsin Tien, Taiwan

[73] Assignee: **Ya Yung Enterprise Co., Ltd.**, Taipei Hsien, Taiwan

[**] Term: **14 Years**

[21] Appl. No.: **79,324**

[22] Filed: **Nov. 12, 1997**

[51] **LOC (6) Cl.** **11-02**

[52] **U.S. Cl.** **D11/164; D6/472**

[58] **Field of Search** D9/312, 521; D11/117, D11/121, 131, 157, 164; D6/470, 472; 40/409, 410; 428/11, 13

[56] **References Cited**

U.S. PATENT DOCUMENTS

- D. 332,394 1/1993 Leonard et al. D9/312
- D. 343,780 2/1994 Addante D9/521
- D. 357,645 4/1995 Wang D11/164

- 5,258,209 11/1993 Bankert et al. 428/11
- 5,620,353 4/1997 Lai 40/410 X
- 5,655,321 8/1997 Chang 40/409
- 5,705,759 1/1998 DeVivo 40/410 X

Primary Examiner—Dominic Simone
Attorney, Agent, or Firm—Pro-Techtor International Services

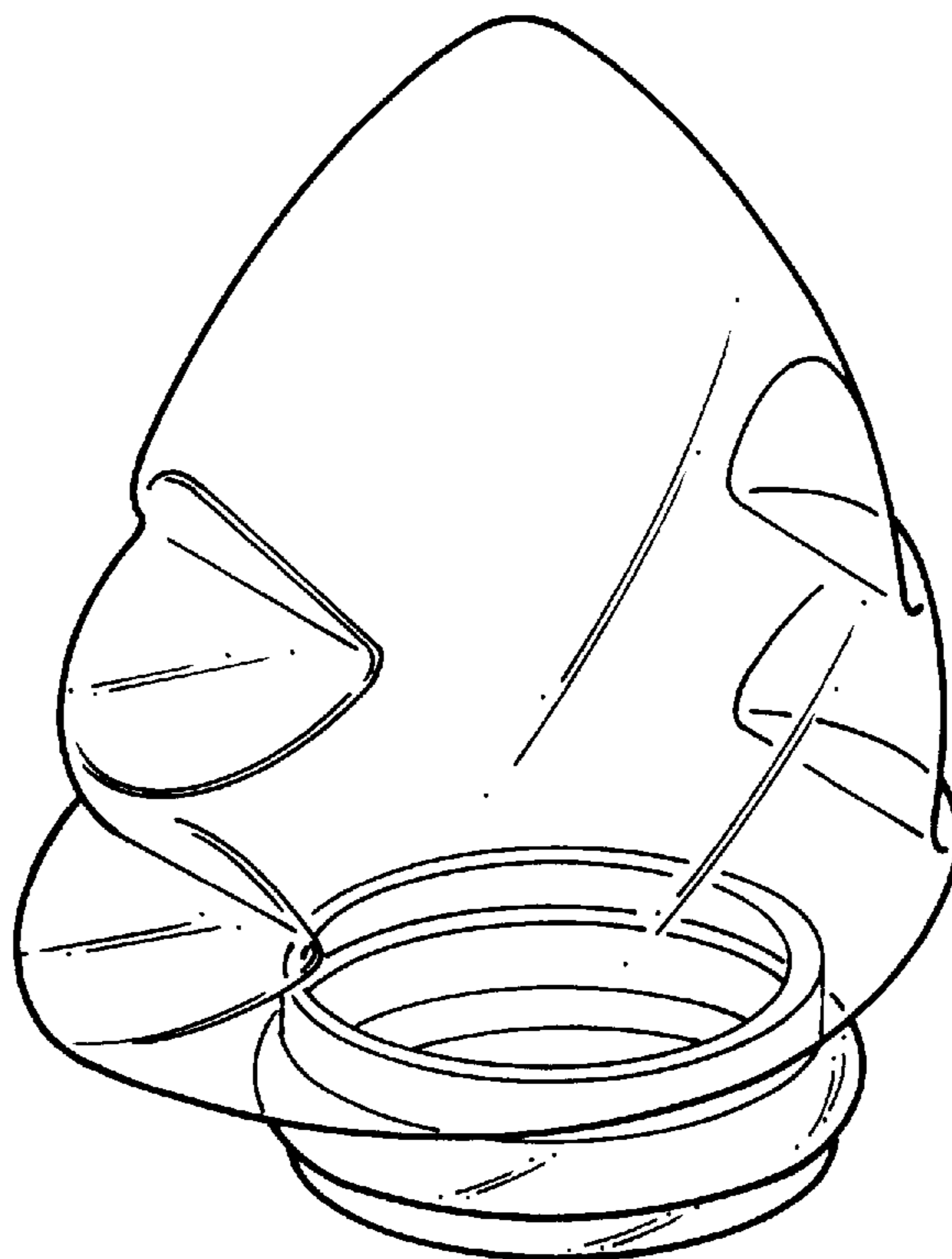
[57] **CLAIM**

The ornamental design for Christmas tree water ball bottle, as shown and described.

DESCRIPTION

FIG. 1 is a perspective view of Christmas tree water ball bottle showing my new design;
FIG. 2 is a front elevational view thereof;
FIG. 3 is a rear elevational view thereof;
FIG. 4 is a top plan view thereof;
FIG. 5 is a bottom plan view thereof;
FIG. 6 is a left side elevational view thereof; and,
FIG. 7 is a right side elevational view thereof.

1 Claim, 7 Drawing Sheets



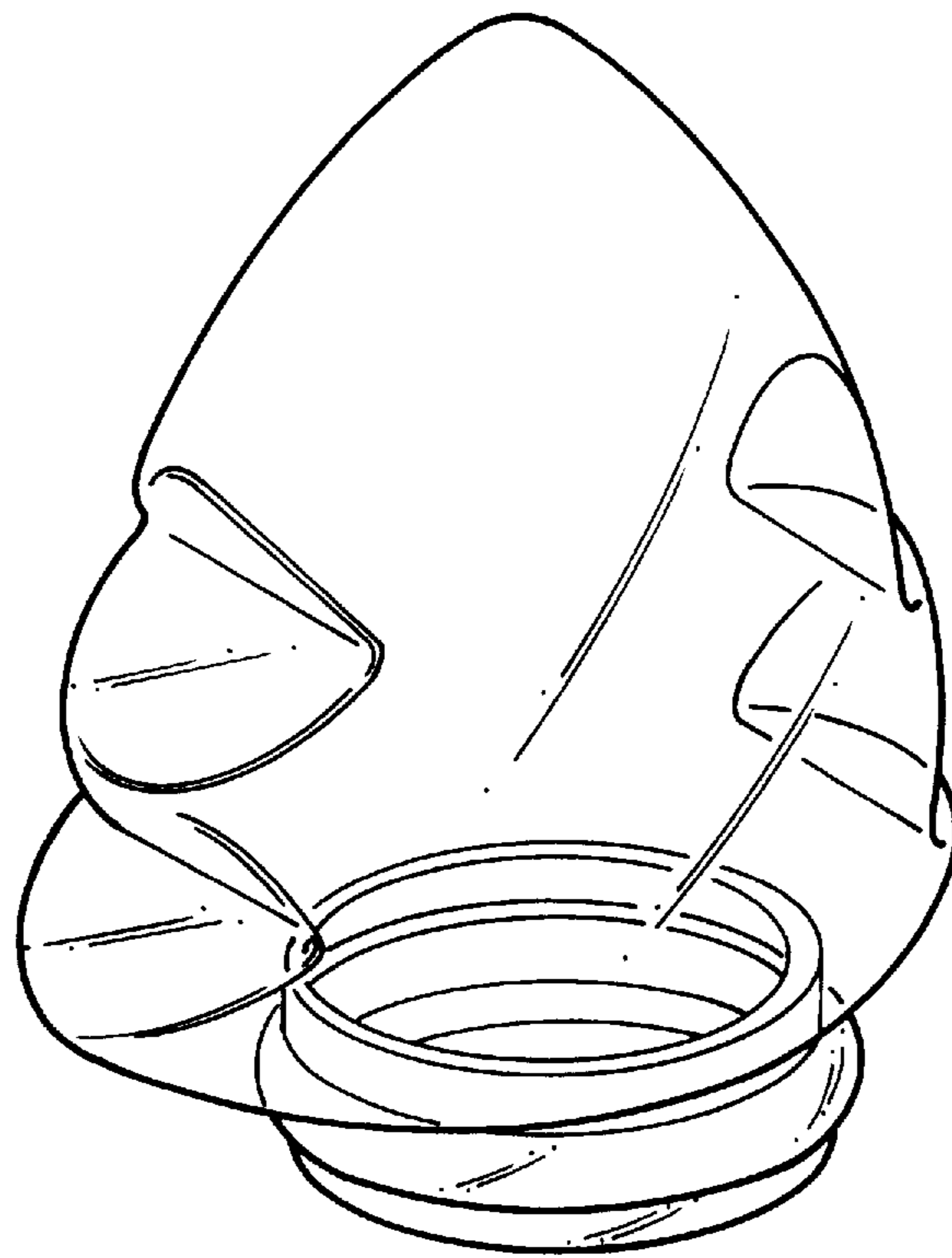


FIG. 1

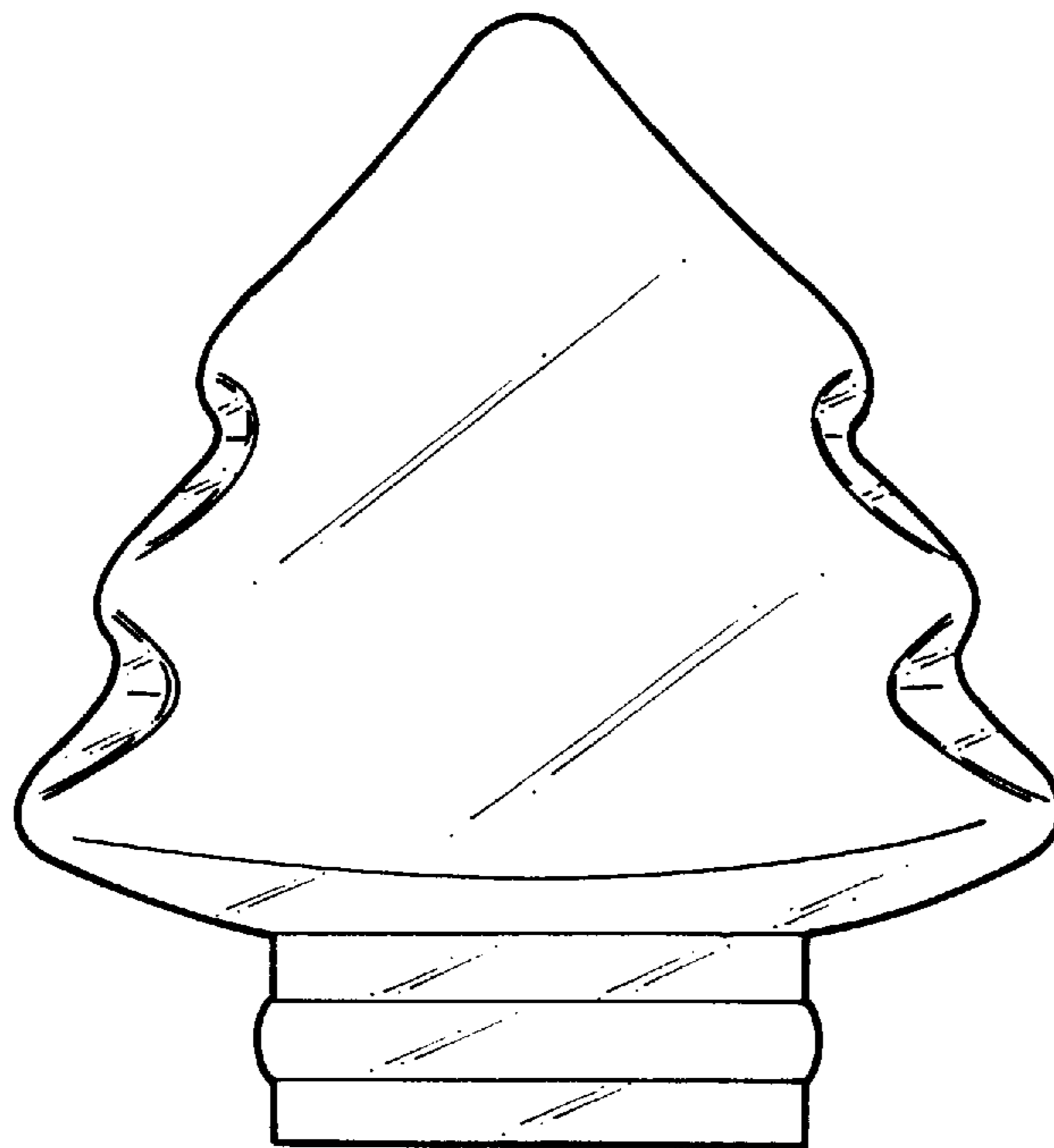


FIG.2

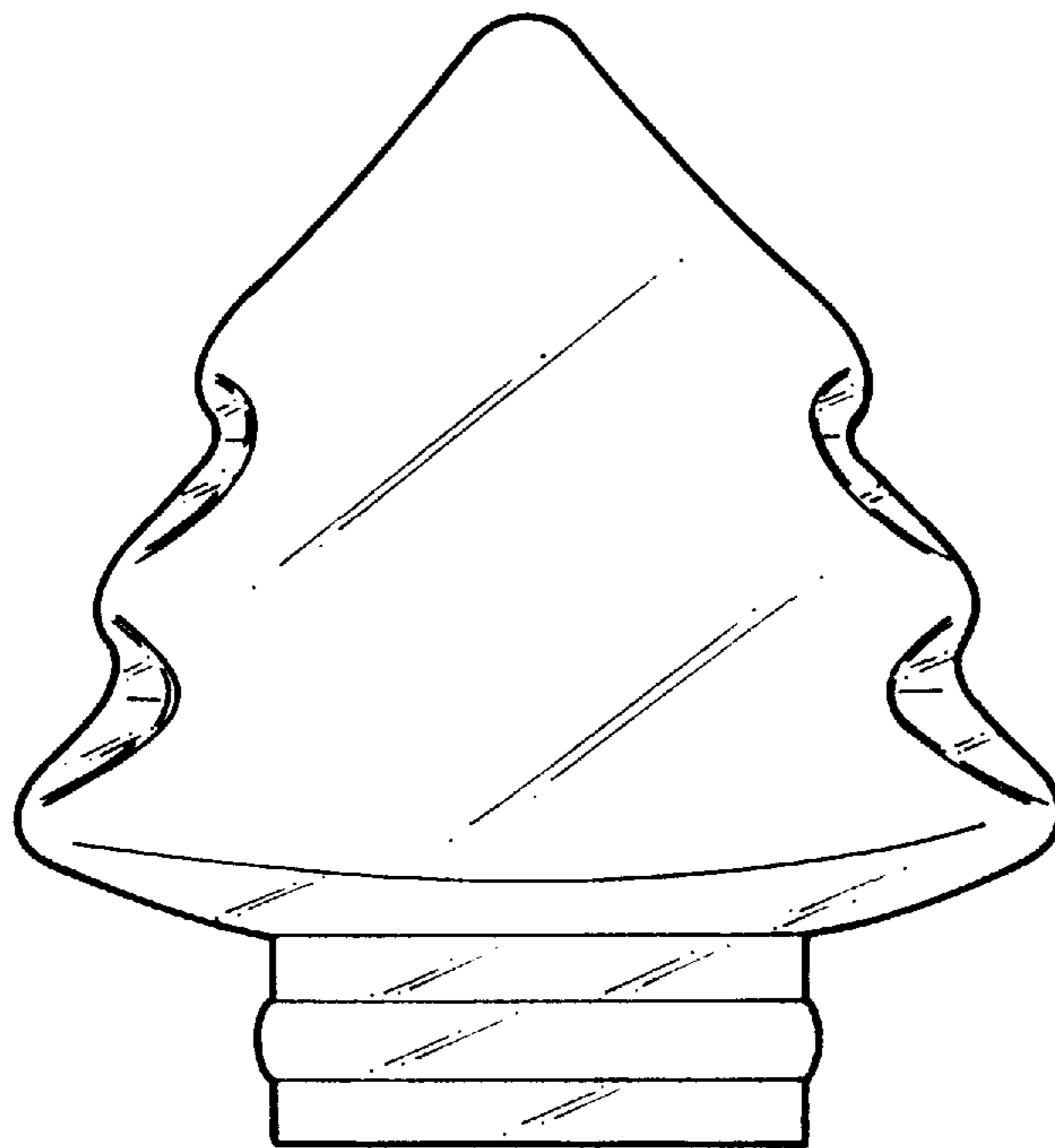


FIG.3

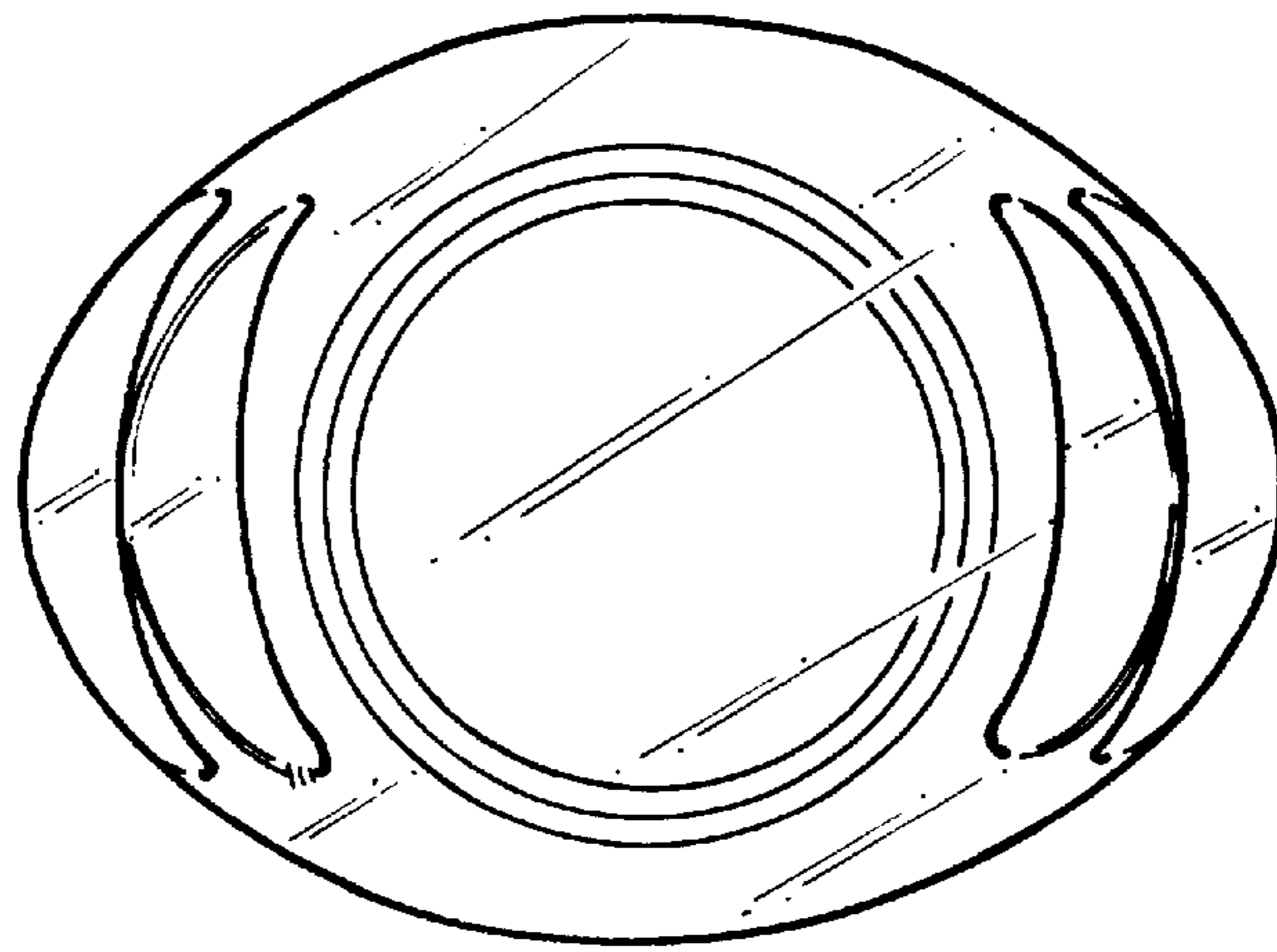


FIG.4

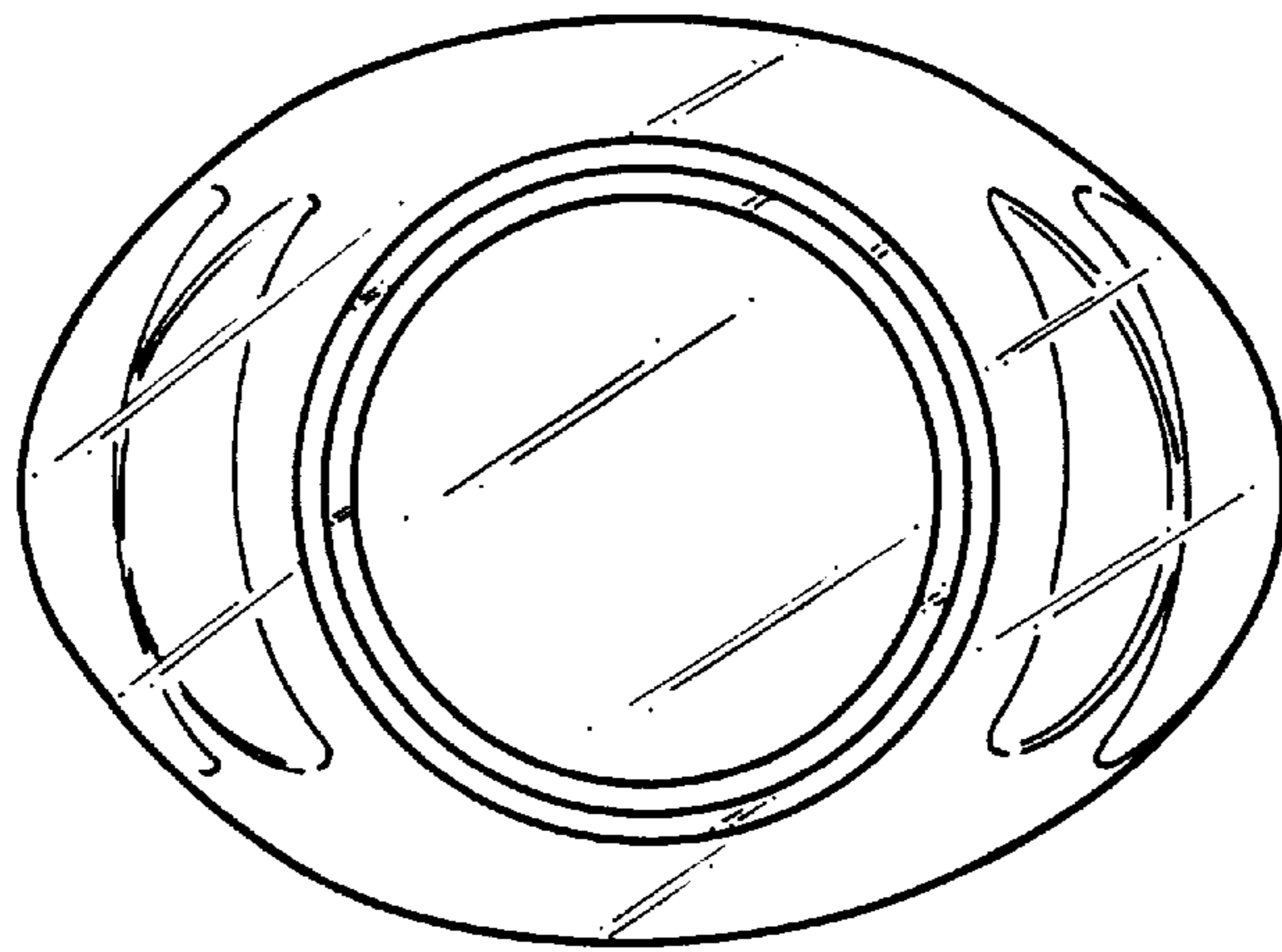


FIG. 5

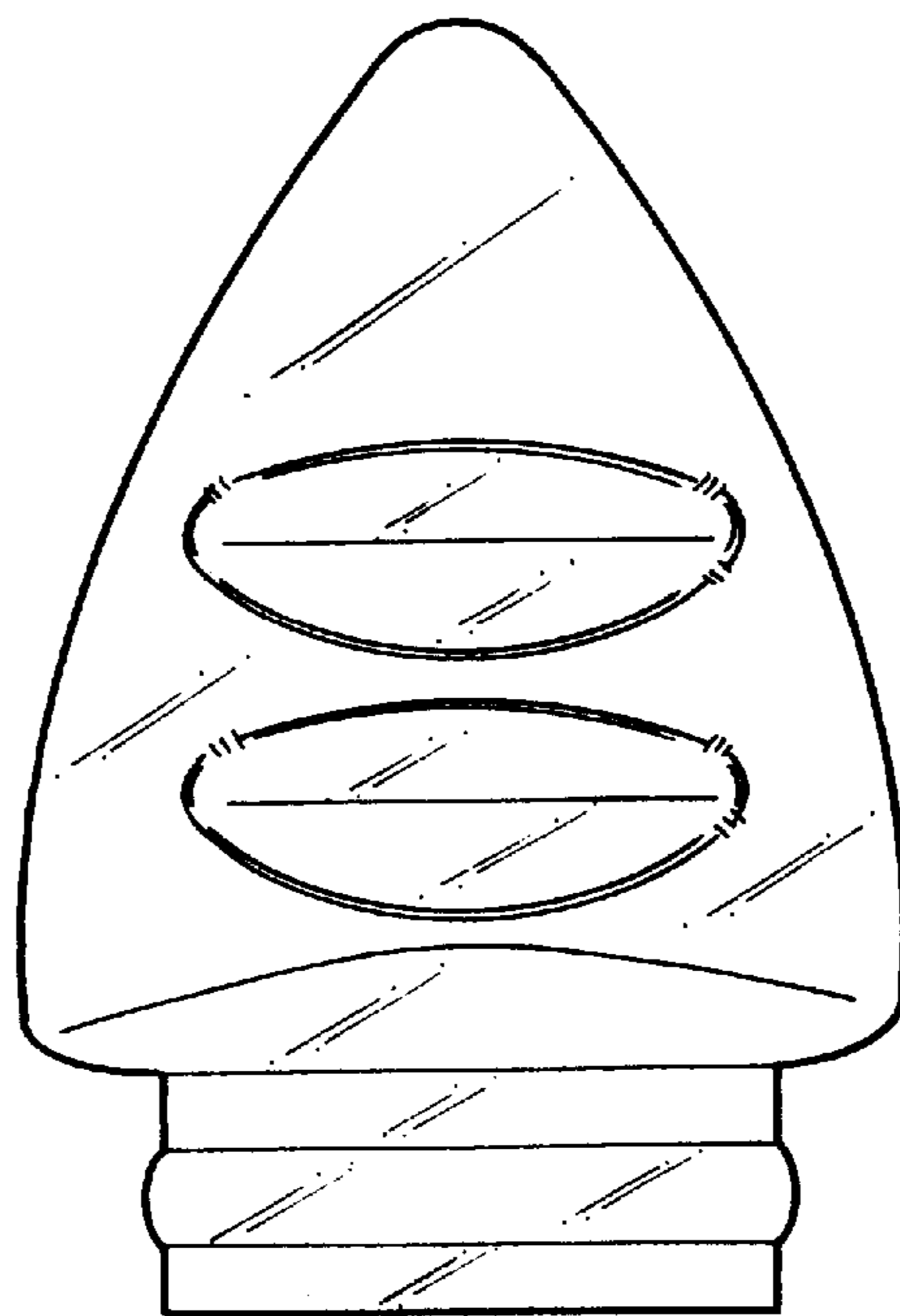


FIG. 6

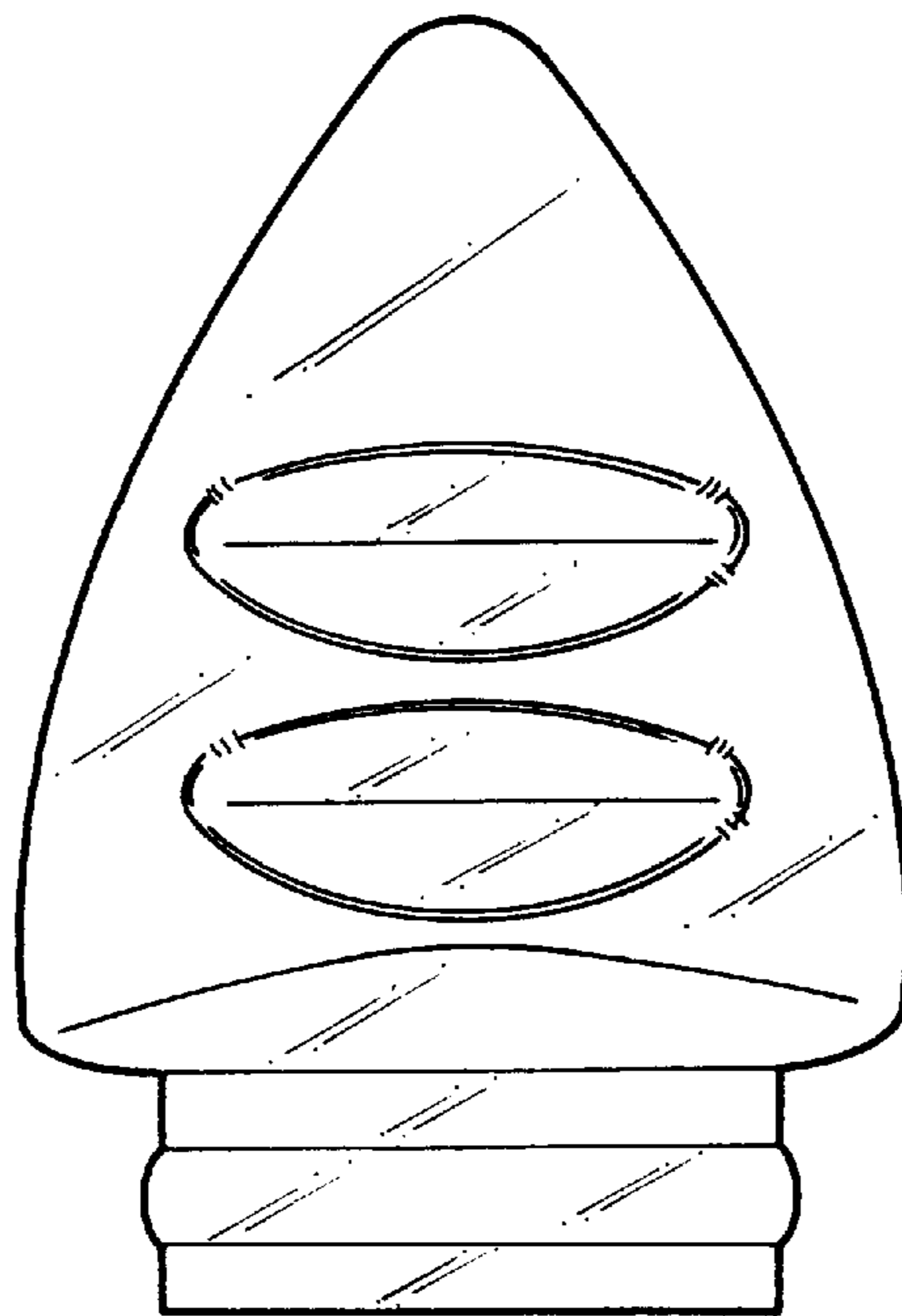


FIG. 7