



US00D401883S

**United States Patent** [19]  
**Madhvani**

[11] **Patent Number: Des. 401,883**

[45] **Date of Patent: \*\*Dec. 1, 1998**

[54] **PENDANT**

[75] Inventor: **Yogesh Madhvani**, Scarsdale, N.Y.

[73] Assignee: **Simplex Diam Inc.**, New York, N.Y.

[\*\*] Term: **14 Years**

[21] Appl. No.: **73,225**

[22] Filed: **Jun. 20, 1997**

[51] **LOC (6) Cl.** ..... **11-01**

[52] **U.S. Cl.** ..... **D11/81**

[58] **Field of Search** ..... D11/1-2, 40, 43-45,  
D11/47-49, 53-56, 75, 79-86, 99-103;  
63/1.1, 2, 18-20

[56] **References Cited**

**U.S. PATENT DOCUMENTS**

D. 186,946 12/1959 Schuessler ..... D11/81  
D. 220,701 5/1971 Honzik ..... D11/81  
D. 238,811 2/1976 Ziglar ..... D11/48

D. 281,959 12/1985 Balbuena ..... D11/81  
D. 299,579 1/1989 Jones ..... D11/96  
D. 329,402 9/1992 Zears ..... D11/81  
D. 373,970 9/1996 Gonzalez et al. .... D11/96

*Primary Examiner*—Ralf Seifert

*Attorney, Agent, or Firm*—Thomas I. Rozsa; Tony D. Chen

[57] **CLAIM**

The ornamental design for a pendant, as shown and described.

**DESCRIPTION**

FIG. 1 is a perspective view of the pendant, showing my new design;

FIG. 2 is a front elevational view;

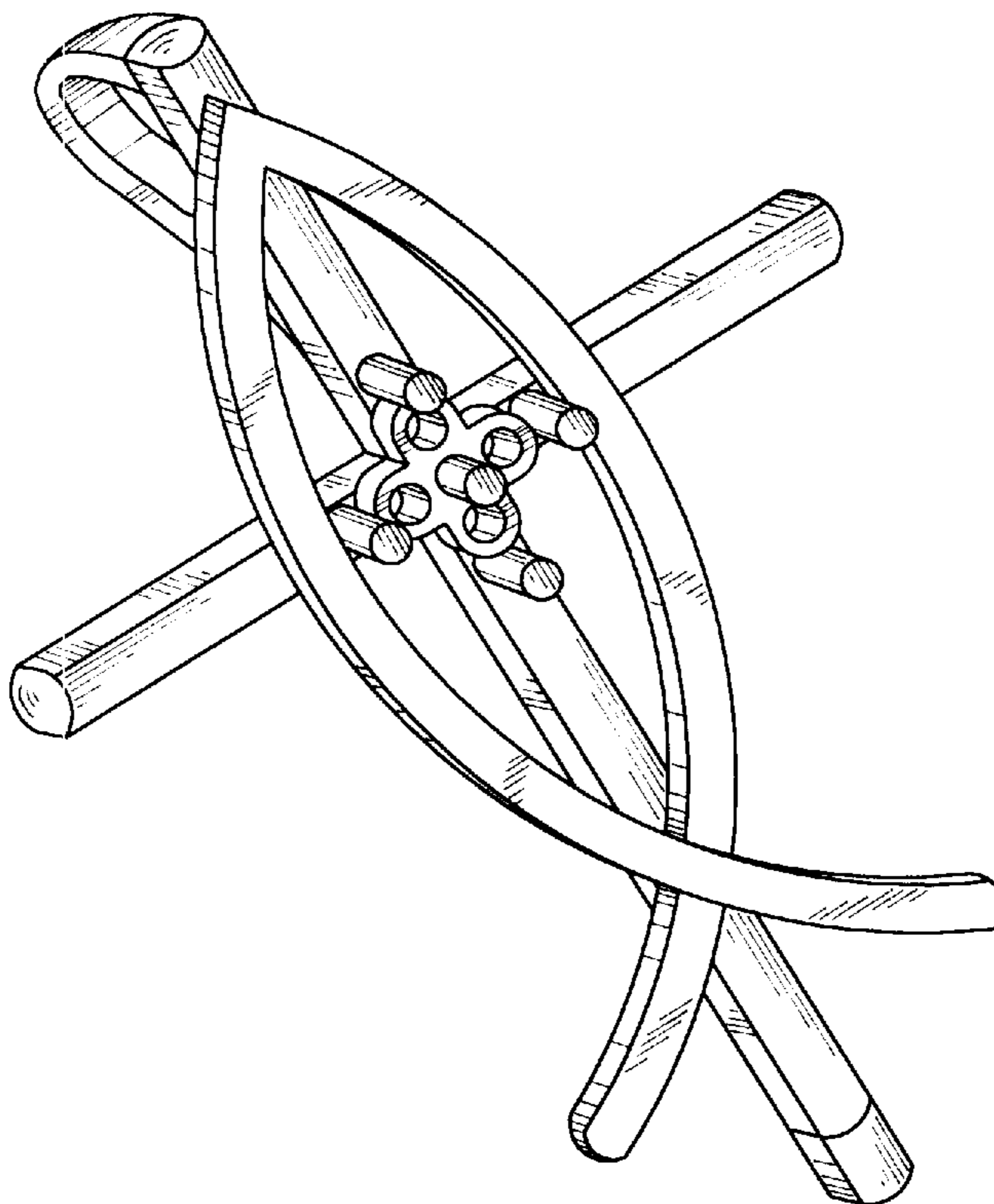
FIG. 3 is a rear elevational view;

FIG. 4 is a side elevational view, the other side being a mirror image;

FIG. 5 is a top plan view; and,

FIG. 6 is a bottom plan view.

**1 Claim, 1 Drawing Sheet**



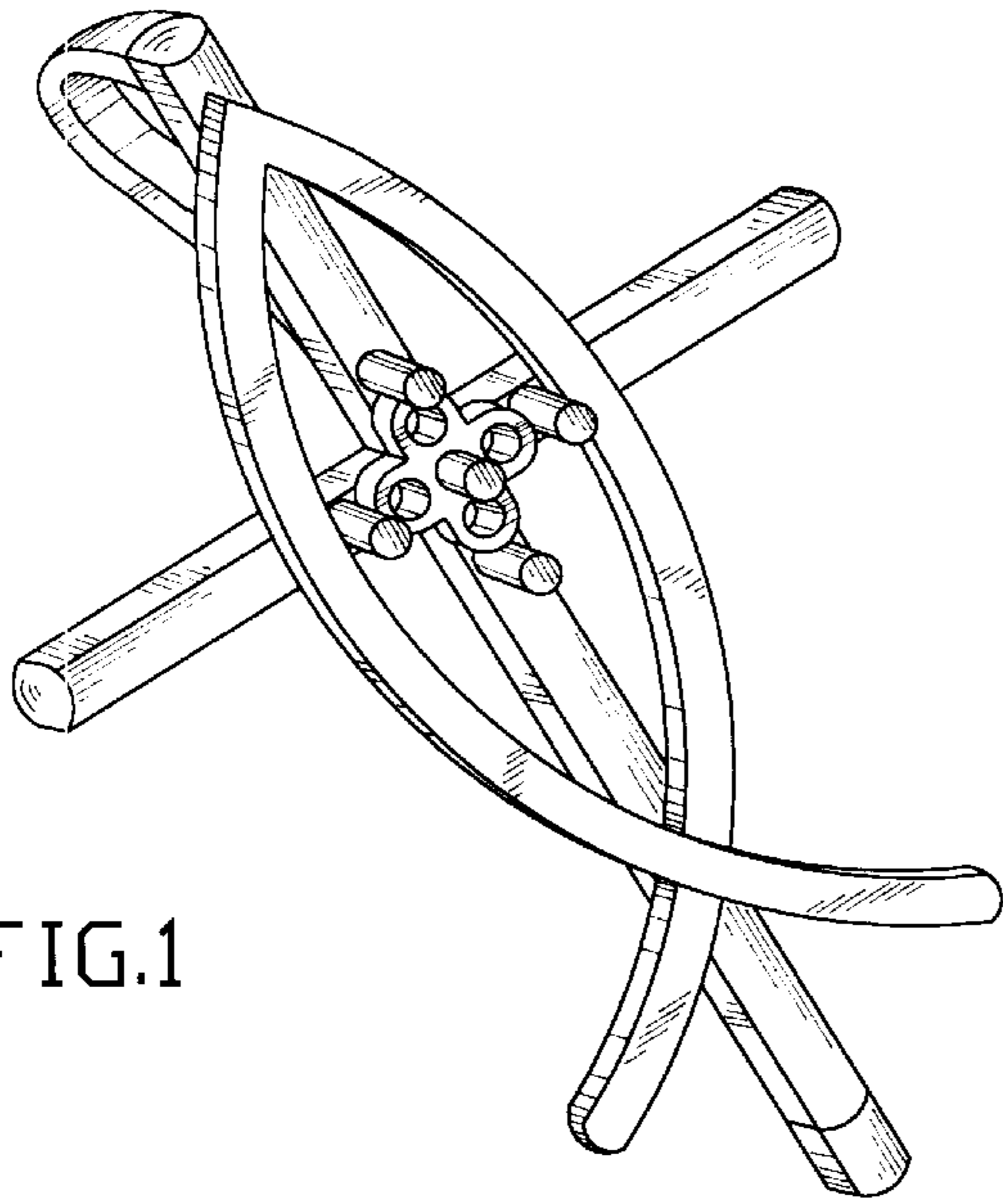


FIG.1

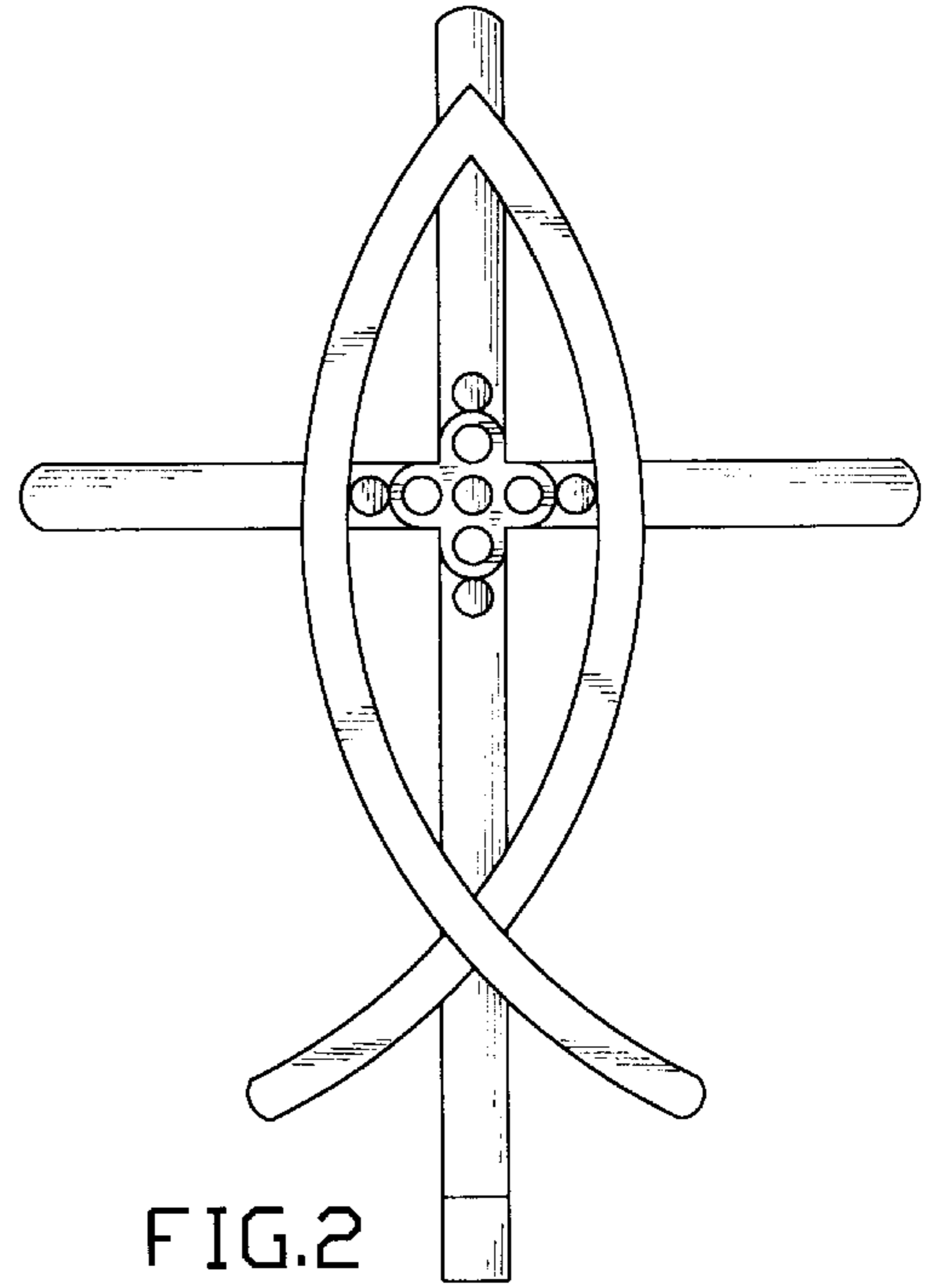


FIG.2

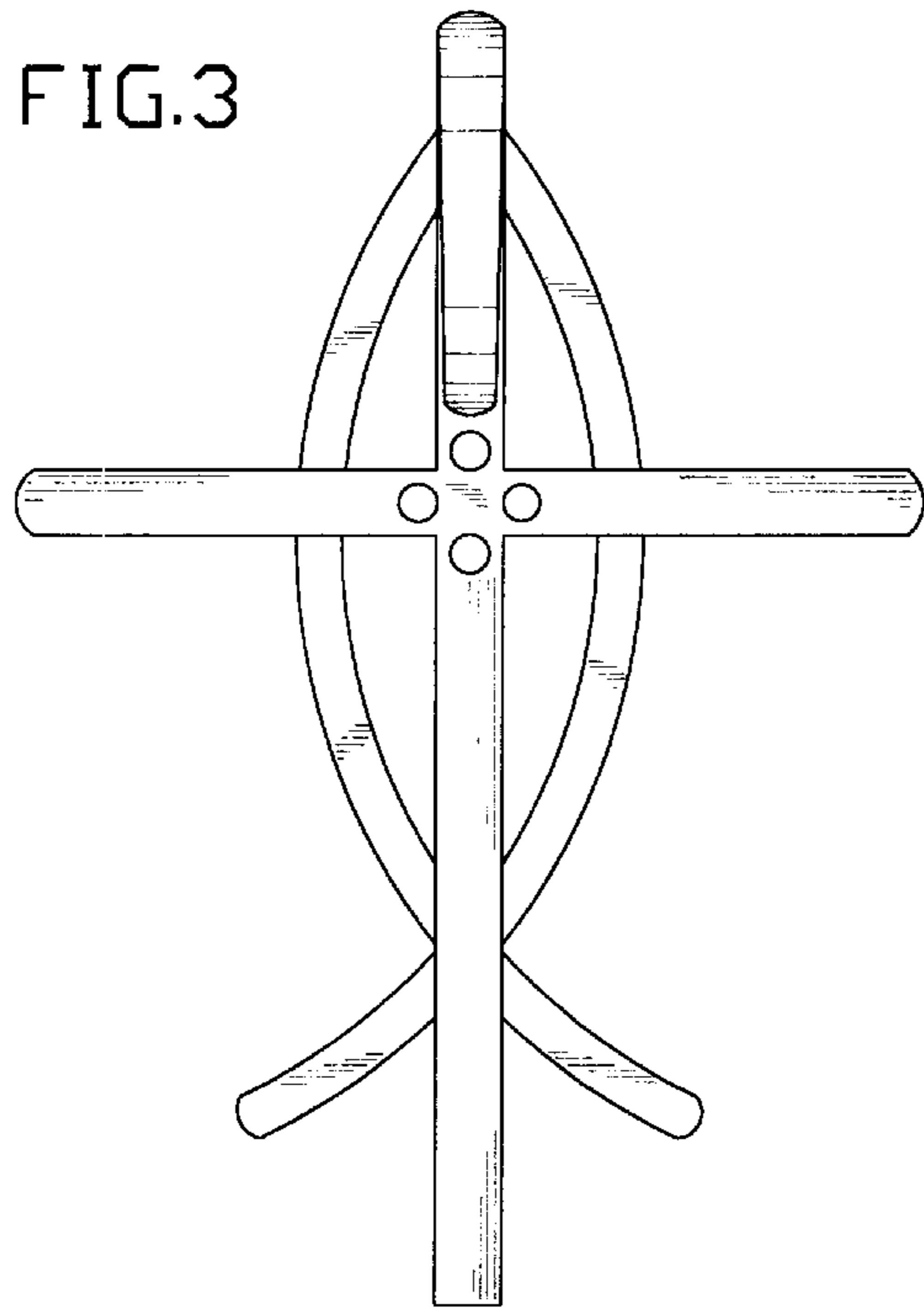


FIG.3

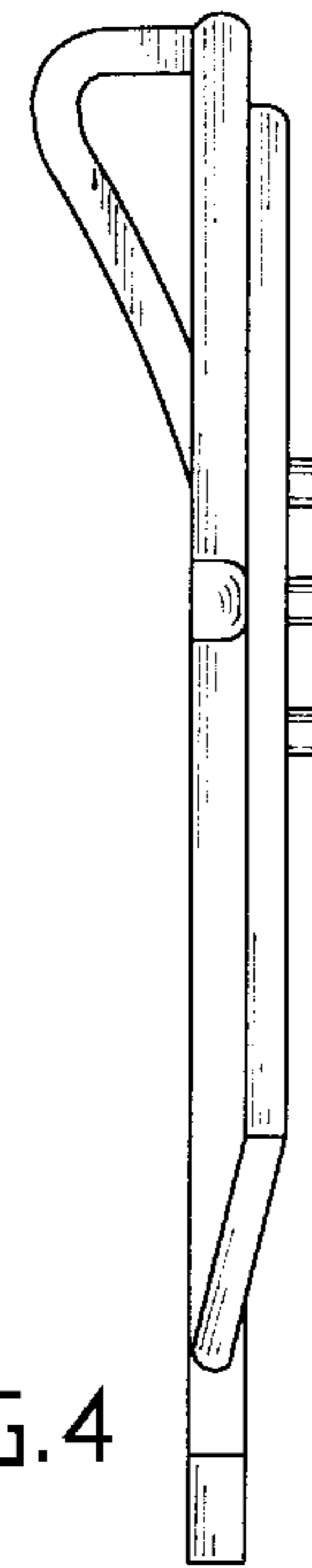


FIG.4

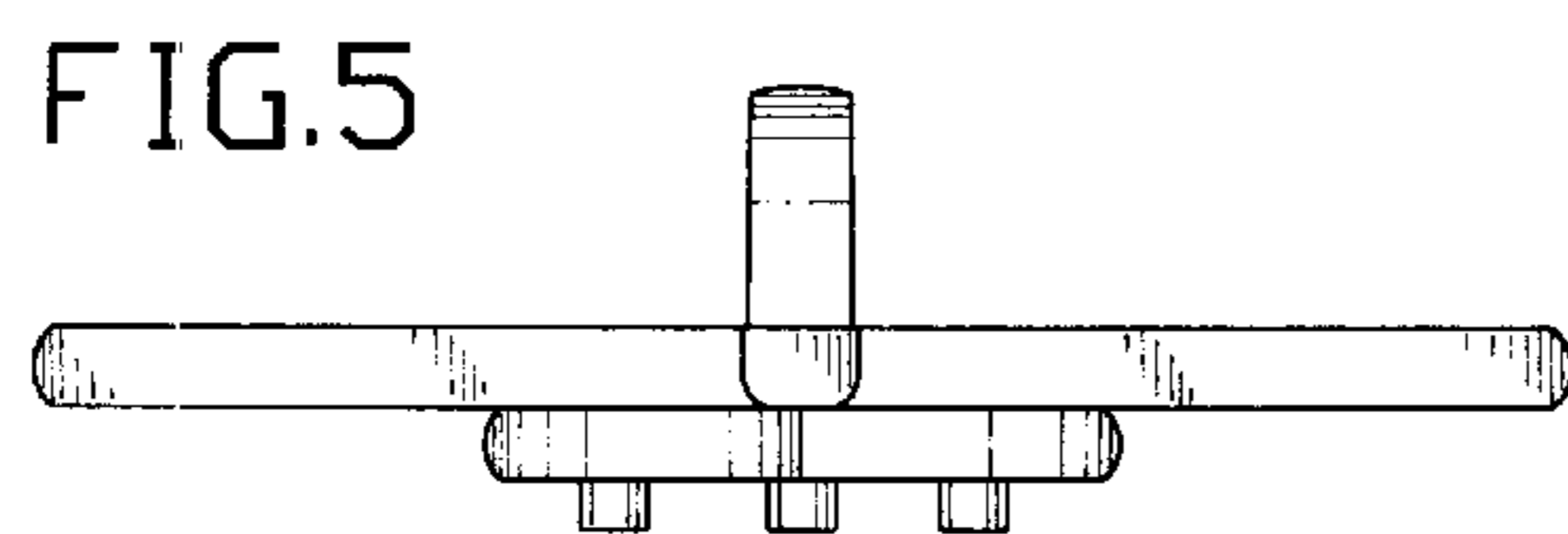


FIG.5

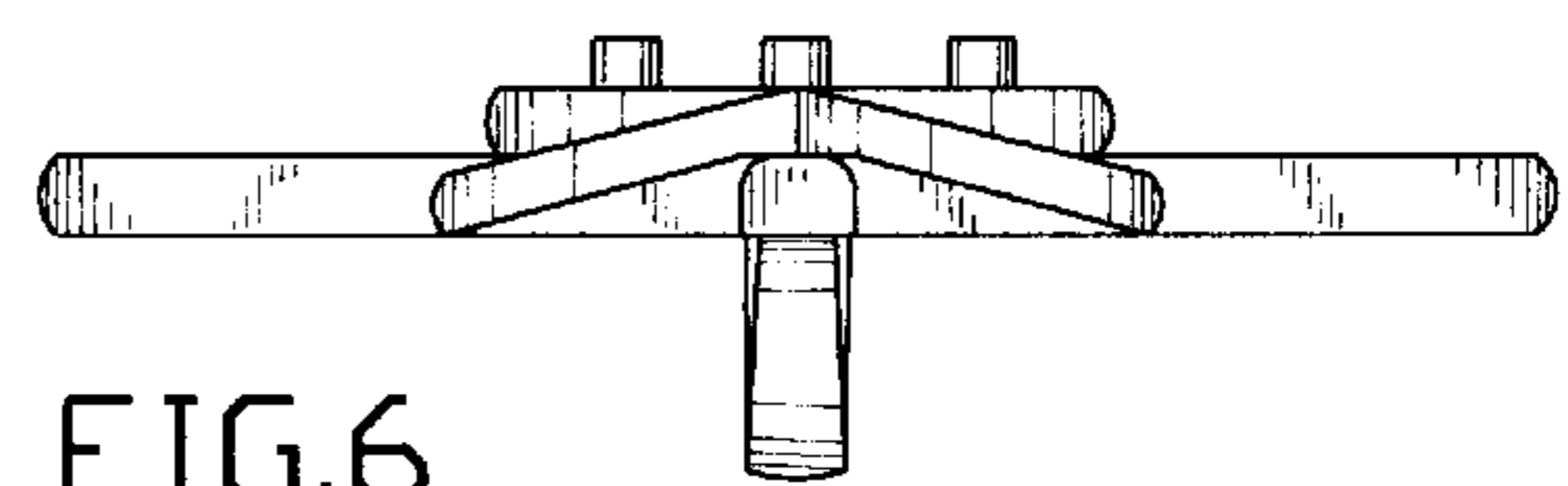


FIG.6