



US00D401880S

United States Patent [19] Howard

[11] **Patent Number: Des. 401,880**

[45] **Date of Patent: **Dec. 1, 1998**

[54] **TURNING INDICATOR LIGHTS**

[76] Inventor: **Geraldine Smith Howard**, 602 Emmanuel Ct., Washington, D.C. 20001

[**] Term: **14 Years**

[21] Appl. No.: **59,009**

[22] Filed: **Aug. 30, 1996**

[51] **LOC (6) Cl. 10-05**

[52] **U.S. Cl. D10/114; D26/31**

[58] **Field of Search D26/28-36; D10/114, D10/115; 340/107, 108, 110, 127, 138; 362/61**

[56] **References Cited**

U.S. PATENT DOCUMENTS

| | | | | |
|-----------|---------|------------------|-------|--------|
| 49,299 | 7/1865 | Esenberg | | D26/31 |
| 58,239 | 6/1866 | Journeaux et al. | | D26/31 |
| D. 65,292 | 7/1924 | Meyer | | D26/31 |
| D. 68,581 | 10/1925 | Zonet | | D26/31 |
| D. 86,135 | 2/1932 | Nanna | | D26/31 |
| D. 87,127 | 6/1932 | Park | | D26/31 |
| D. 87,590 | 8/1932 | Monaco | | D26/31 |

| | | | | |
|------------|---------|--------------|-------|---------|
| D. 90,779 | 9/1933 | Metzger | | D26/31 |
| D. 106,669 | 10/1937 | Huff | | D26/31 |
| D. 284,515 | 7/1986 | Beard et al. | | D10/114 |

Primary Examiner—Marcus A. Jackson

[57] **CLAIM**

The ornamental design for turning indicator lights, as shown and described.

DESCRIPTION

FIG. 1 is a front plan view of the turning indicator lights of the present invention;
 FIG. 2 is a rear plan view of the turning indicator lights of FIG. 1;
 FIG. 3 is a left side plan view of the turning indicator lights of FIG. 1;
 FIG. 4 is a right side plan view of the turning indicator lights of FIG. 1;
 FIG. 5 is a top plan view of the turning indicator lights of FIG. 1; and,
 FIG. 6 is a bottom plan view of the turning indicator lights of FIG. 1.

1 Claim, 3 Drawing Sheets

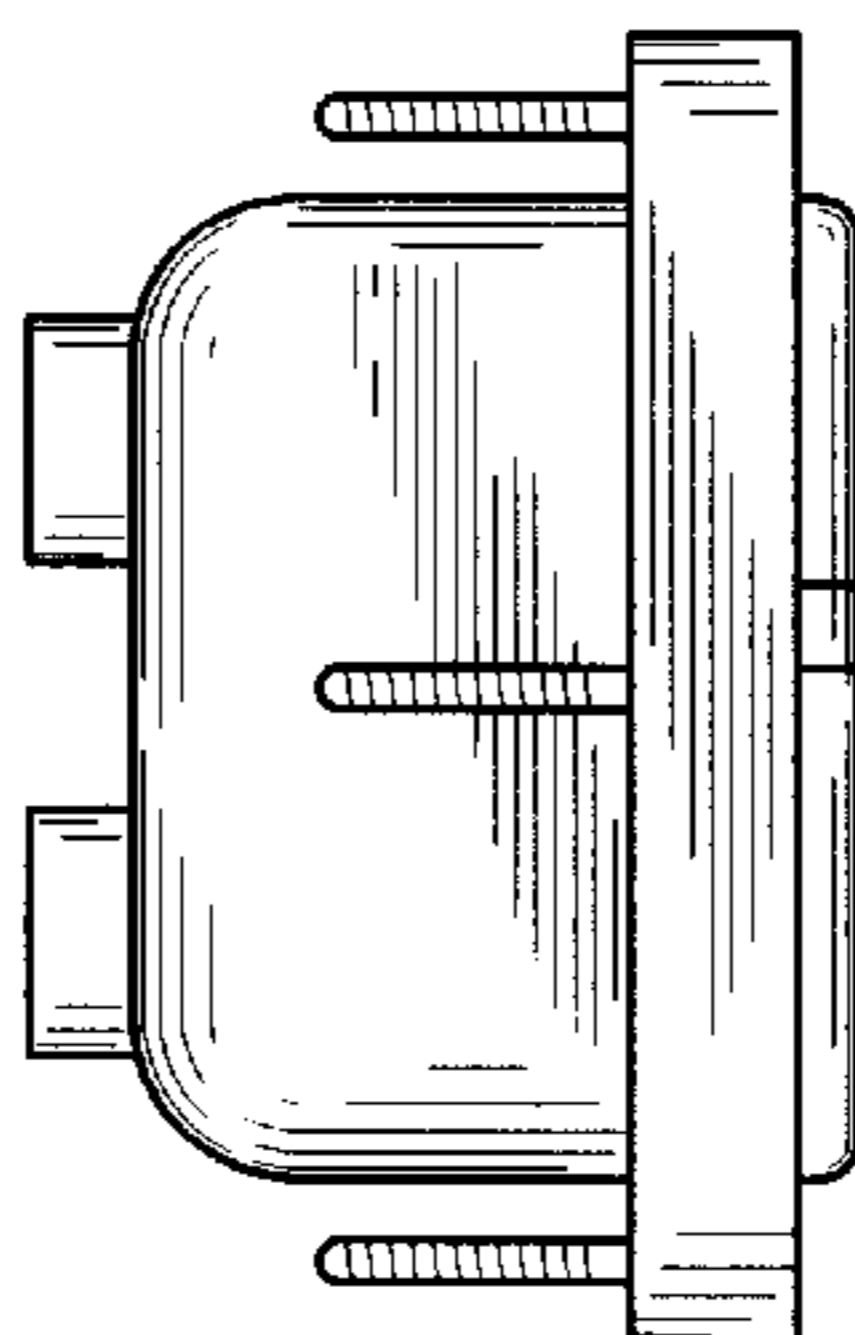
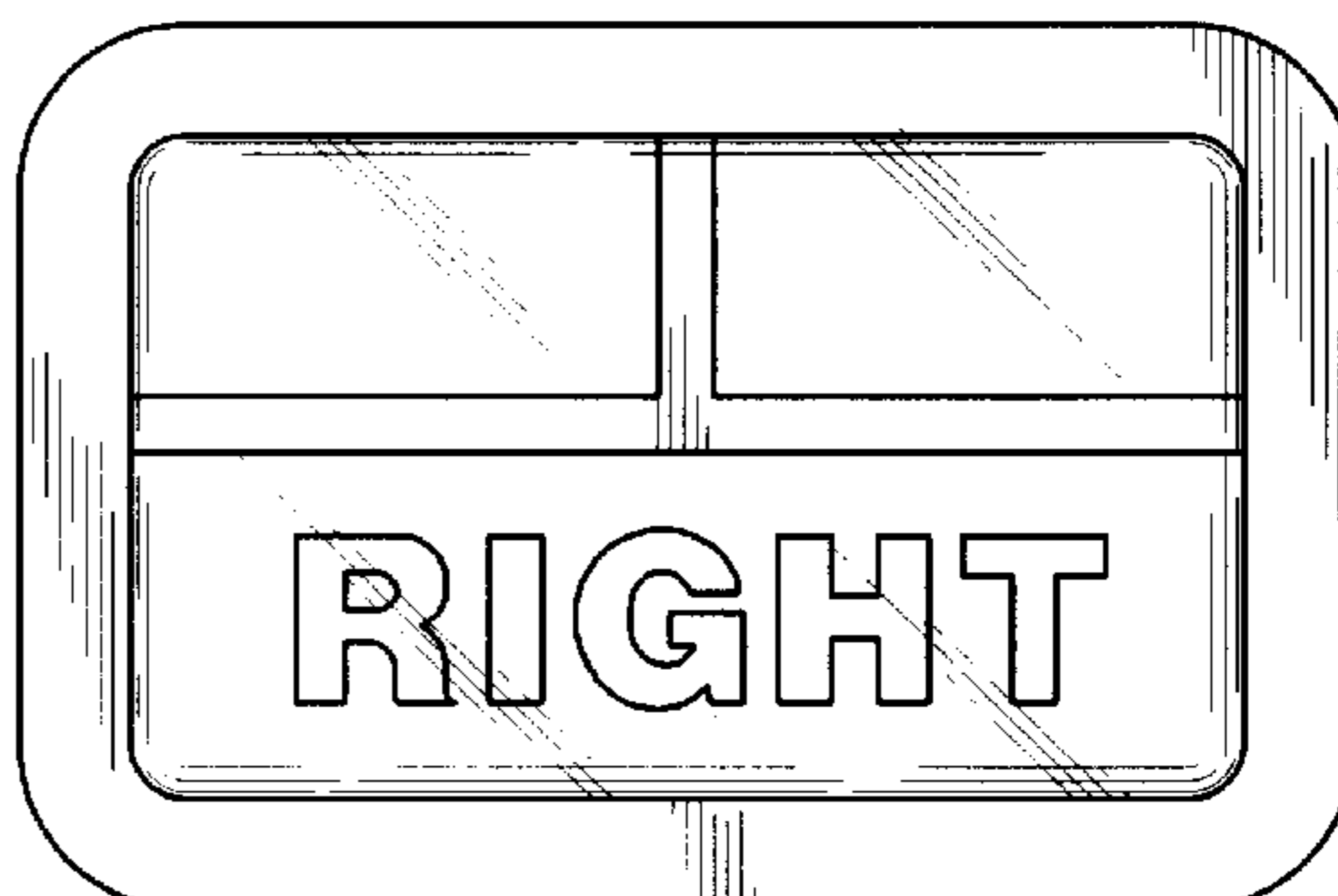
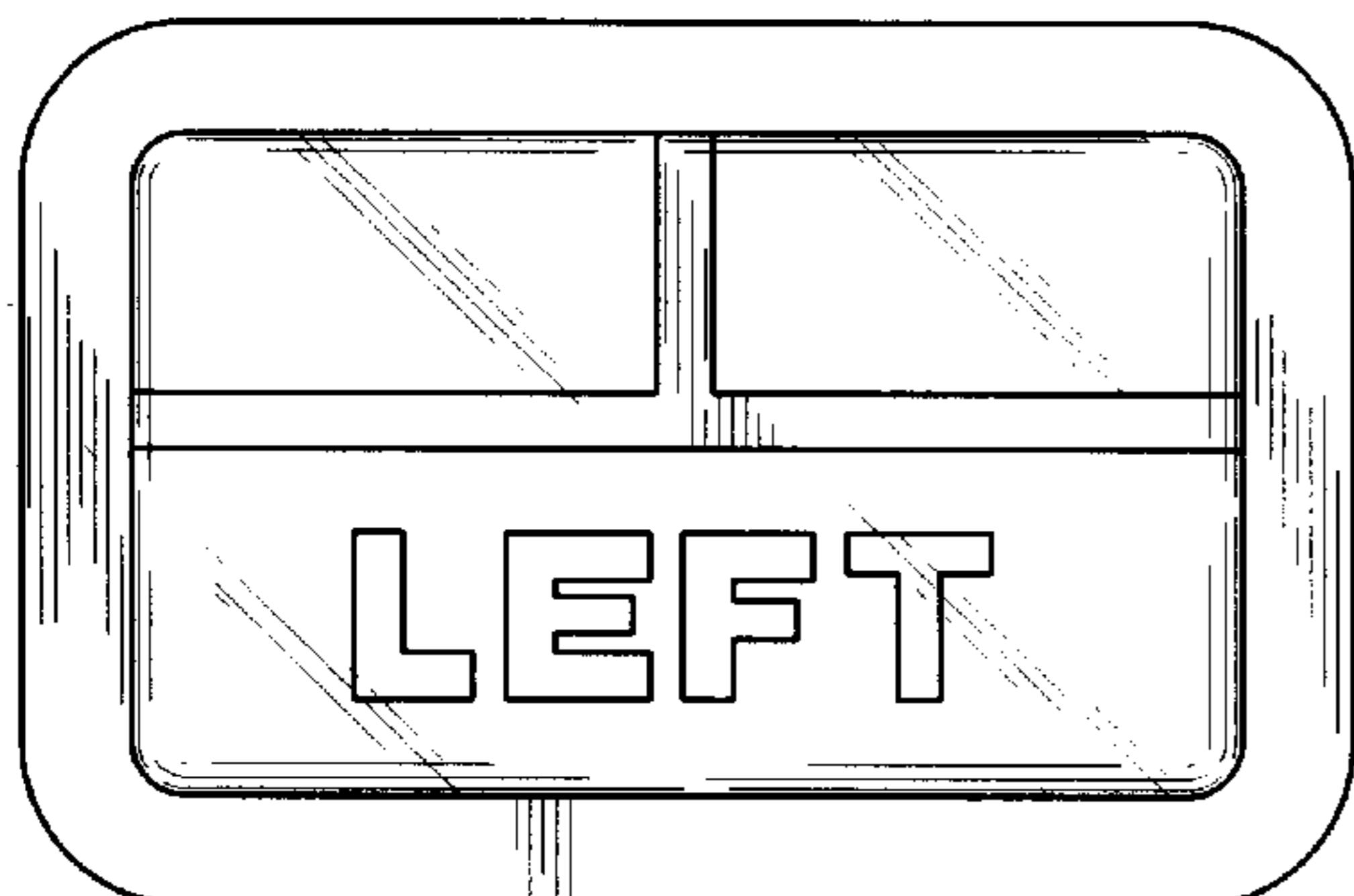


FIG. 1

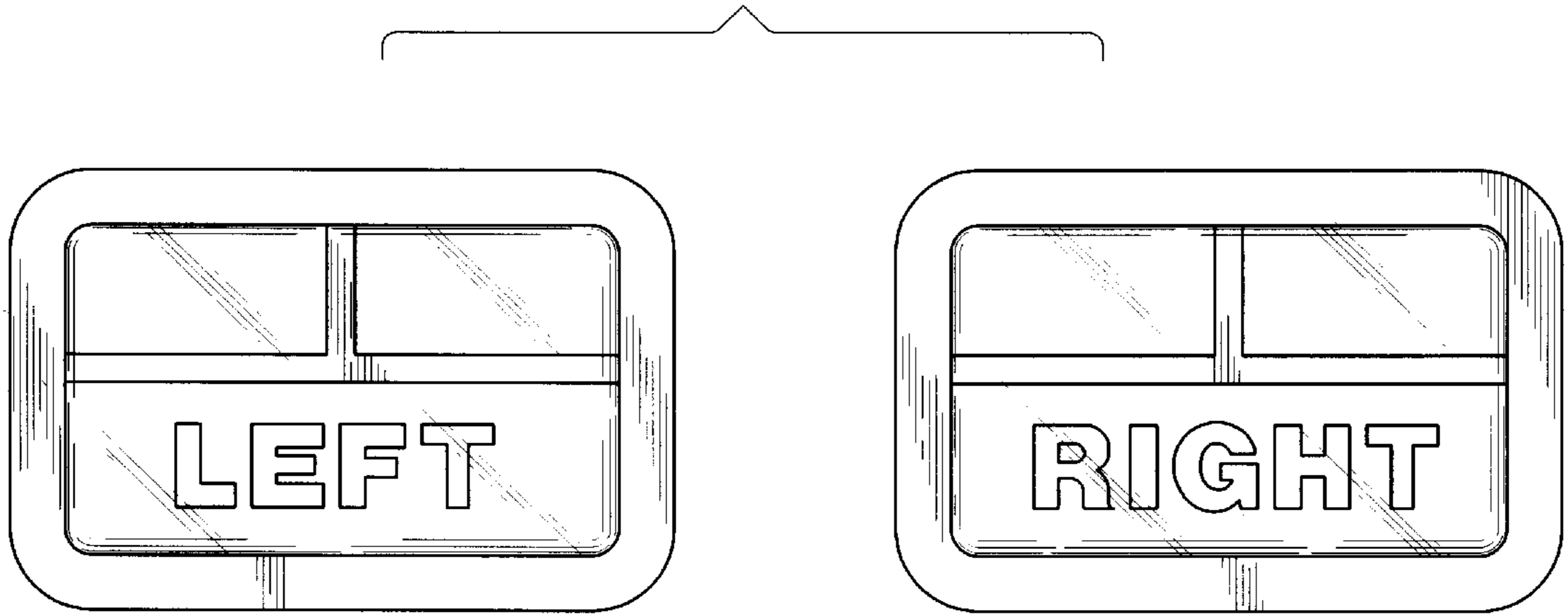


FIG. 2

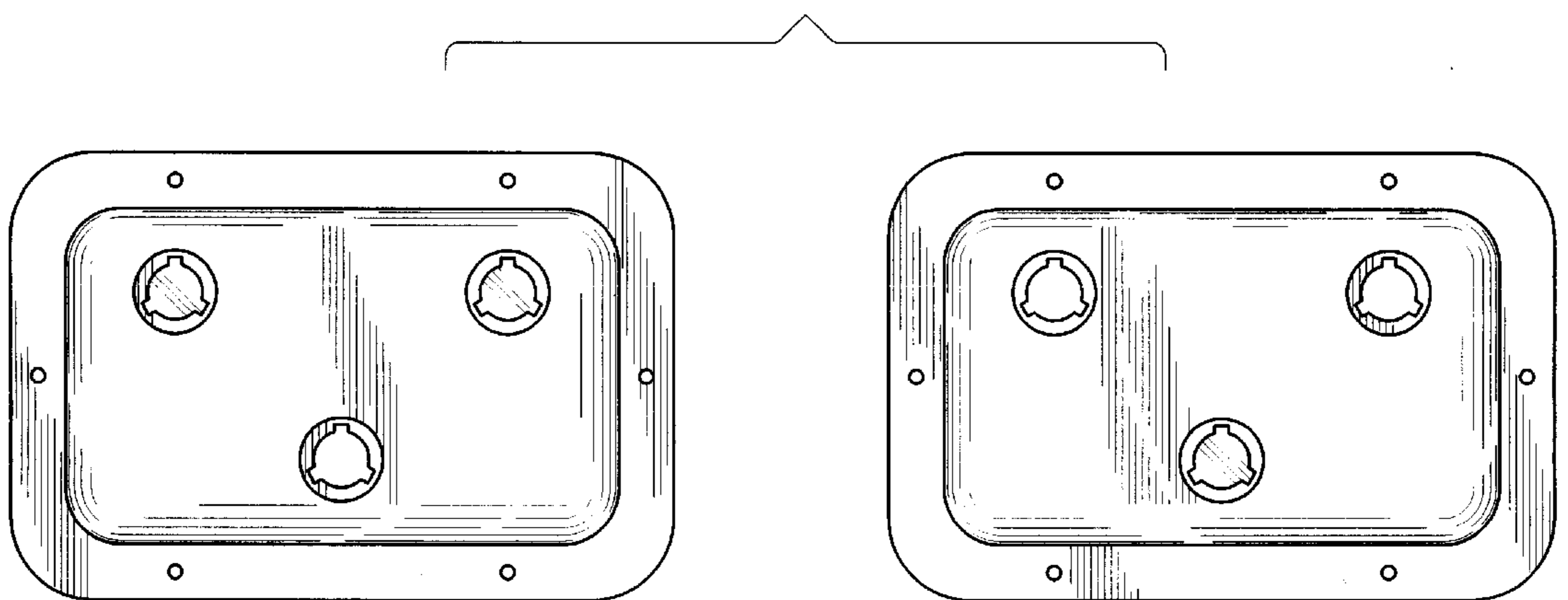


FIG. 3

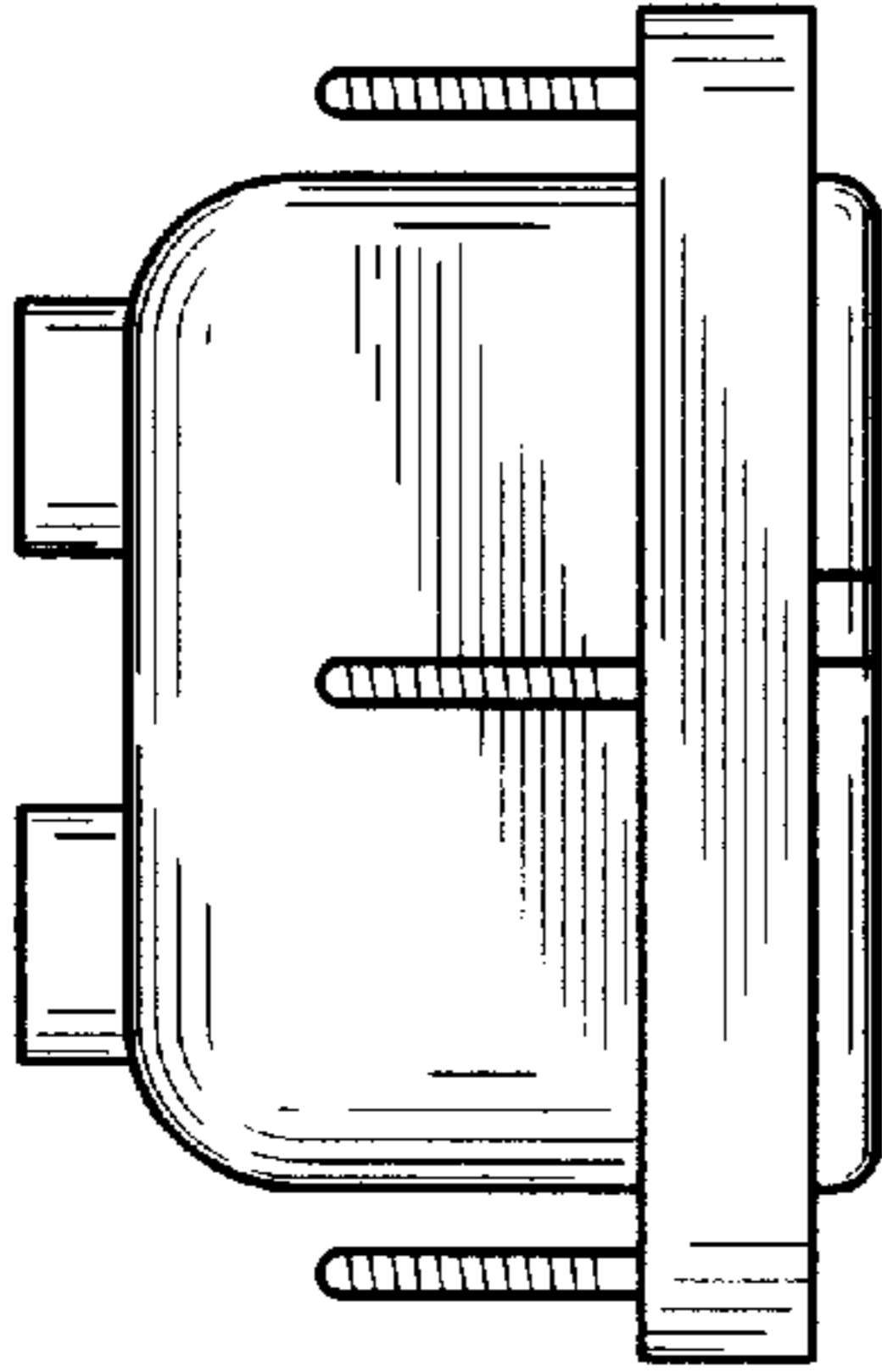


FIG. 4

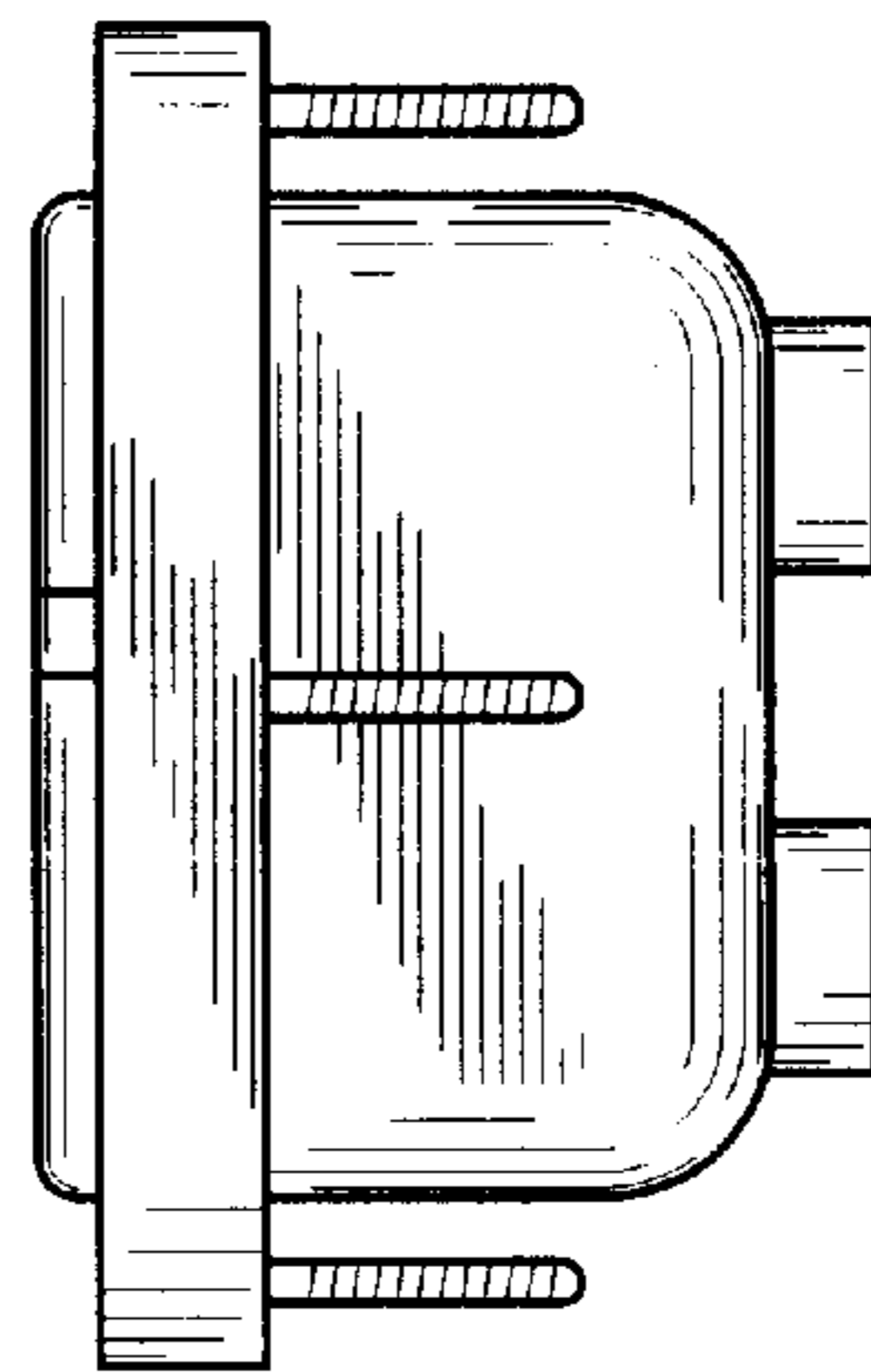


FIG. 5

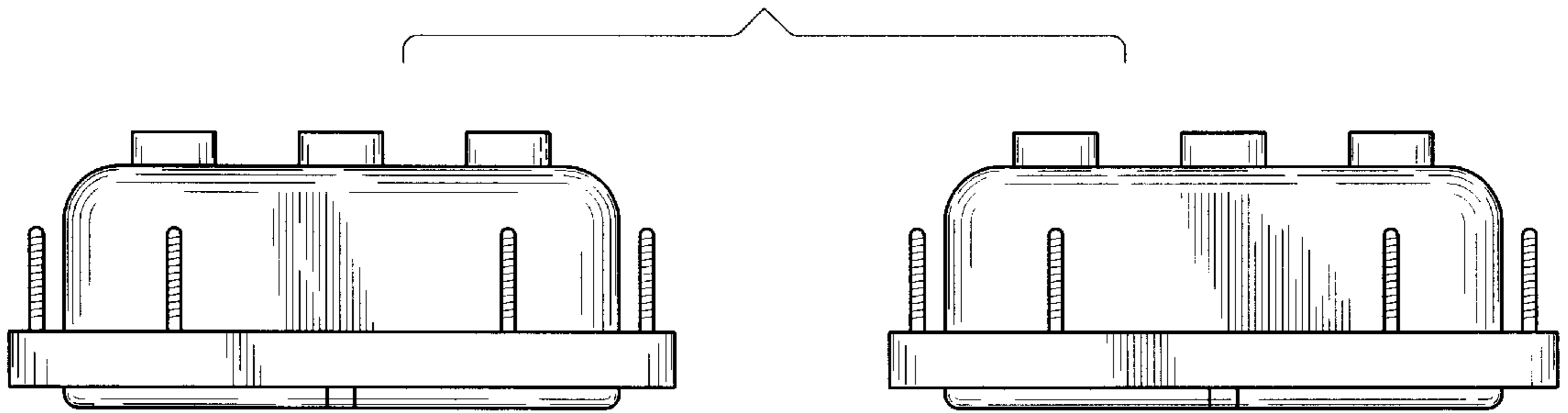


FIG. 6

