



US00D401879S

**United States Patent** [19]  
**Keller**

[11] **Patent Number: Des. 401,879**

[45] **Date of Patent: \*\*Dec. 1, 1998**

[54] **PROTECTIVE FRAME FOR DIRECTIONAL DECAL**

D. 347,660 6/1994 Kaplan ..... D20/42  
D. 393,009 3/1998 Falls et al. .... D20/43

[76] Inventor: **Gary E. Keller**, 531 N. Los Alamos, Mesa, Ariz. 85213

*Primary Examiner*—Marcus A. Jackson  
*Attorney, Agent, or Firm*—Warren F. B. Lindsley

[\*\*] Term: **14 Years**

[57] **CLAIM**

[21] Appl. No.: **82,598**

The ornamental design for a protective frame for directional decal, as shown and described.

[22] Filed: **Jan. 27, 1998**

**DESCRIPTION**

[51] **LOC (6) Cl.** ..... **10-05**

[52] **U.S. Cl.** ..... **D10/109**

[58] **Field of Search** ..... D20/10, 42, 43, D20/99; D10/109, 114; 40/642.02, 649, 651, 654, 606, 607, 617, 618, 624, 584

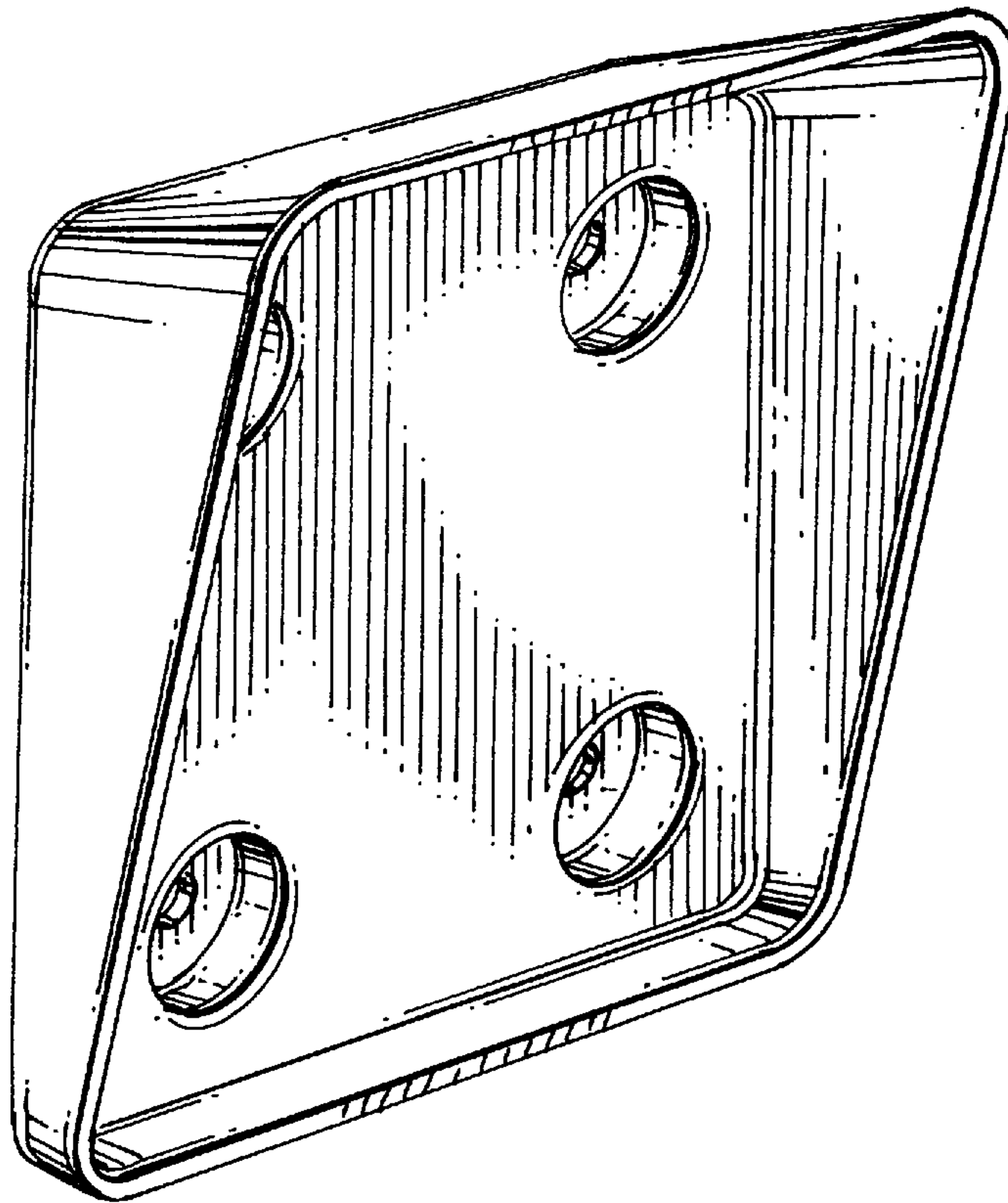
FIG. 1 is a perspective front and left end view of a protective frame for directional decal showing my new design; FIG. 2 is a right end view thereof, with the opposite side being a mirror image; FIG. 3 is a top view thereof; FIG. 4 is a bottom view thereof; FIG. 5 is a front view thereof; and, FIG. 6 is a bottom view thereof.

[56] **References Cited**

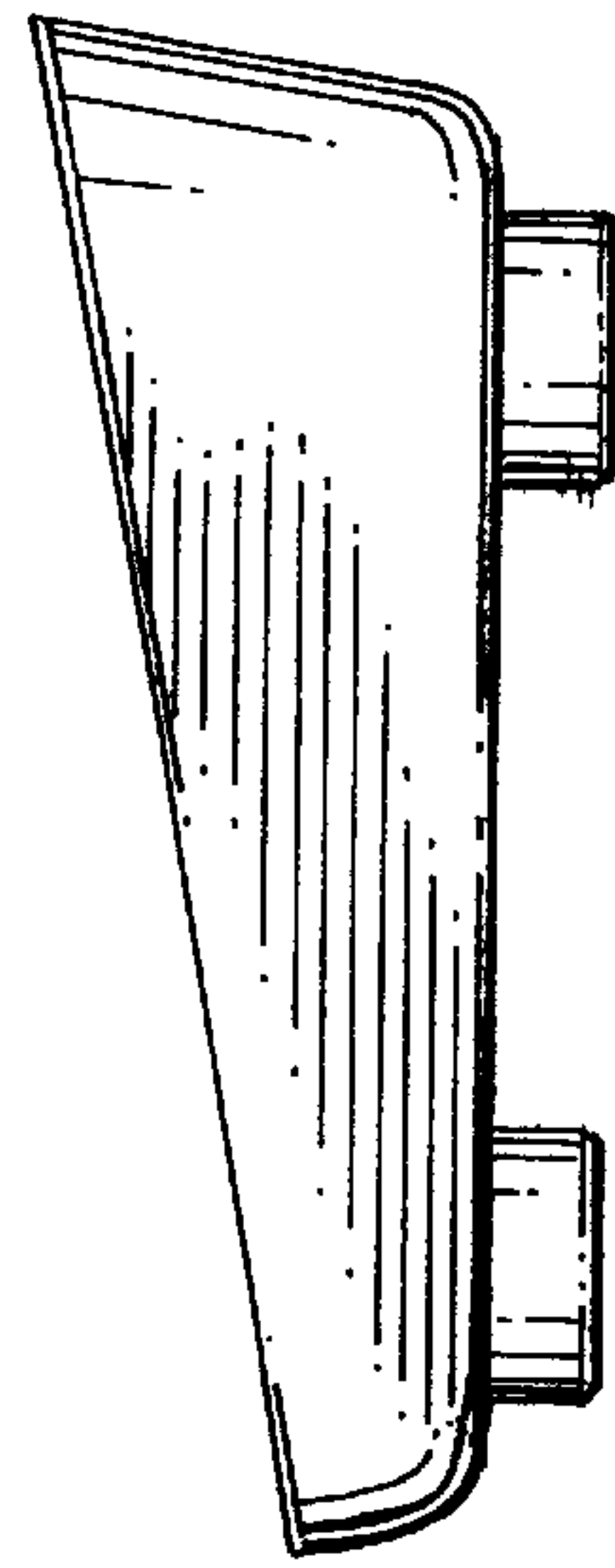
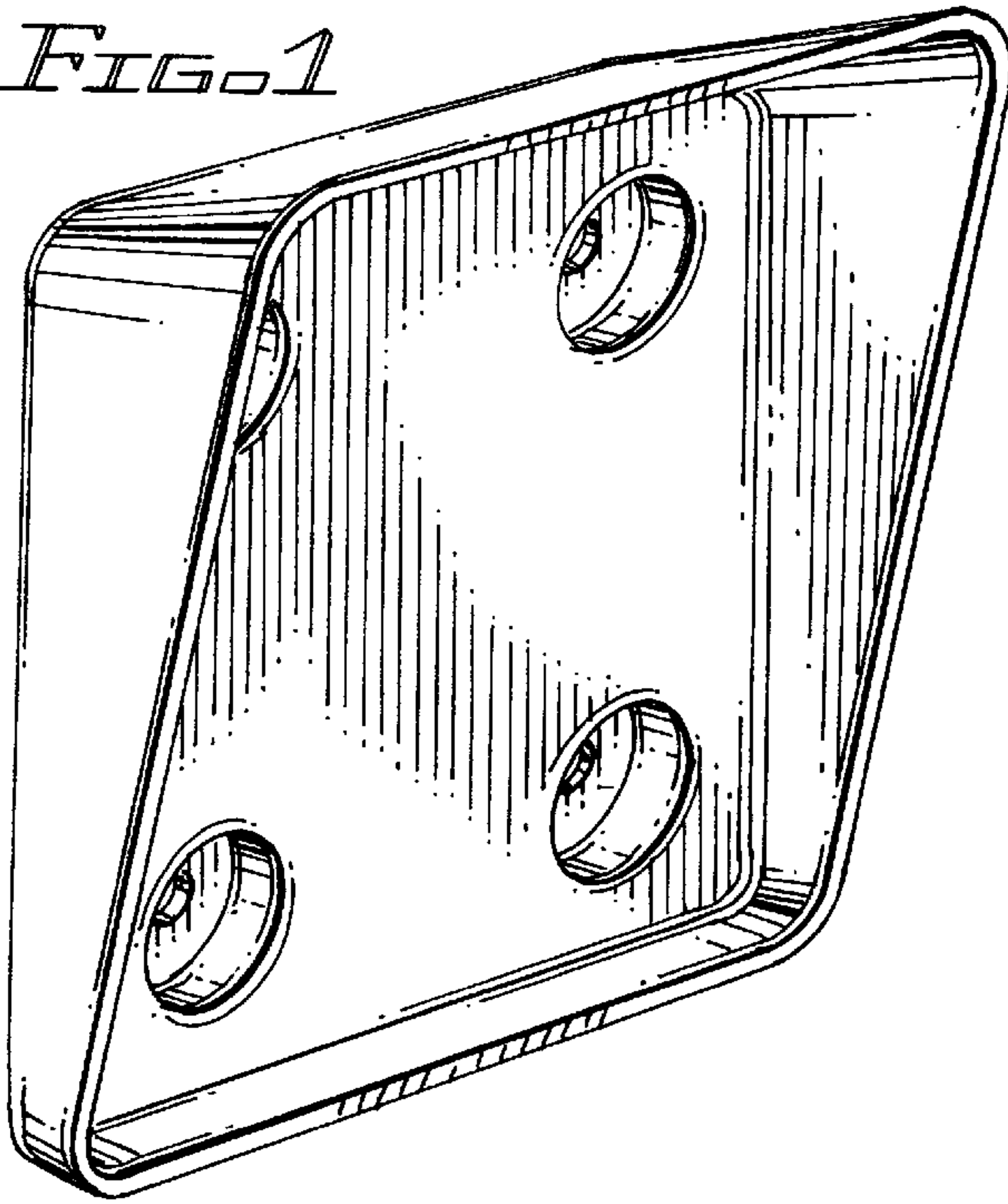
**U.S. PATENT DOCUMENTS**

D. 33,868 1/1901 Dorffel ..... D20/99  
D. 233,184 10/1974 Alfonso ..... D20/99

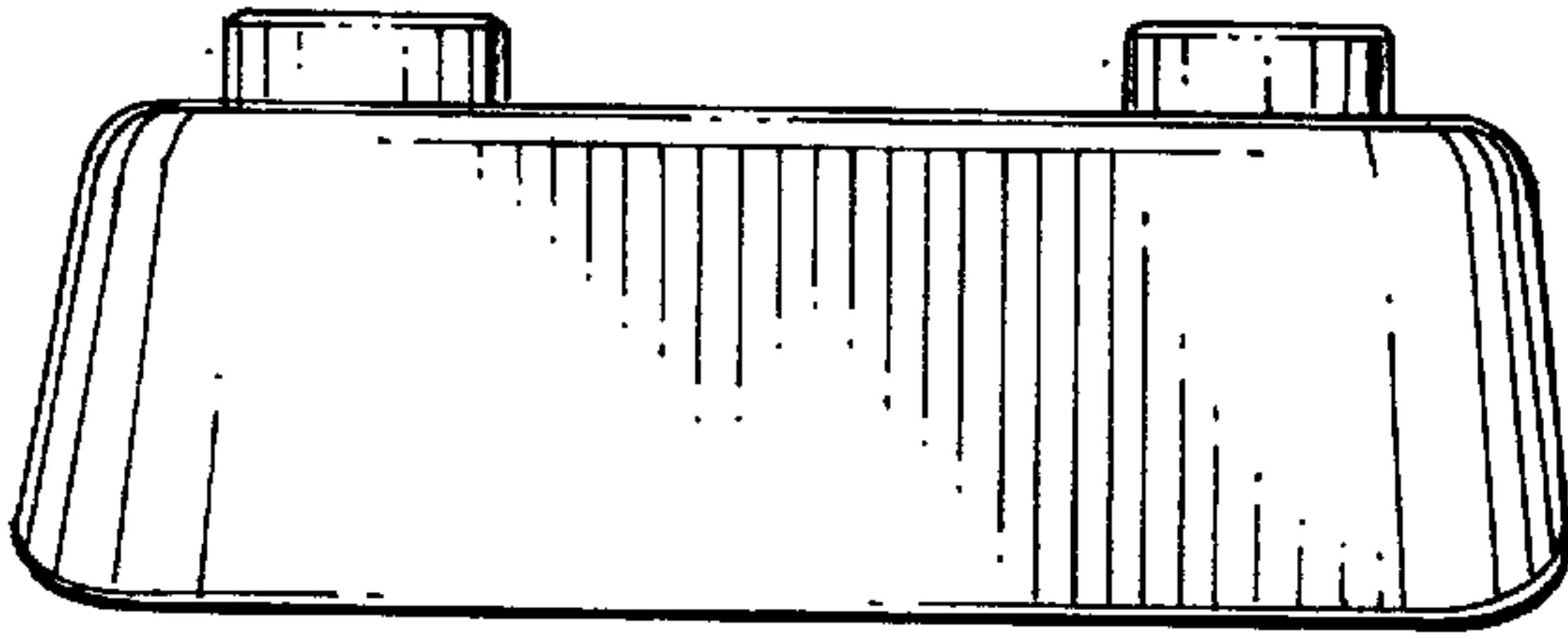
**1 Claim, 1 Drawing Sheet**



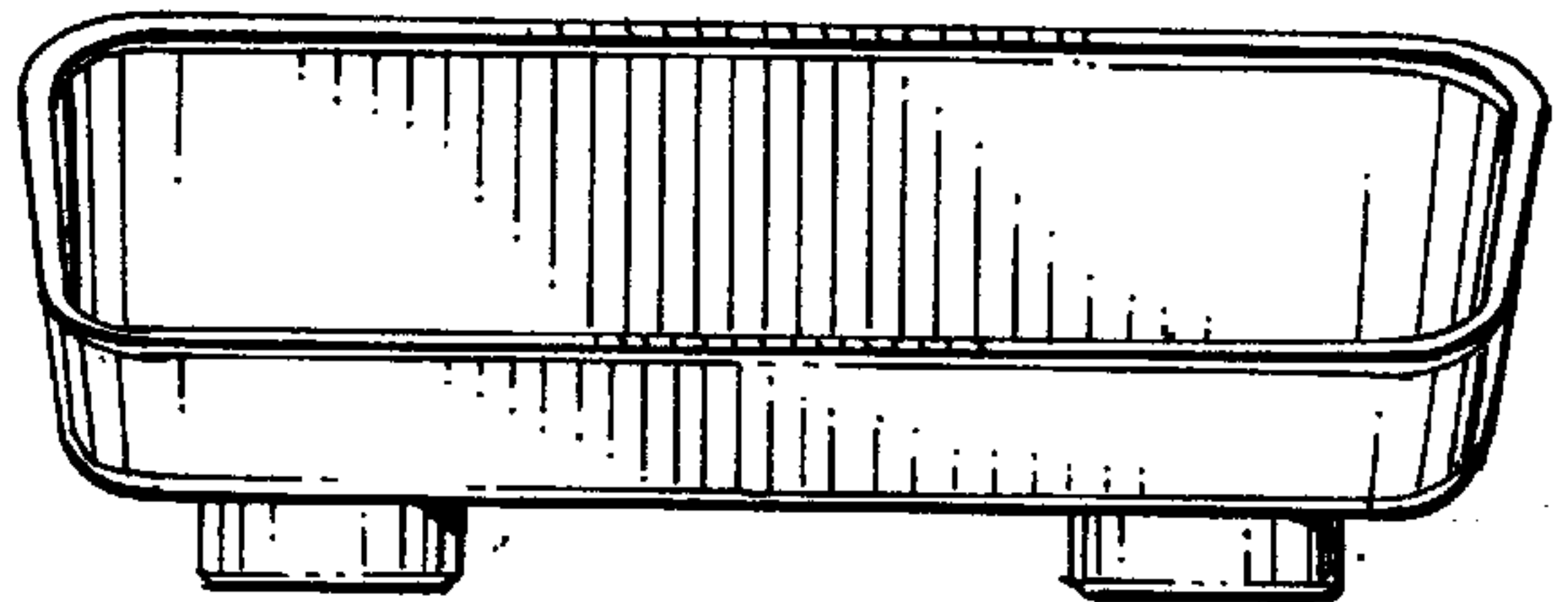
*FIG. 1*



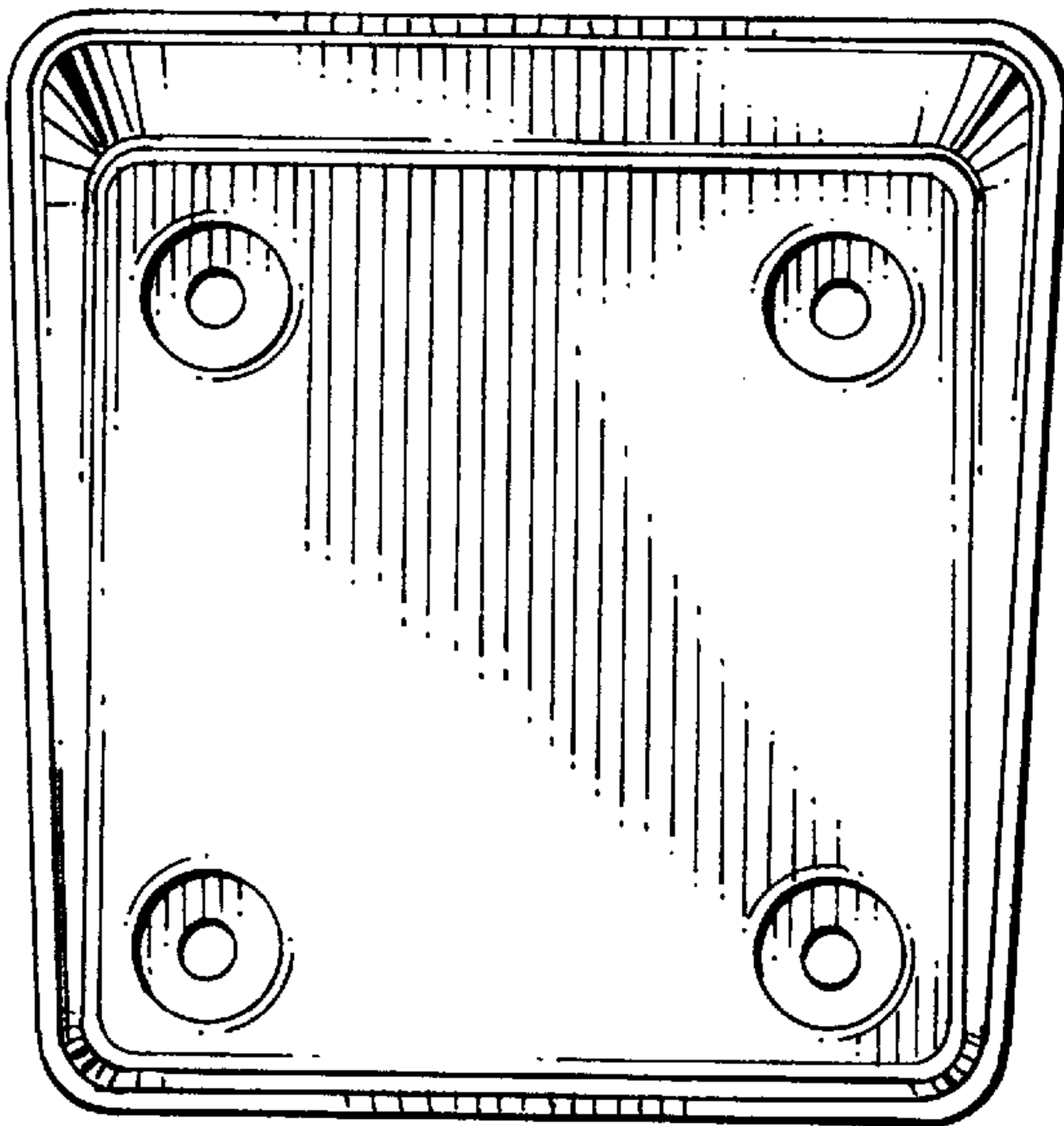
*FIG. 2*



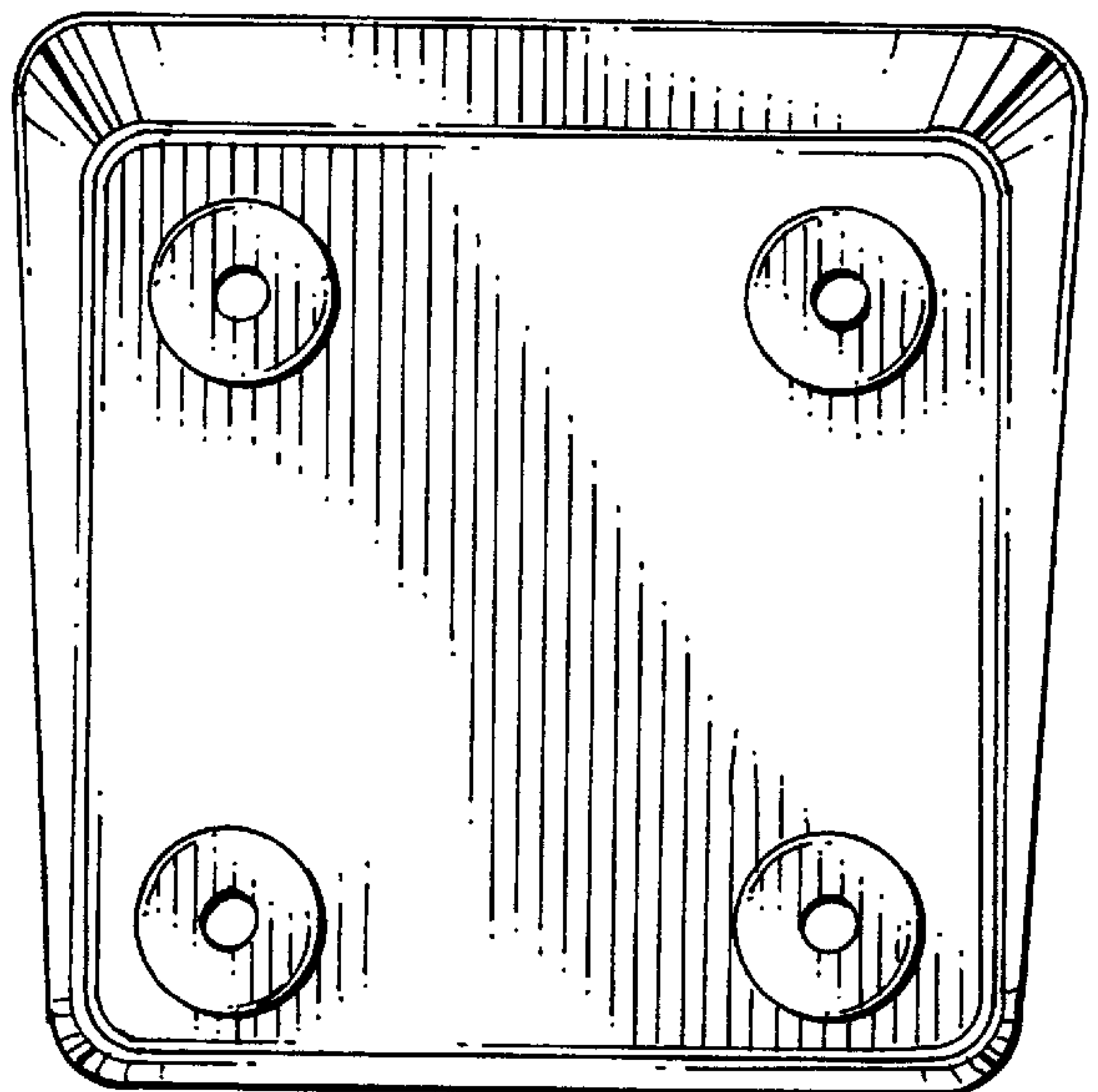
*FIG. 3*



*FIG. 4*



*FIG. 5*



*FIG. 6*