

US00D401876S

United States Patent [19] Yuze

[11] **Patent Number:** **Des. 401,876**

[45] **Date of Patent:** ****Dec. 1, 1998**

[54] **ACCELERATION SENSOR**

5,723,789 3/1998 Shannon 73/514.31

[75] Inventor: **Kazunori Yuze**, Kanagawa, Japan

[73] Assignee: **Nippon Aleph Corporation**, Japan

[**] Term: **14 Years**

[21] Appl. No.: **77,270**

[22] Filed: **Oct. 1, 1997**

[30] Foreign Application Priority Data

May 23, 1997 [JP] Japan 9-55533

[51] **LOC (6) Cl.** **10-04**

[52] **U.S. Cl.** **D10/96; D10/98**

[58] **Field of Search** D10/96, 97, 98;
73/649, 314.33, 514.34; 180/282; 200/61.53;
280/735

[56] References Cited

U.S. PATENT DOCUMENTS

5,706,911 1/1998 Maiwald et al. 180/282

FOREIGN PATENT DOCUMENTS

7306226 11/1995 Japan .

984252 7/1997 Japan .

Primary Examiner—Antoine Duval Davis
Attorney, Agent, or Firm—Saidman DesignLaw Group

[57] CLAIM

The ornamental design for an acceleration sensor, as shown and described.

DESCRIPTION

FIG. 1 is a perspective view of the acceleration sensor showing my new design;
FIG. 2 is a top plan view thereof;
FIG. 3 is a front elevational view thereof;
FIG. 4 is a bottom plan view thereof;
FIG. 5 is a right side elevational view thereof; and,
FIG. 6 is a left side elevational view thereof.

1 Claim, 2 Drawing Sheets

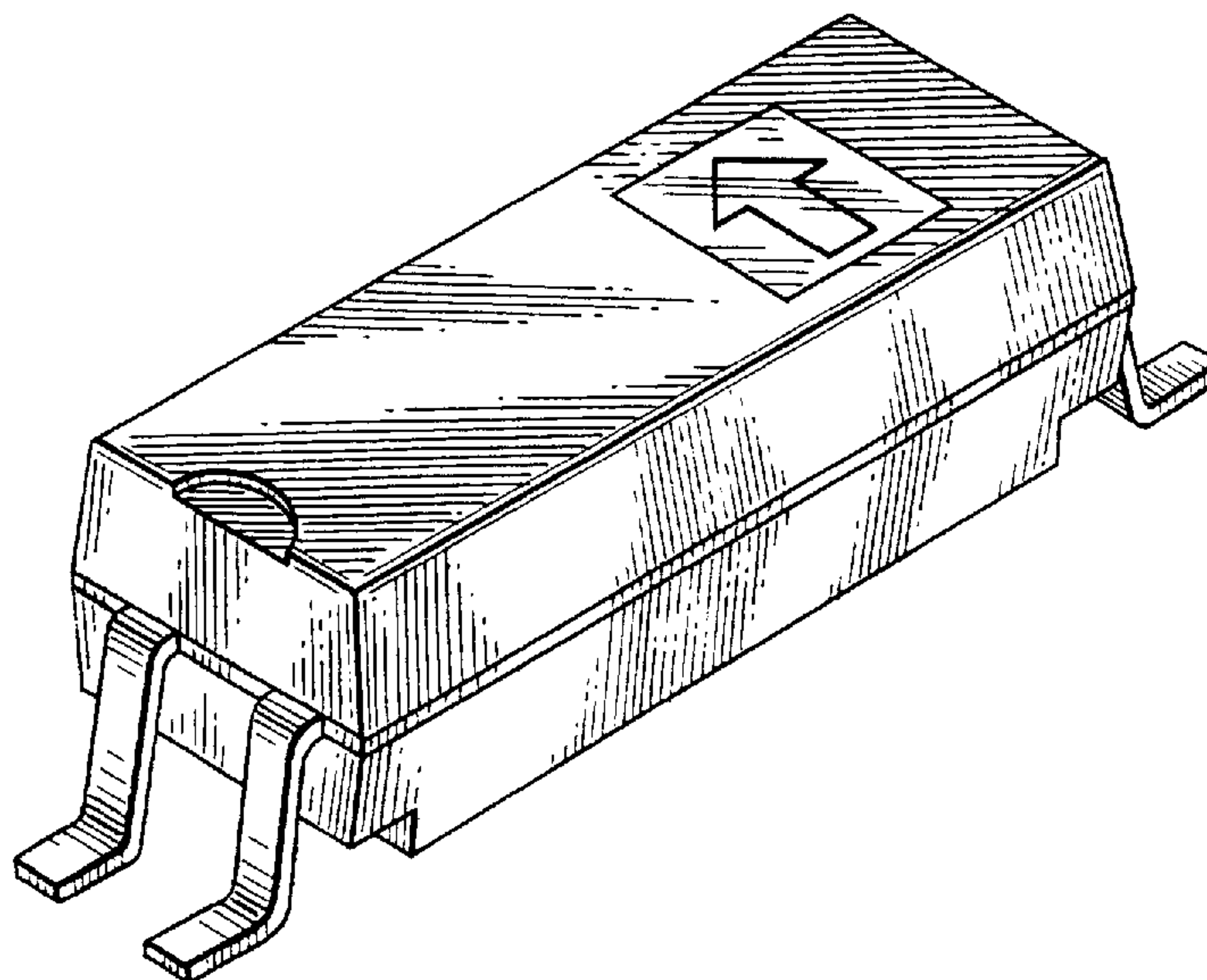


FIG. 1

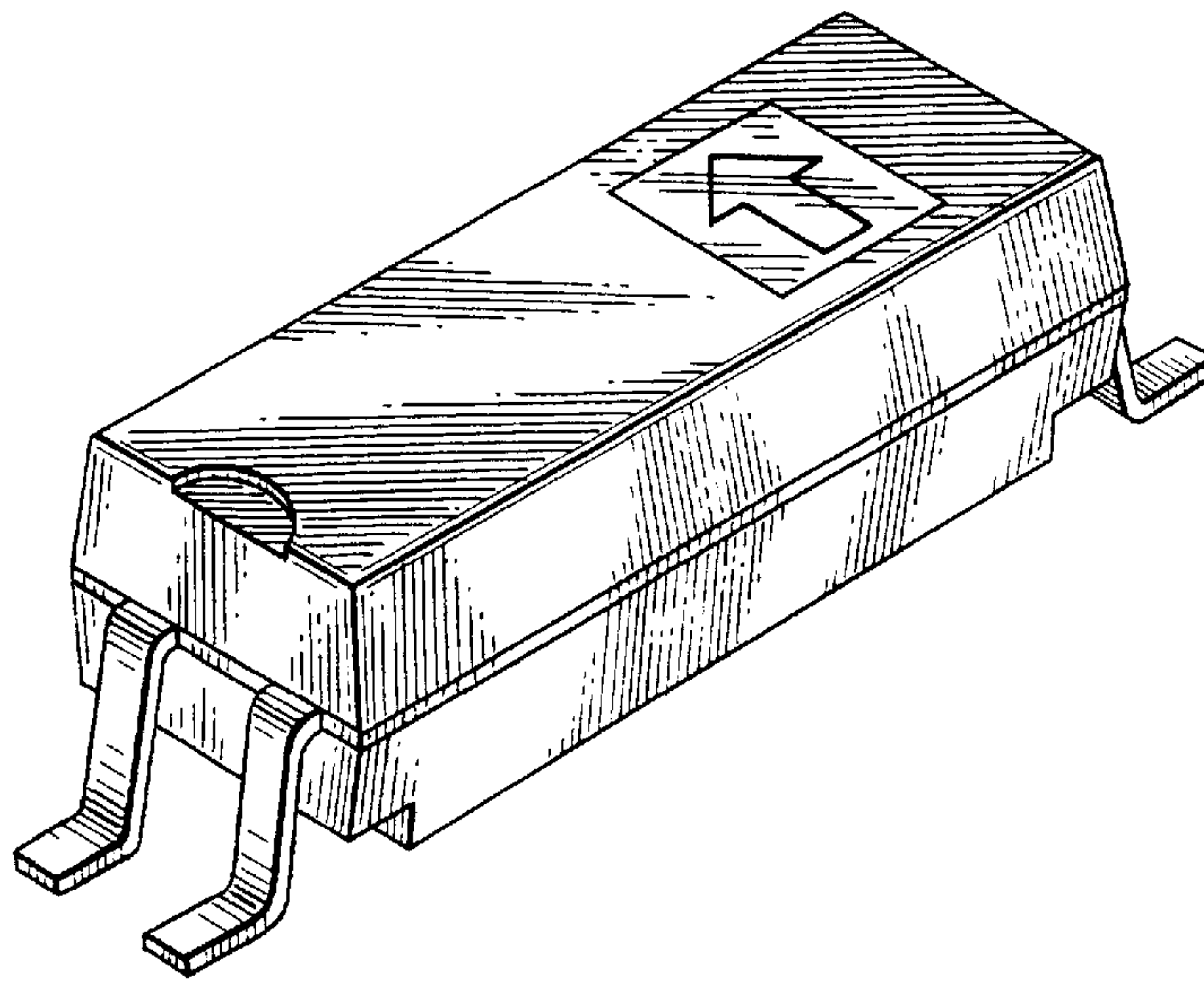


FIG.2

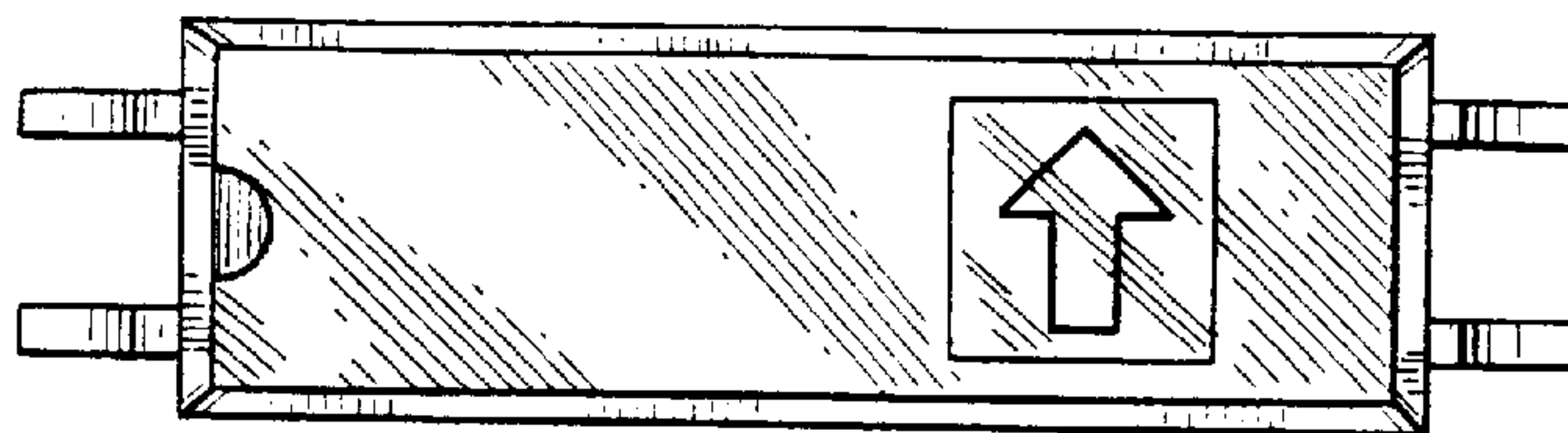


FIG.3

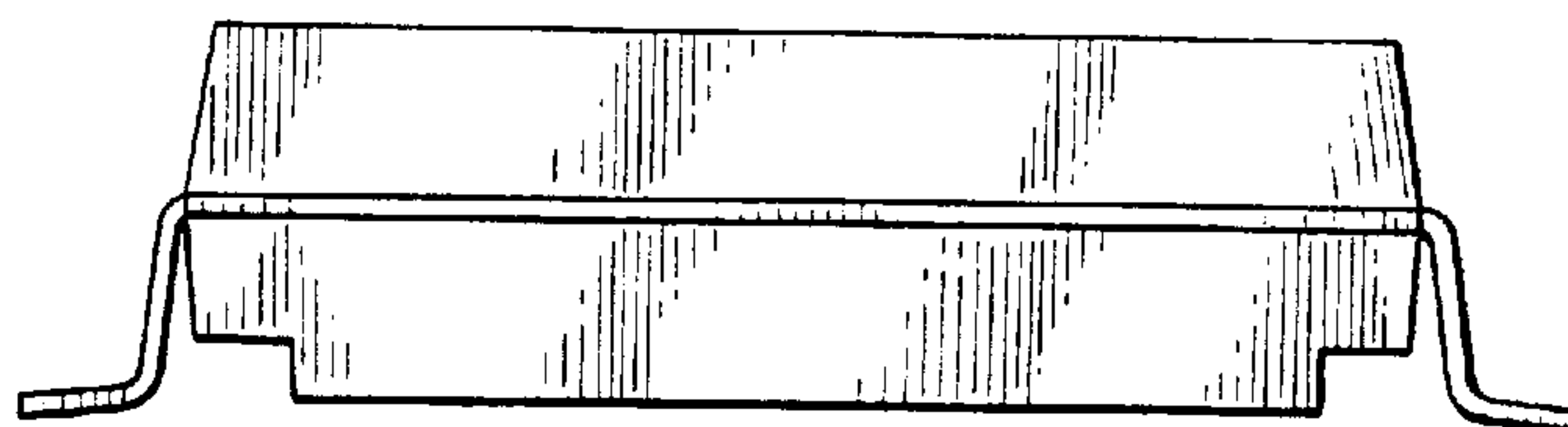


FIG.4

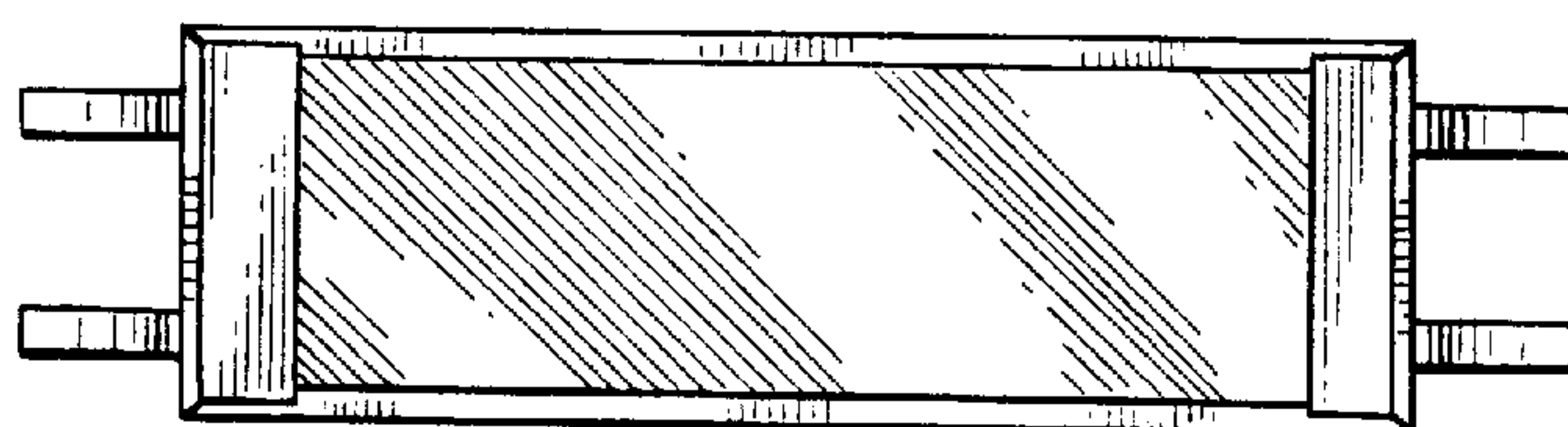


FIG.6

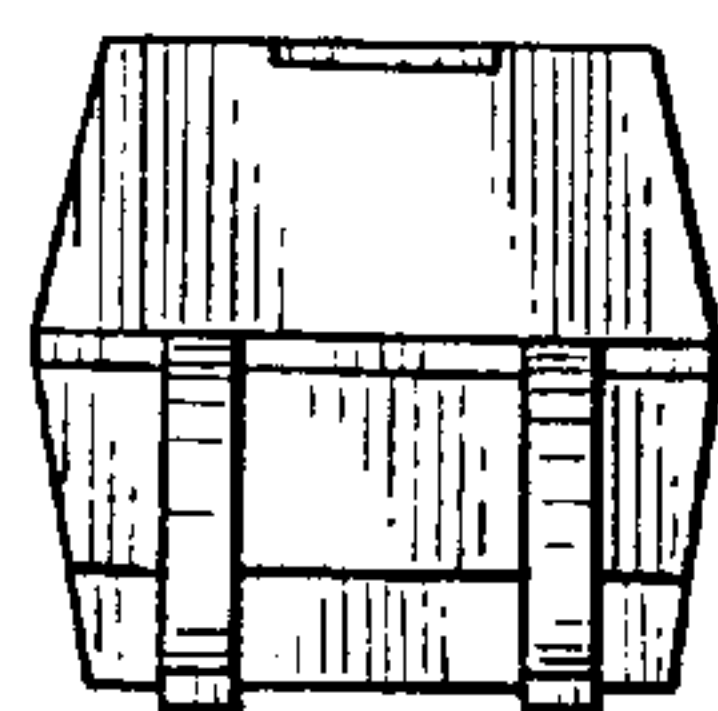


FIG.5

