



US00D401875S

United States Patent [19]
Wrisley

[11] **Patent Number: Des. 401,875**
[45] **Date of Patent: **Dec. 1, 1998**

[54] **BUTTON CONFIGURATION IN A HAND-HELD ELECTRONIC MEASUREMENT INSTRUMENT**

[75] Inventor: **Jerry L. Wrisley**, Beaverton, Oreg.

[73] Assignee: **Tektronix, Inc.**, Wilsonville, Oreg.

[**] Term: **14 Years**

[21] Appl. No.: **82,436**

[22] Filed: **Jan. 22, 1998**

[51] **LOC (6) Cl.** **10-04**

[52] **U.S. Cl.** **D10/78**

[58] **Field of Search** D10/78; 324/72.5,
324/110, 114, 115, 149, 151 A, 151 R,
156, 158 F

[56] **References Cited**

U.S. PATENT DOCUMENTS

D. 280,299	8/1985	Nelson	D10/78
D. 282,532	2/1986	Brown	D10/78
D. 314,715	2/1991	Nelson	D10/78
D. 352,251	11/1994	Ketterer	D10/78
D. 365,031	12/1995	Kim	D10/78
D. 365,527	12/1995	Peterson	D10/78
D. 365,996	1/1996	Peterson	D10/78
D. 381,280	7/1997	Tomiyama et al.	D10/78
D. 385,808	11/1997	Kim	D10/78
8,820,300	1/1700	Lyford	D10/40

OTHER PUBLICATIONS

Tektronix, Inc. Test and Measurement Product Catalog 1993.

Primary Examiner—Antoine Duval Davis
Attorney, Agent, or Firm—William K. Bucher

[57] **CLAIM**

The ornamental design for a button configuration for a hand-held electronic measurement instrument, as shown and described.

DESCRIPTION

FIG. 1 is a perspective view of a button configuration for a hand-held electronic measurement instrument showing my new design;

FIG. 2 is a front elevation view of the button configuration for a hand-held electronic measurement instrument showing in broken lines the environment in which the button configuration is used;

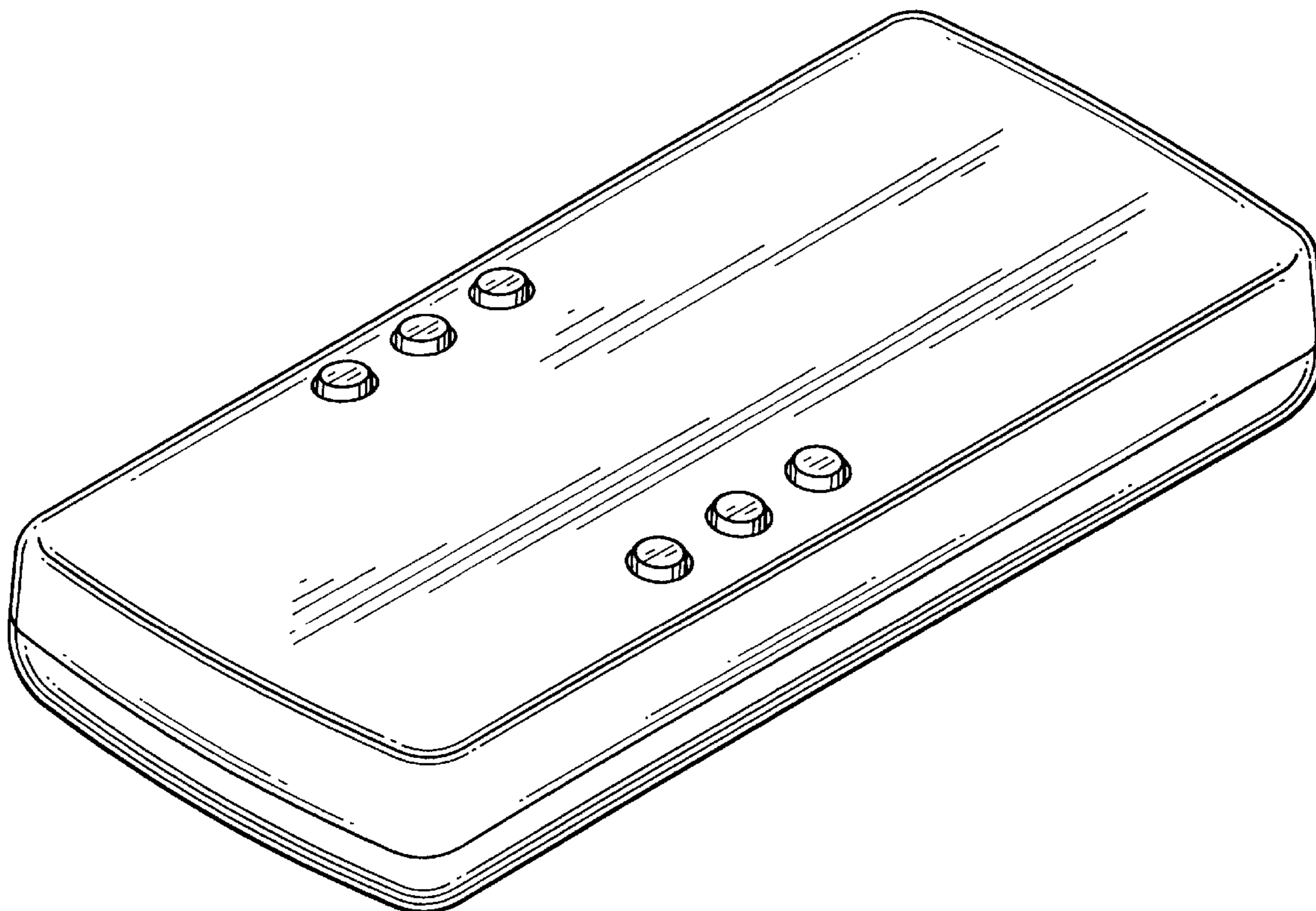
FIG. 3 is a left side elevation view having a mirrored right side elevation view of the button configuration for a hand-held electronic measurement instrument;

FIG. 4 is a bottom side elevation view having a mirrored top side elevation view of the button configuration for a hand-held electronic measurement instrument;

FIG. 5 is a back elevation view of the button configuration for a hand-held electronic measurement instrument; and,

FIG. 6 is a front elevation view of the button configuration for a hand-held electronic measurement instrument.

1 Claim, 4 Drawing Sheets



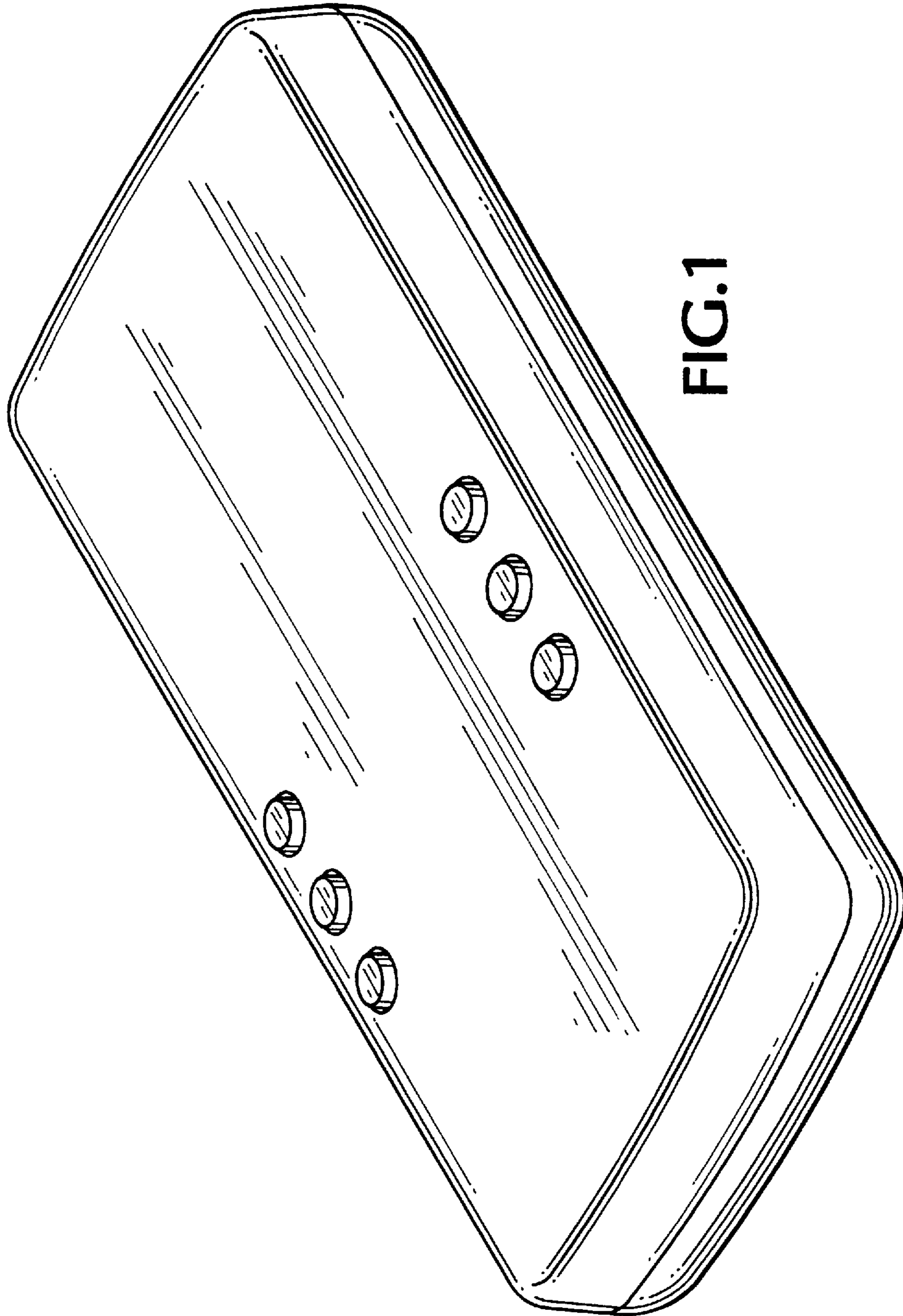


FIG.1

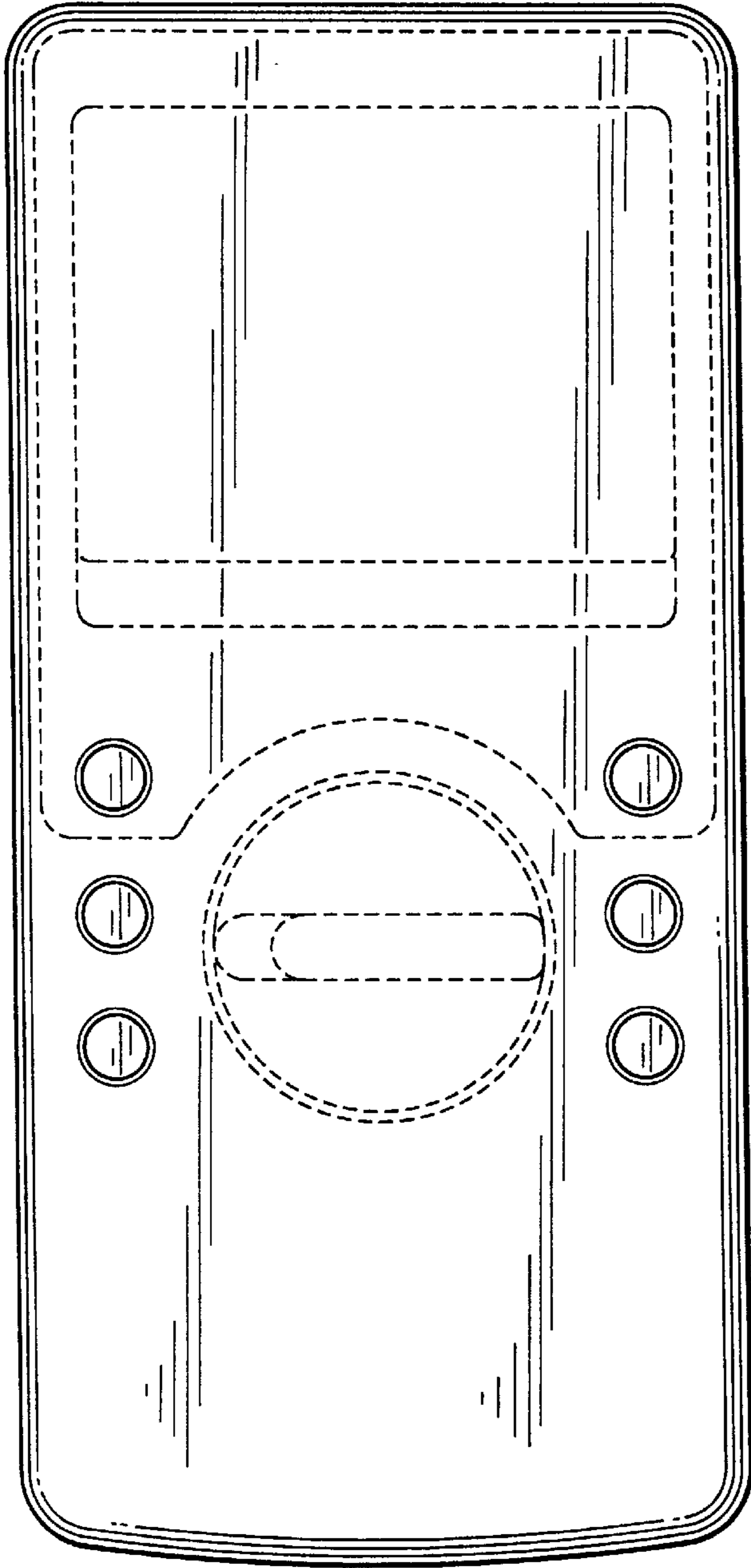


FIG. 2

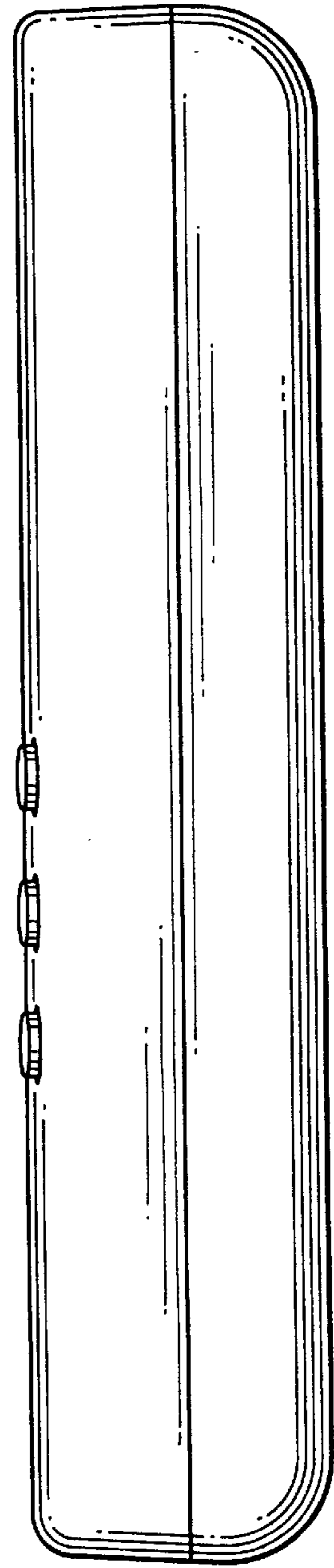


FIG. 3

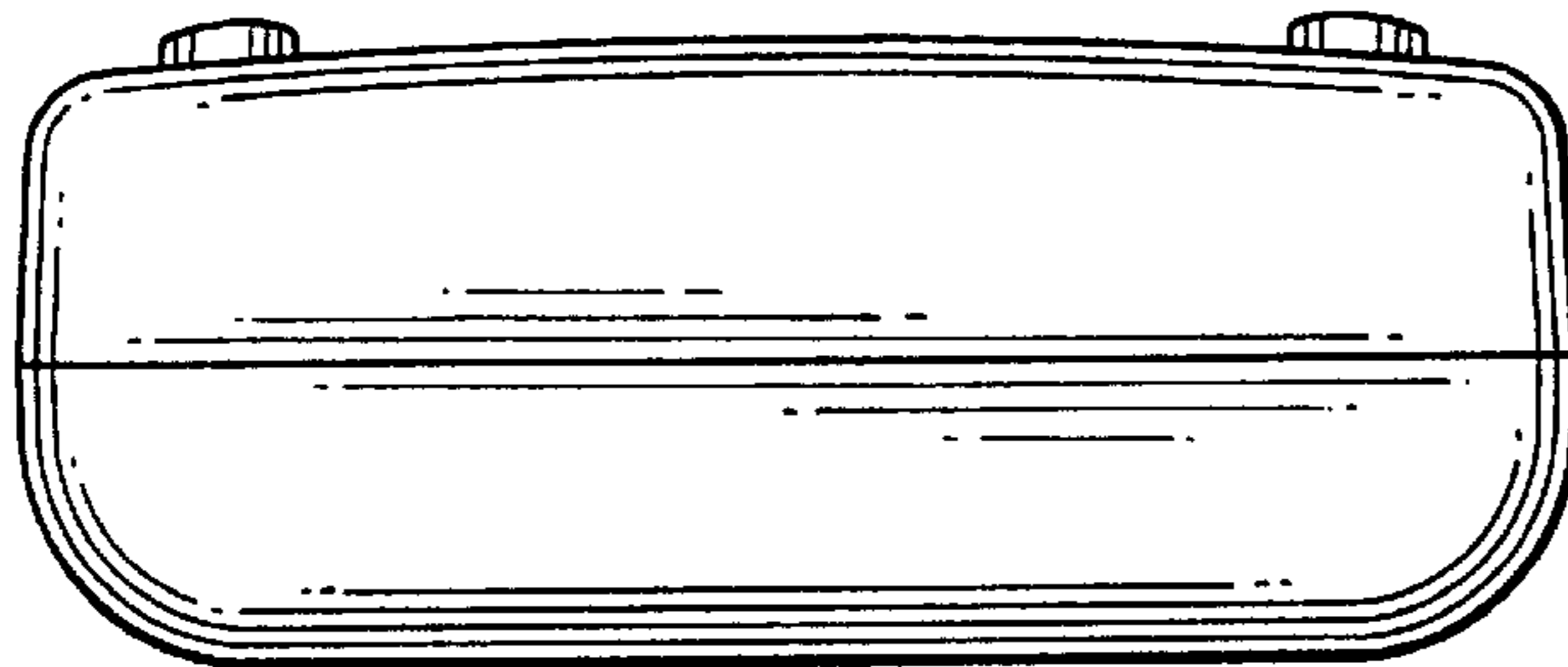


FIG. 4

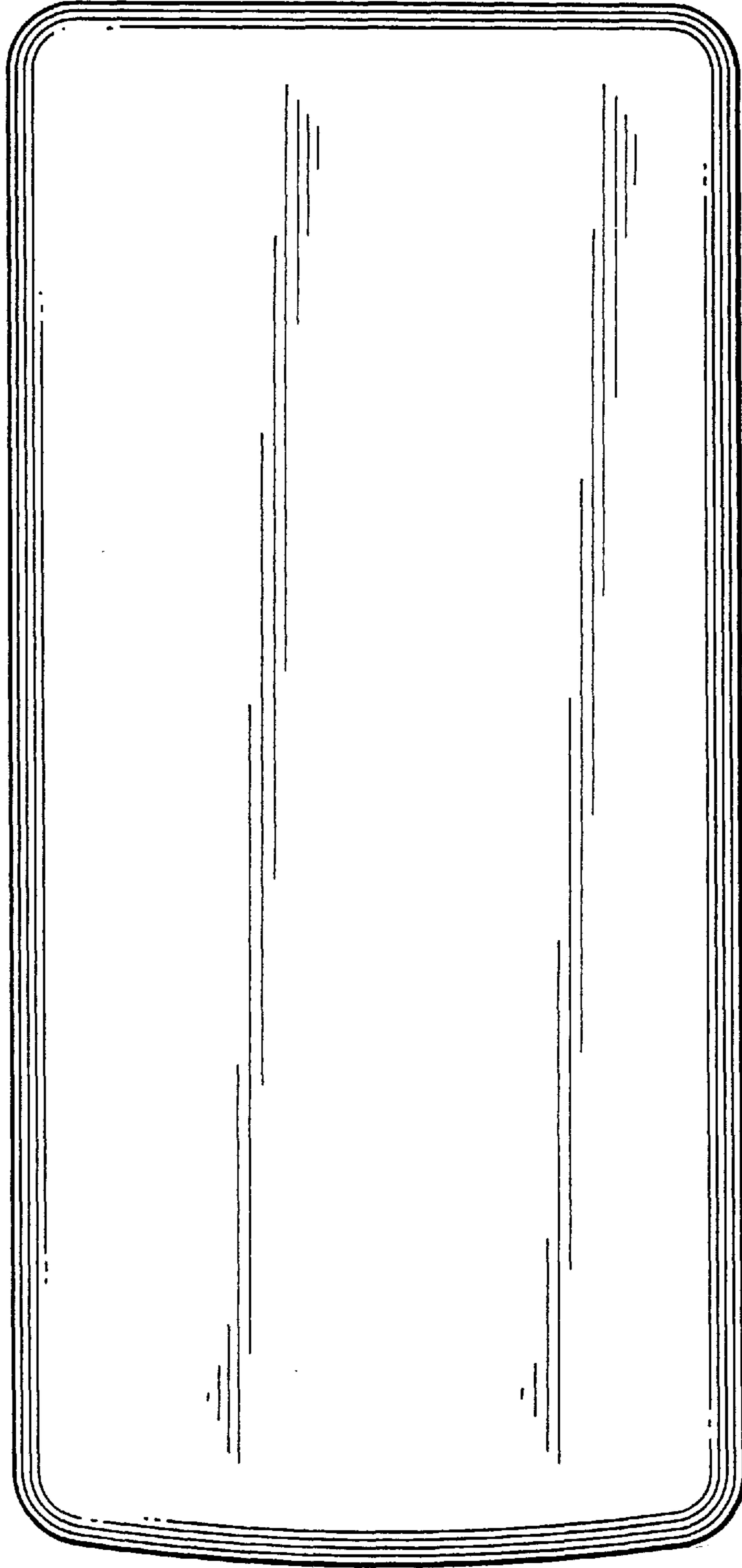


FIG.5

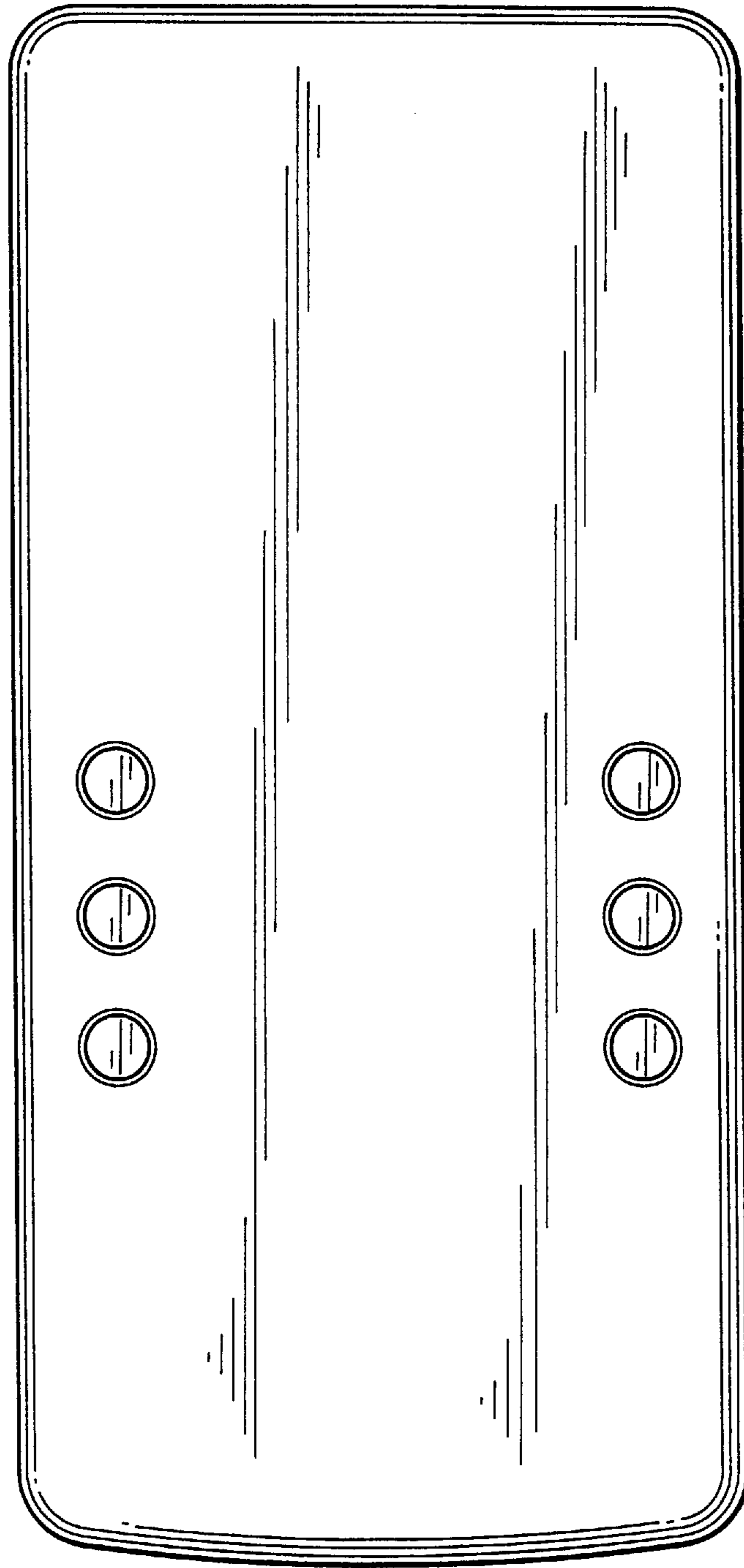


FIG.6