



US00D401872S

United States Patent [19]
Mohan

[11] **Patent Number: Des. 401,872**

[45] **Date of Patent: **Dec. 1, 1998**

[54] **DUAL POSITIONAL SENSOR DEVICE**

[75] Inventor: **William L. Mohan**, Barrinton, Ill.

[73] Assignee: **Spartanics, Ltd.**, Rolling Meadows, Ill.

[**] Term: **14 Years**

[21] Appl. No.: **75,384**

[22] Filed: **Aug. 18, 1997**

[51] **LOC (6) Cl.** **10-04**

[52] **U.S. Cl.** **D10/70**

[58] **Field of Search** D10/70, 46; 324/207.12,
324/207.13, 207.2, 207.21, 207.22, 207.25;
335/205; 381/68.4

[56] **References Cited**

U.S. PATENT DOCUMENTS

5,581,179 12/1996 Engel et al. 324/207.2

Primary Examiner—Antoine Duval Davis
Attorney, Agent, or Firm—Robert A. Brown

[57] **CLAIM**

The ornamental design for a dual positional sensor device, as shown and described.

DESCRIPTION

FIG. 1 is a perspective view of a dual positional sensor device showing my new design;

FIG. 2 is a top plan view thereof;

FIG. 3 is a right side elevational view thereof;

FIG. 4 is a left side elevational view thereof;

FIG. 5 is a front elevational view thereof; and,

FIG. 6 is a bottom side plan view thereof.

1 Claim, 1 Drawing Sheet

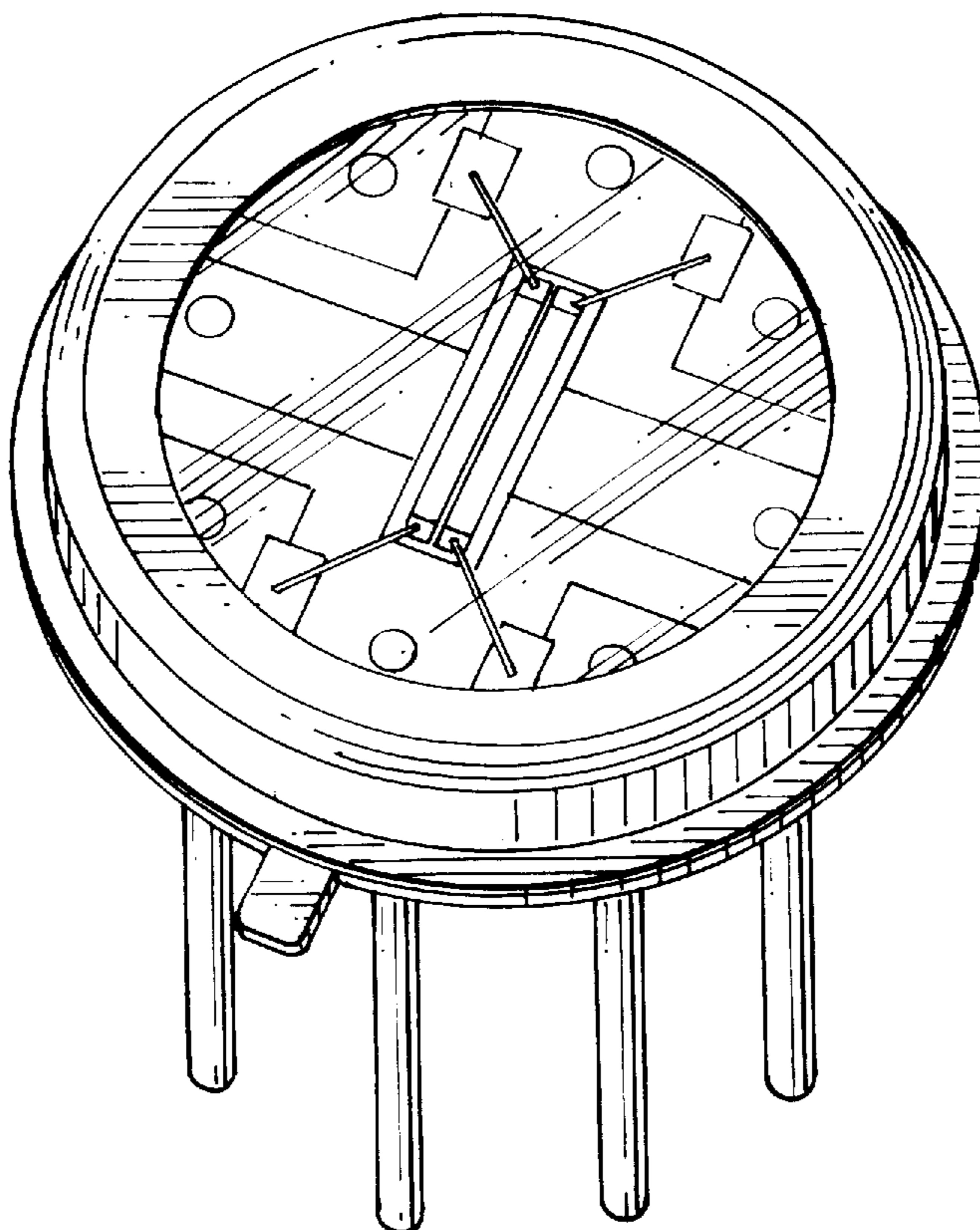


FIG. 1

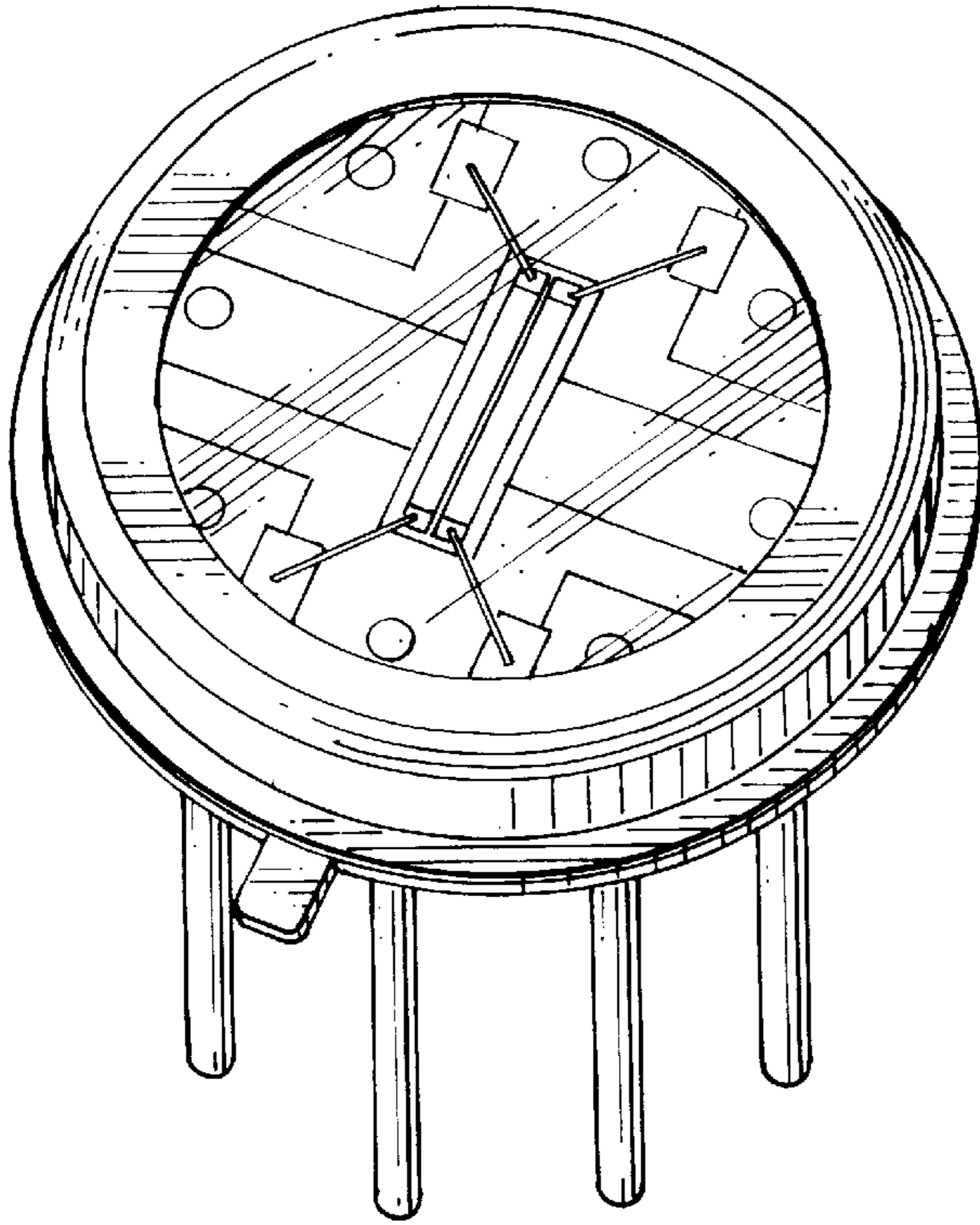


FIG. 2

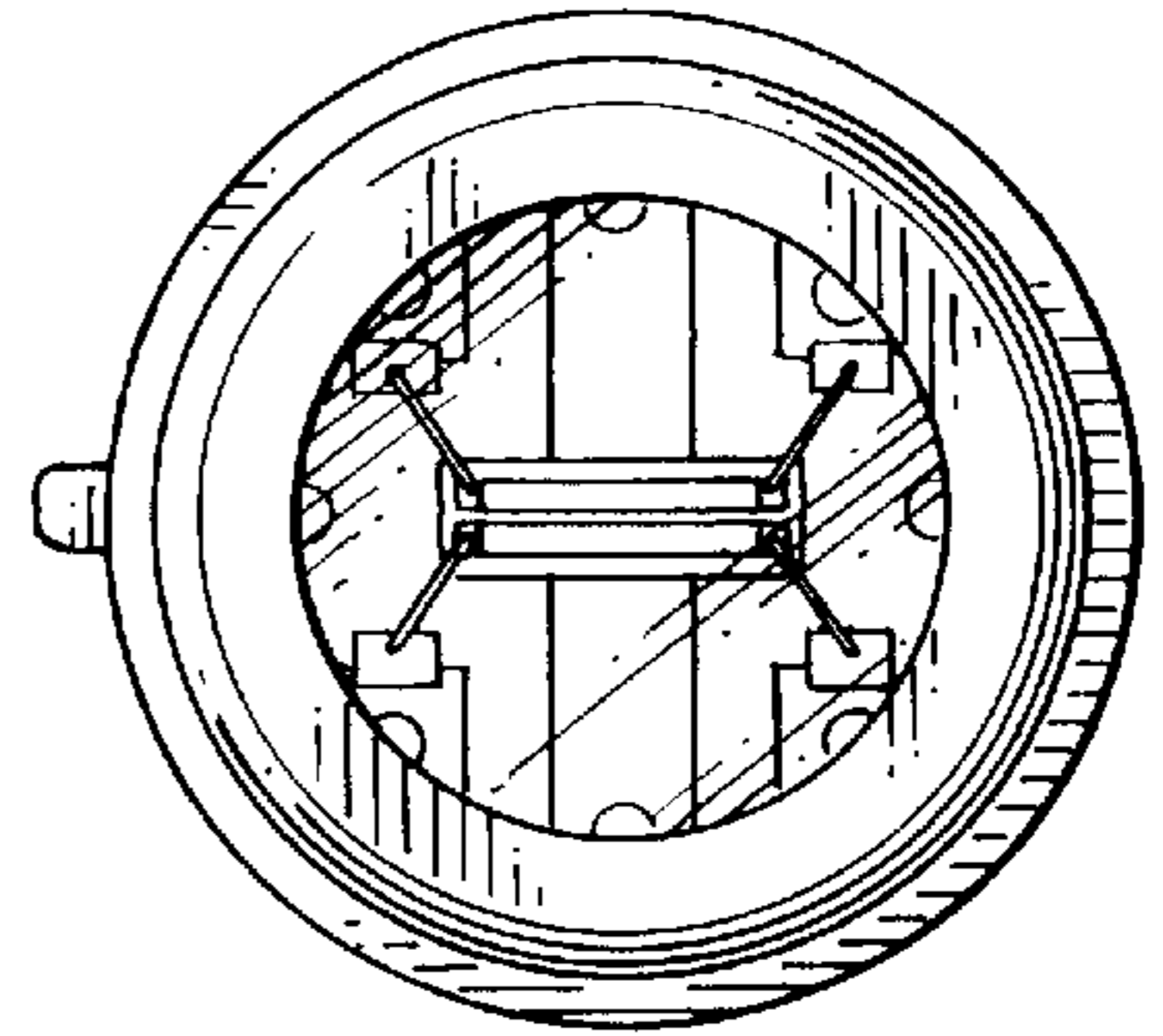


FIG. 3

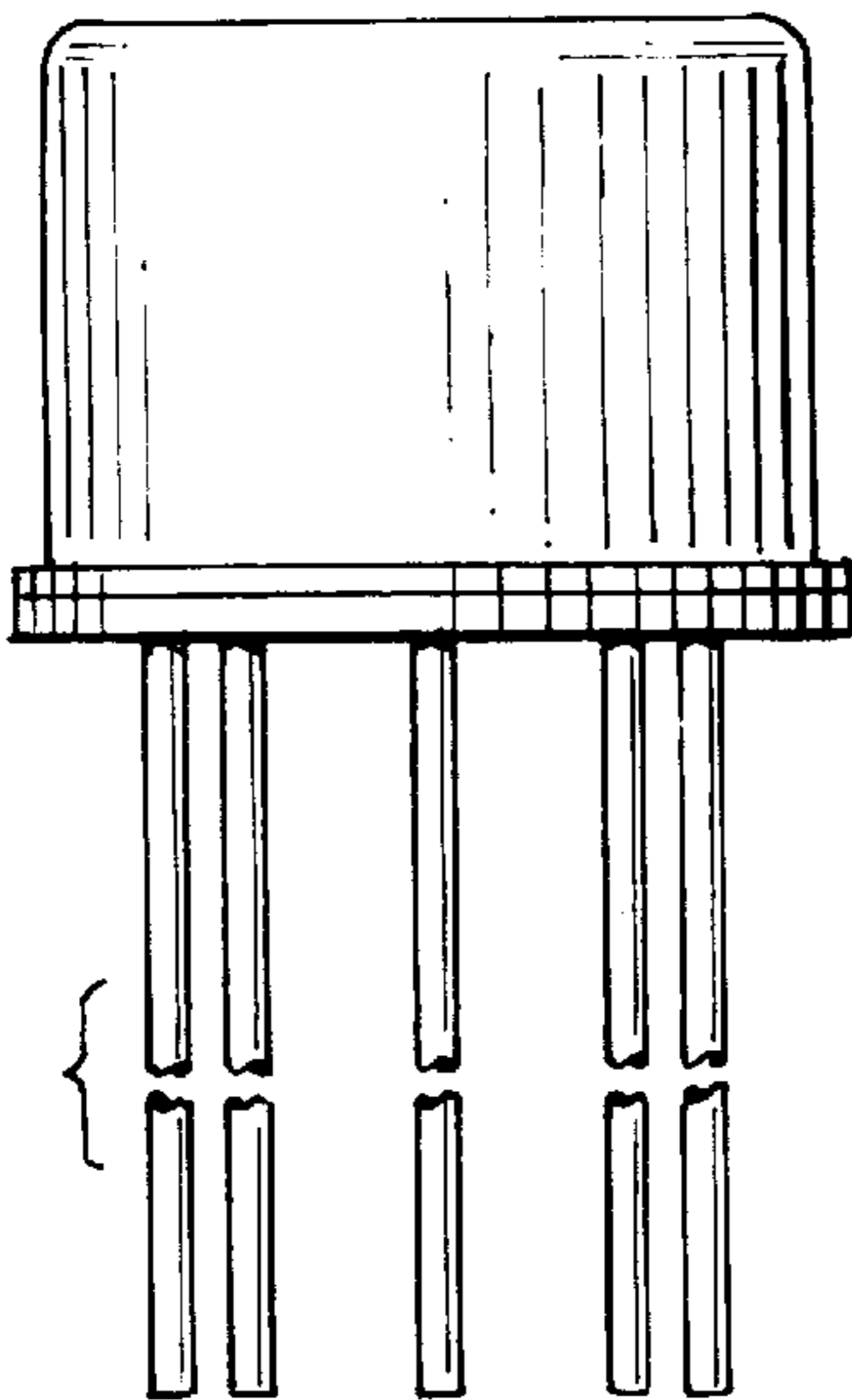


FIG. 4

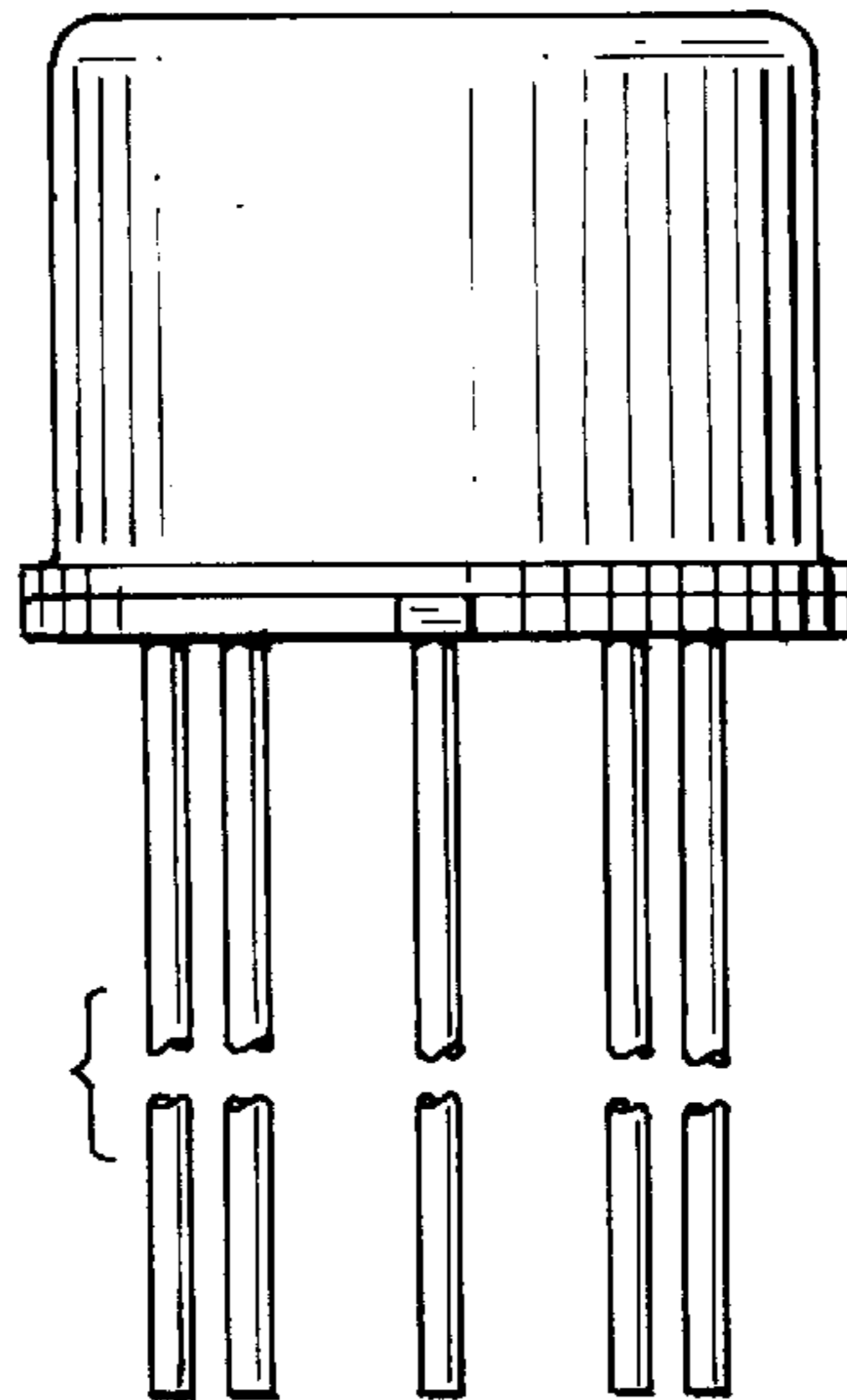


FIG. 5

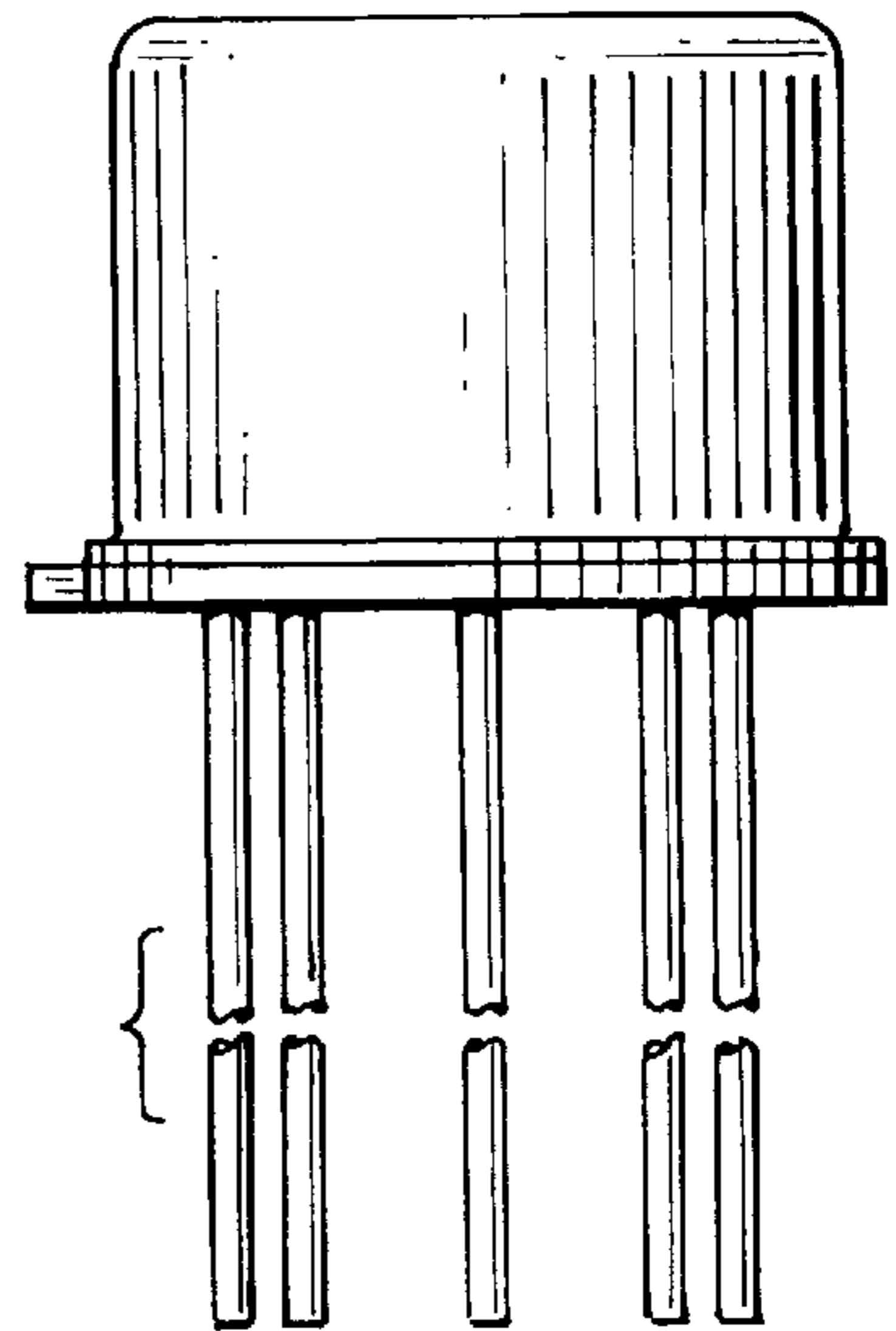


FIG. 6

