



US00D401871S

**United States Patent** [19]  
**Edwards**

[11] **Patent Number: Des. 401,871**  
[45] **Date of Patent: \*\*Dec. 1, 1998**

[54] **REUSABLE FLEXIBLE SURVEYOR'S  
BOUNDARY SPIKE WITH REMOVABLE  
STAKE**

5,207,175 5/1993 Andonian ..... 116/209

*Primary Examiner*—Antoine Duval Davis

[76] Inventor: **Ricky A. Edwards**, 7850 Owens St.,  
Sunland, Calif. 91040

[57] **CLAIM**

[\*\*] Term: **14 Years**

The ornamental design for a reusable flexible surveyor's  
boundary spike with removable stake, as shown and  
described.

[21] Appl. No.: **79,425**

**DESCRIPTION**

[22] Filed: **Nov. 17, 1997**

FIG. 1 is a front elevational view of the reusable flexible  
surveyor's boundary spike with removable stake showing  
my new design;

[51] **LOC (6) Cl.** ..... **10-04**

[52] **U.S. Cl.** ..... **D10/66**

FIG. 2 is a rear elevational view thereof;

[58] **Field of Search** ..... D10/61, 66, 74,  
D10/103; 116/209; 52/103, 155, 165, 166,  
736.1-736.4

FIG. 3 is a right side view thereof;

FIG. 4 is a left side view thereof;

FIG. 5 is a top plan view thereof; and,

FIG. 6 is a bottom plan view thereof.

[56] **References Cited**

In FIGS. 1-4, the stake portion of the spike is shown broken  
away to indicate indeterminate length.

**U.S. PATENT DOCUMENTS**

D. 246,513 11/1977 Garnean ..... D10/66

**1 Claim, 3 Drawing Sheets**

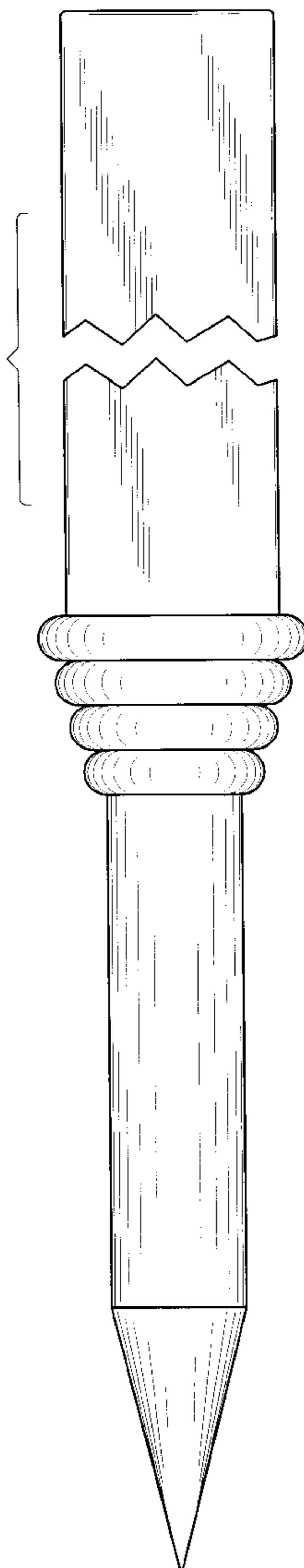


FIG. 1

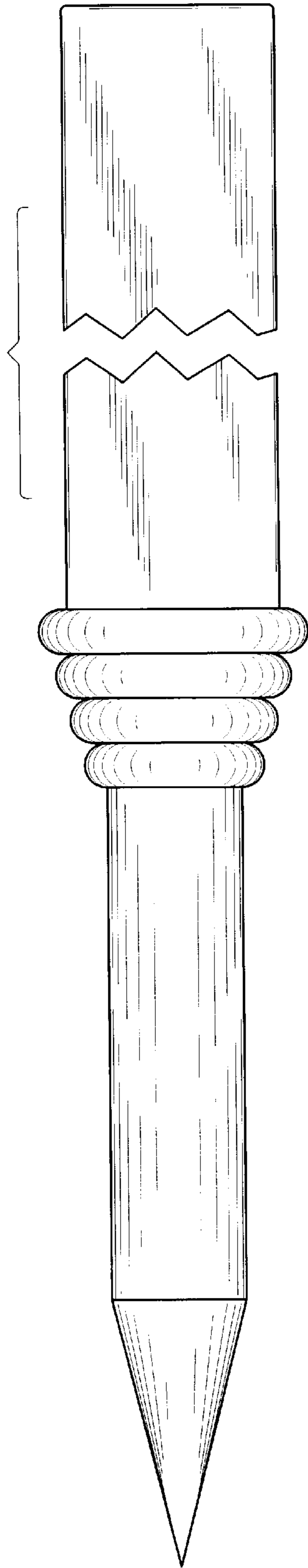


FIG. 2

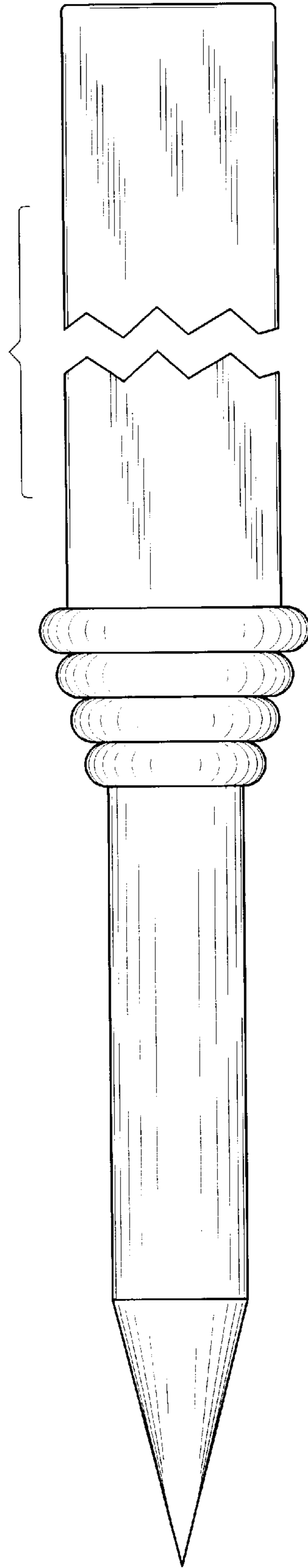


FIG. 3

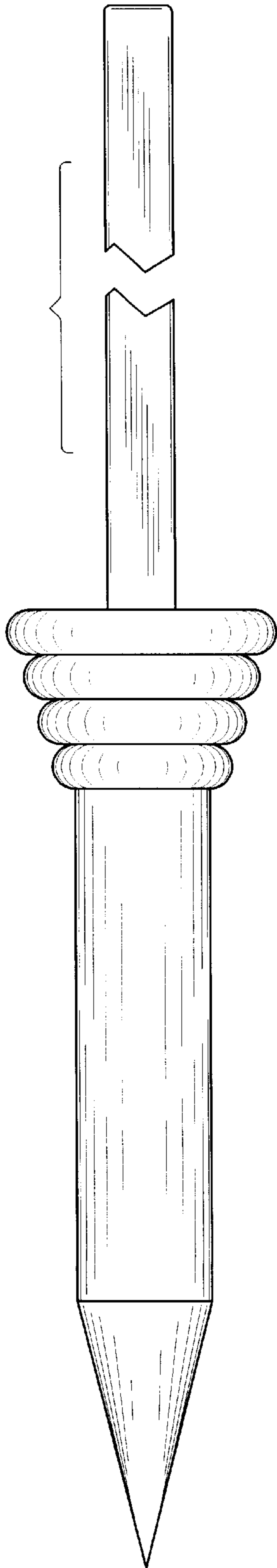
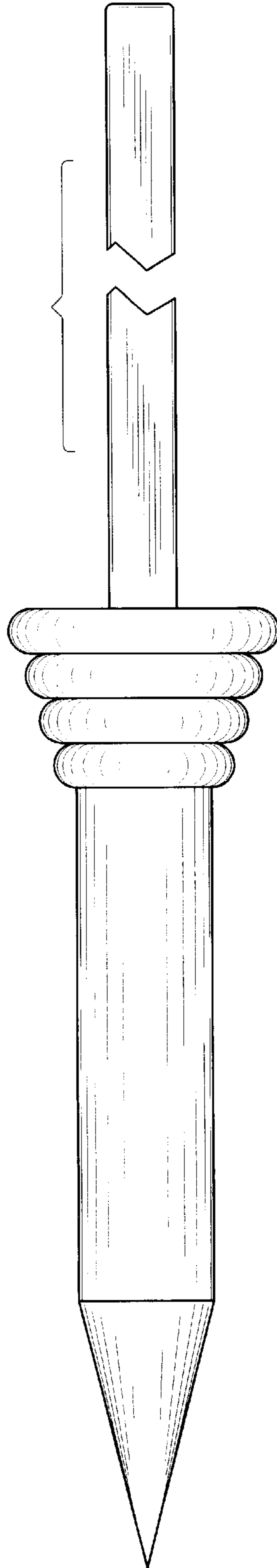
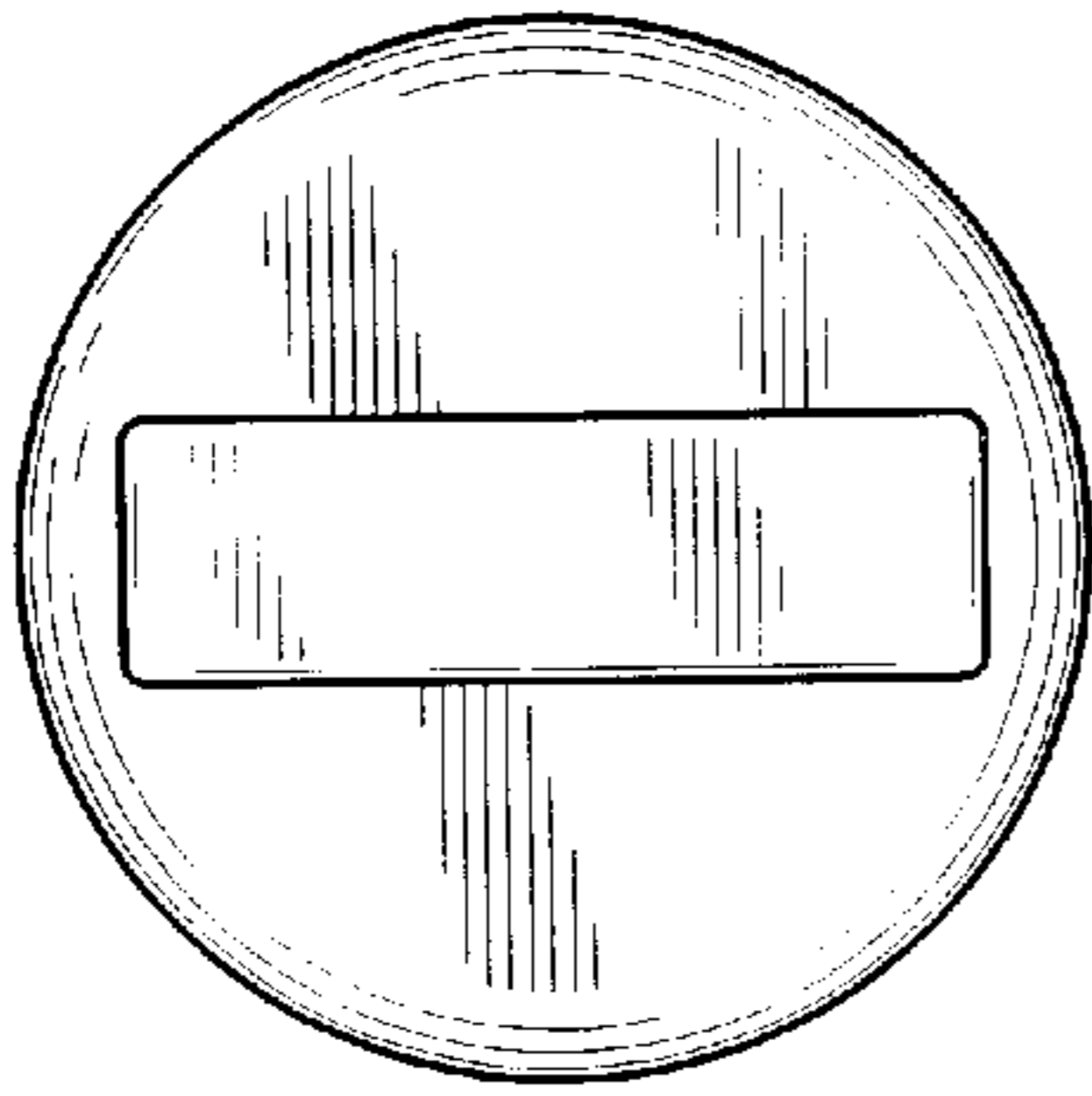


FIG. 4



*FIG. 5*



*FIG. 6*

