



US00D401870S

United States Patent [19]
Veggerby

[11] **Patent Number: Des. 401,870**

[45] **Date of Patent: **Dec. 1, 1998**

[54] **WOOD THICKNESS INDICATOR**

[75] Inventor: **Ove B. Veggerby**, 9941 N.E. Valley Rd., Bainbridge Island, Wash. 98110

[73] Assignee: **Ove B. Veggerby**, Bainbridge Island, Wash.

[**] Term: **14 Years**

[21] Appl. No.: **62,765**

[22] Filed: **Nov. 22, 1996**

[51] **LOC (6) Cl.** **10-04**

[52] **U.S. Cl.** **D10/65; D10/70**

[58] **Field of Search** **D10/46, 65, 70; 33/832, 833, 834, 835, 836, 837, 838**

[56] **References Cited**

U.S. PATENT DOCUMENTS

2,976,762 3/1961 Imshaug 33/836 X

Primary Examiner—Antoine Duval Davis

[57] **CLAIM**

The ornamental design for a wood thickness indicator, as shown.

DESCRIPTION

This FIGURE is a front, top and left side perspective view of a wood thickness indicator showing my new design. The views not shown are identical to those shown.

1 Claim, 1 Drawing Sheet

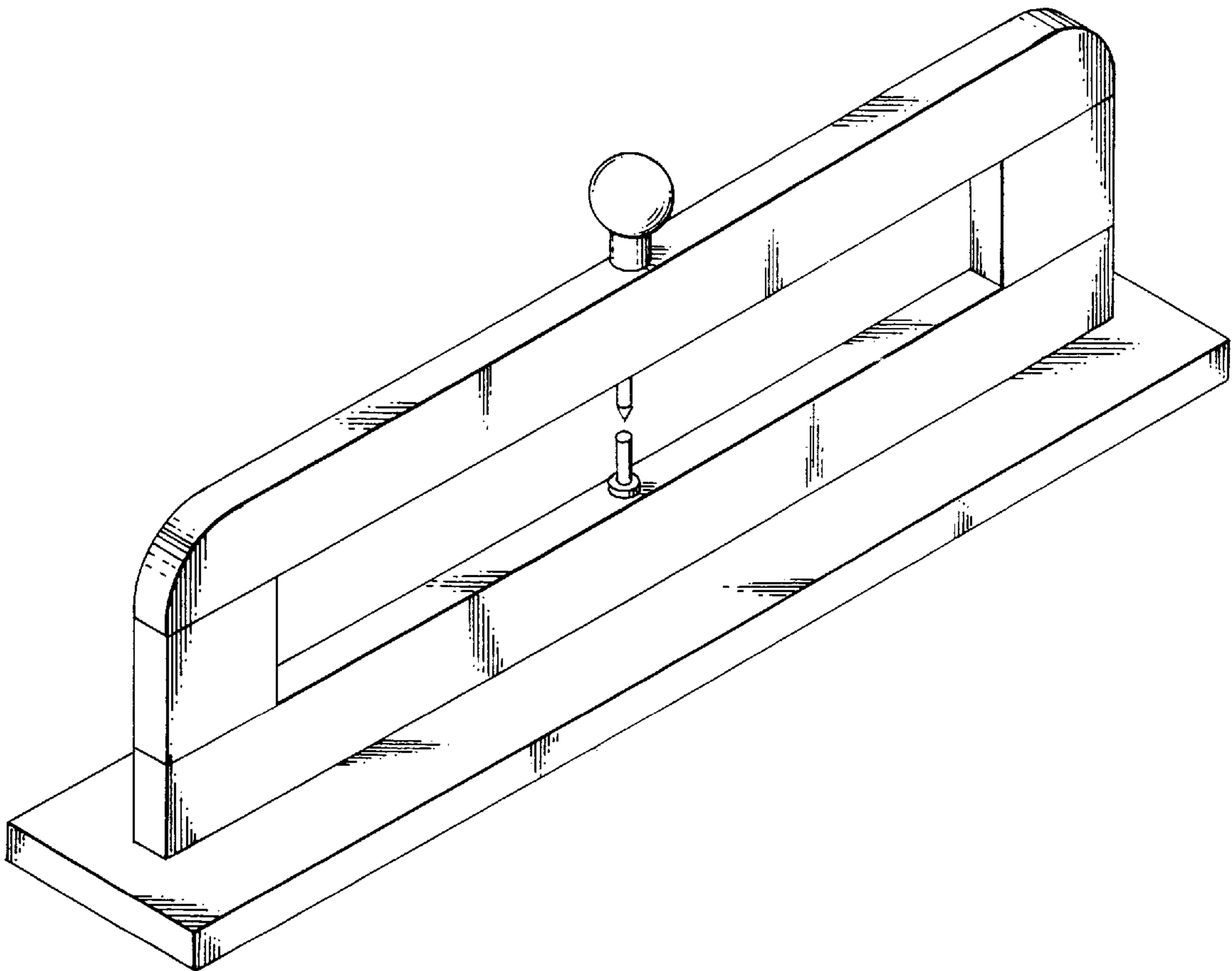


FIG. 1

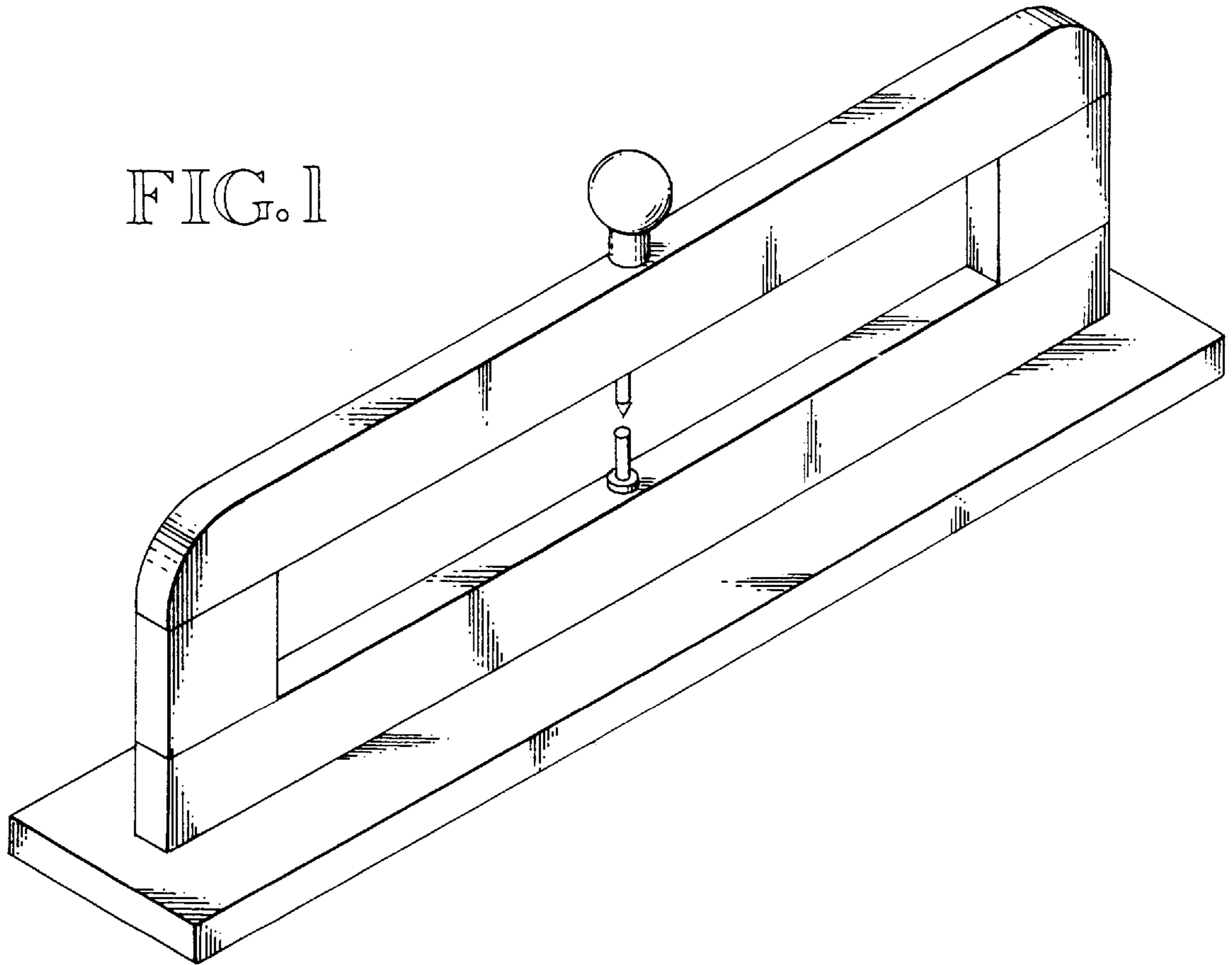


FIG. 2

