



US00D401868S

**United States Patent** [19]  
**Robbins**

[11] **Patent Number: Des. 401,868**

[45] **Date of Patent: \*\*Dec. 1, 1998**

[54] **MEASURING CANISTER**

*Attorney, Agent, or Firm—Locke Reynolds*

[76] Inventor: **Edward S. Robbins**, 128 Hazelwood  
La., Florence, Ala. 35630

[57] **CLAIM**

[\*\*] Term: **14 Years**

The ornamental design for a measuring canister, as shown and described.

[21] Appl. No.: **80,070**

**DESCRIPTION**

[22] Filed: **Nov. 26, 1997**

FIG. 1 is a perspective view of a measuring canister in accordance with my design;

[51] **LOC (6) Cl.** ..... **10-04**

FIG. 2 is a top plan view of the measuring canister shown in FIG. 1;

[52] **U.S. Cl.** ..... **D10/46.2; D7/612**

FIG. 3 is a side elevation view of the left side of the measuring canister shown in FIG. 1, the right side being identical;

[58] **Field of Search** ..... D10/46.2, 46.3;  
D7/312, 317, 318, 320-322, 612-615; 222/158,  
173, 454-456, 465.1; 73/426-429

FIG. 4 is a bottom plan view of the measuring canister shown in FIG. 1;

[56] **References Cited**

**U.S. PATENT DOCUMENTS**

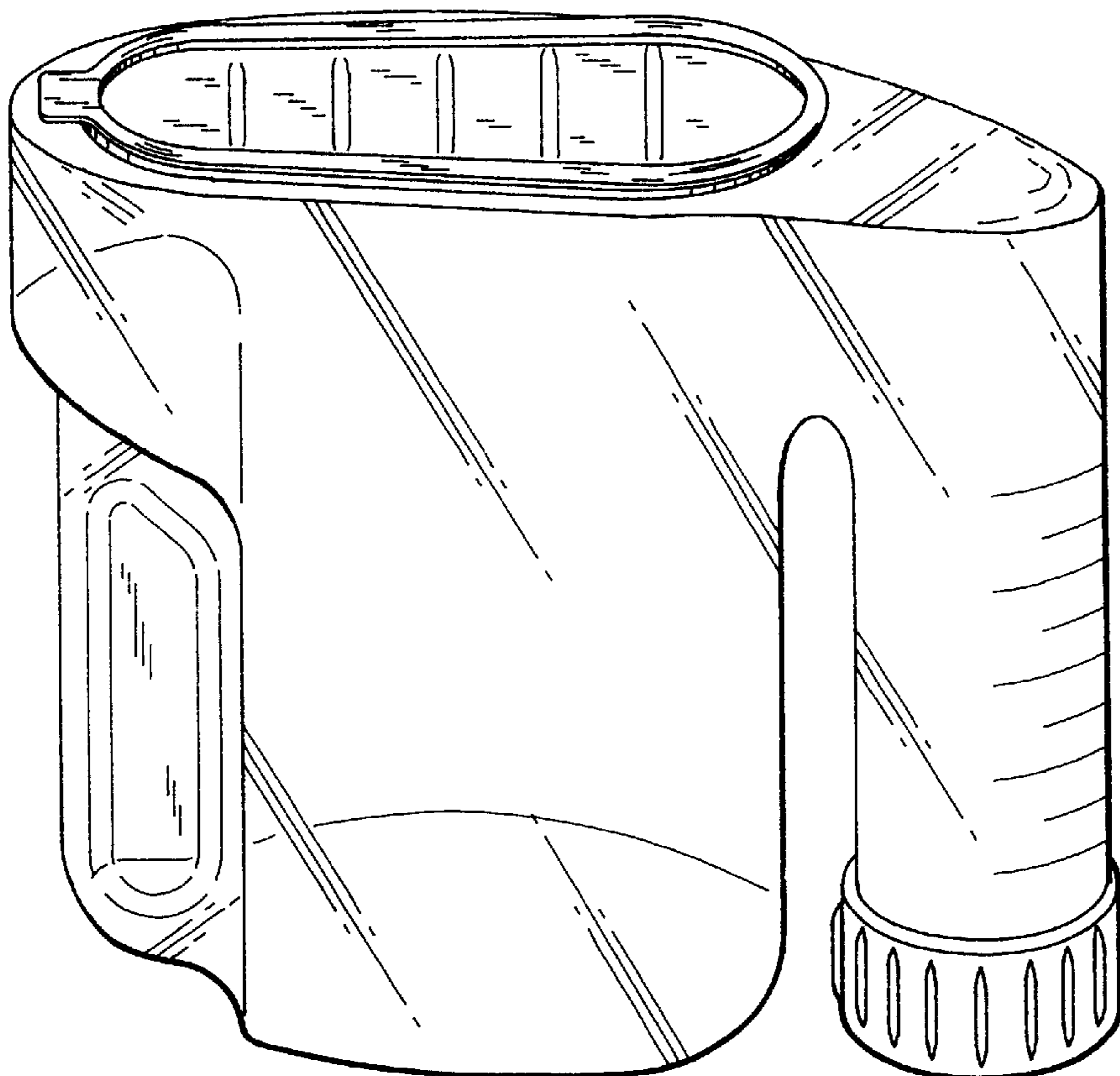
- D. 365,963 1/1996 Feer ..... D7/321
- D. 369,755 5/1996 Burcham et al. .... D10/46.2
- 3,948,105 4/1976 Johnson ..... 73/427

FIG. 5 is an elevation view of the measuring canister taken from the left side of FIG. 3; and,

FIG. 6 is an elevation view of the measuring canister taken from the right side of FIG. 3.

*Primary Examiner—Terry A. Wallace*

**1 Claim, 3 Drawing Sheets**



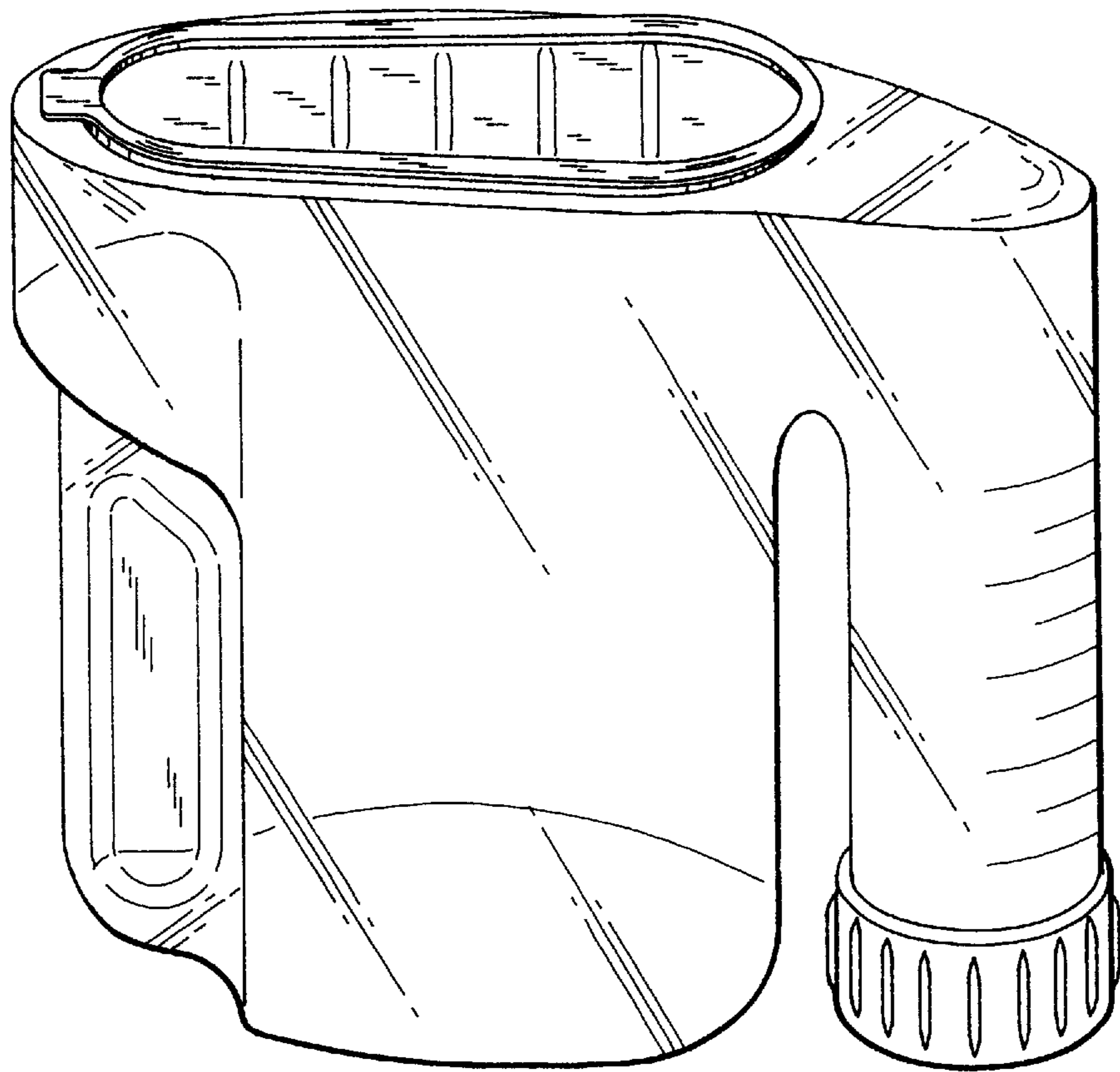


FIG. 1

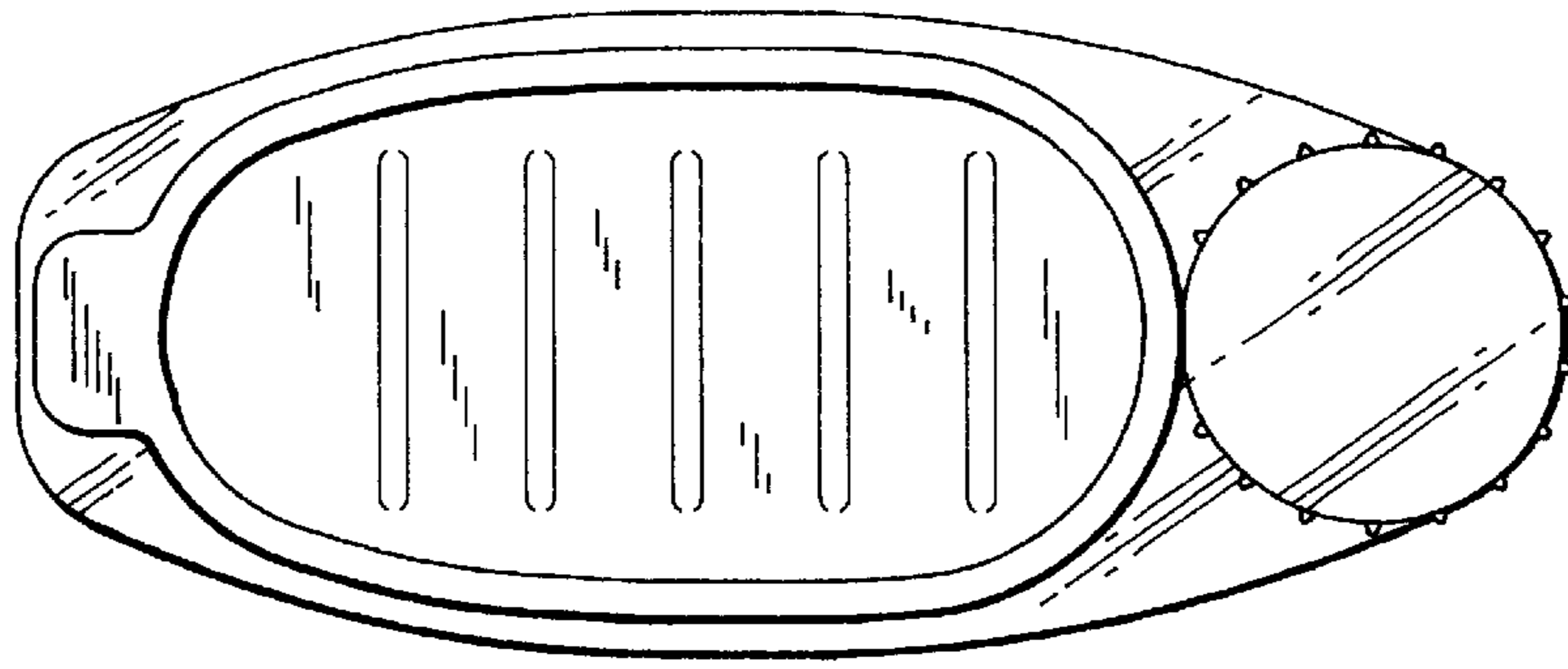


FIG. 2

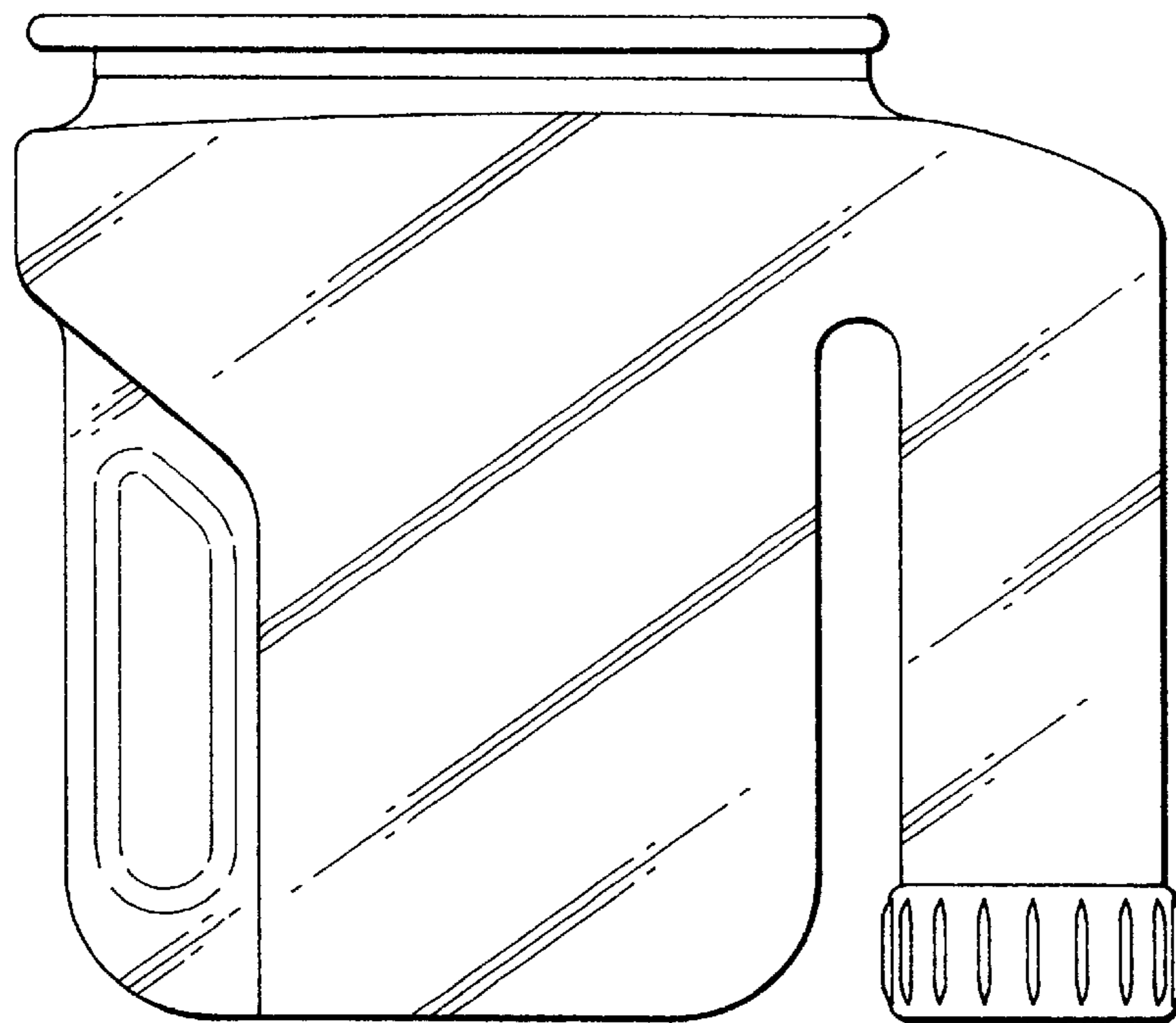


FIG. 3

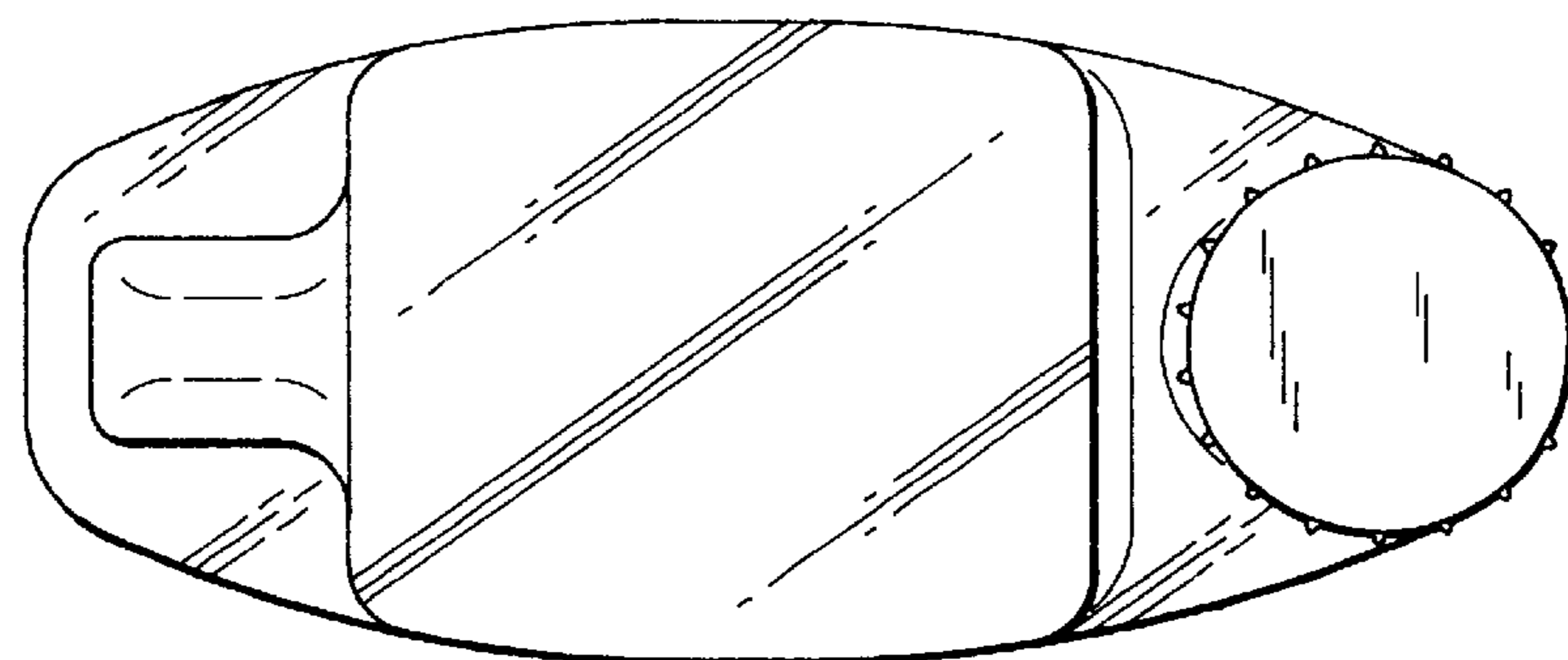


FIG. 4

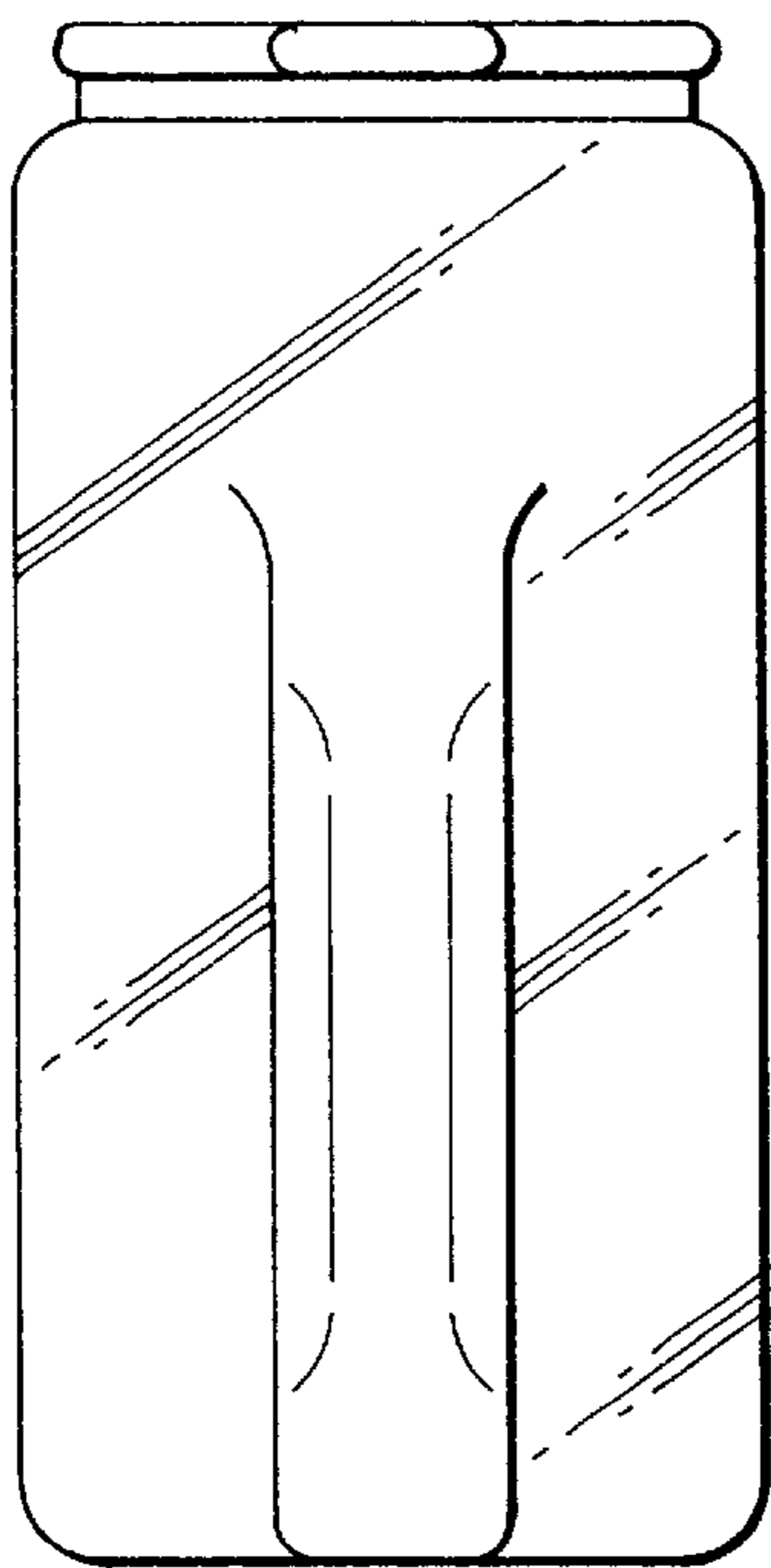


FIG. 5

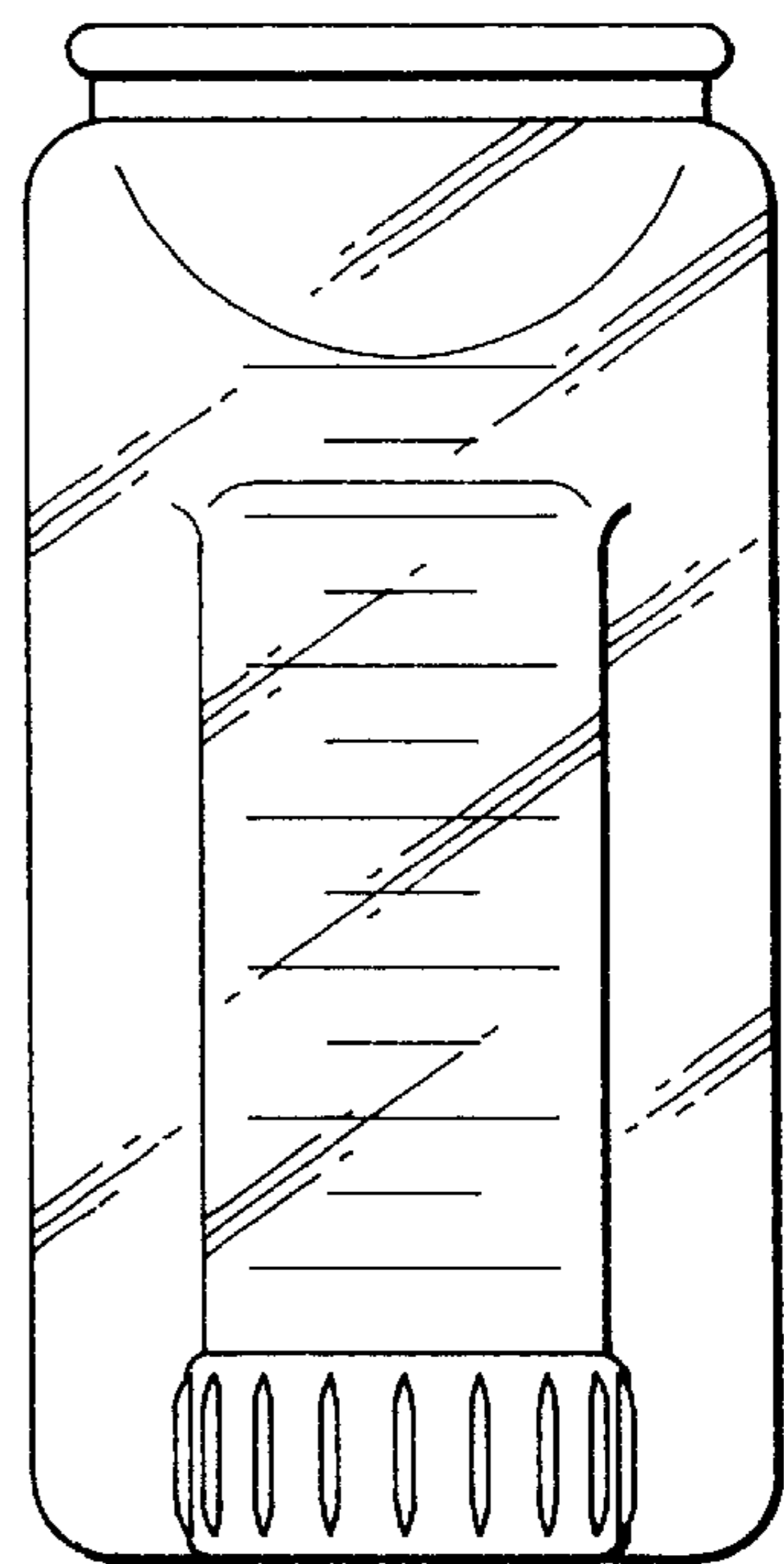


FIG. 6