



US00D401861S

# United States Patent [19] Riley

[11] **Patent Number: Des. 401,861**

[45] **Date of Patent: \*\*Dec. 1, 1998**

[54] **WATCH BEZEL AND CASING**

[75] Inventor: **Judith Reichel Riley**, Goshen, Conn.

[73] Assignee: **Timex Corporation**, Middlebury, Conn.

[\*\*] Term: **14 Years**

[21] Appl. No.: **53,787**

[22] Filed: **Apr. 30, 1996**

[51] **LOC (6) Cl.** ..... **10-02**

[52] **U.S. Cl.** ..... **D10/30; D10/39**

[58] **Field of Search** ..... D10/1-40, 122-132;  
368/280-282, 276-277, 285

[56] **References Cited**

**U.S. PATENT DOCUMENTS**

D. 295,837	5/1988	Takeichi	.....	D10/39
D. 303,091	8/1989	Goto	.....	D10/30
D. 316,983	5/1991	Houlihan	.....	D10/39
D. 325,535	4/1992	Yamamoto	.....	D10/39
D. 348,010	6/1994	Riley	.....	D10/30

D. 349,653	8/1994	Giardiello	.....	D10/30
D. 350,072	8/1994	Hitter	.....	D10/30 X
D. 355,372	2/1995	Riley	.....	D10/30
D. 362,630	9/1995	Riley	.....	D10/38 X

*Primary Examiner*—Nelson C. Holtje  
*Attorney, Agent, or Firm*—Paul R. Juhez

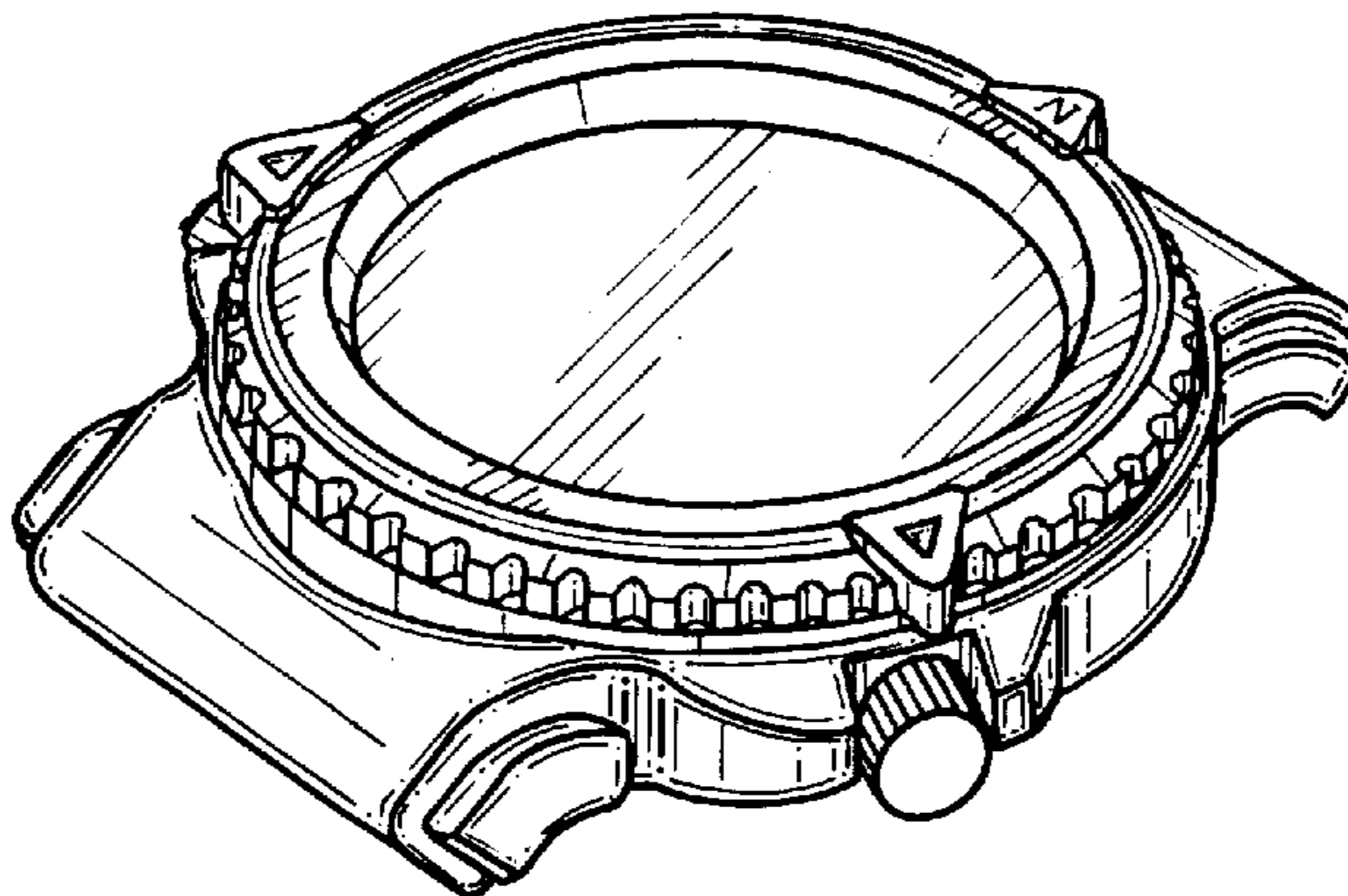
[57] **CLAIM**

The ornamental design for a “watch bezel and casing,” as shown and described.

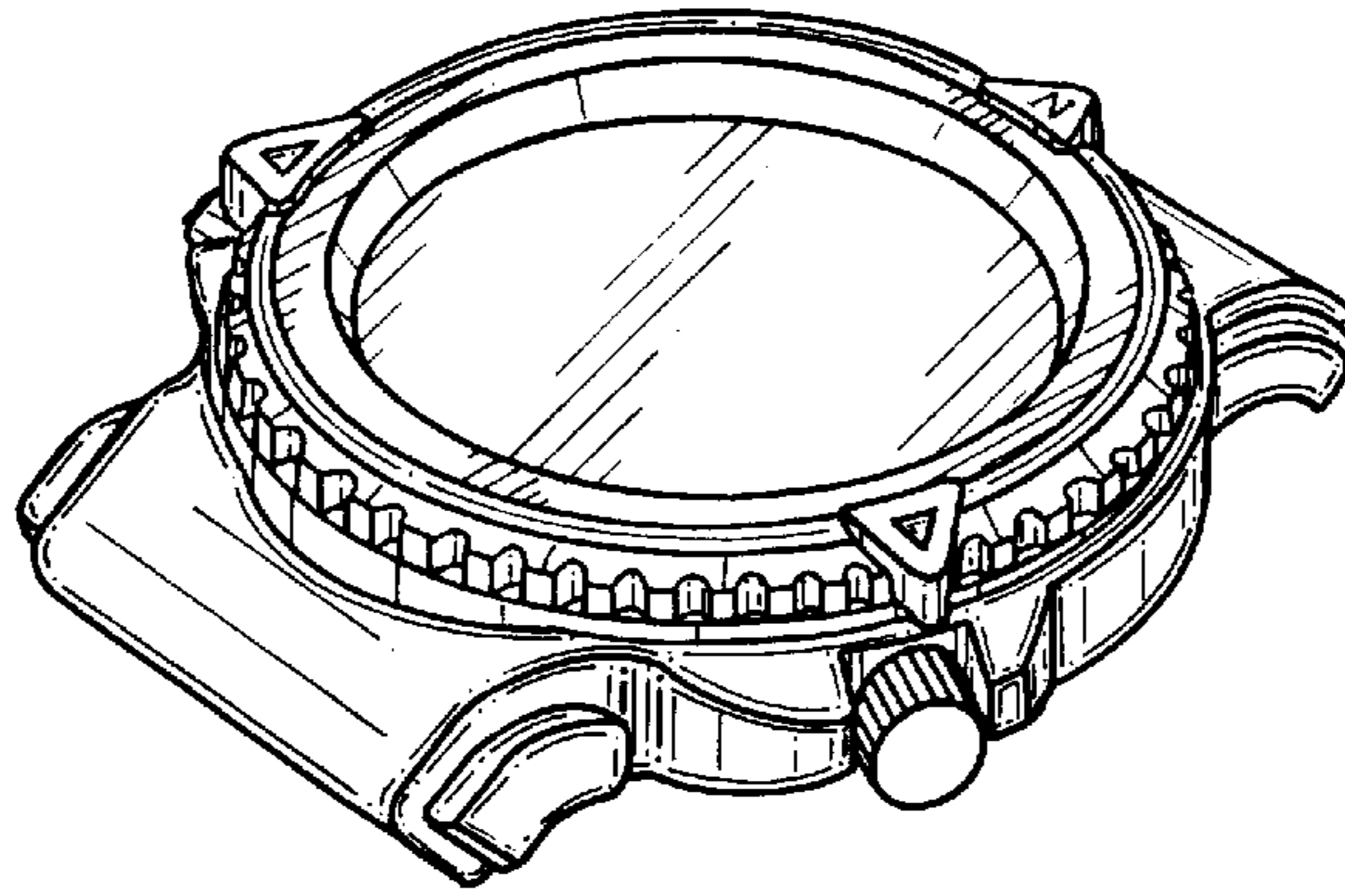
**DESCRIPTION**

FIG. 1 is a perspective elevational view of a “watch bezel and casing”;  
FIG. 2 is a left side elevational view thereof;  
FIG. 3 is a top plan view thereof;  
FIG. 4 is a right side elevational view thereof;  
FIG. 5 is an end elevational view thereof;  
FIG. 6 is the other end elevational view thereof; and,  
FIG. 7 is bottom plan view thereof.

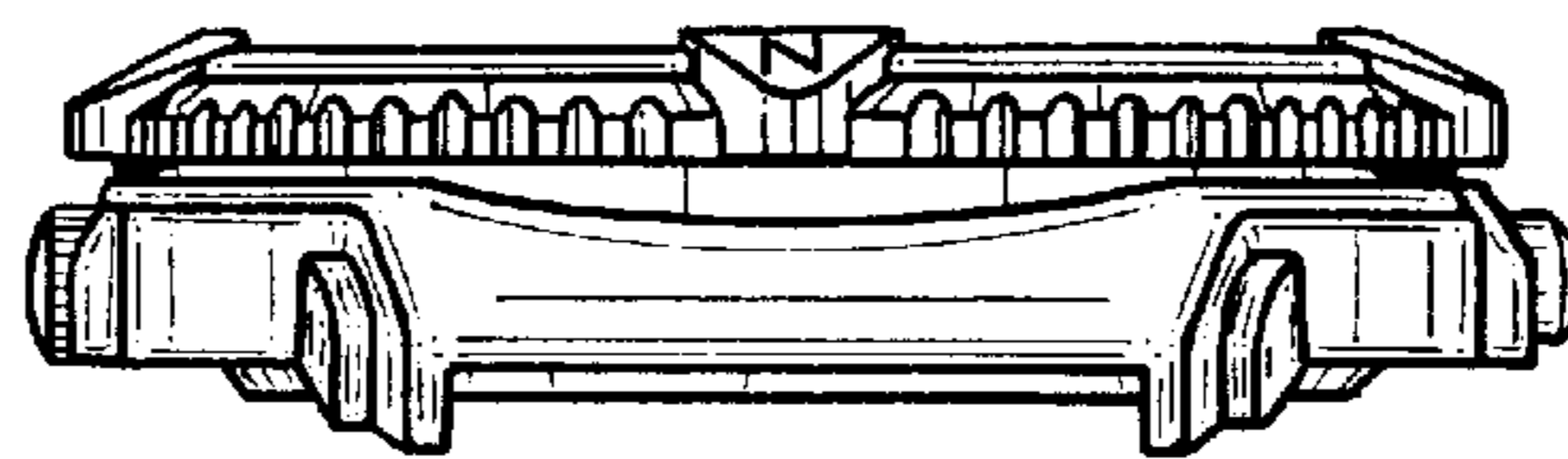
**1 Claim, 2 Drawing Sheets**



*FIG. 1*



*FIG. 6*



*FIG. 7*

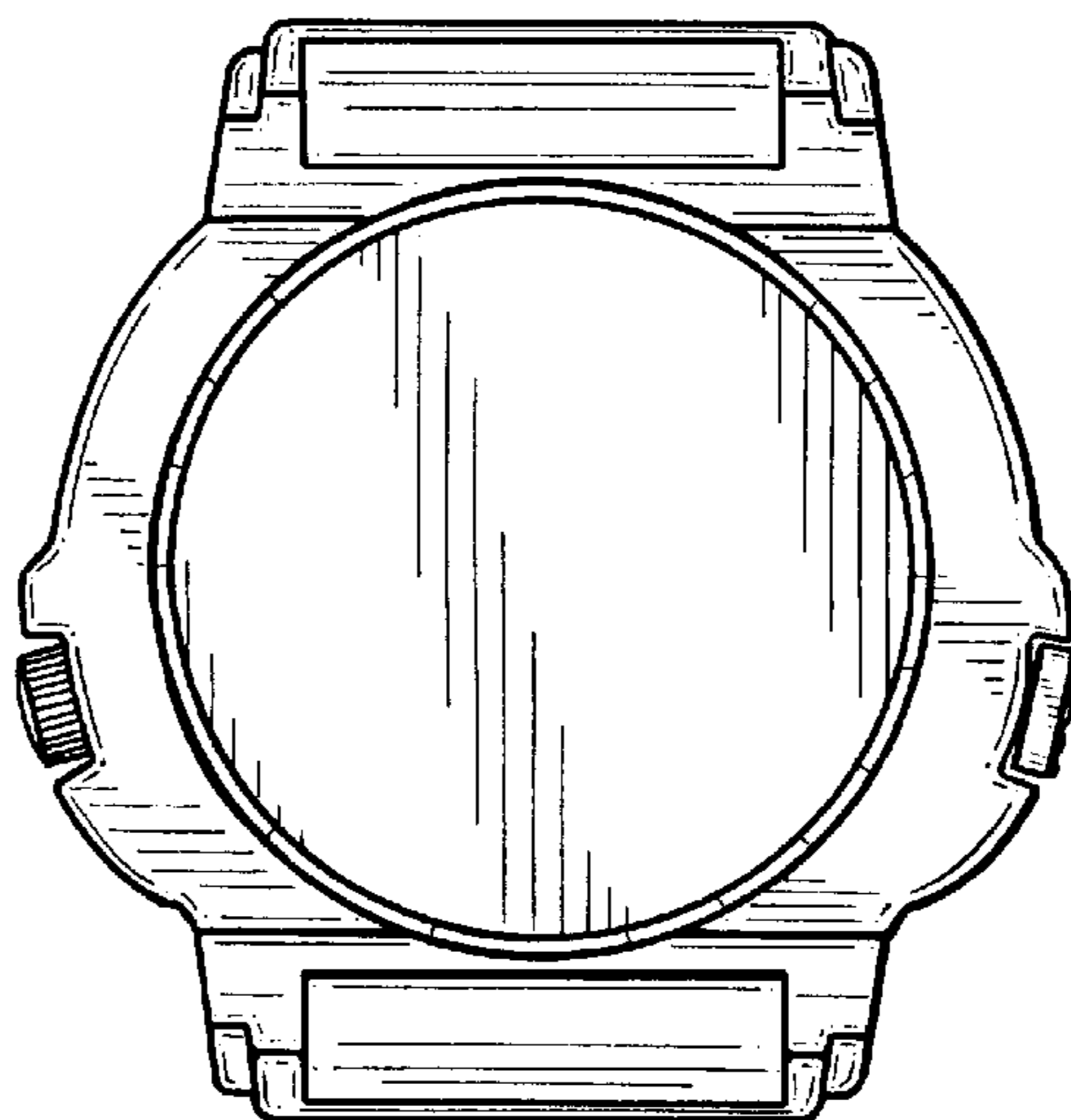


FIG. 4

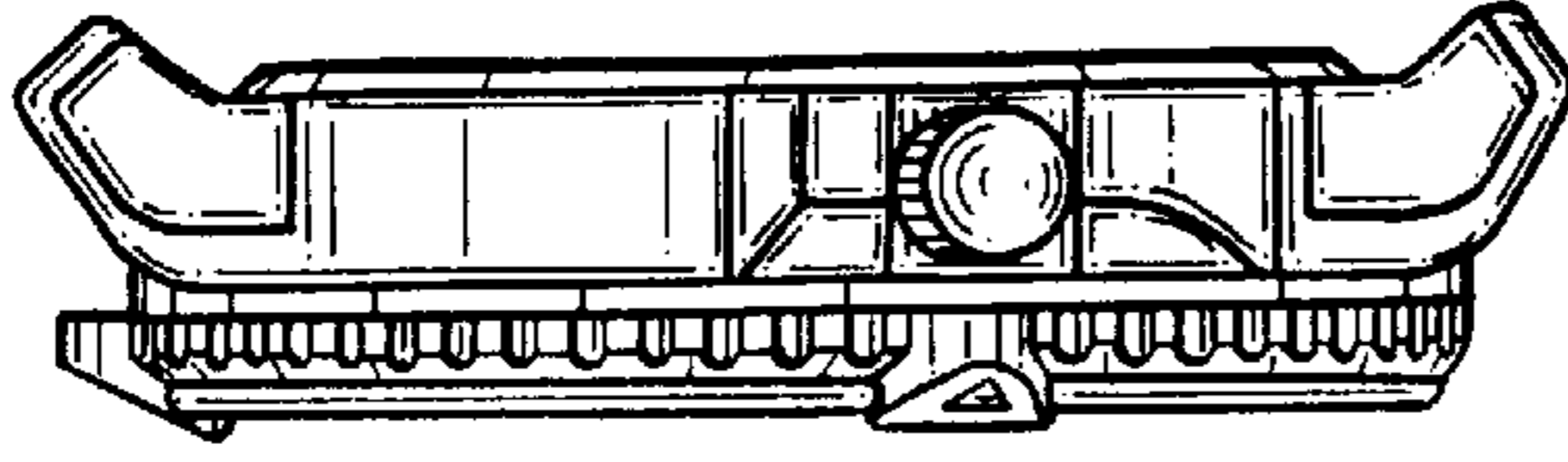


FIG. 3

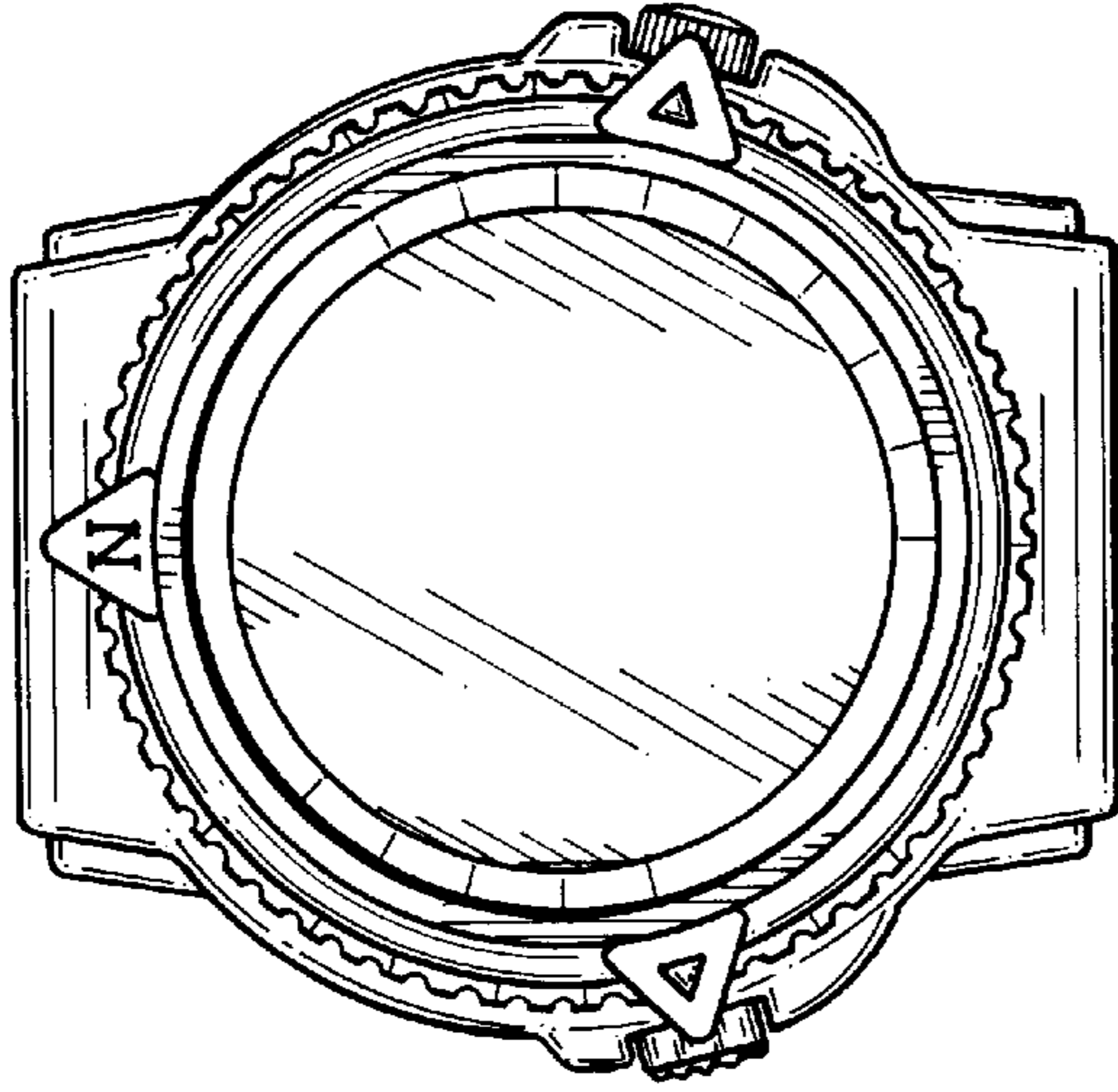


FIG. 2

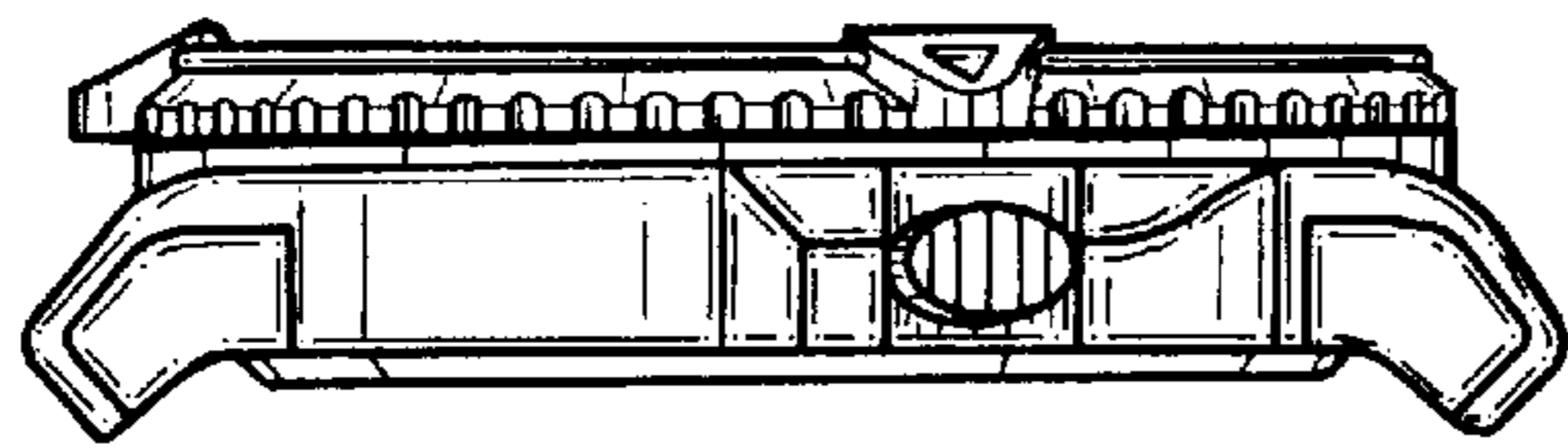


FIG. 5

