



US00D401852S

United States Patent [19]

[11] **Patent Number: Des. 401,852**

Teags

[45] **Date of Patent: **Dec. 1, 1998**

[54] **HALF SIZE ASPARAGUS BOX**

4,105,152 8/1978 Eldward 229/120 X
4,801,077 1/1989 Sweatt, III et al. 229/125.32 X

[75] Inventor: **William G. Teags**, Cave Creek, Ariz.

FOREIGN PATENT DOCUMENTS

[73] Assignee: **Advanced Package Engineering, Inc.**,
Phoenix, Ariz.

0409366 1/1991 European Pat. Off. 229/125.32

[**] Term: **14 Years**

Primary Examiner—Ted Shooman
Assistant Examiner—Nanda Bondade
Attorney, Agent, or Firm—Cahill, Sutton & Thomas, P.L.C.

[21] Appl. No.: **75,005**

[57] CLAIM

[22] Filed: **Aug. 11, 1997**

The ornamental design for a half size asparagus box, as shown and described.

[51] **LOC (6) Cl. 09-03**

DESCRIPTION

[52] **U.S. Cl. D9/431; D9/432**

[58] **Field of Search** D9/346, 415, 418,
D9/431, 432, 433; 206/589, 590; 229/112,
113, 120, 125.32

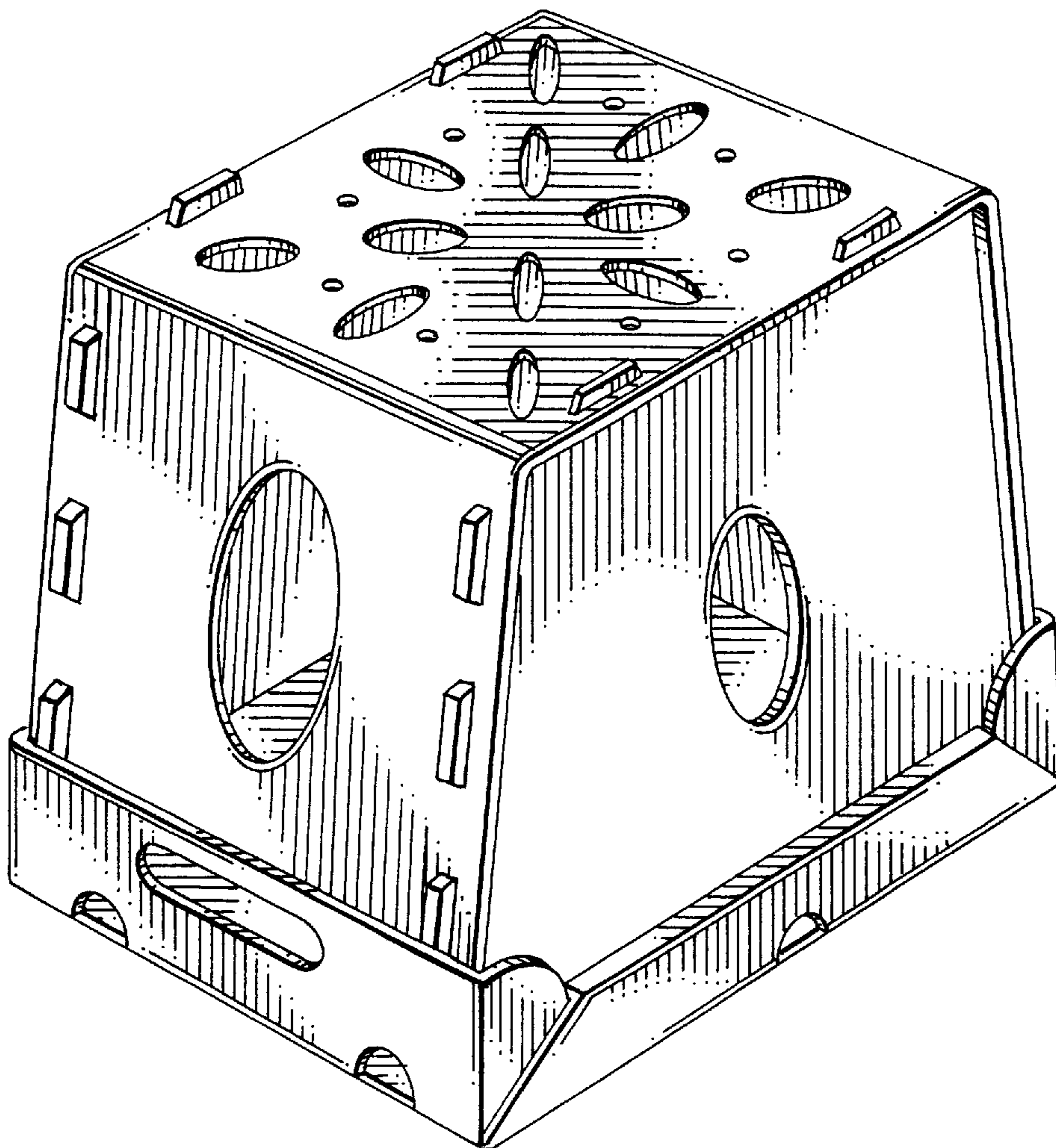
FIG. 1 is a right front perspective view of a half size asparagus box showing my new design;
FIG. 2 is a top plan view thereof;
FIG. 3 is a bottom plan view thereof;
FIG. 4 is a left end elevational view; the right end elevational view being a mirror image thereof; and,
FIG. 5 is a front elevational view; the rear elevational view being a mirror image thereof.

[56] References Cited

U.S. PATENT DOCUMENTS

D. 356,253	3/1995	Bacchetti et al.	D9/431 X
2,950,850	8/1960	Corcoran	229/120 X
3,369,728	2/1968	Royce	229/120 X
3,863,829	2/1975	Merrill	229/120 X

1 Claim, 2 Drawing Sheets



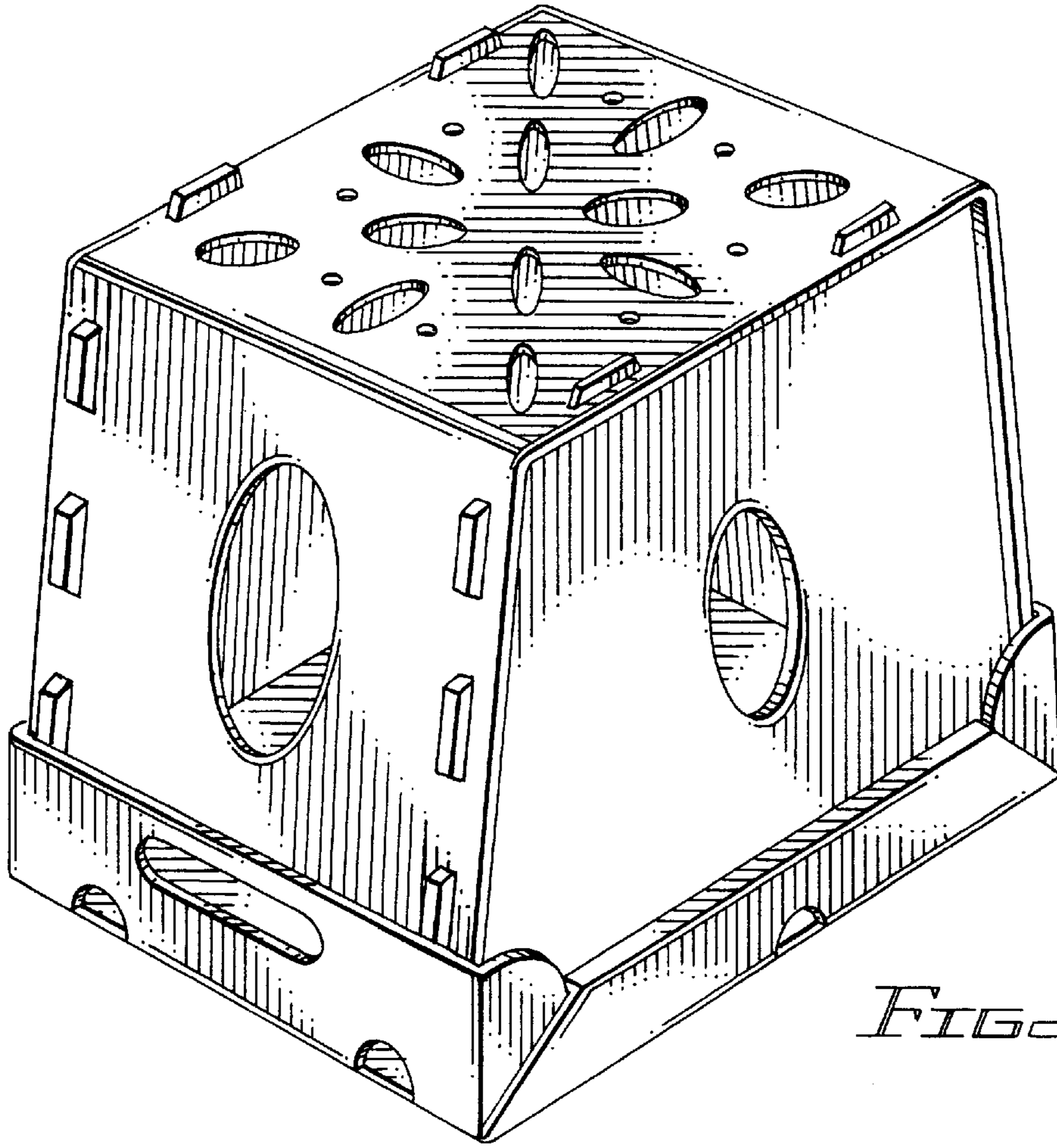


FIG. 1

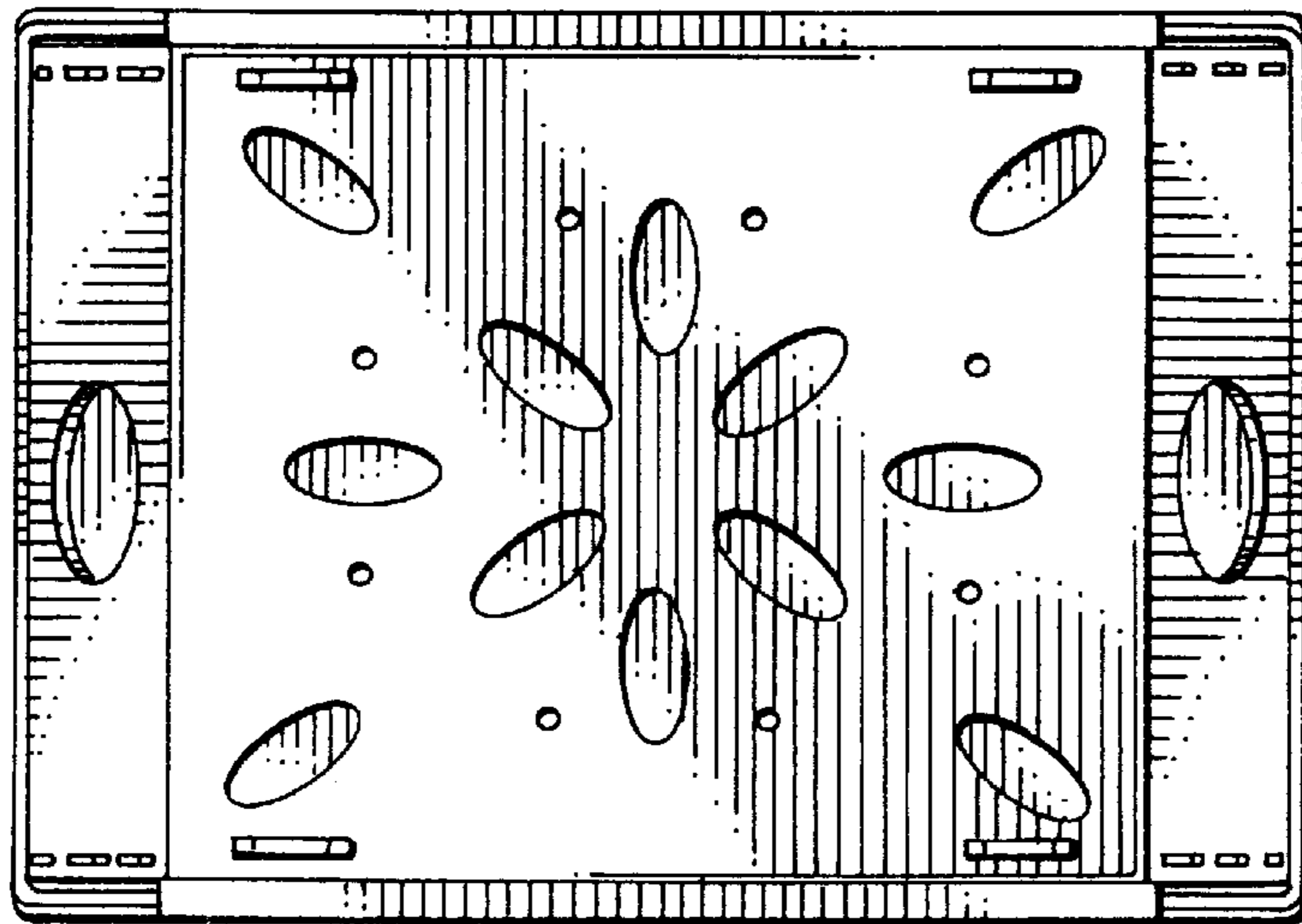


FIG. 2

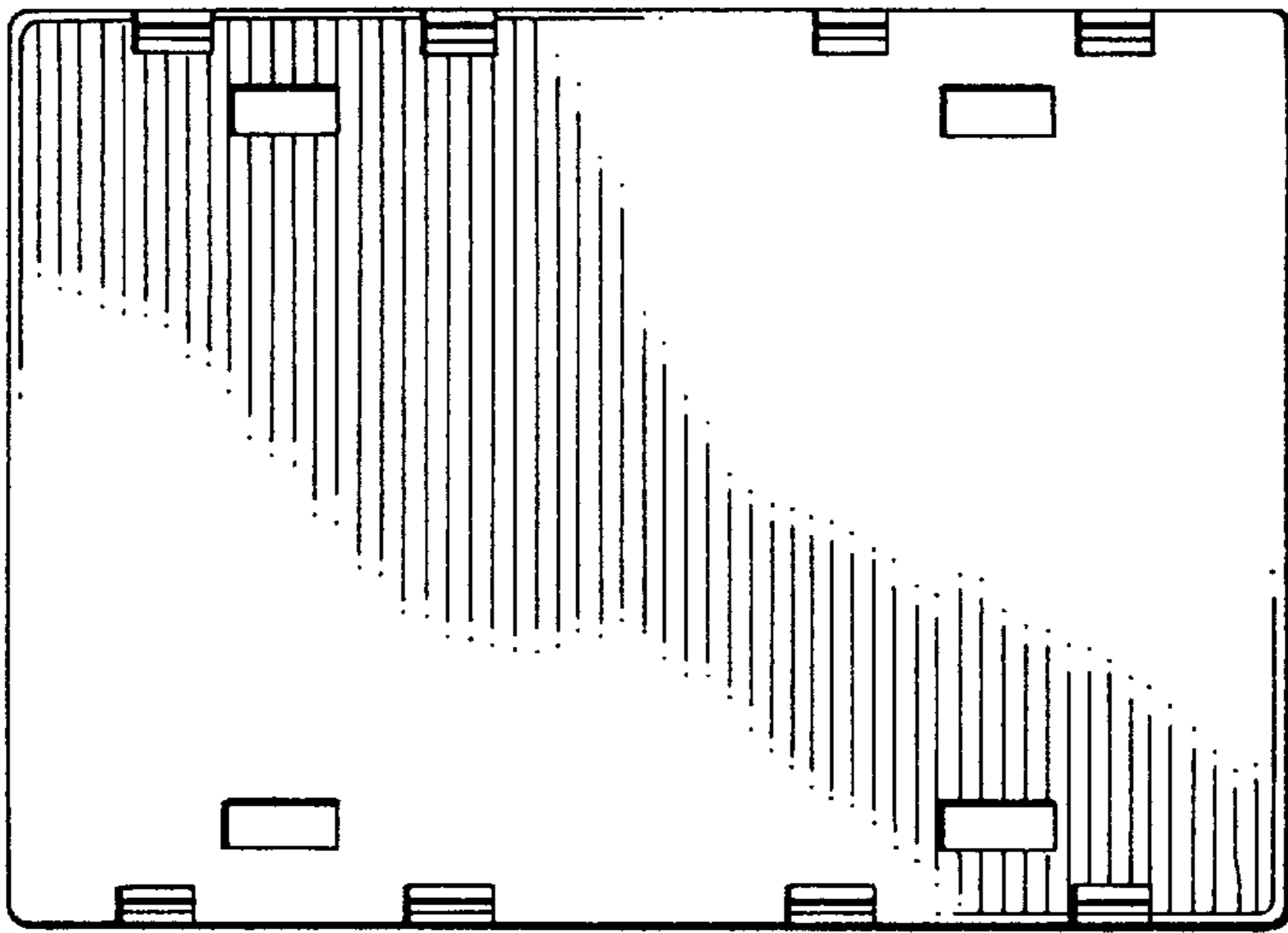


FIG. 3

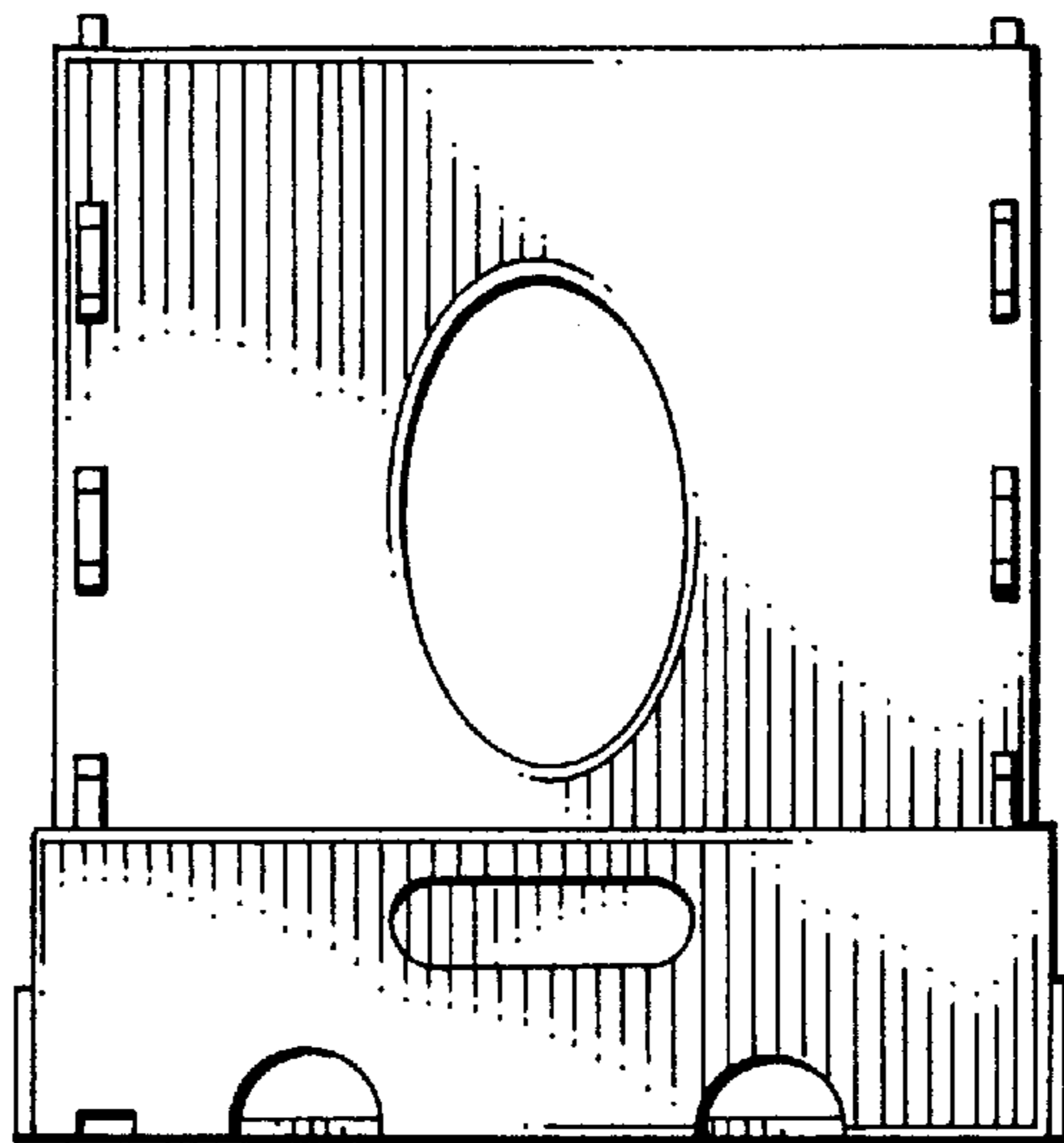


FIG. 4

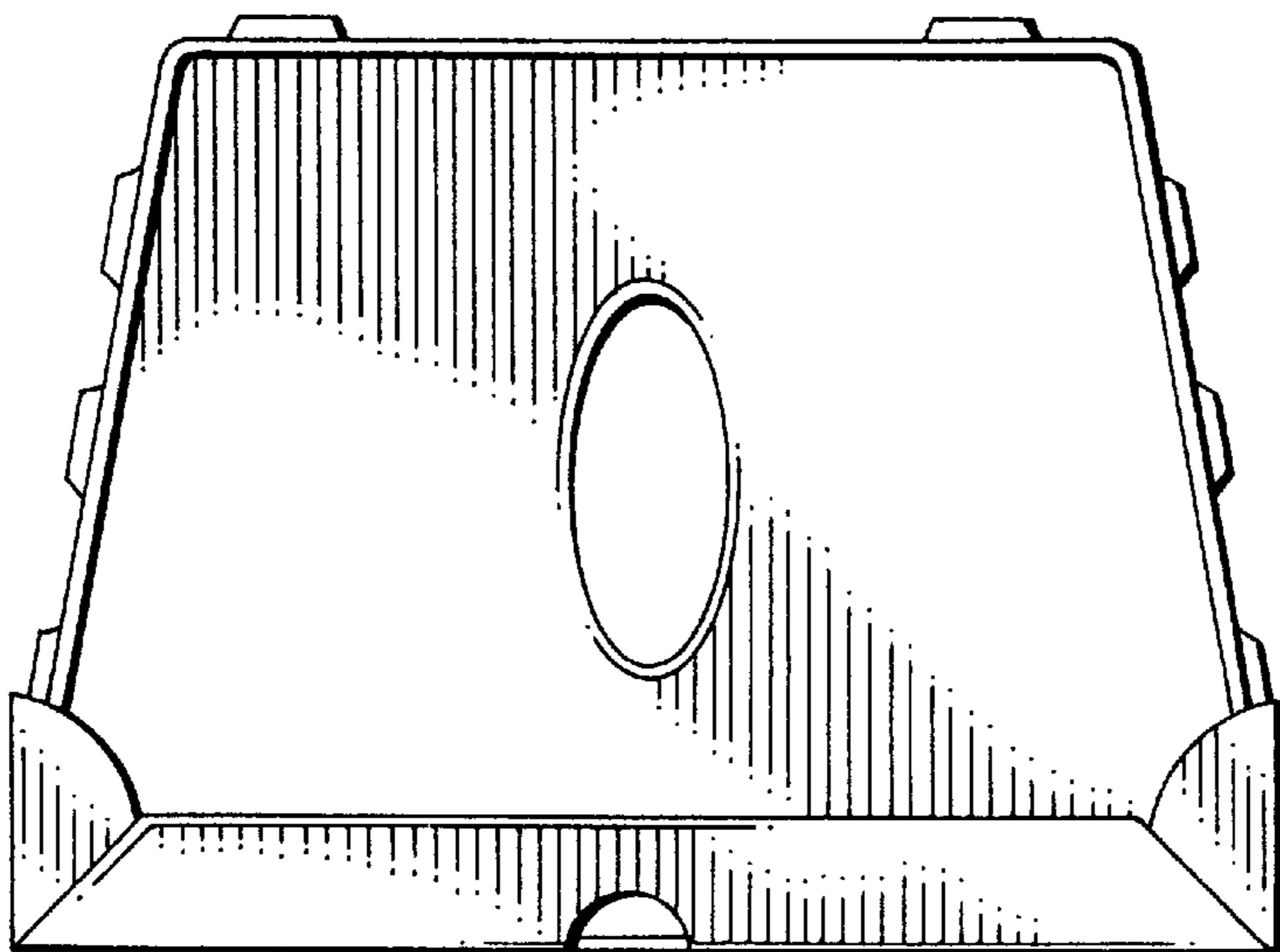


FIG. 5