



US00D401847S

United States Patent [19] Bernard

[11] **Patent Number: Des. 401,847**
[45] **Date of Patent: **Dec. 1, 1998**

[54] **COMBINED BOTTLE AND STAND**

[75] Inventor: **Valérie Bernard**, Paris, France

[73] Assignee: **Beaute Prestige International**, Paris, France

[**] Term: **14 Years**

[21] Appl. No.: **76,433**

[22] Filed: **Sep. 9, 1997**

[30] **Foreign Application Priority Data**

Mar. 10, 1997 [XH] Hague Agreement DM/039 479

[51] **LOC (6) Cl.** **09-01**

[52] **U.S. Cl.** **D9/307; D9/540; D9/571**

[58] **Field of Search** **D9/307, 310, 319, D9/571, 558, 540; 206/457; 215/400**

[56] **References Cited**

U.S. PATENT DOCUMENTS

D. 91,609	2/1934	Botelho	D9/521 X
D. 375,677	11/1996	Gaultier	D9/311
D. 380,390	7/1997	Varlet	D9/558
D. 387,281	12/1997	Thompson	D9/571 X

Primary Examiner—Terry A. Wallace
Attorney, Agent, or Firm—Dennison, Meserole, Pollack & Scheiner

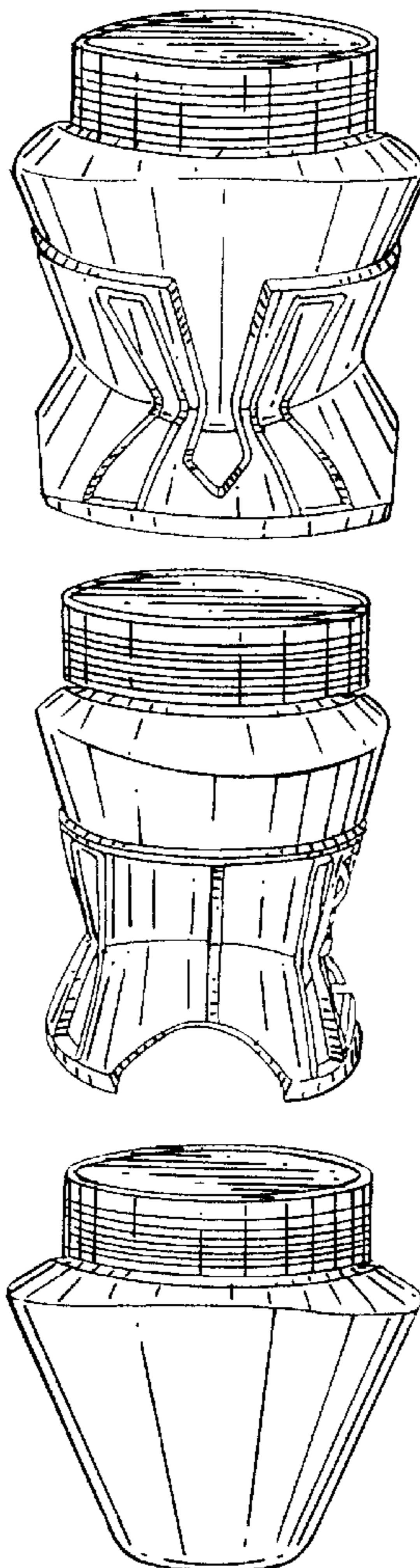
[57] **CLAIM**

The ornamental design for a combined bottle and stand, as shown described.

DESCRIPTION

FIG. 1 is a front elevational view of the combined bottle and stand showing my new design;
FIG. 2 is a rear elevation view thereof;
FIG. 3 is a right side view thereof, the opposite side being a mirror image thereof;
FIG. 4 is a top plan view thereof;
FIG. 5 is a bottom plan view thereof;
FIG. 6 is a top perspective view thereof;
FIG. 7 is a front elevation view of the box removed from the stand, the rear view being a duplicate thereof;
FIG. 8 is a right side view thereof, the left side view being a duplicate thereof;
FIG. 9 is a top plan view thereof;
FIG. 10 is a bottom plan view thereof; and,
FIG. 11 is a top perspective view thereof.

1 Claim, 3 Drawing Sheets



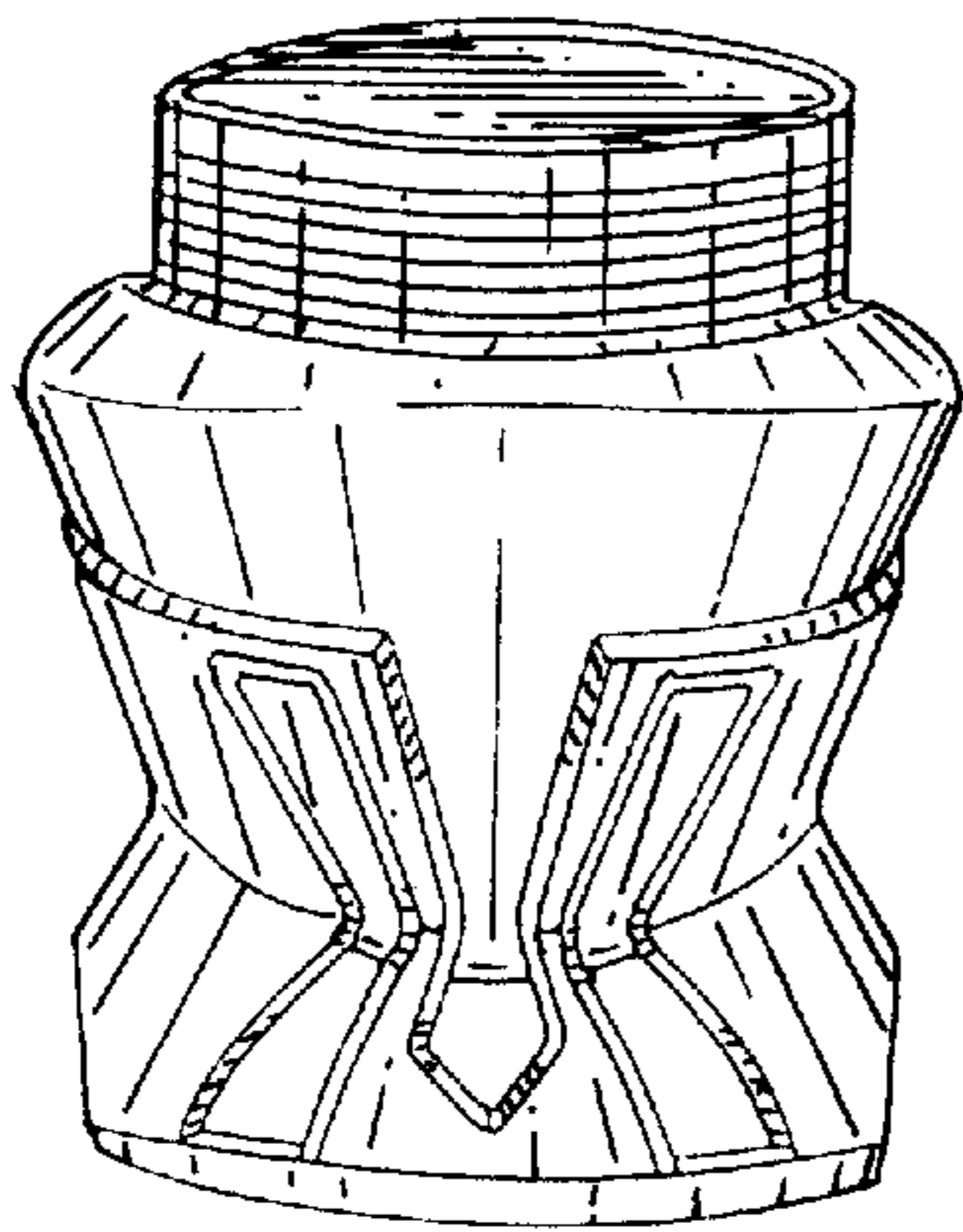


FIG. 1

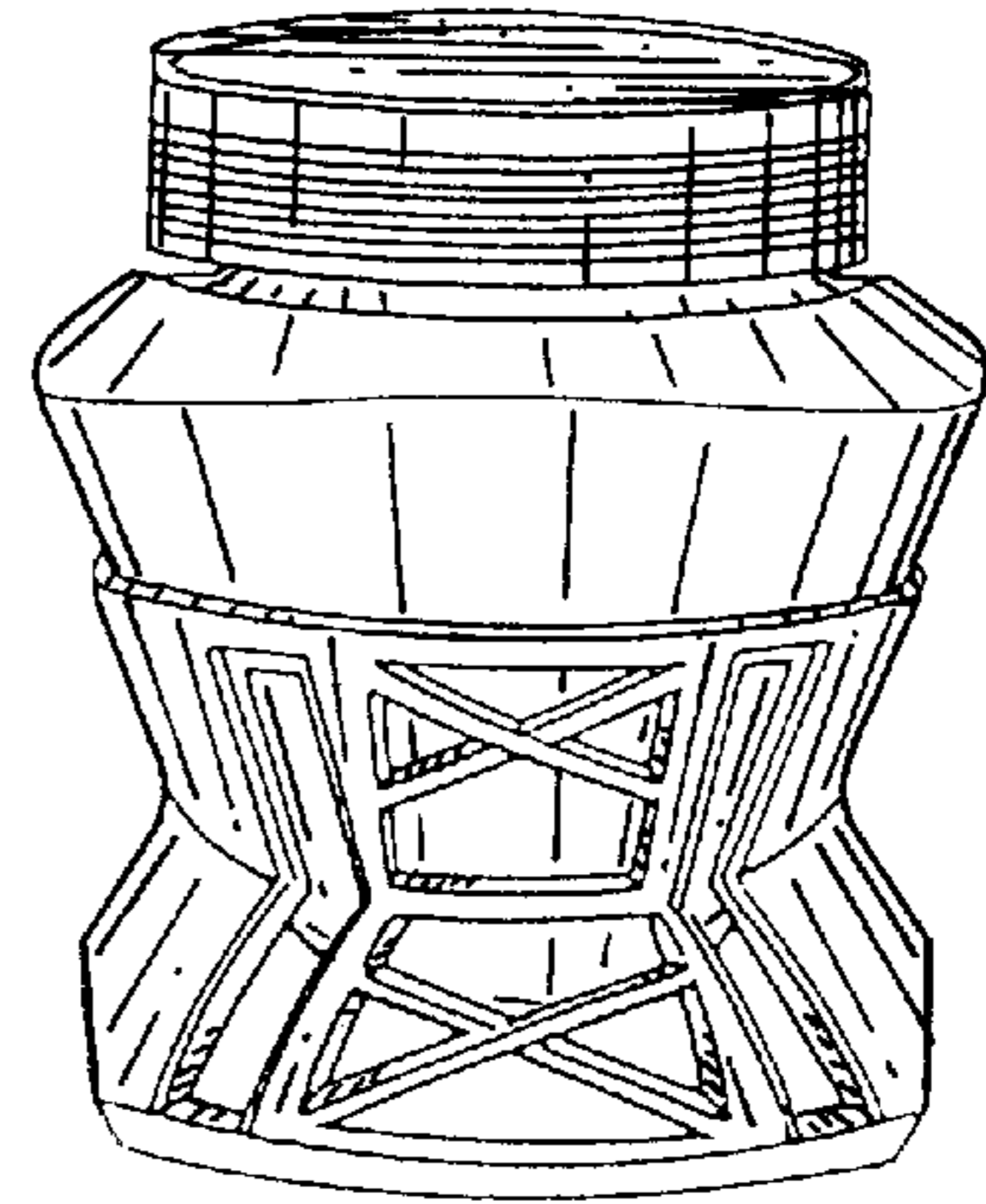


FIG. 2

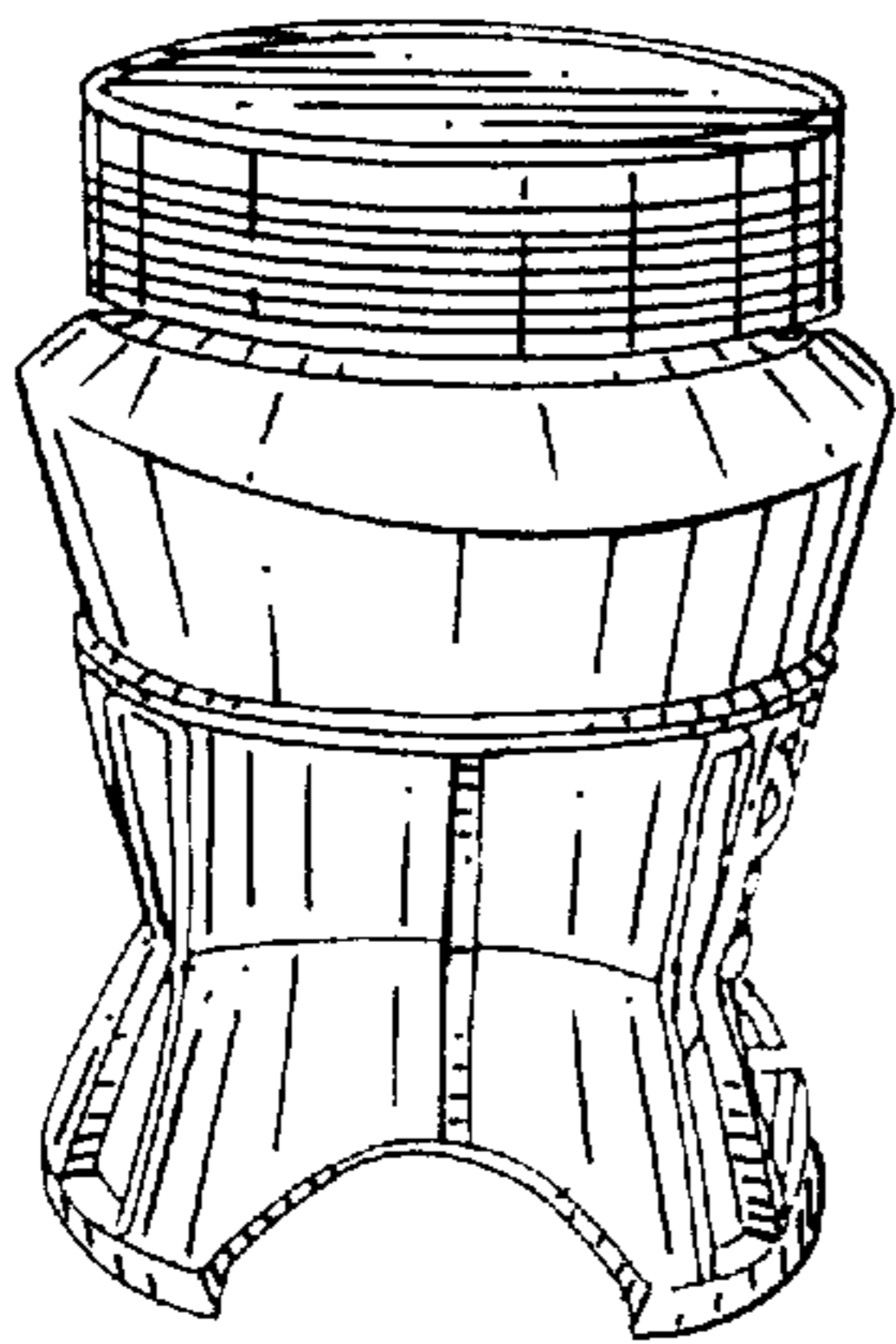


FIG. 3

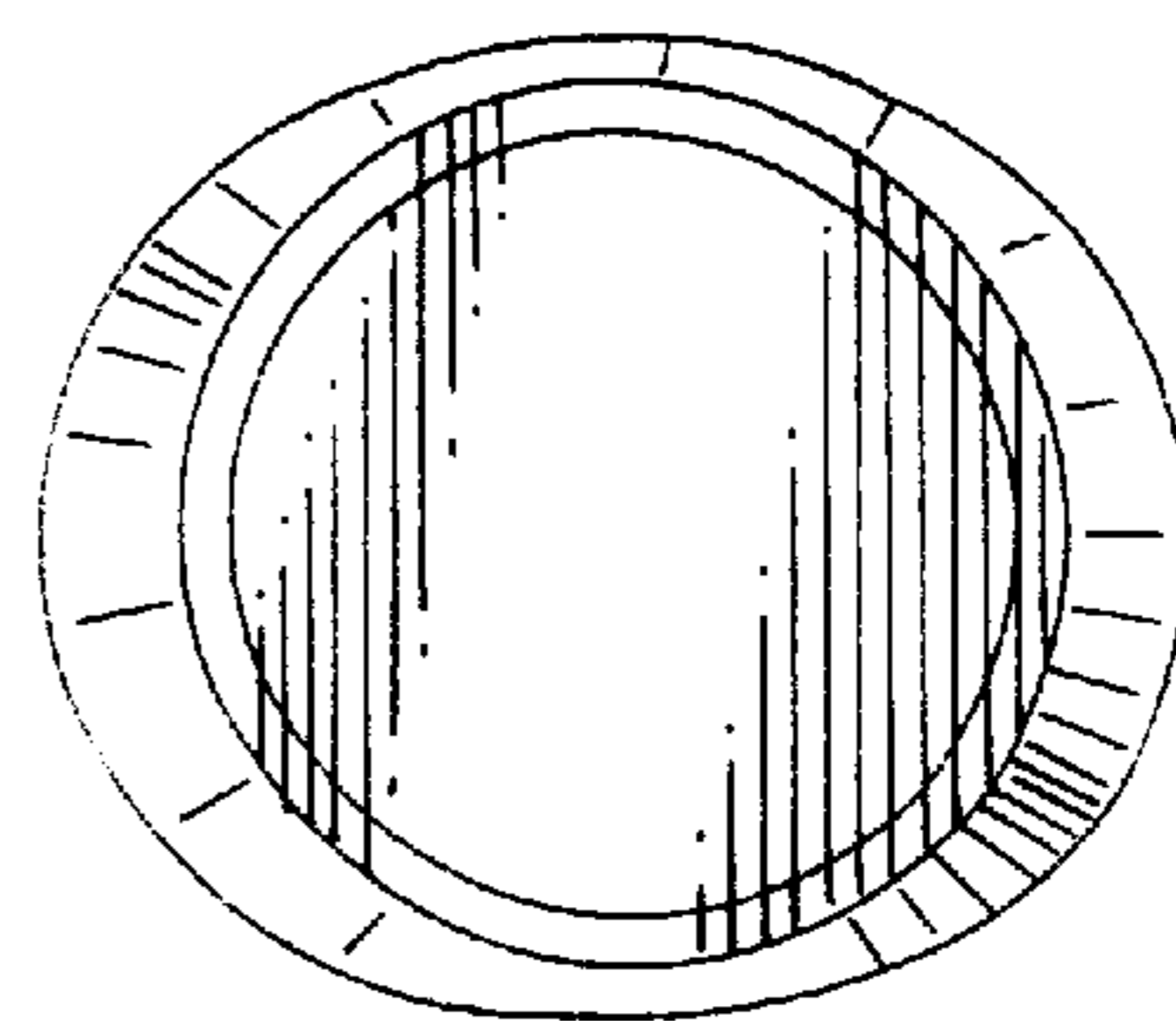


FIG. 4

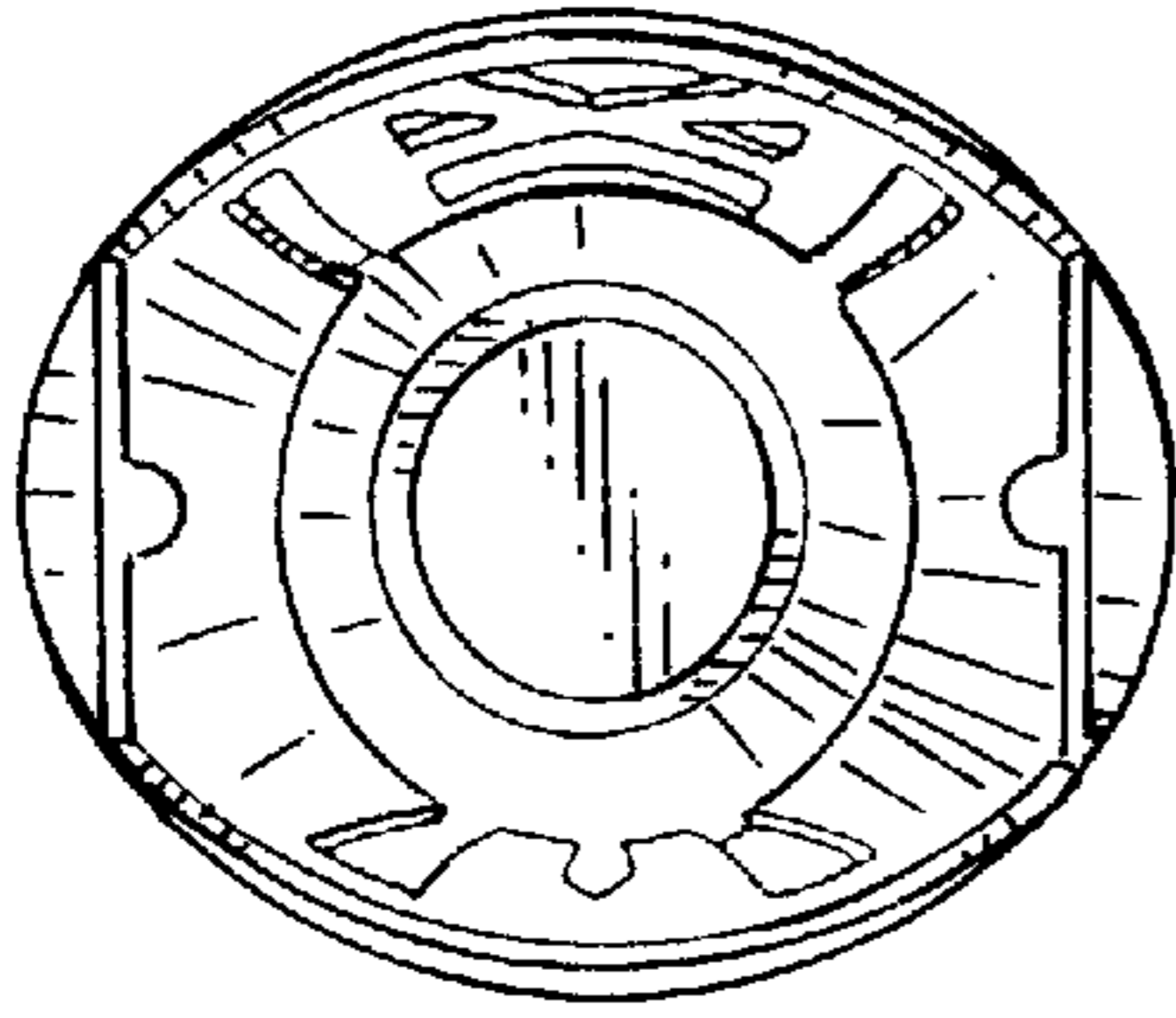


FIG. 5

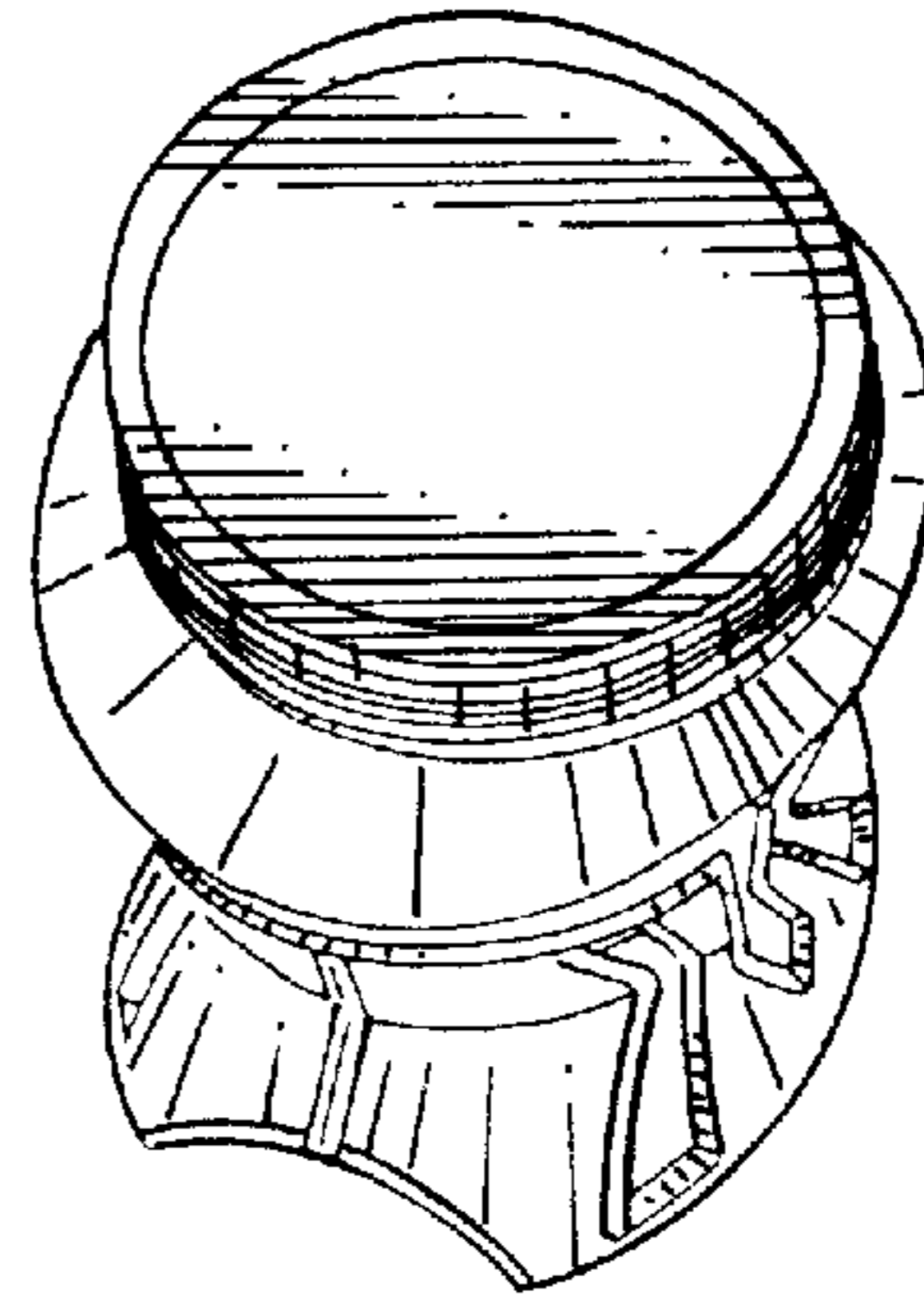


FIG. 6

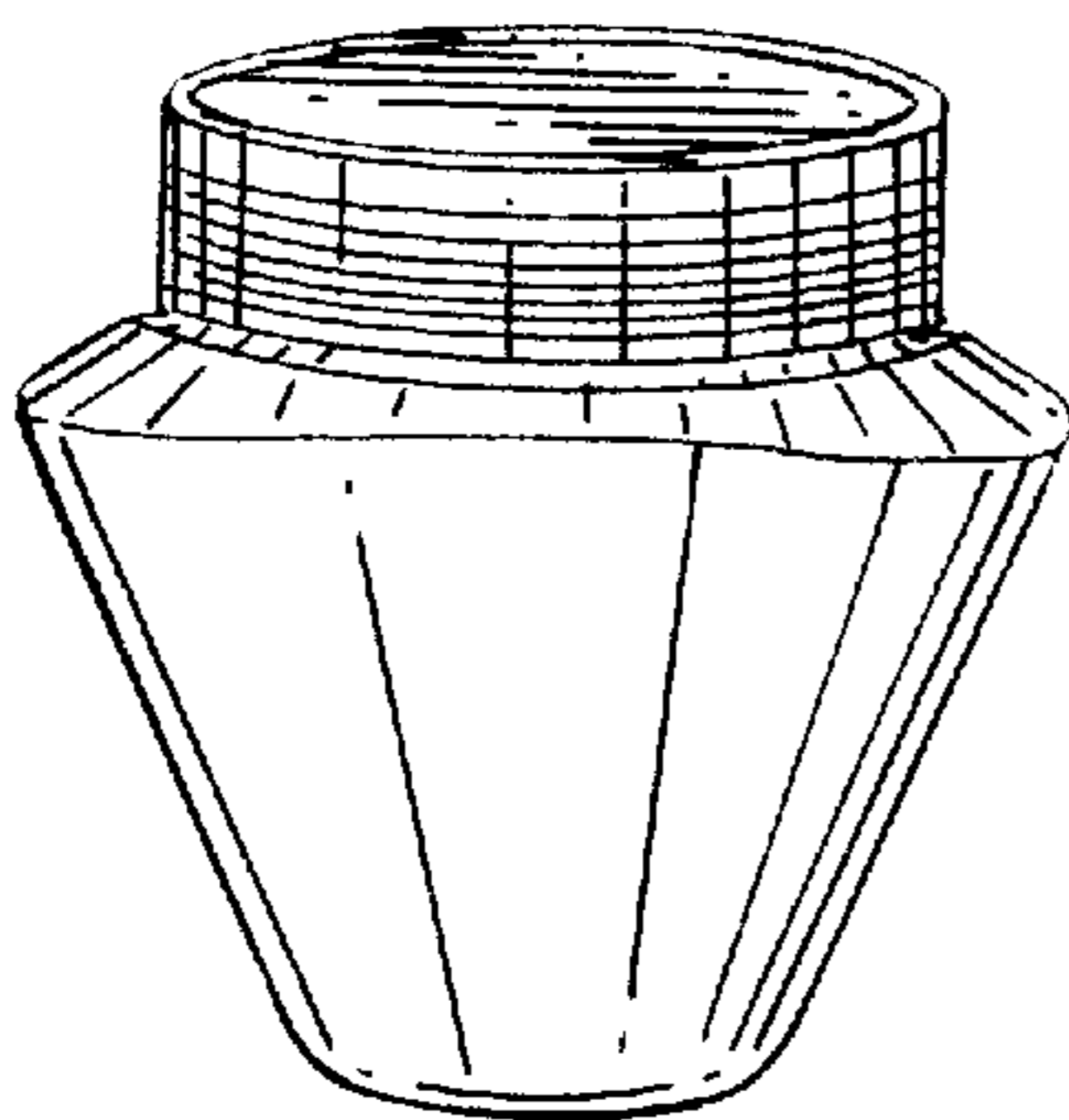


FIG. 7

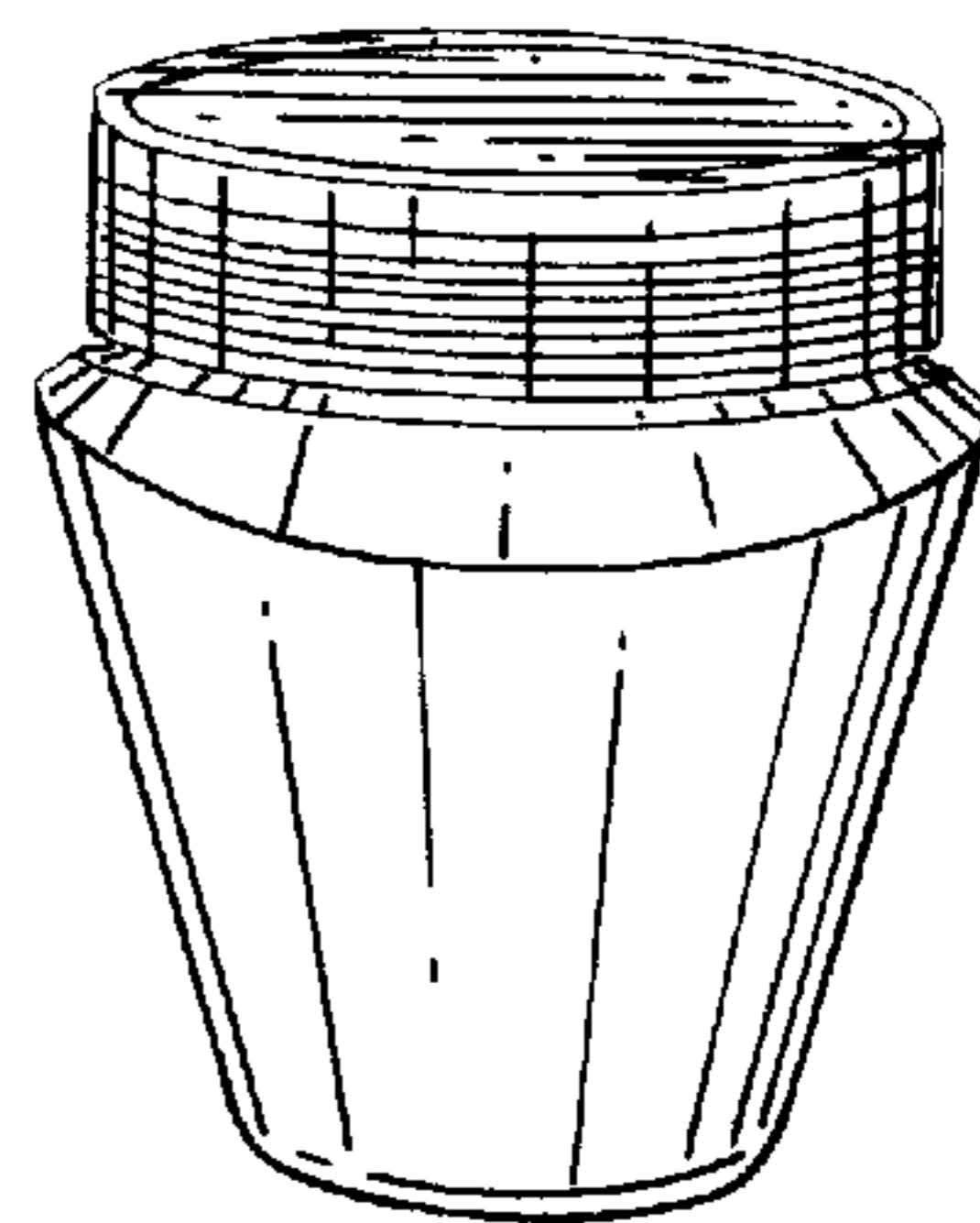


FIG. 8

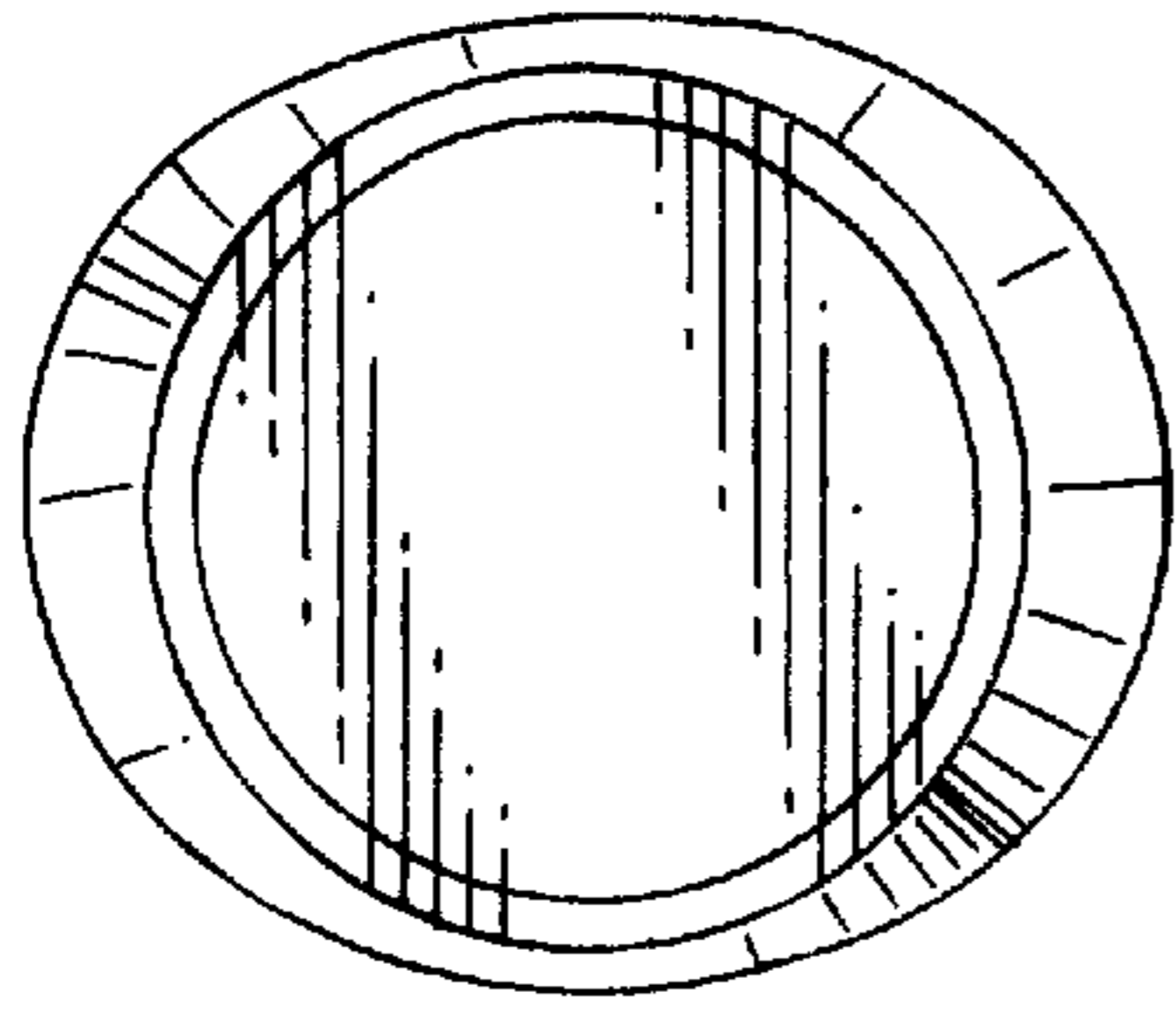


FIG. 9

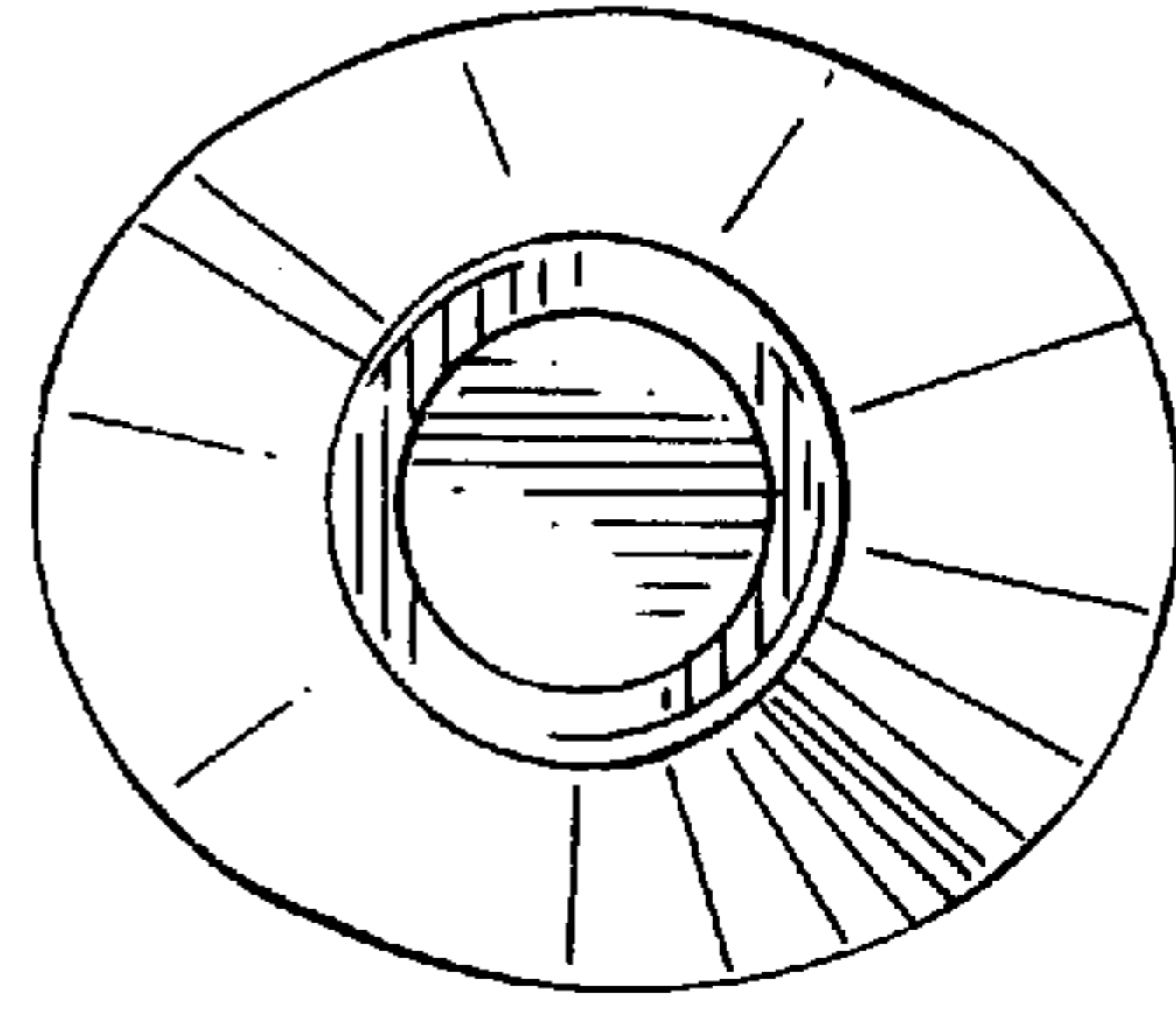


FIG. 10

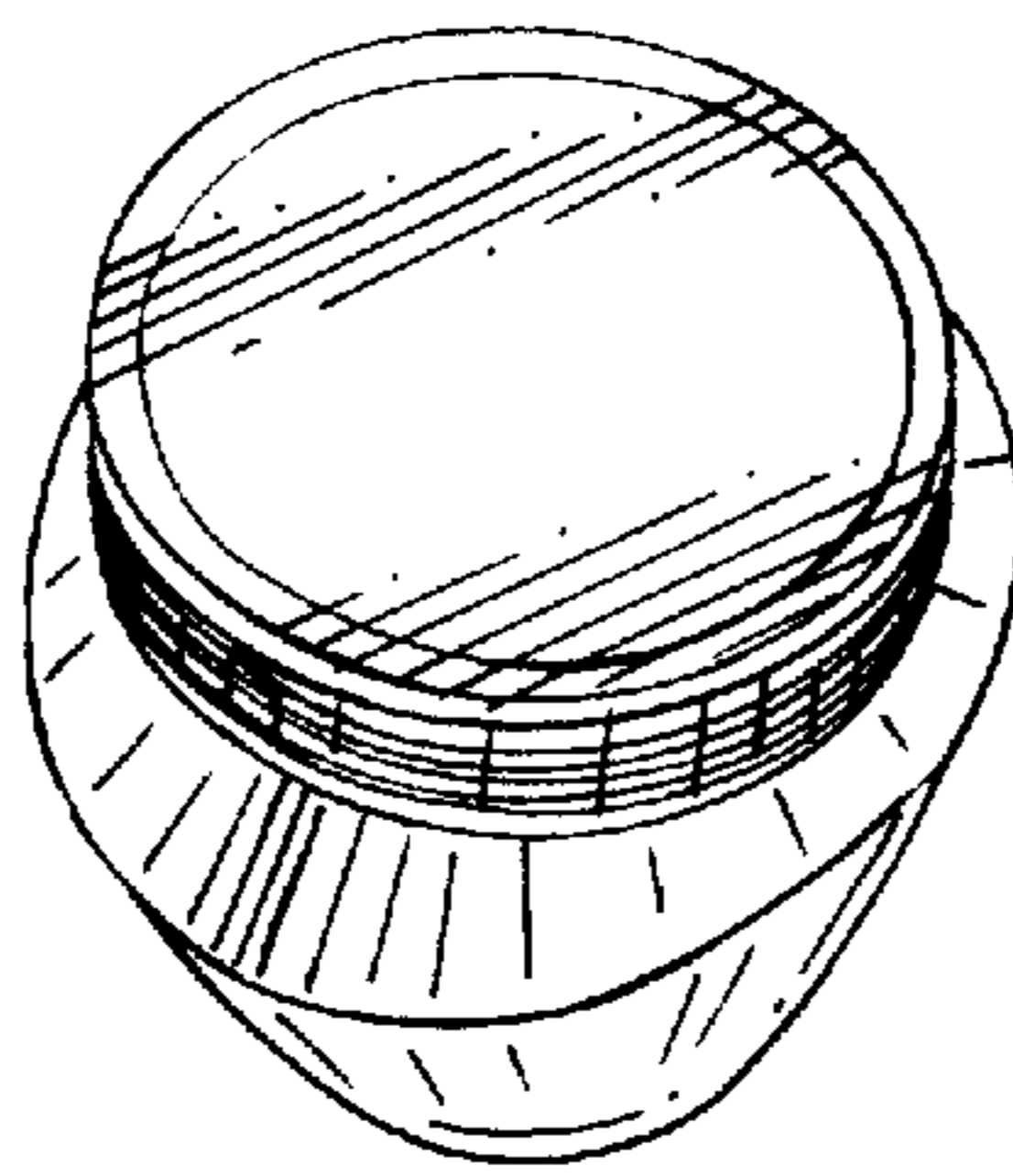


FIG. 11