



US00D401844S

United States Patent [19]
Klippert, Jr. et al.

[11] **Patent Number: Des. 401,844**
[45] **Date of Patent: **Dec. 1, 1998**

[54] **WHEEL SUPPORT**

[75] Inventors: **William Klippert, Jr.**, Mount Prospect;
Phil DiVenere, Downers Grove; **John Smith**, Oak Park, all of Ill.

[73] Assignee: **Schutz International, Inc.**, Morton Grove, Ill.

[**] Term: **14 Years**

[21] Appl. No.: **65,408**

[22] Filed: **Jan. 13, 1997**

[51] **LOC (6) Cl.** **08-05**

[52] **U.S. Cl.** **D8/375**

[58] **Field of Search** D8/375; 16/29,
16/18 R, 31 R, 39-40

[56] **References Cited**

U.S. PATENT DOCUMENTS

1,278,476	9/1918	Johnson	16/39
1,552,890	9/1925	Soss	16/29
1,753,183	4/1930	Johnson	16/29
2,659,927	11/1953	Simpson	16/29

Primary Examiner—Holly Baynham
Attorney, Agent, or Firm—Wood, Phillips, VanSanten, Clark & Mortimer

[57] **CLAIM**

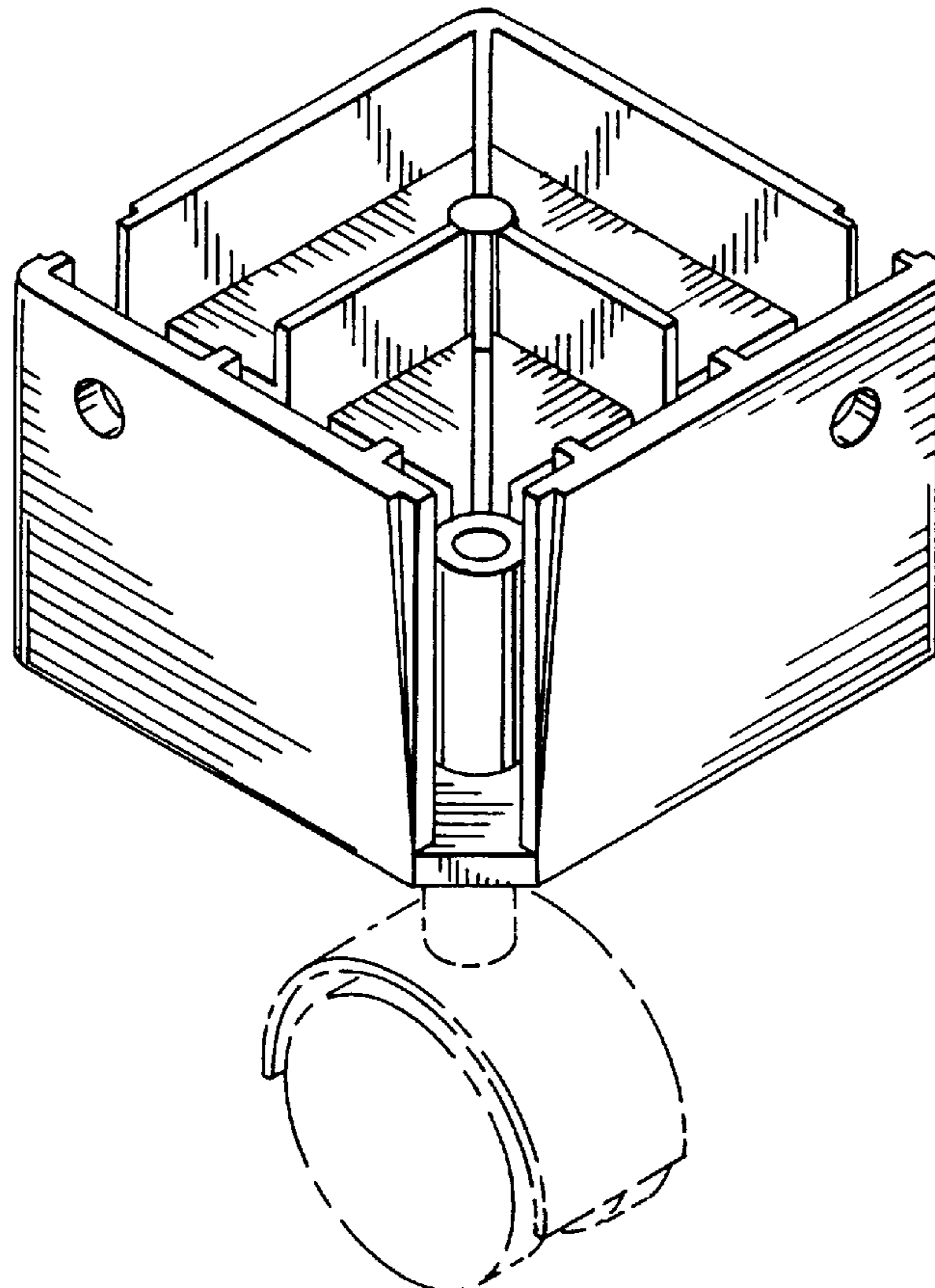
The ornamental design for a wheel support, as shown and described.

DESCRIPTION

FIG. 1 is a front, top and side perspective view of our design for a wheel support;
FIG. 2 is a plan view thereof;
FIG. 3 is a front elevation view thereof;
FIG. 4 is an elevation view thereof from the side opposite that in FIG. 1;
FIG. 5 is a rear elevation view thereof;
FIG. 6 is an elevation view thereof from the same side as in FIG. 1; and,
FIG. 7 is a bottom view thereof.

The broken line showing of a caster wheel and interior structure are for illustrative purposes only and forms no part of the claimed design.

1 Claim, 3 Drawing Sheets



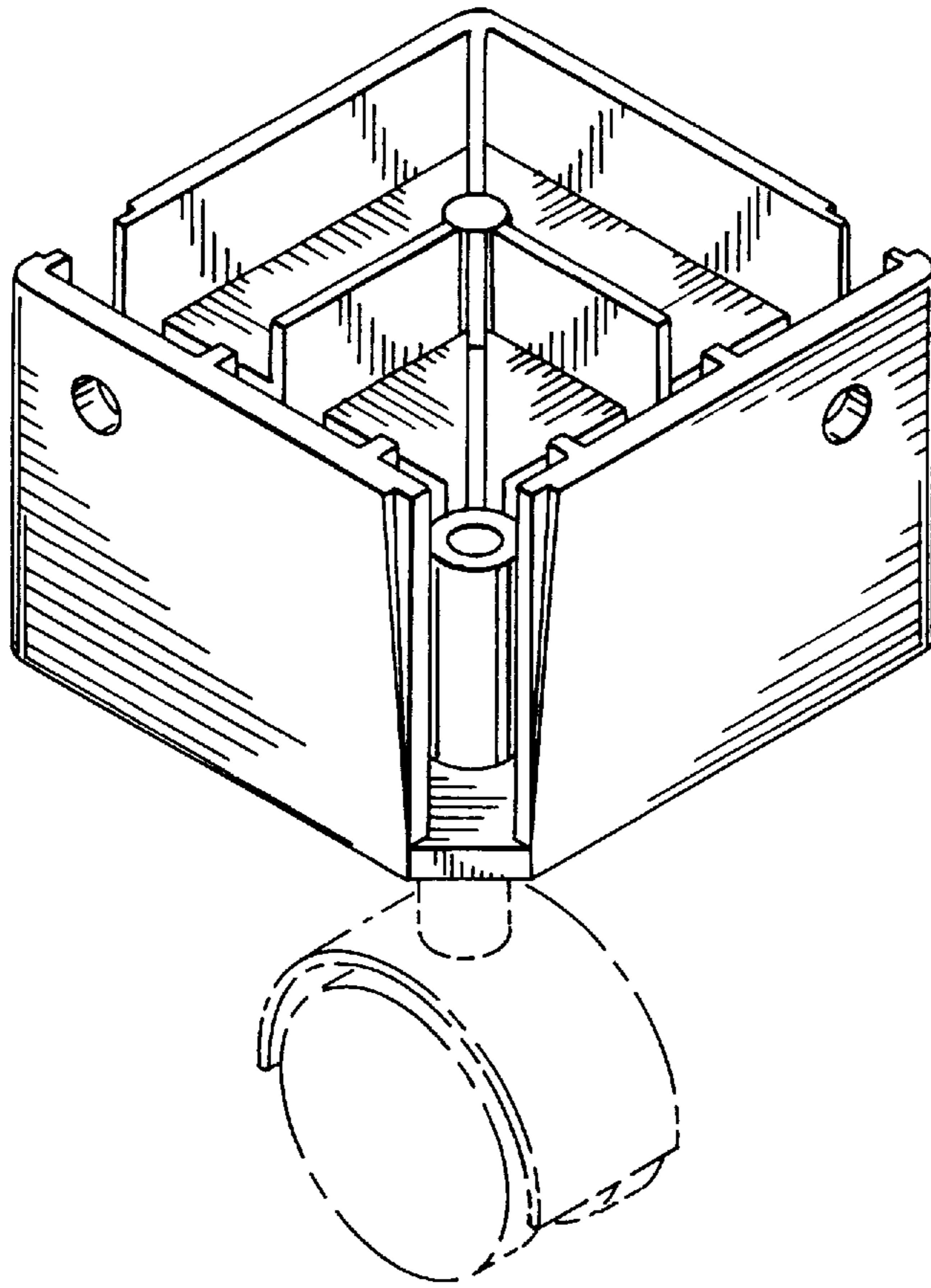


FIG. 1

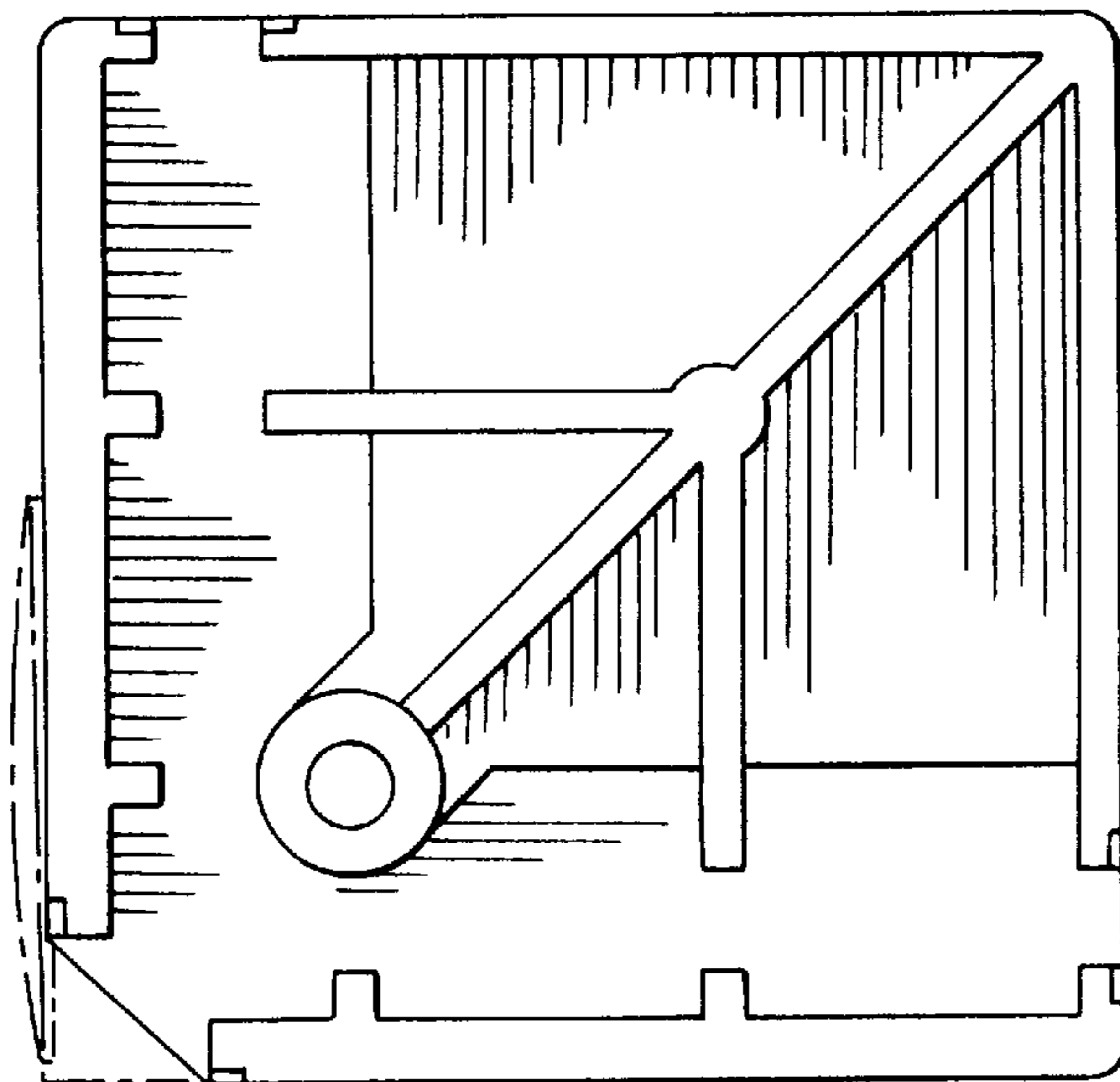


FIG. 2

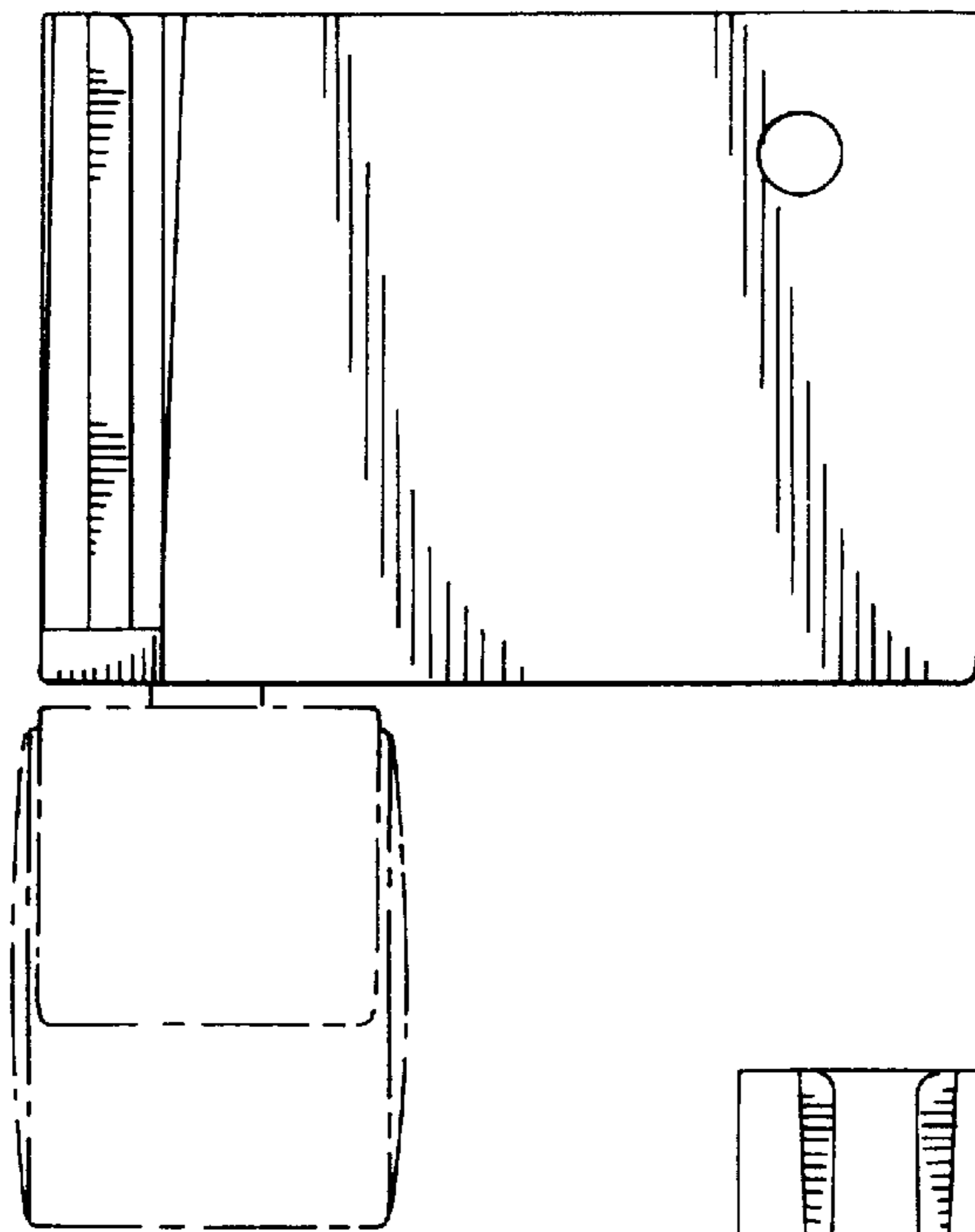


FIG. 3

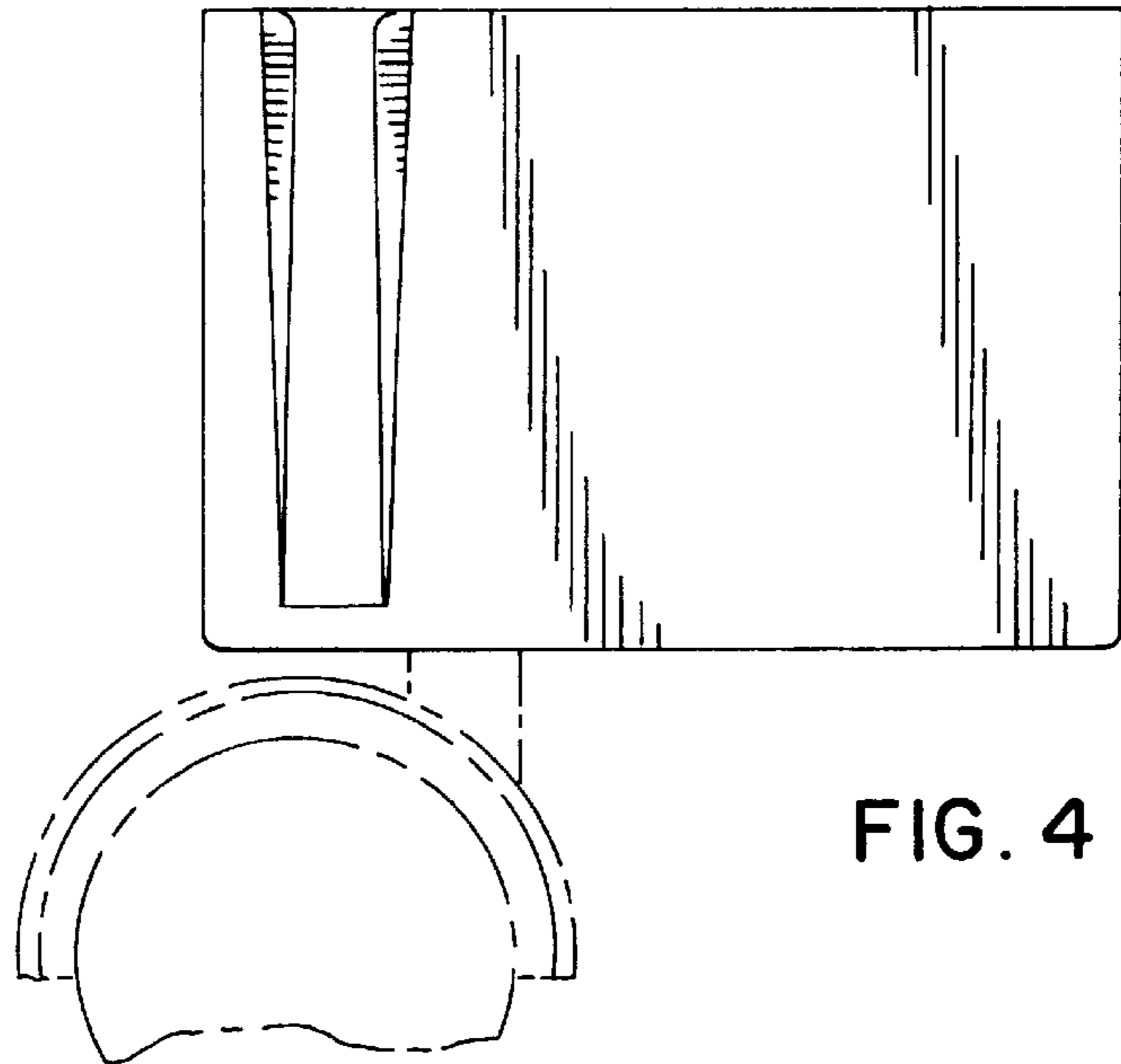


FIG. 4

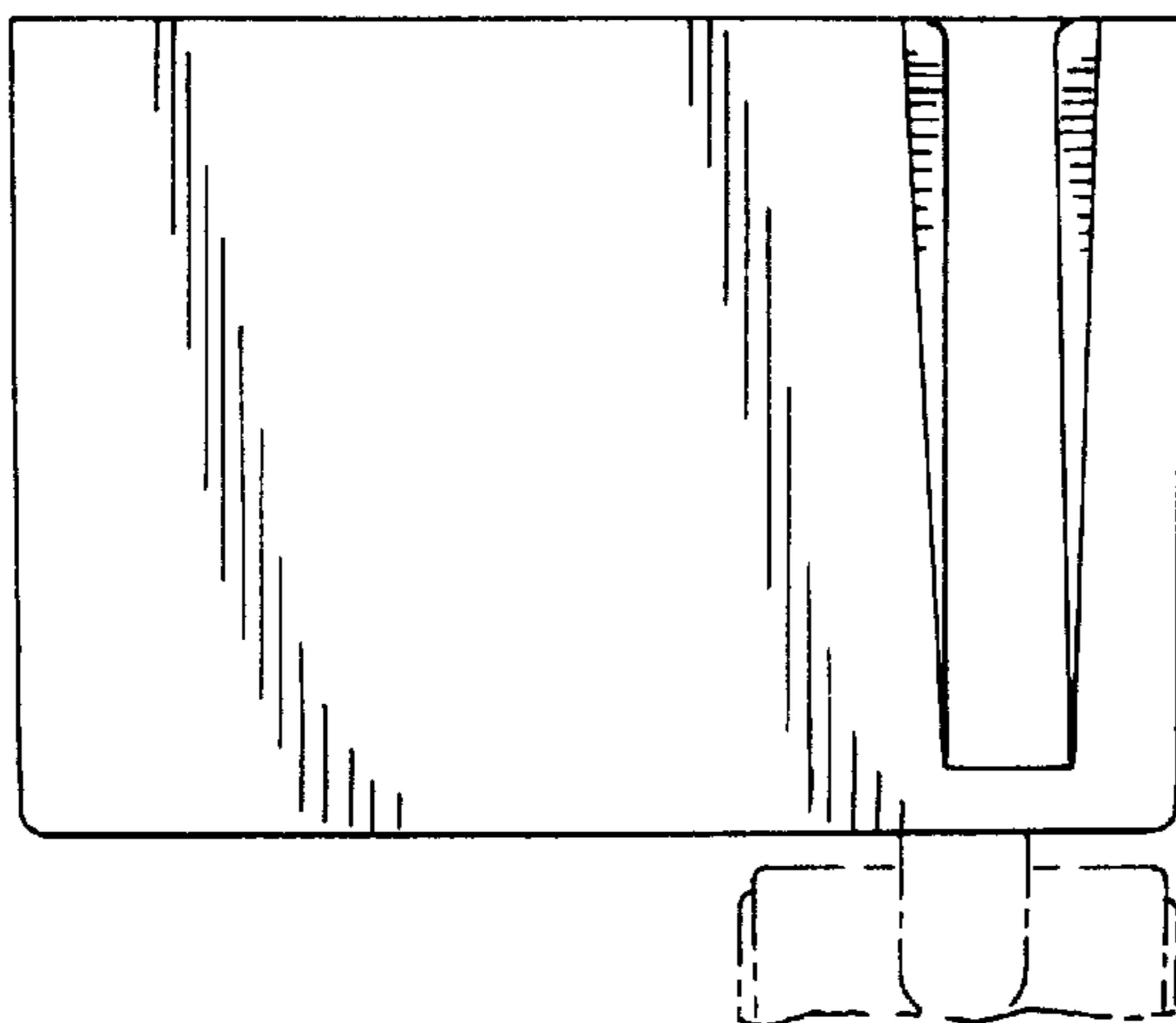


FIG. 5

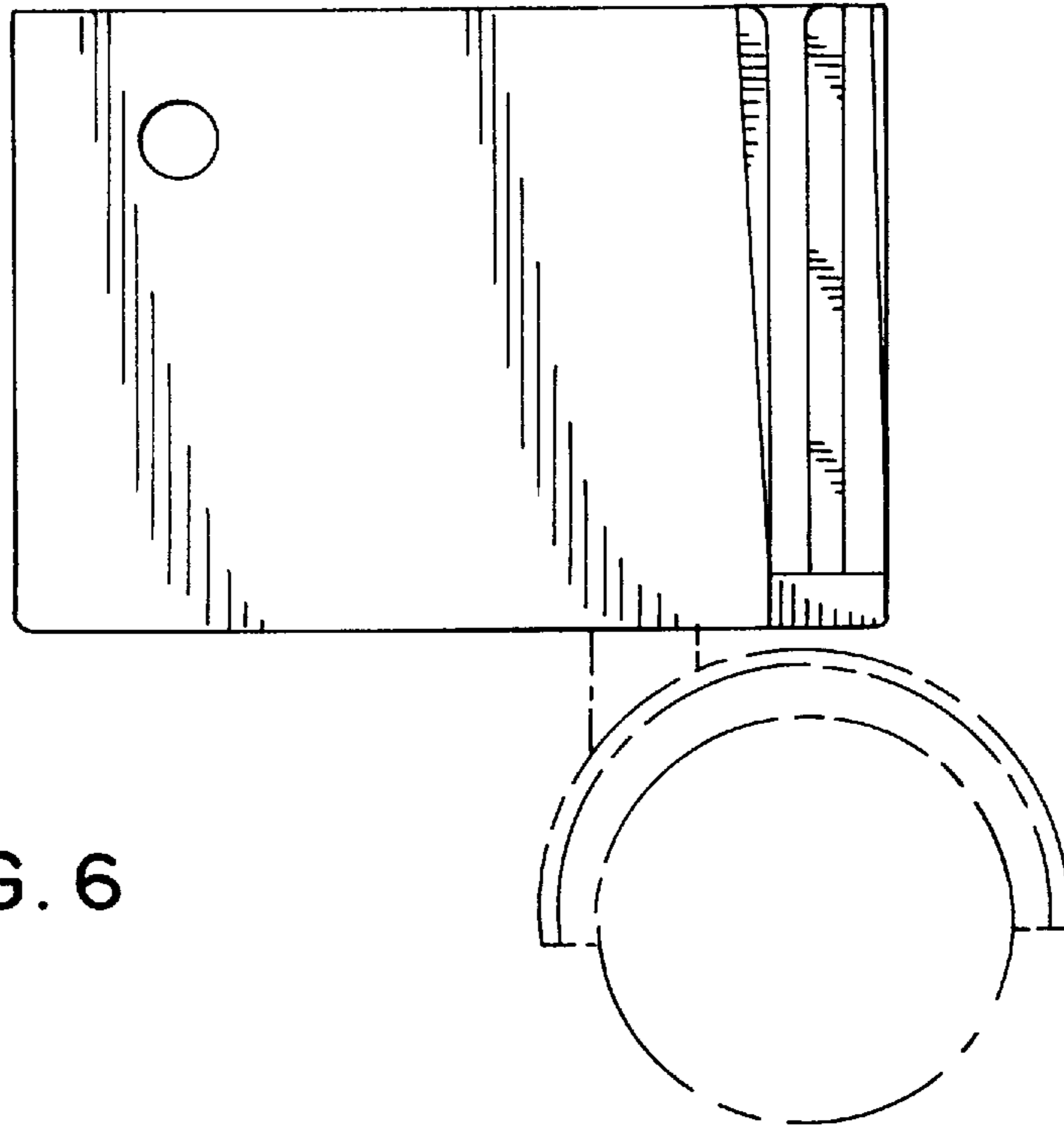


FIG. 6

FIG. 7

