



US00D401842S

United States Patent [19]
Johnson, Jr.

[11] **Patent Number:** **Des. 401,842**

[45] **Date of Patent:** ****Dec. 1, 1998**

[54] **FOLDING CLEAT**

D. 383,051 9/1997 Oien D8/356

[75] Inventor: **Curtiss S. Johnson, Jr.**, Groton Long Point, Conn.

Primary Examiner—Holly Baynham
Attorney, Agent, or Firm—McCormick, Paulding & Huber

[73] Assignee: **C. Sherman Johnson Company Inc.**, East Haddam, Conn.

[57] **CLAIM**

[**] Term: **14 Years**

The ornamental design for a folding cleat, as shown and described.

[21] Appl. No.: **82,463**

DESCRIPTION

[22] Filed: **Jan. 22, 1998**

FIG. 1 is a perspective view of my new design;
FIG. 2 is a front elevation view, the rear view being the same;
FIG. 3 is a left side elevation view with the broken line showing of a fragmented mounting rail being for illustrative purposes only and forming no part of the claimed design;
FIG. 4 is a top plan view; and,
FIG. 5 is a bottom plan view.

[51] **LOC (6) Cl.** **08-05**

[52] **U.S. Cl.** **D8/356**

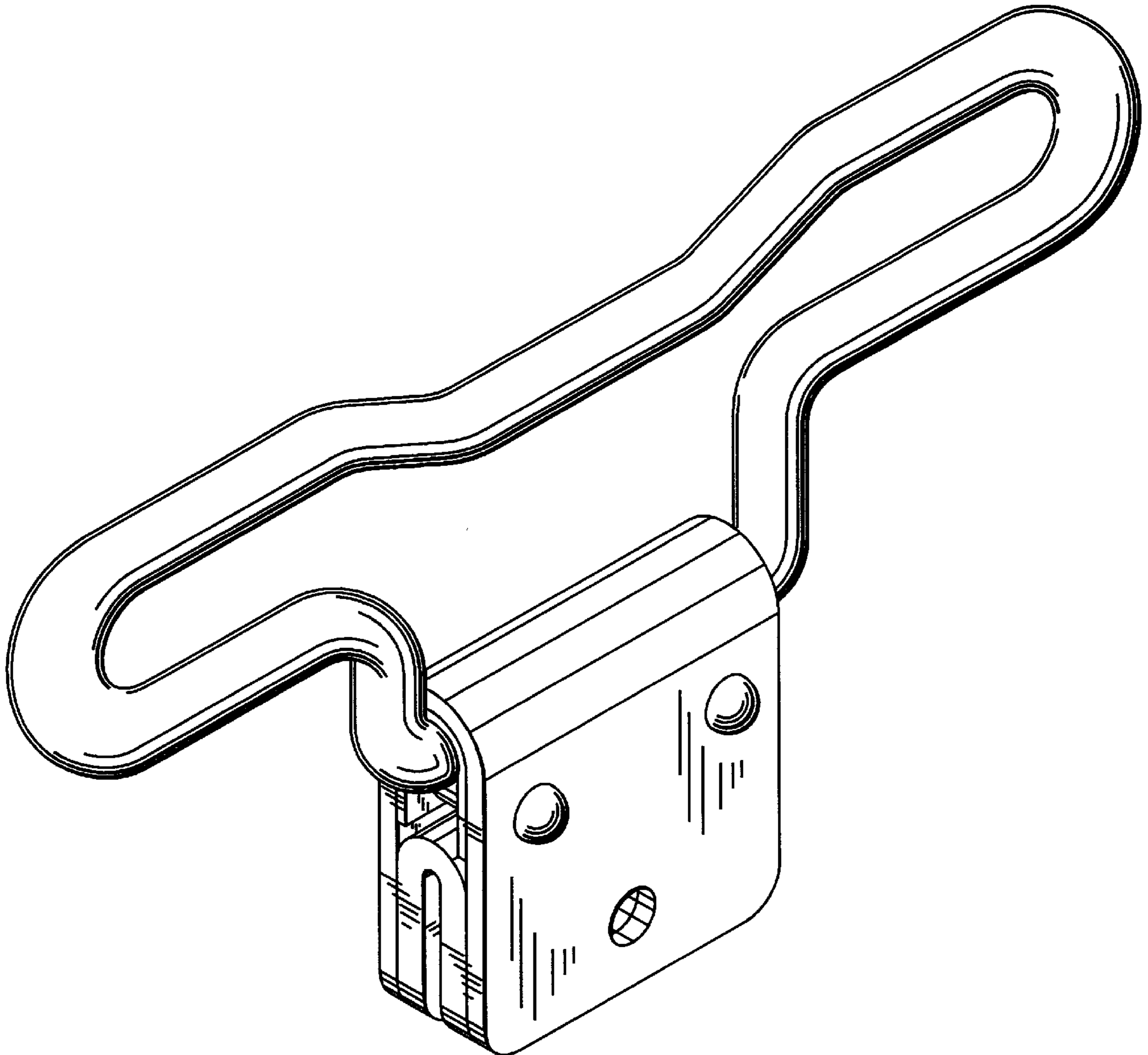
[58] **Field of Search** D8/356, 382; 114/218; 248/231.9, 56

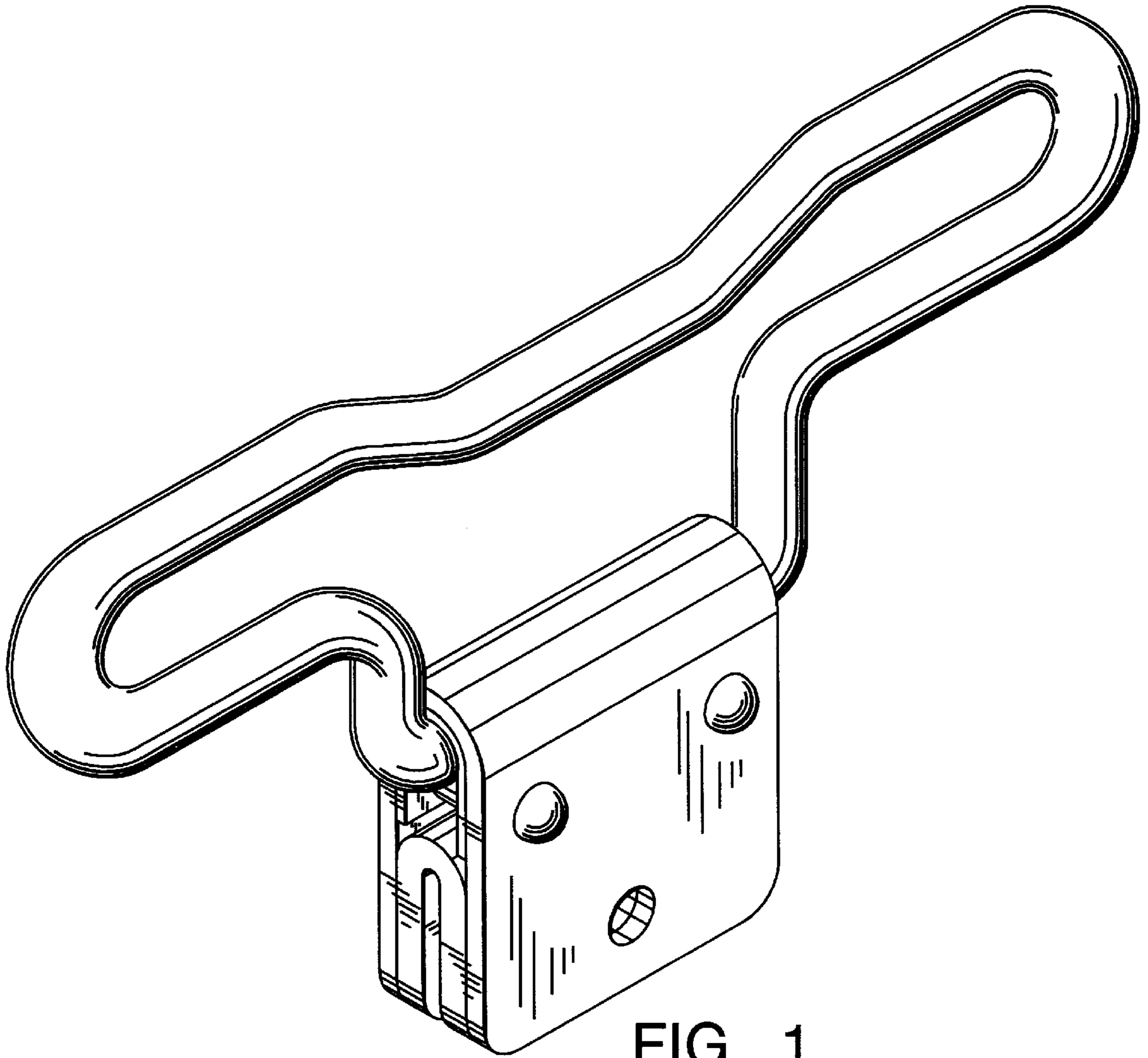
[56] **References Cited**

U.S. PATENT DOCUMENTS

D. 257,421 10/1980 Cox D8/382

1 Claim, 3 Drawing Sheets





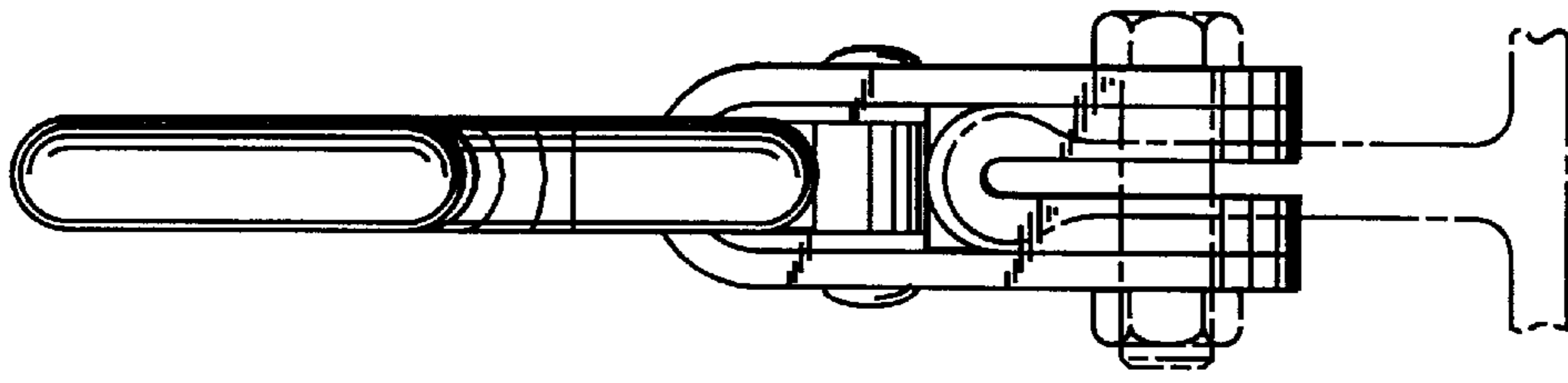


FIG. 3

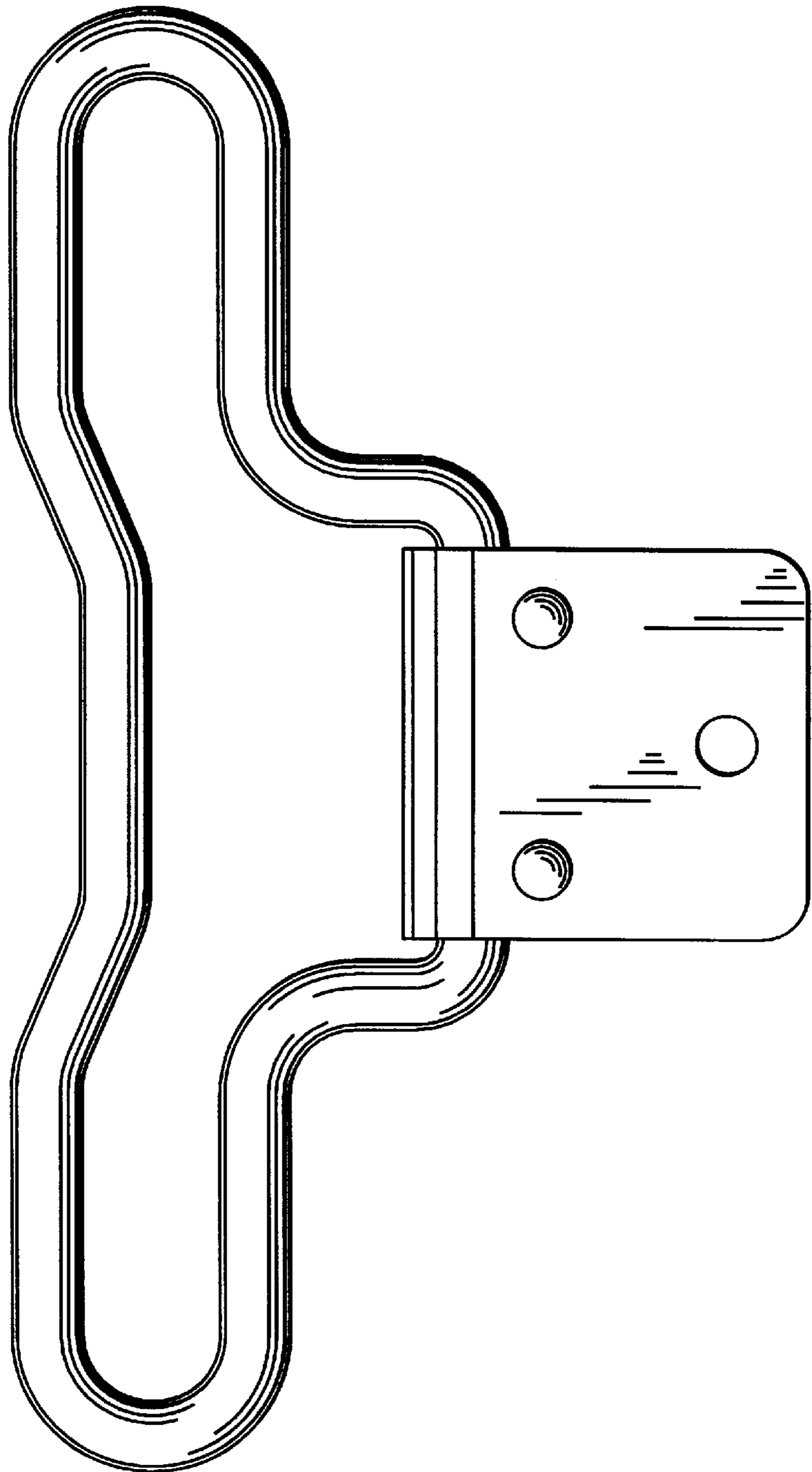


FIG. 2

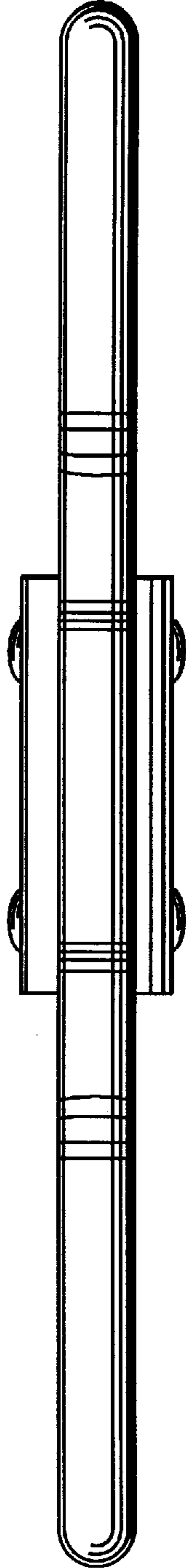


FIG. 4

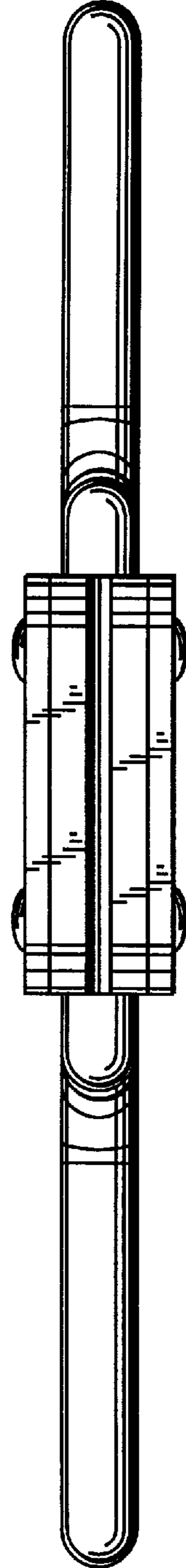


FIG. 5