



US00D401841S

United States Patent [19] Bönström

[11] **Patent Number: Des. 401,841**
[45] **Date of Patent: **Dec. 1, 1998**

[54] **BOLLARD**
[75] Inventor: **Bengt Bönström**, Hovås, Sweden
[73] Assignee: **Cito Trading Co.**, Hovas, Sweden
[**] Term: **14 Years**
[21] Appl. No.: **63,507**
[22] Filed: **Dec. 9, 1996**
[30] **Foreign Application Priority Data**
Jun. 10, 1996 [SE] Sweden 96-1309
[51] **LOC (6) Cl. 08-05**
[52] **U.S. Cl. D8/356**
[58] **Field of Search** D8/356, 382; 114/218,
114/230, 199, 343, 364; D12/300, 168,
317; 248/309.1, 309.2, 309.3

D. 188,562 8/1960 Tritt D8/356 X
D. 204,332 4/1966 Hargraves .
2,990,801 7/1961 Ash .
3,715,782 2/1973 Newell 114/218 X
5,207,171 5/1993 Westwood, III 114/218

Primary Examiner—Susan J. Lucas
Assistant Examiner—Cynthia E Ramirez
Attorney, Agent, or Firm—Dvorak & Orum

[57] CLAIM

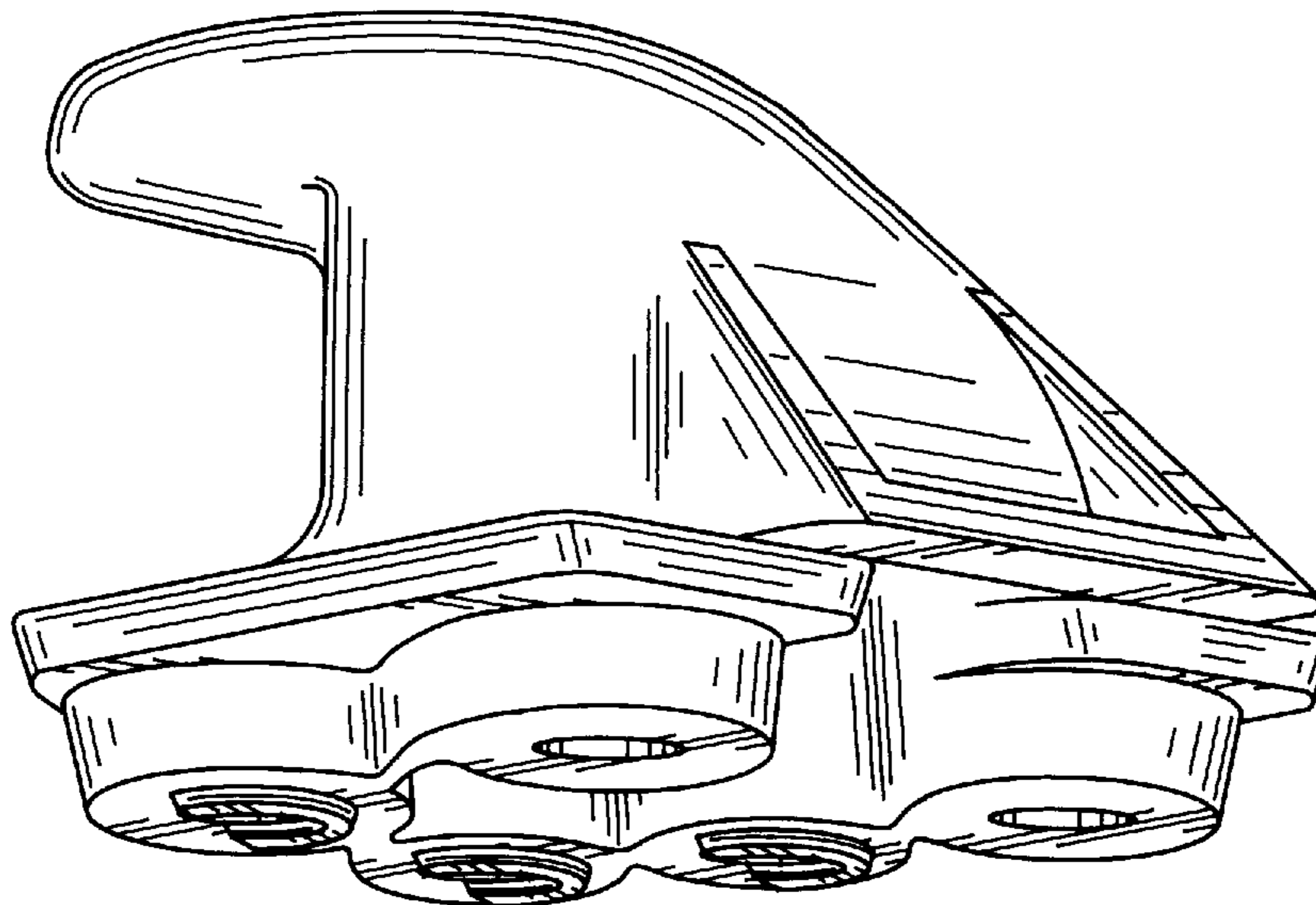
The ornamental design for a bollard, as shown and described.

DESCRIPTION

FIG. 1 is a bottom and rear perspective view of a bollard showing my new design;
FIG. 2 is a top and front perspective view thereof;
FIG. 3 is a front elevational view thereof; and,
FIG. 4 is a rear elevational view thereof.

[56] **References Cited**
U.S. PATENT DOCUMENTS
D. 35,031 9/1901 Schmidt D8/356 X

1 Claim, 2 Drawing Sheets



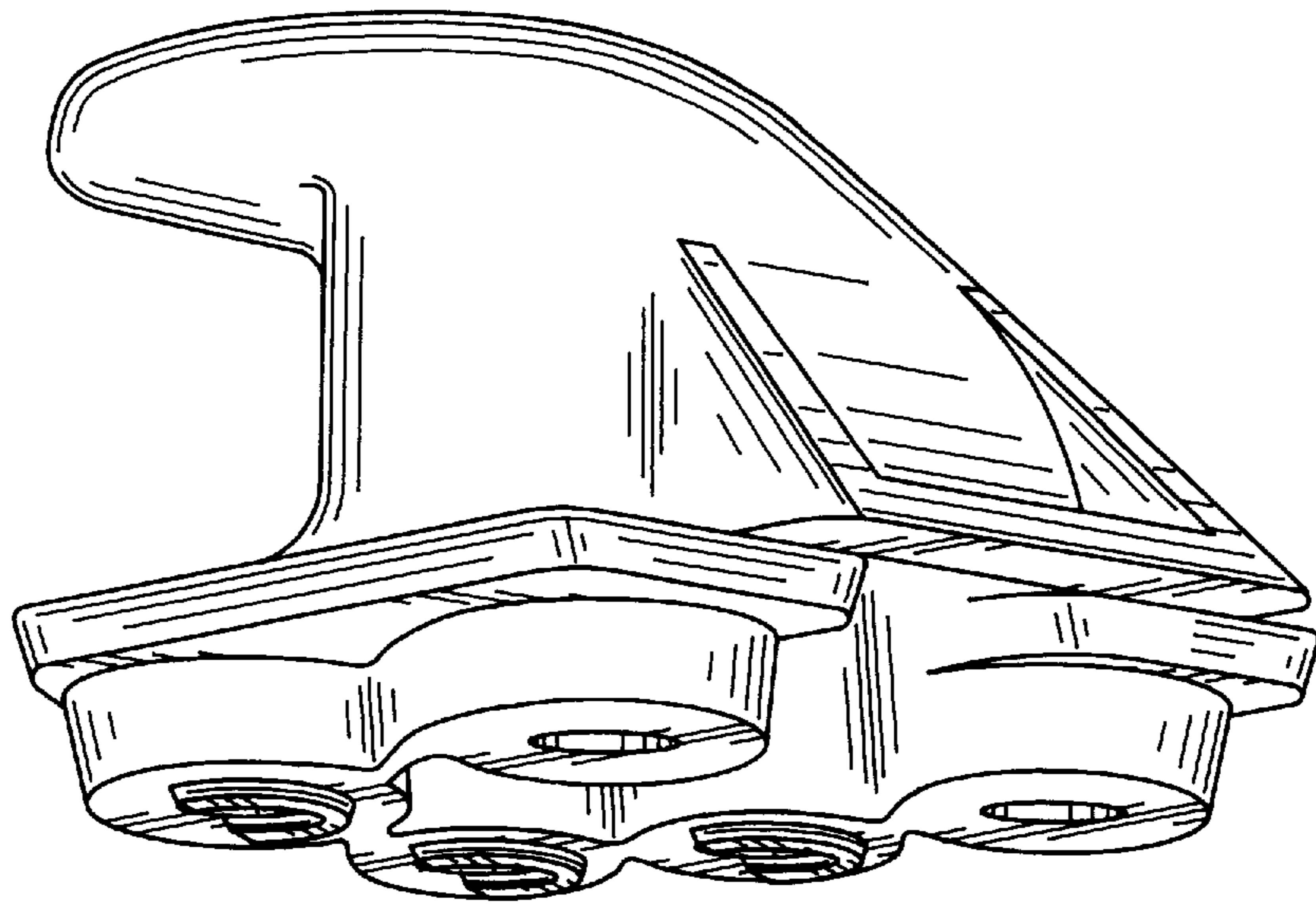


FIG. 1

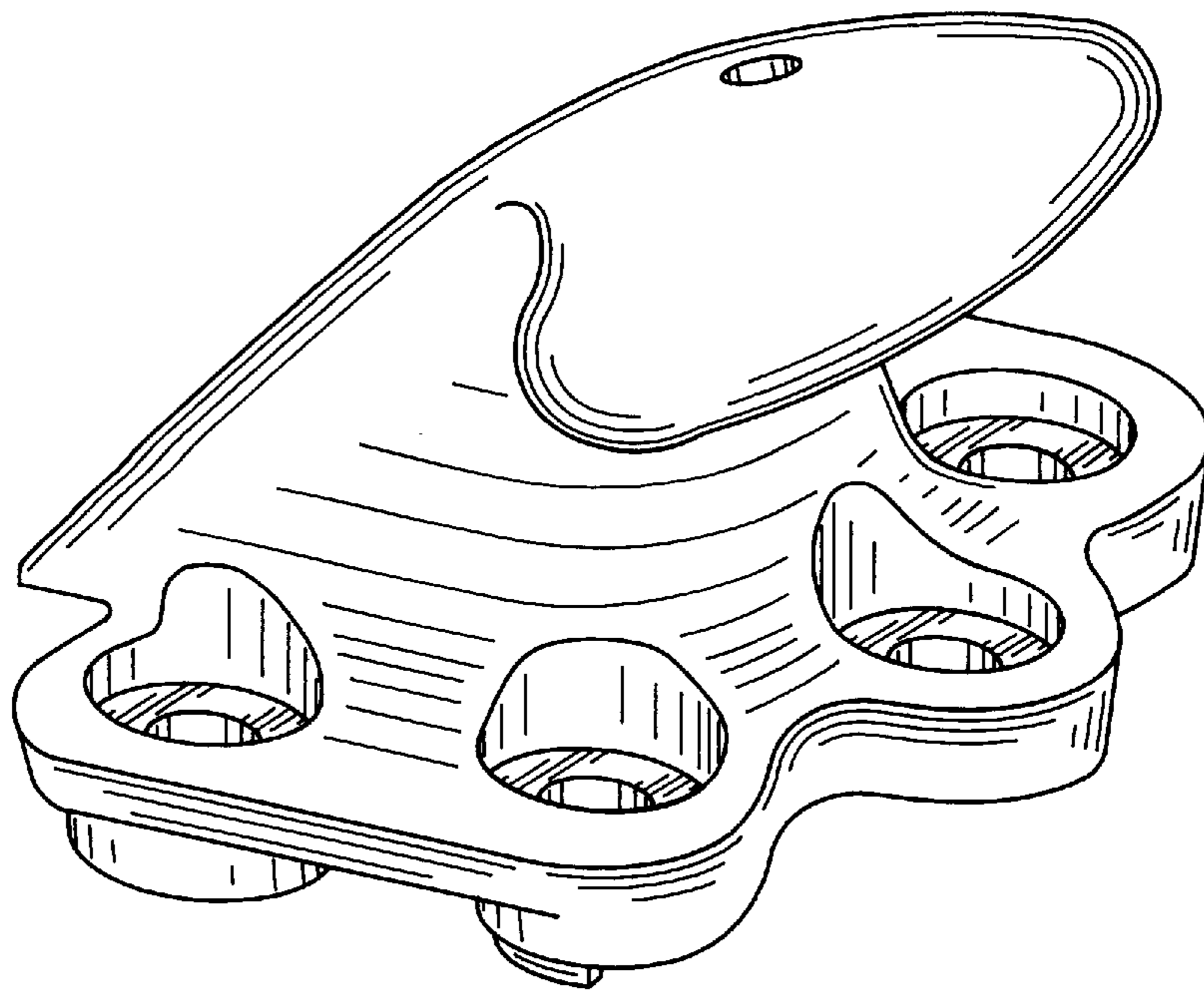


FIG. 2

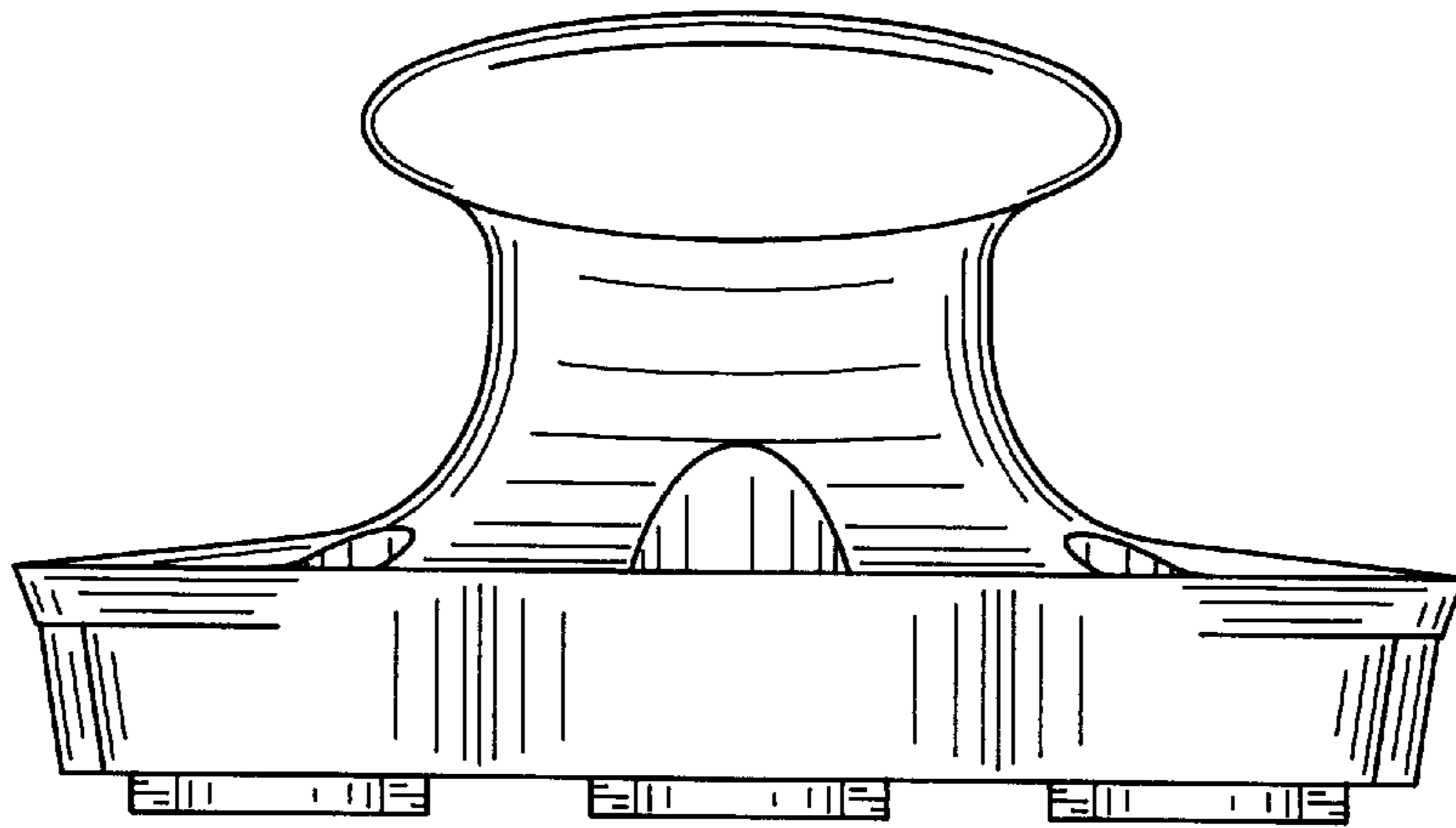


FIG. 3

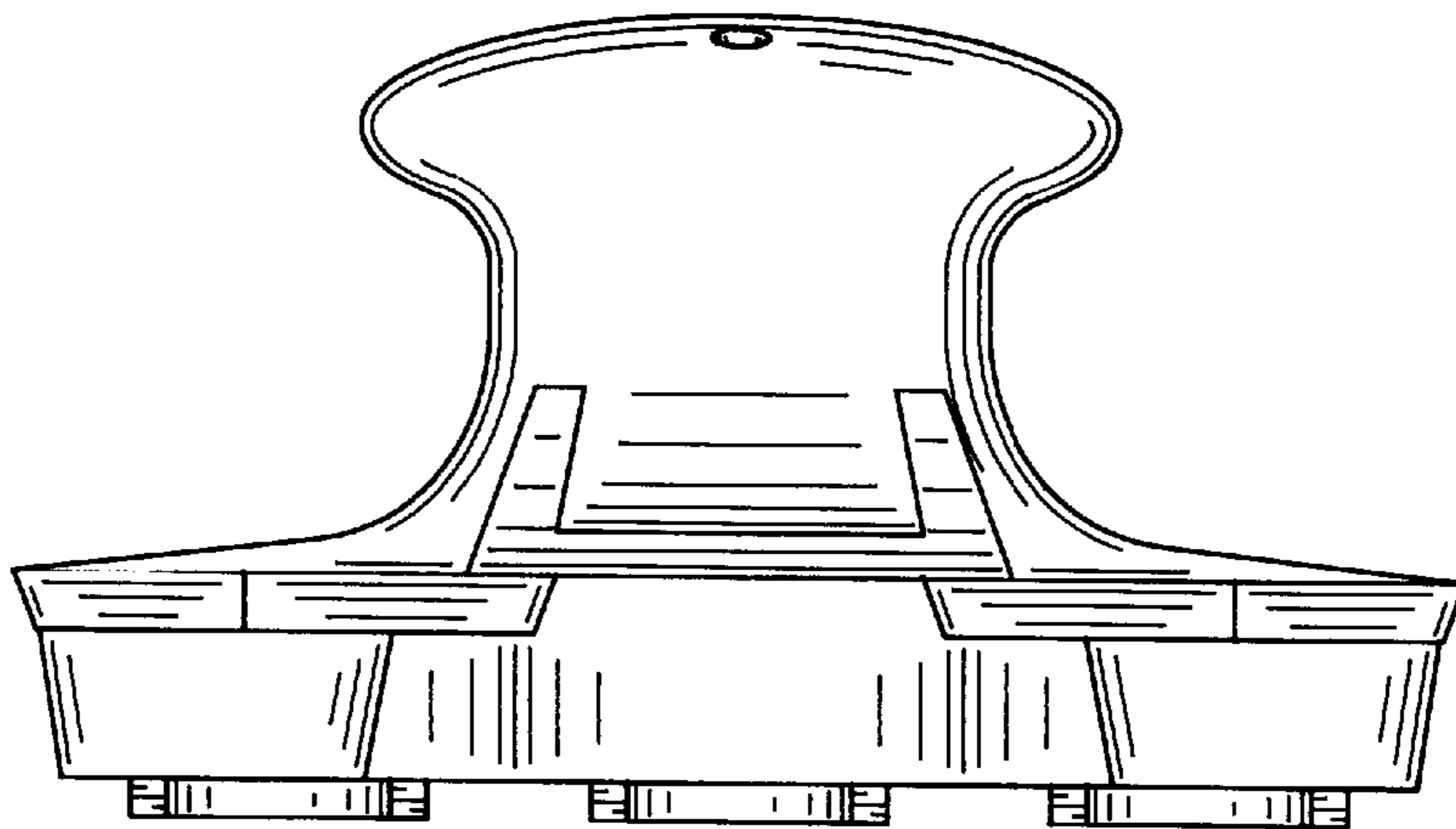


FIG. 4