



US00D401833S

United States Patent [19]

[11] Patent Number: **Des. 401,833**

Whitehead et al.

[45] Date of Patent: ****Dec. 1, 1998**

[54] **HANDGRIP FOR A CHILD'S SNOW SHOVEL**

[75] Inventors: **Stephen P. Whitehead**, Elgin; **Lyle Rosine**, Aurora, both of Ill.

[73] Assignee: **Suncast Corporation**, Batavia, Ill.

[**] Term: **14 Years**

[21] Appl. No.: **61,280**

[22] Filed: **Oct. 7, 1996**

[51] **LOC (6) Cl.** **08-01**

[52] **U.S. Cl.** **D8/107**

[58] **Field of Search** D8/1, 9, 10, 11, D8/14, 107, DIG. 7; D21/120; 16/110 R, 114 R; 294/54.5, 51, 53.5, 57, 58

[56] **References Cited**

U.S. PATENT DOCUMENTS

D. 213,630	3/1969	Hoxie et al. .	
D. 214,662	7/1969	Portz	D8/10
D. 257,210	10/1980	Bonnes	294/54
D. 267,468	1/1983	Simms	294/54.5
D. 269,490	6/1983	Germain	D8/1
D. 284,733	7/1986	Hozumi	D8/10
D. 291,863	9/1987	Kolonia	D8/10
D. 296,410	6/1988	Abbott	294/54.5 X
D. 306,962	4/1990	Schuele	D8/13
D. 328,553	8/1992	Norton et al.	294/54.5
D. 331,652	12/1992	Wu	D8/10
D. 350,166	8/1994	Kino	D21/120
D. 360,564	7/1995	Tisbo et al.	294/49
D. 363,653	10/1995	Tisbo et al.	294/49
366,099	7/1887	Hinchman	294/56
D. 384,559	10/1997	Tisbo et al.	D8/10
D. 384,866	10/1997	Tisbo et al.	D8/10
D. 385,160	10/1997	Tisbo et al.	D8/10
678,373	7/1901	Blaser .	
864,338	8/1907	Schertzer .	
930,660	8/1909	Gifford	294/54.5
964,453	7/1910	Robarge .	
967,270	8/1910	Tiedt	294/54.5 X
1,042,352	10/1912	Kohler	294/54.5
1,260,276	3/1918	Miller	294/54.5
1,435,061	11/1922	Halsey .	
1,839,285	1/1932	Winkie .	
1,932,349	10/1933	Habig	97/227

3,119,596	1/1964	Pratt	254/131.5
3,177,026	4/1965	Cowan	294/54.5
3,680,641	8/1972	Hein	172/371
4,149,744	4/1979	Bonnes	294/54.5
4,247,141	1/1981	Grint	294/49
4,280,727	7/1981	Germain	294/54
4,538,847	9/1985	Lapshansky	294/54.5
4,655,494	4/1987	Eads et al.	294/49
4,690,447	9/1987	Adams	294/57
4,848,073	7/1989	Germain et al.	56/400.17
4,878,704	11/1989	Jacanin, Jr. et al.	294/54.5
4,991,324	2/1991	Fine et al.	294/54.5 X
4,993,768	2/1991	Ewen	294/51
5,228,734	7/1993	Pollastro	294/54.5
5,419,600	5/1995	Tisbo et al.	294/54.5
5,435,063	7/1995	Russo	30/164.5

FOREIGN PATENT DOCUMENTS

234243	12/1959	Australia .
2285163	4/1976	France .
641210	8/1933	Germany .
687817	1/1940	Germany .
369590	3/1939	Italy .
1009947	11/1965	United Kingdom .
1173714	12/1969	United Kingdom .
1424565	2/1976	United Kingdom .
2063142	6/1981	United Kingdom .

OTHER PUBLICATIONS

Union Fork And Hoe Catalog, Dec. 1986, p. 18, Shovel, Item No. 4.

Protest of Melnor—Filed in U.S. Reissued Patent Application No. 08/693,799.

Protest of Untion Tools—Filed in U.S. Reissued Patent Application No. 08/693,799.

Primary Examiner—Philip S. Hyder
Attorney, Agent, or Firm—Thomas W. Tolpin

[57] **CLAIM**

The ornamental design for a handgrip for a child's snow shovel, as shown.

DESCRIPTION

FIG. 1 is a perspective view of a handgrip for a child's snow shovel showing our new design;

FIG. 2 is a front view thereof;

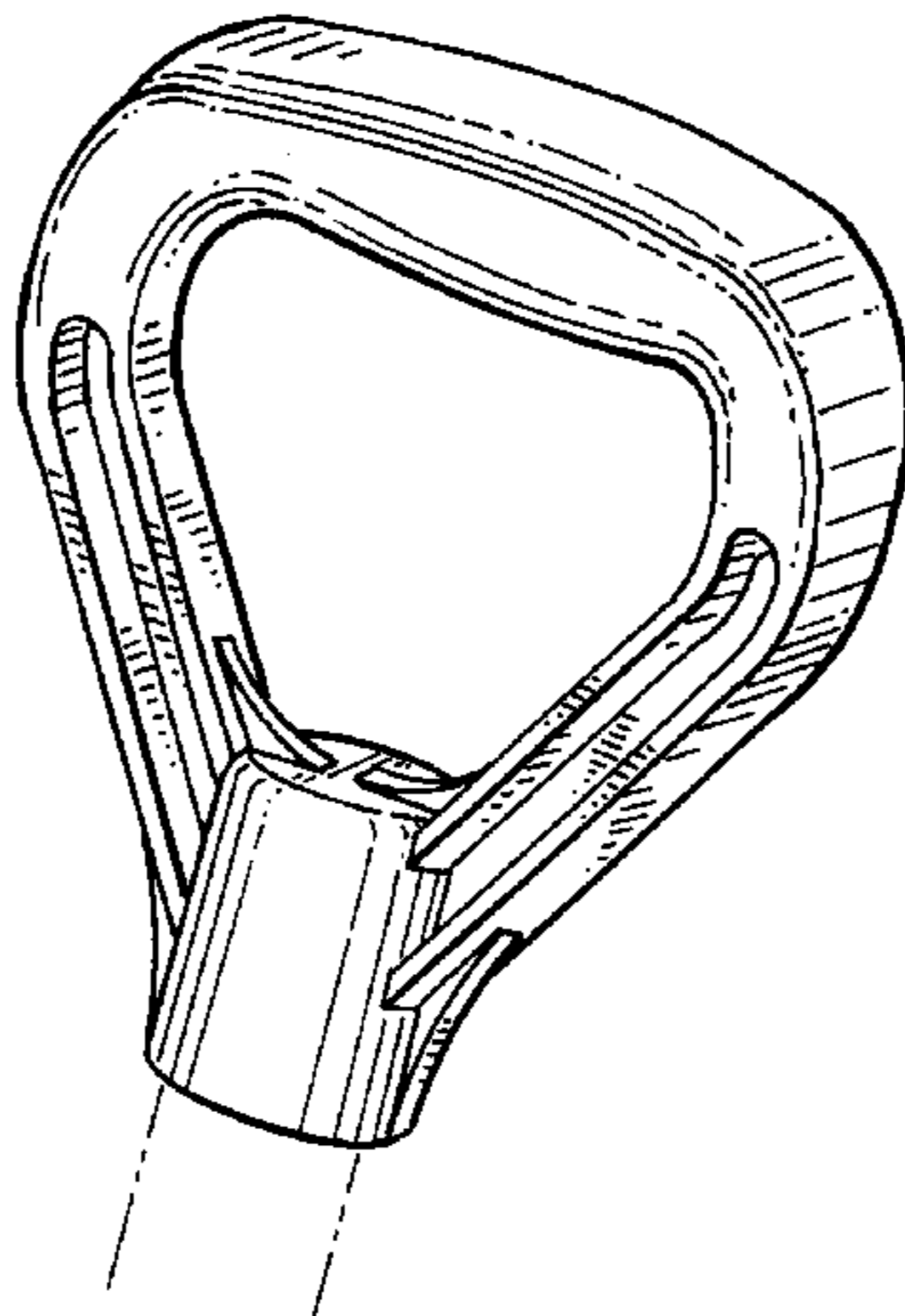


FIG. 3 is a left side view thereof, the right side view being a mirror image and symmetrical thereto;

FIG. 4 is a back view thereof;

FIG. 5 is a top view thereof;

FIG. 6 is a bottom view thereof;

FIG. 7 is an enlarged perspective view of the handgrip for a child's snow shovel showing or new design;

FIG. 8 is a front view thereof;

FIG. 9 is a right side view thereof, the left side view being a mirror image and symmetrical thereto;

FIG. 10 is a back view thereof;

FIG. 11 is a top view thereof; and,

FIG. 12 is a bottom view thereof.

The broken line portions of the drawing disclosure are for illustrative purposes only and form no part of the claimed design.

1 Claim, 4 Drawing Sheets

FIG. 1

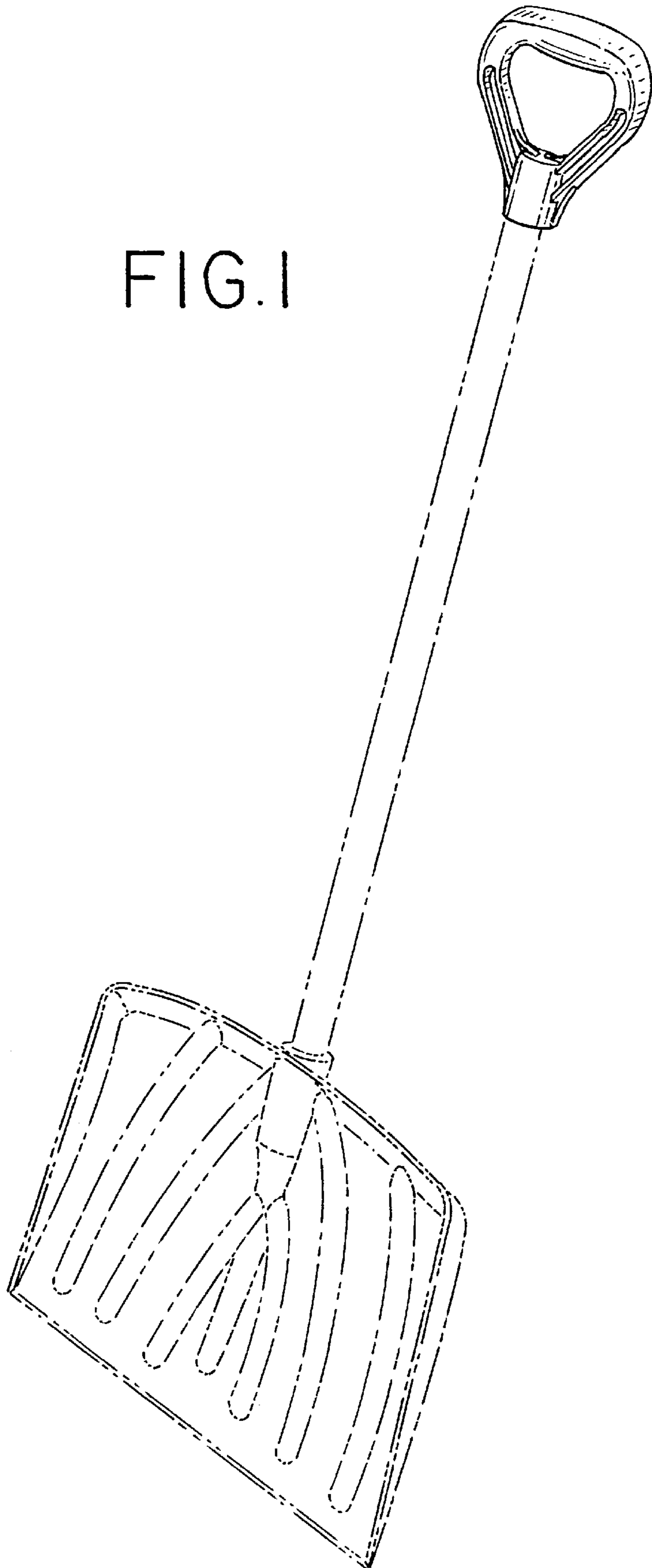


FIG. 2

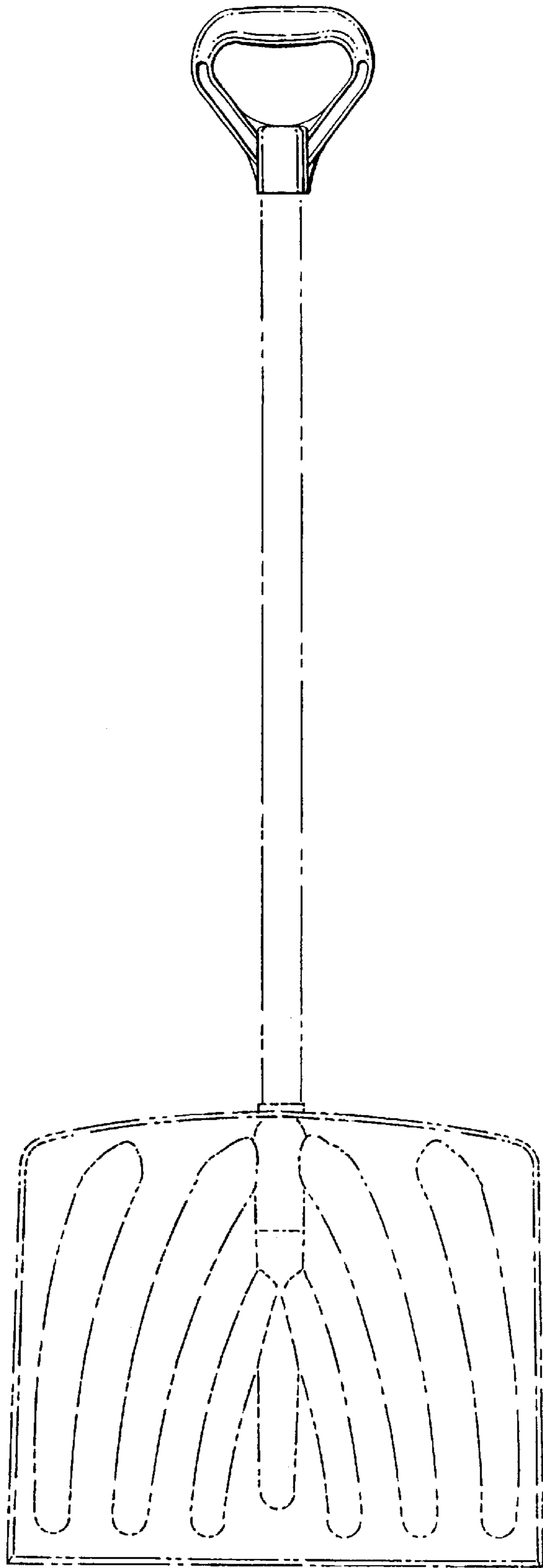


FIG. 3

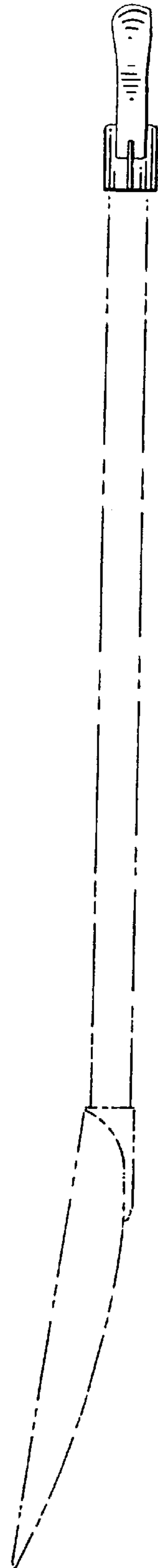


FIG. 4

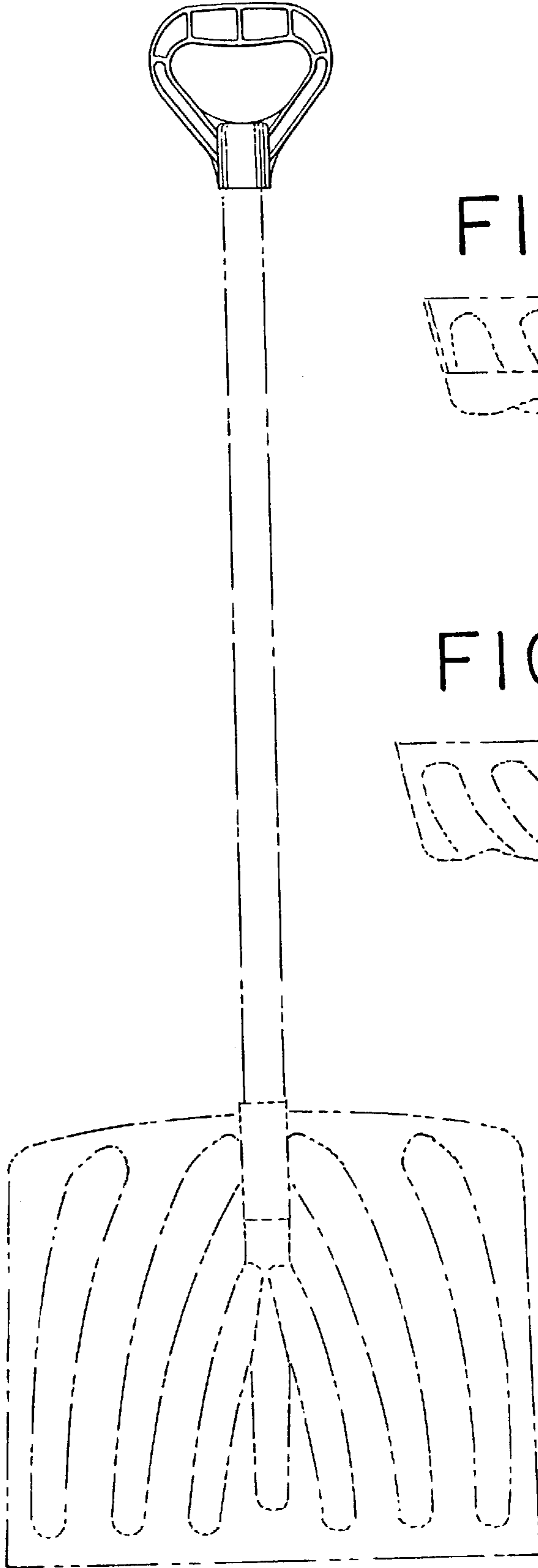


FIG. 5

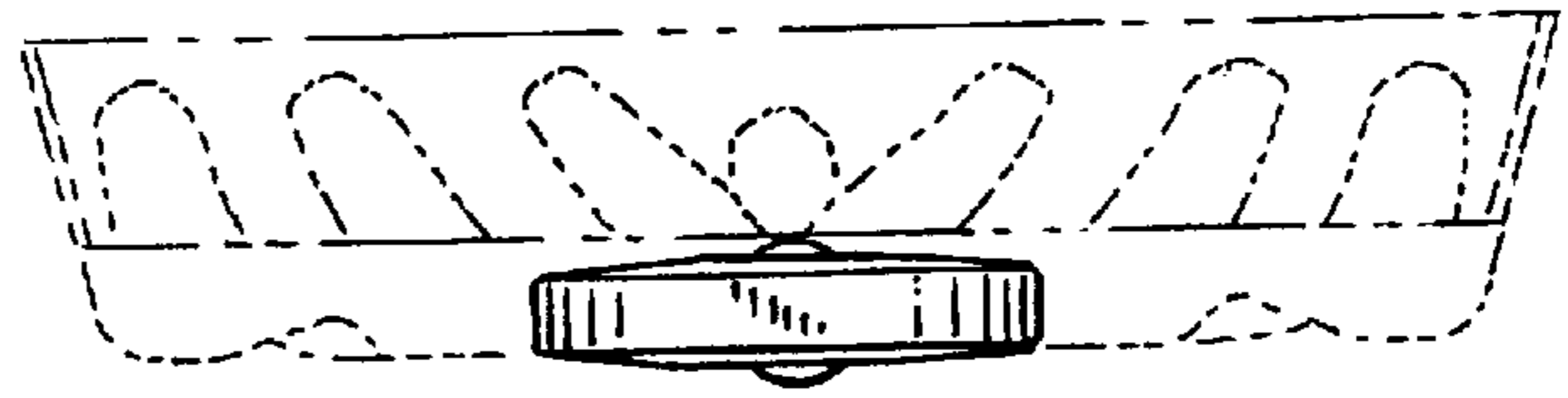


FIG. 6

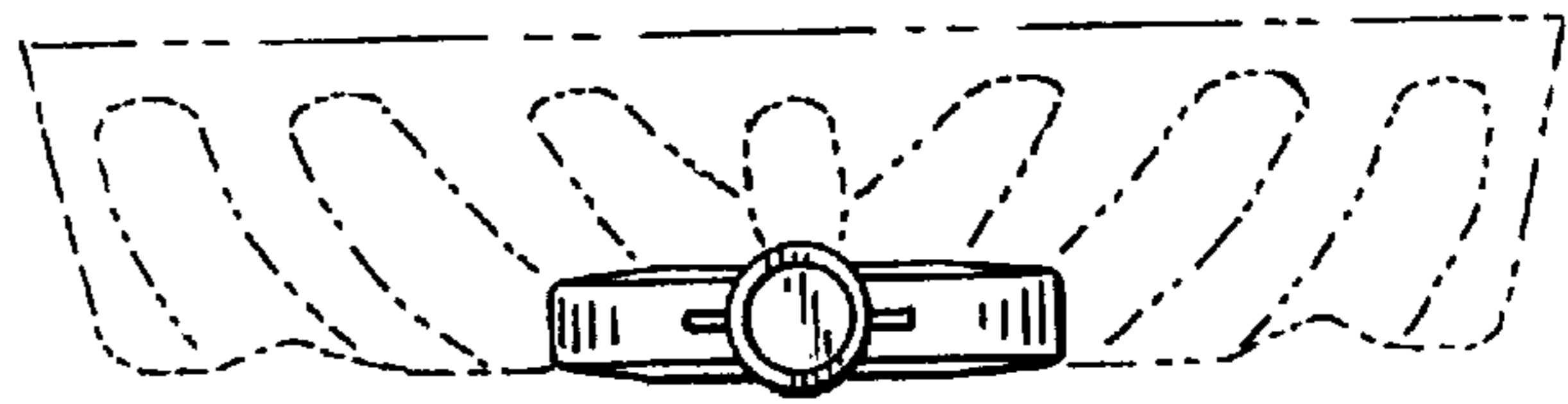


FIG. 7

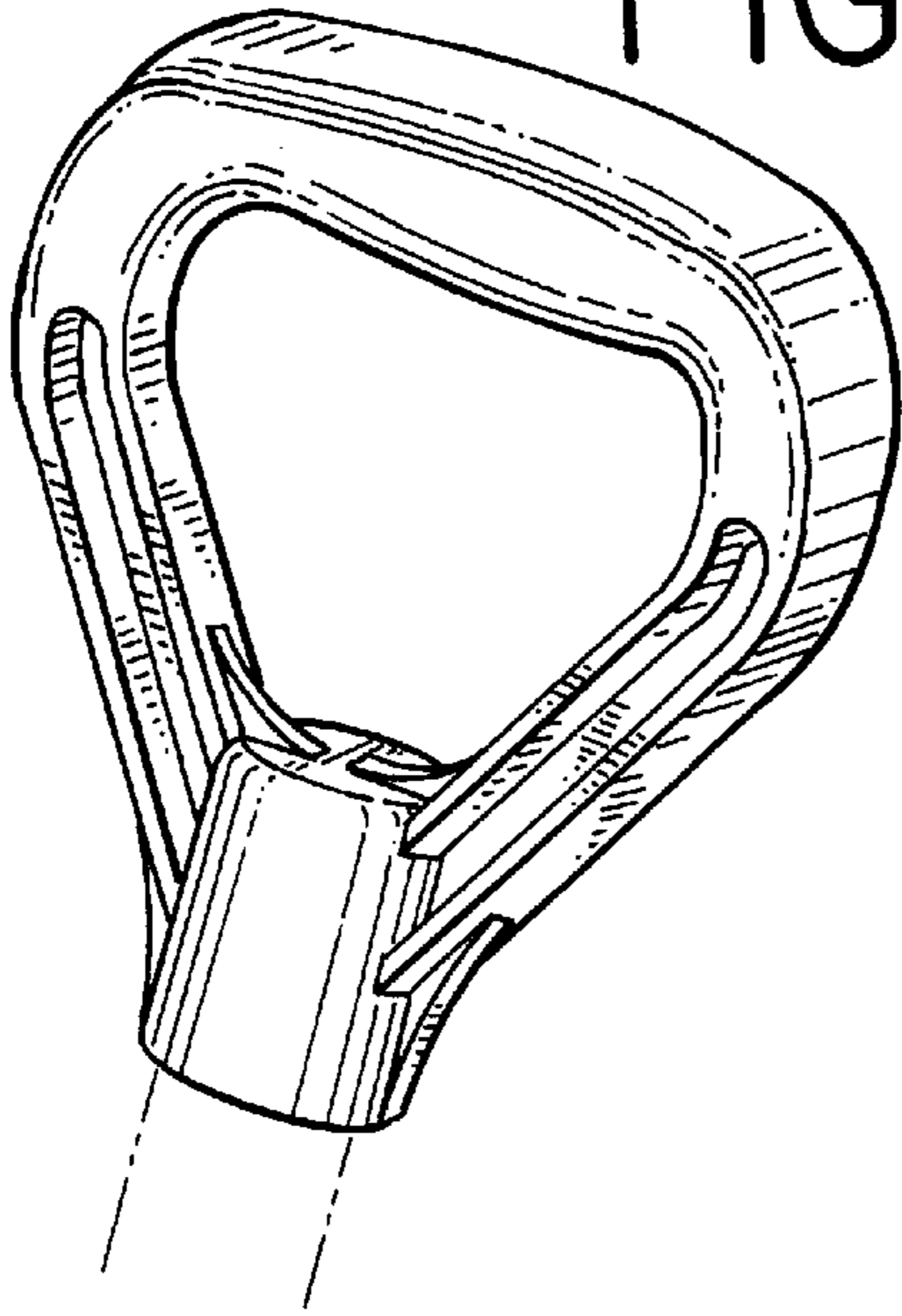


FIG. 10

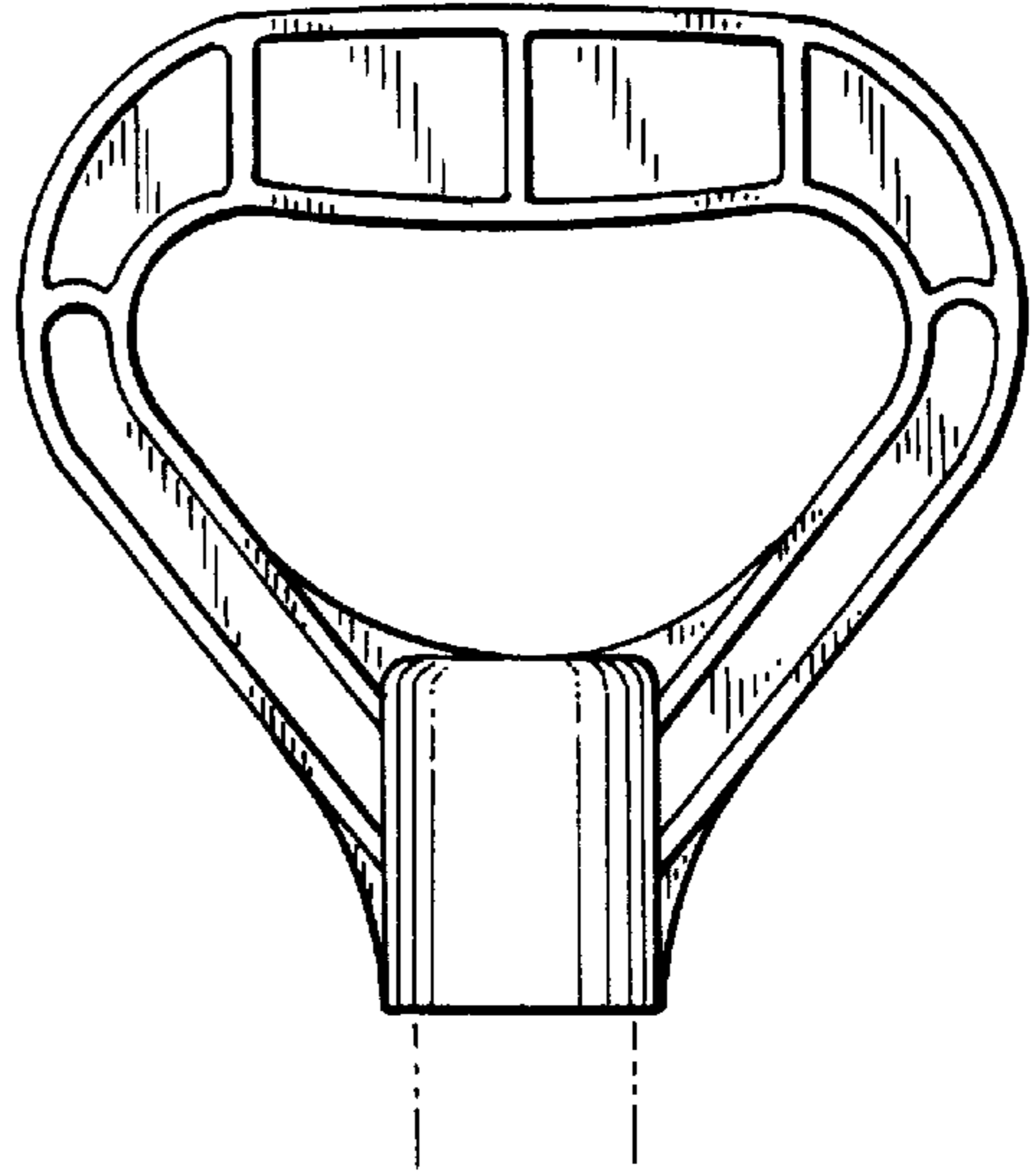


FIG. 11

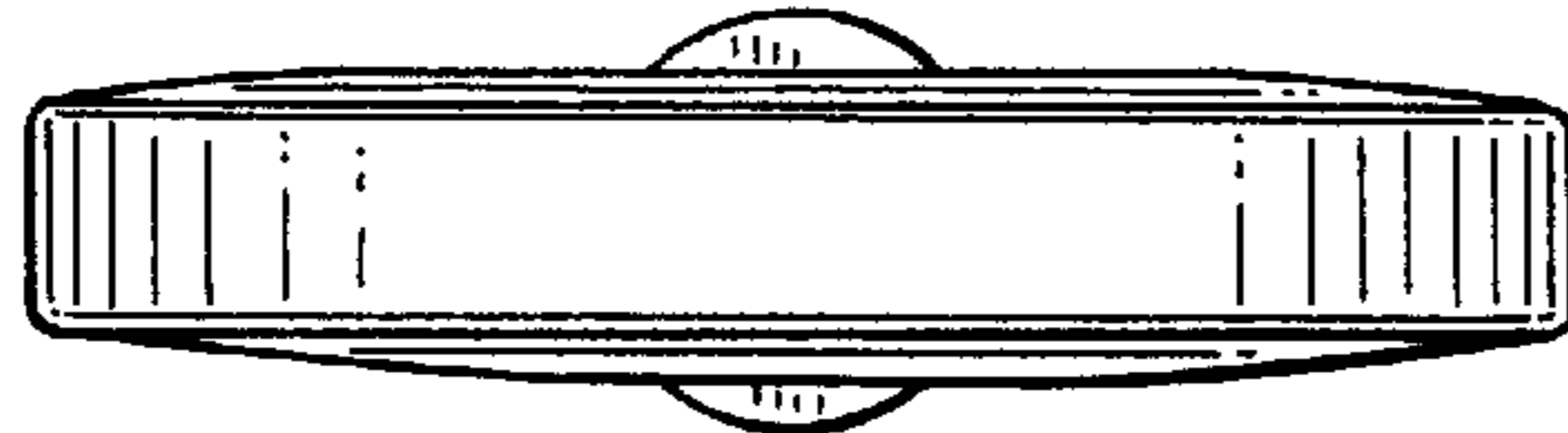


FIG. 8

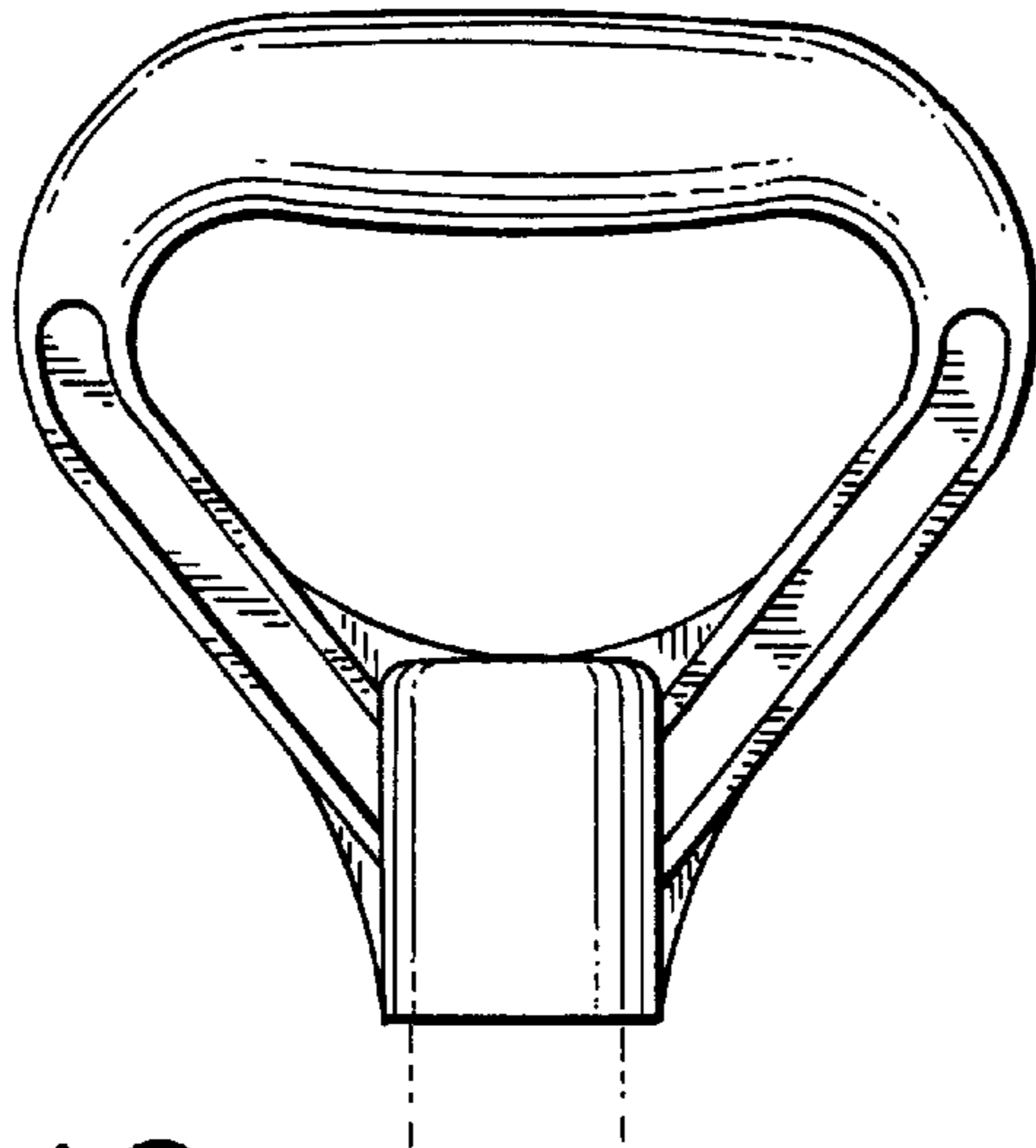


FIG. 9

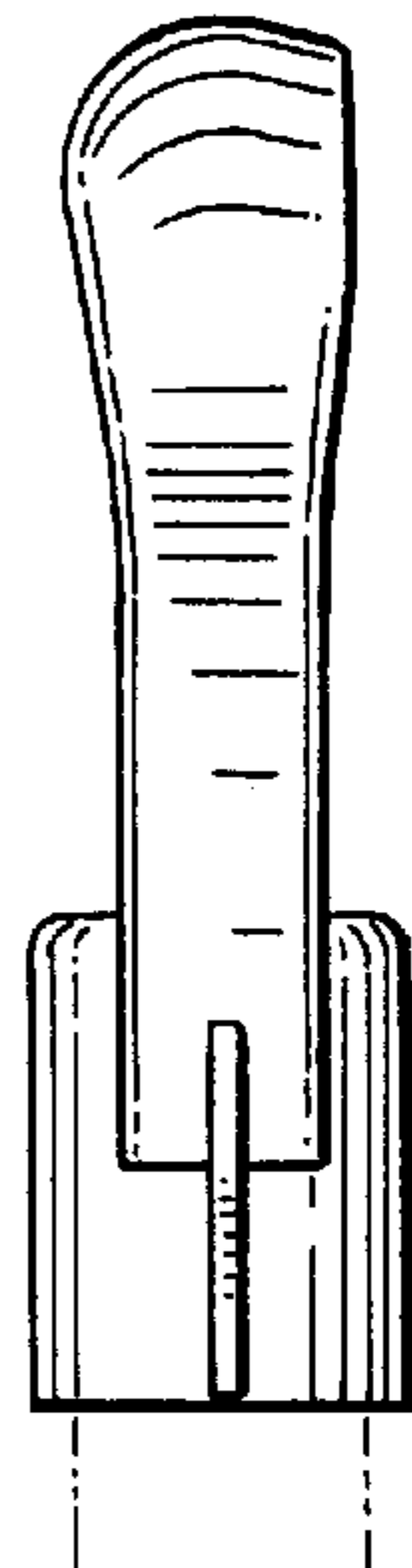


FIG. 12

