



US00D401827S

# United States Patent [19] Lui

[11] **Patent Number: Des. 401,827**

[45] **Date of Patent: \*\*Dec. 1, 1998**

[54] **ELECTRIC HAND SAW**

5,031,325 7/1991 Walter et al. .... 30/390  
5,529,523 6/1996 Desrosiers ..... 451/344

[75] Inventor: **Tat Nin Lui**, Aberdeen, Hong Kong

[73] Assignee: **Choon Nang Electrical Appliance Mftg. Ltd.**, Aberdeen, Hong Kong

[\*\*] Term: **14 Years**

*Primary Examiner*—Antoine Duval Davis  
*Attorney, Agent, or Firm*—Miller, Sisson, Chapman, & Nash, P.C.

[21] Appl. No.: **76,757**

[22] Filed: **Sep. 22, 1997**

### [57] CLAIM

The ornamental design for an electric hand saw, as shown and described.

### [30] Foreign Application Priority Data

Mar. 26, 1997 [GB] United Kingdom ..... 2064537

[51] **LOC (6) Cl.** ..... **08-03**

[52] **U.S. Cl.** ..... **D8/66**

[58] **Field of Search** ..... D8/66; 30/123,  
30/122, 388-391; 7/148; 408/118, 119;  
83/490; 451/344, 323, 278

### DESCRIPTION

FIG. 1 is a right side elevational view of an electric hand saw showing my new design;

FIG. 2 is a left side elevational view thereof;

FIG. 3 is a top plan view thereof;

FIG. 4 is a bottom plan view thereof;

FIG. 5 is a front end elevational view thereof; and,

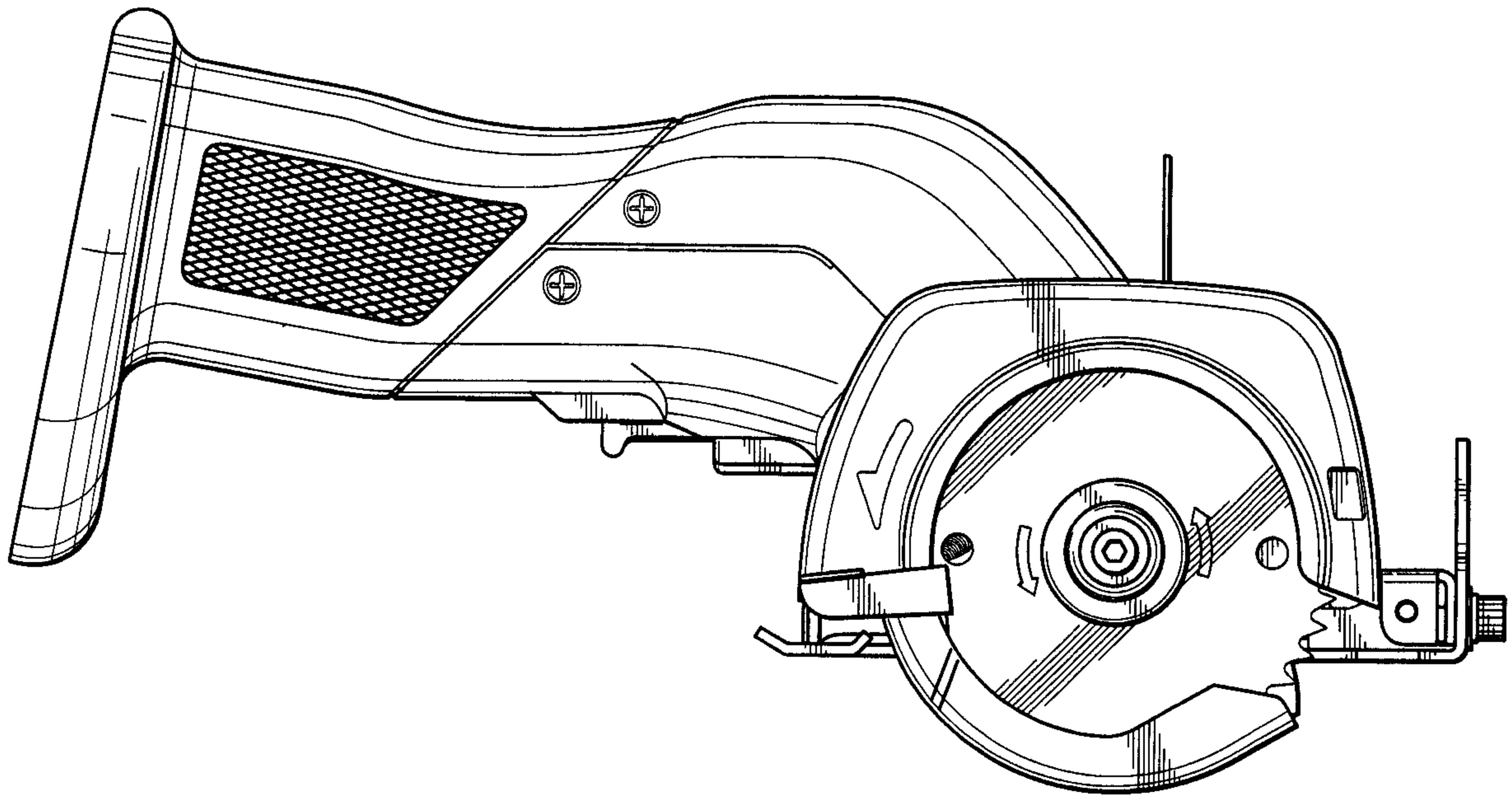
FIG. 6 is a rear end elevational thereof.

### [56] References Cited

#### U.S. PATENT DOCUMENTS

D. 375,439 11/1996 Niwa et al. .... D8/66

**1 Claim, 5 Drawing Sheets**



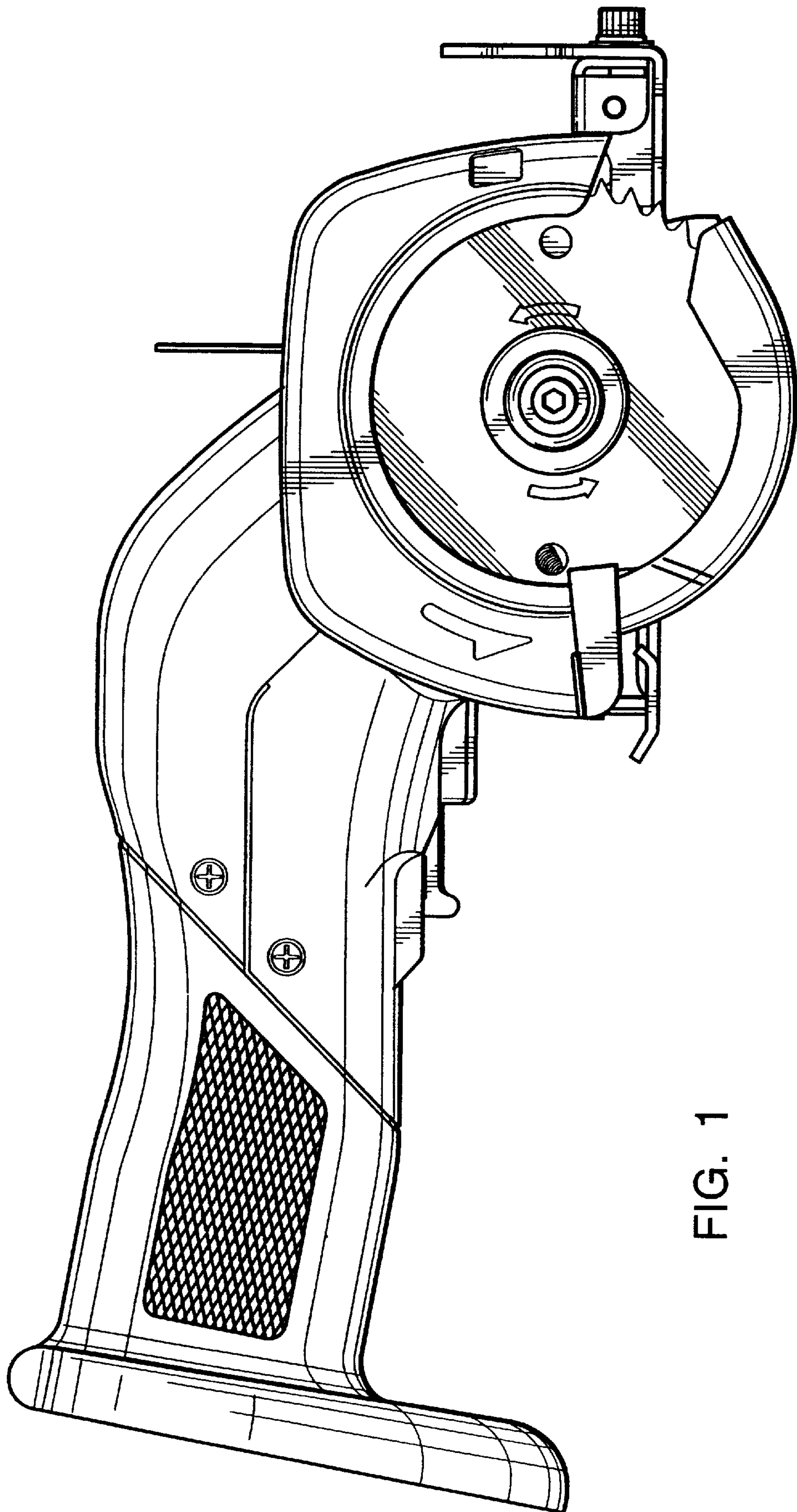


FIG. 1

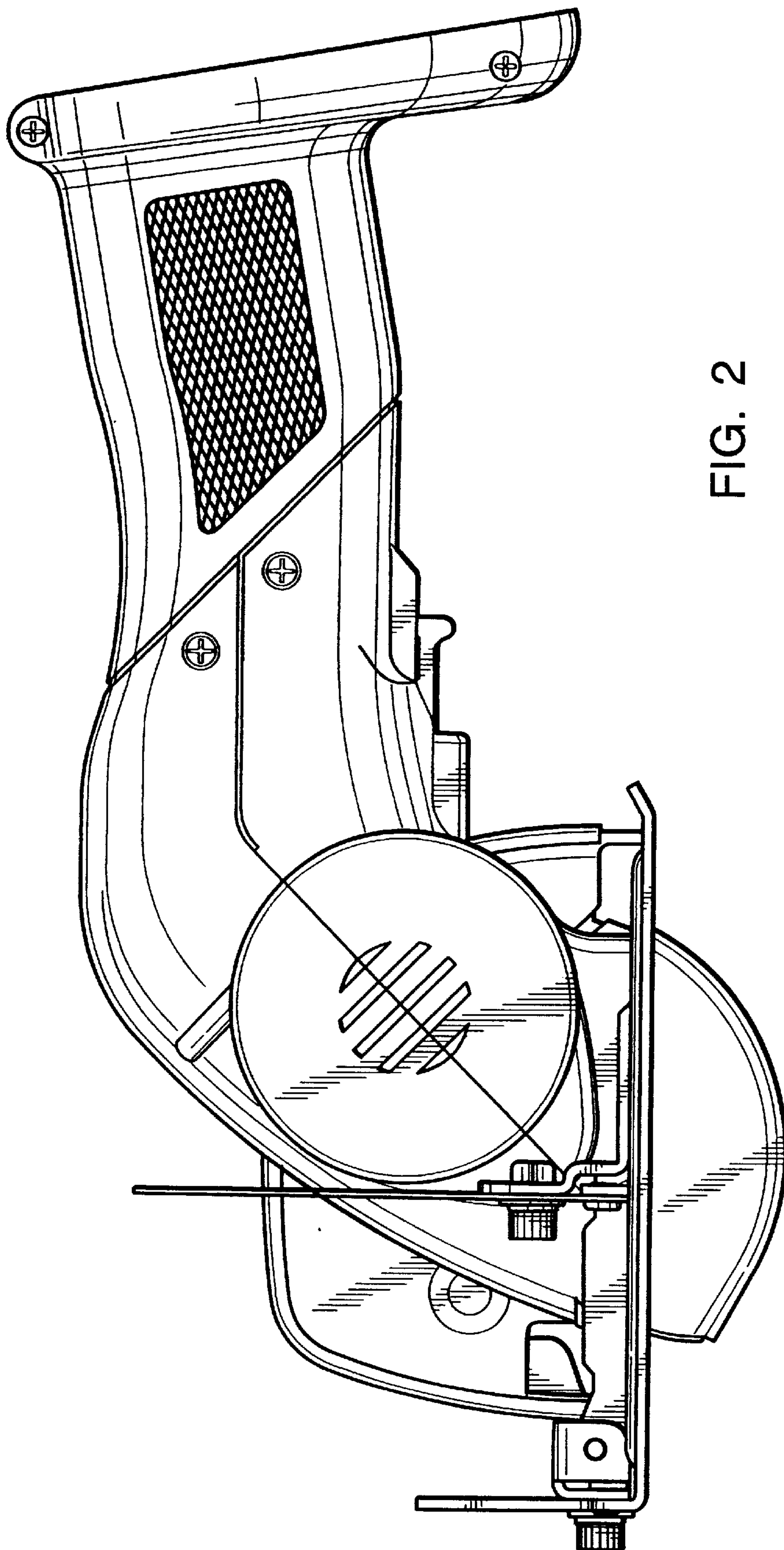


FIG. 2



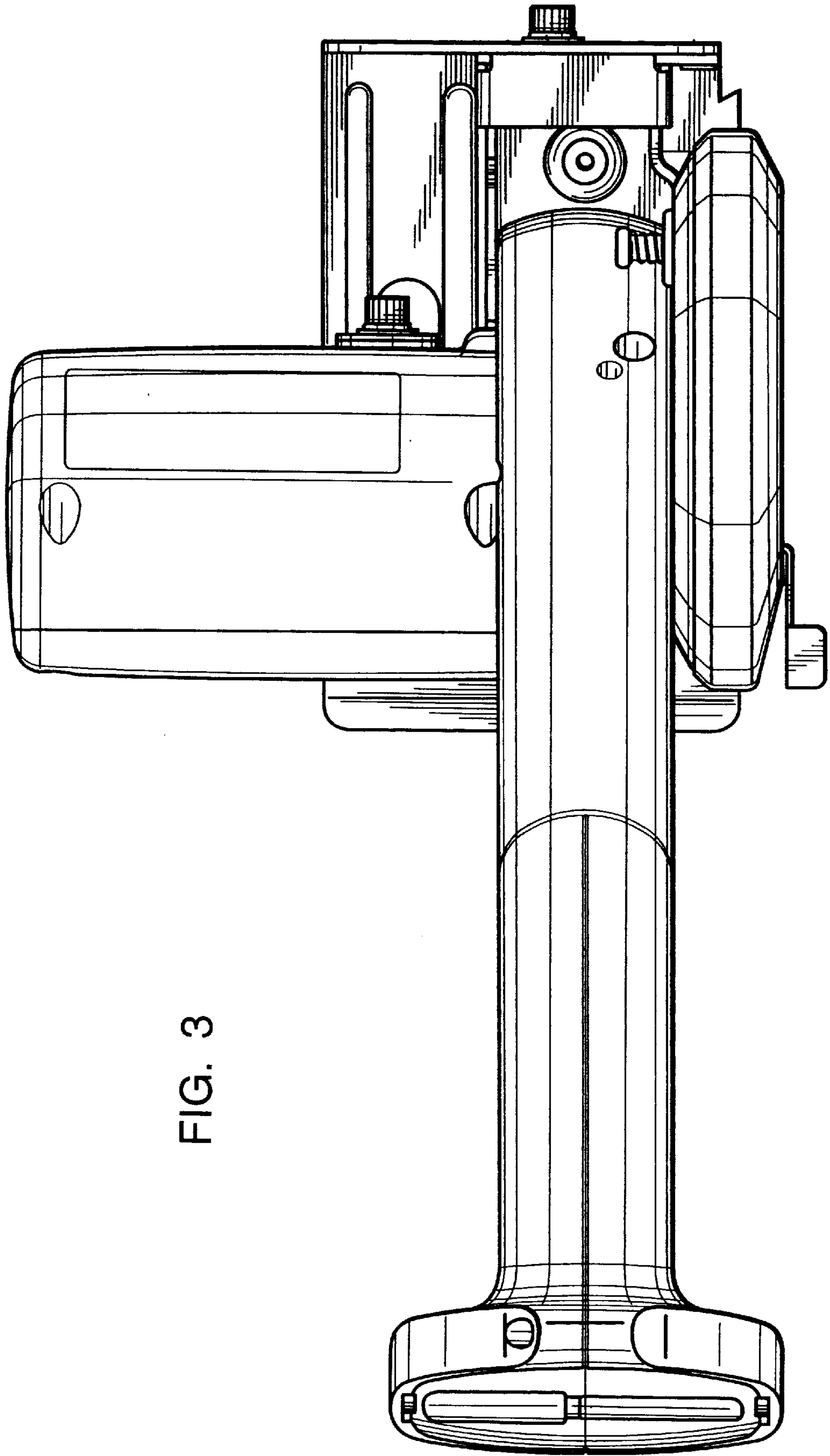


FIG. 3

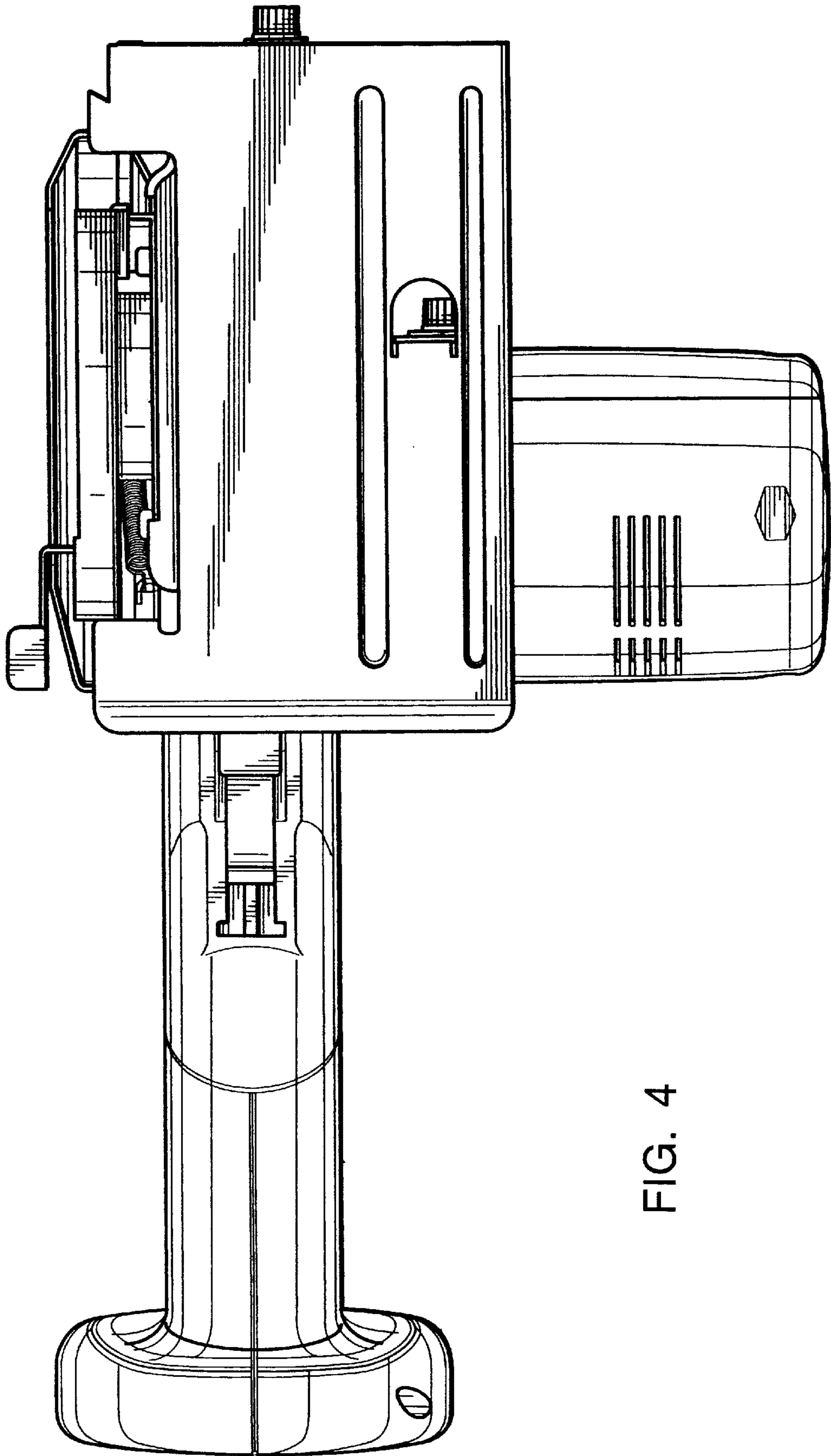


FIG. 4

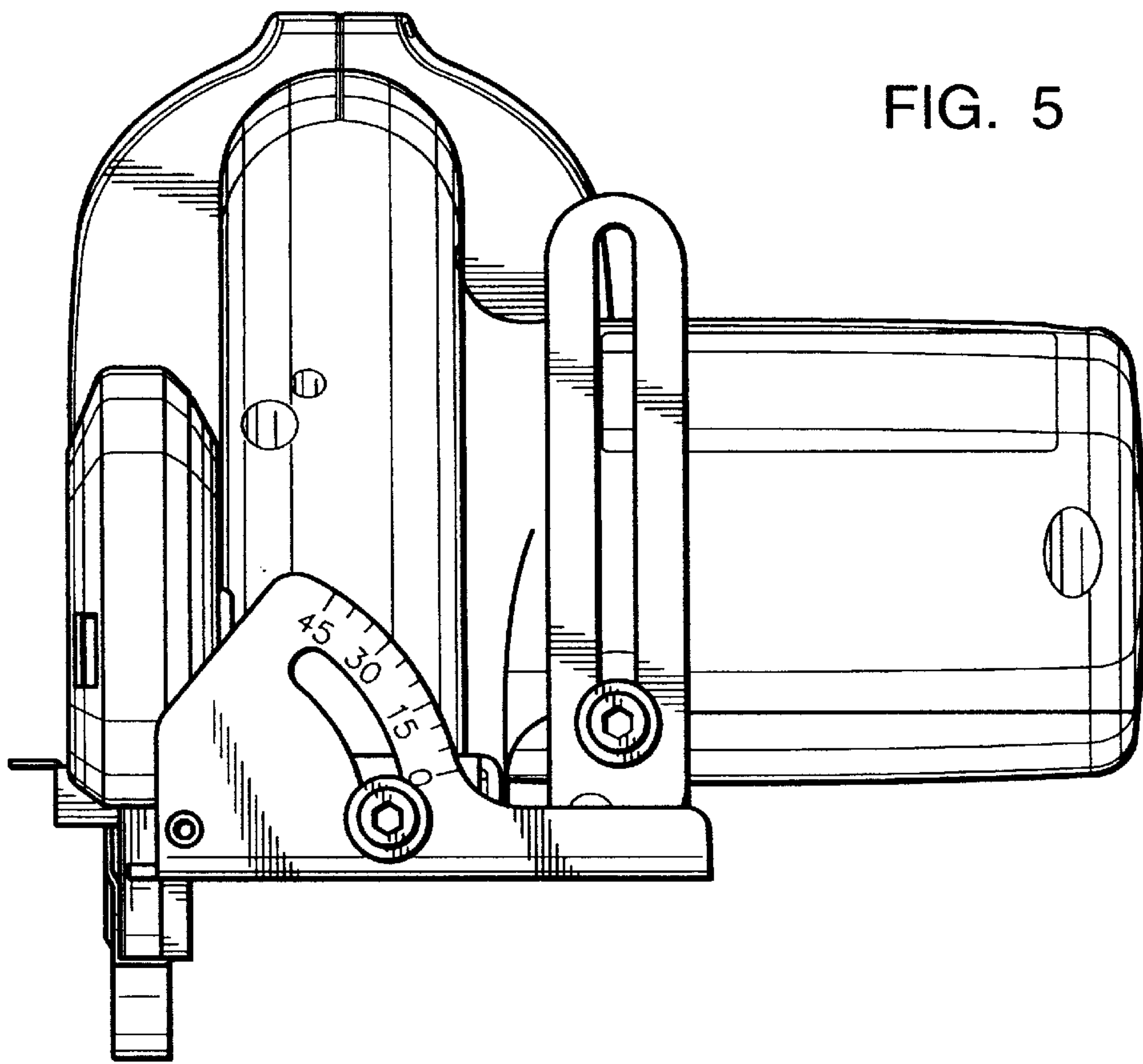


FIG. 5

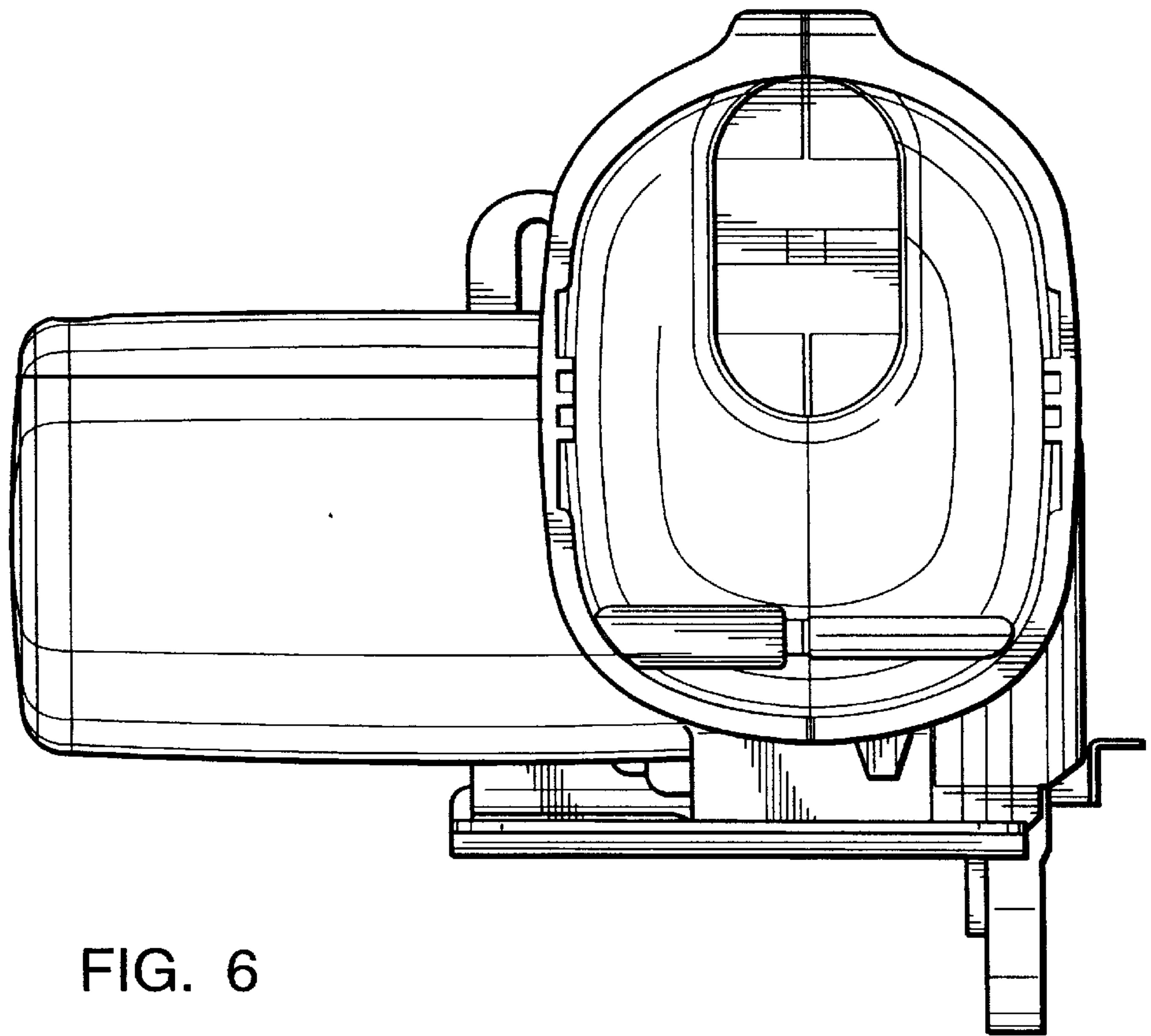


FIG. 6