

US00D401817S

United States Patent [19]

Doret, Jr. et al.

[11] Patent Number: **Des. 401,817**

[45] Date of Patent: ****Dec. 1, 1998**

[54] **COMBINED SPICE RACK AND BOTTLES THEREFOR**

[75] Inventors: **Edese A. Doret, Jr.; Angielina Doret,** both of Bronx, N.Y.

[73] Assignee: **M. Kamenstein, Inc.,** Elmsford, N.Y.

[**] Term: **14 Years**

[21] Appl. No.: **81,898**

[22] Filed: **Jan. 10, 1998**

[51] **LOC (6) Cl.** **07-06**

[52] **U.S. Cl.** **D7/701; D7/590; D9/545; D9/517**

[58] **Field of Search** **D7/701, 704, 707, D7/708, 590, 598; D6/458, 462-464; 211/74, 85.18, 85.31, 126.9, 128.1, 133.2, 133.5, 181.1; 248/175, 176.1; D9/505, 545-546, 517**

[56] **References Cited**

U.S. PATENT DOCUMENTS

D. 250,090	10/1978	Strang et al.	D9/546
D. 386,689	11/1997	Schwartz	D9/546
1,514,375	11/1924	Crimmel	211/74

Primary Examiner—Terry A. Wallace
Attorney, Agent, or Firm—Robert A. Koons, Jr.

[57] **CLAIM**

The ornamental design for a combined spice rack and bottles therefor, as shown and described.

DESCRIPTION

FIG. 1 is a left elevational view thereof, with broken lines showing matter for illustrative purposes only and forming no part of the claimed design;

FIG. 2 is a right elevational view thereof, with broken lines showing matter for illustrative purposes only and forming no part of the claimed design;

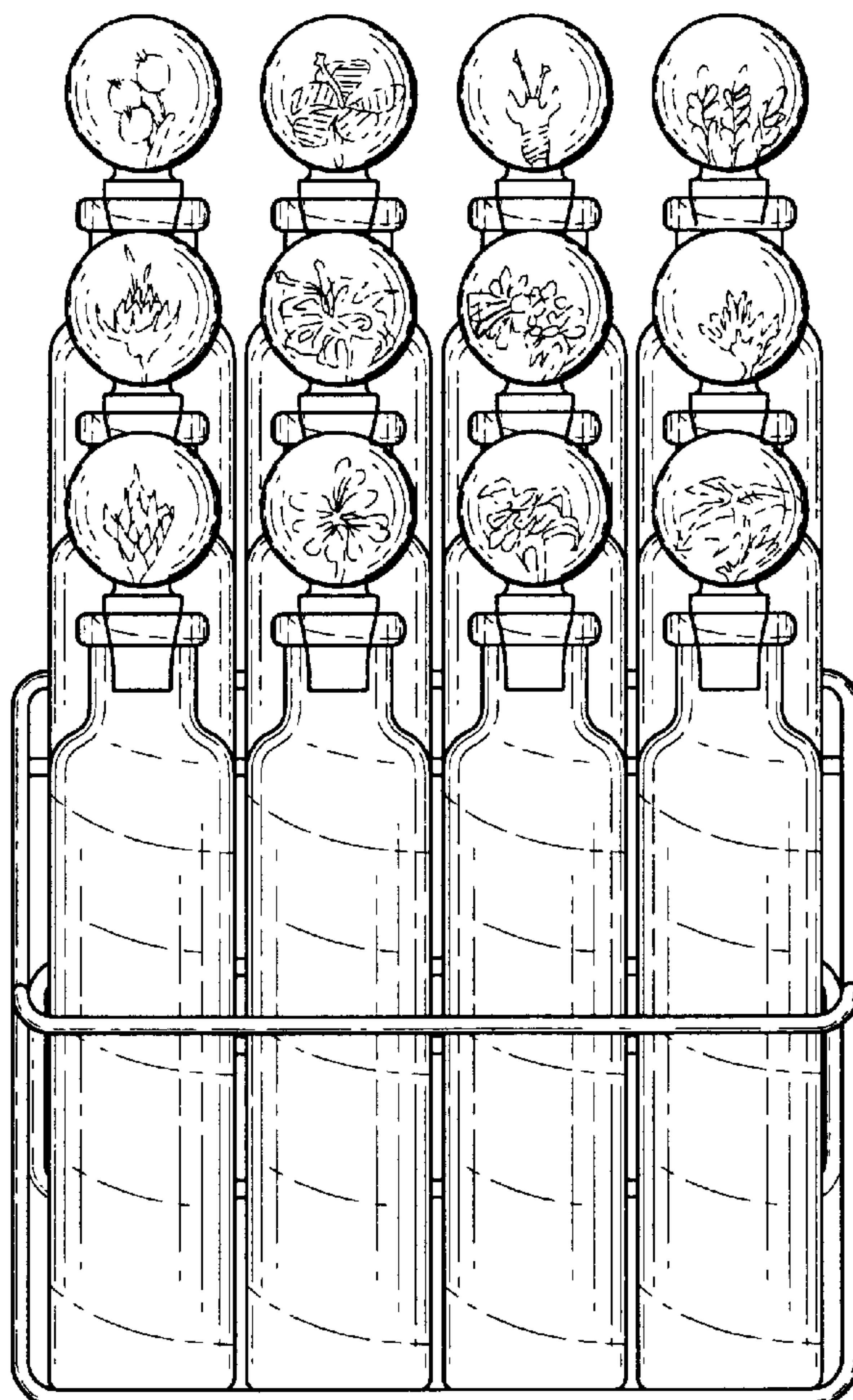
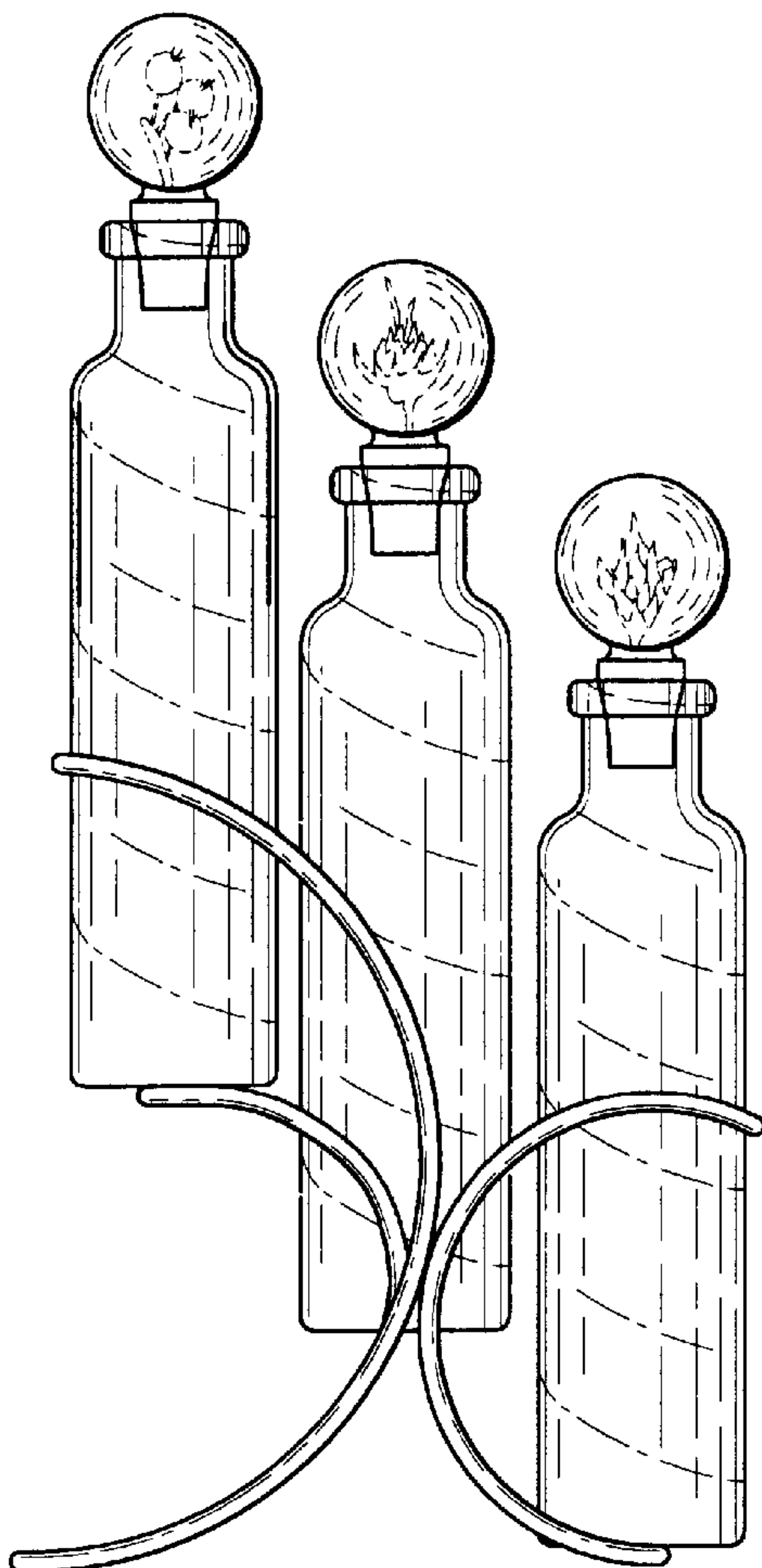
FIG. 3 is a front elevational view thereof, with broken lines showing matter for illustrative puposes only and forming no part of the claimed design;

FIG. 4 is a back elevational view thereof, with broken lines showing matter for illustrative purposes only and forming no part of the claimed design;

FIG. 5 is a bottom plan view thereof, with broken lines showing matter for illustrative purposes only and forming no part of the claimed design; and,

FIG. 6 is a top plan view thereof, with broken lines showing matter for illustrative purposes only and forming no part of the claimed design.

1 Claim, 3 Drawing Sheets



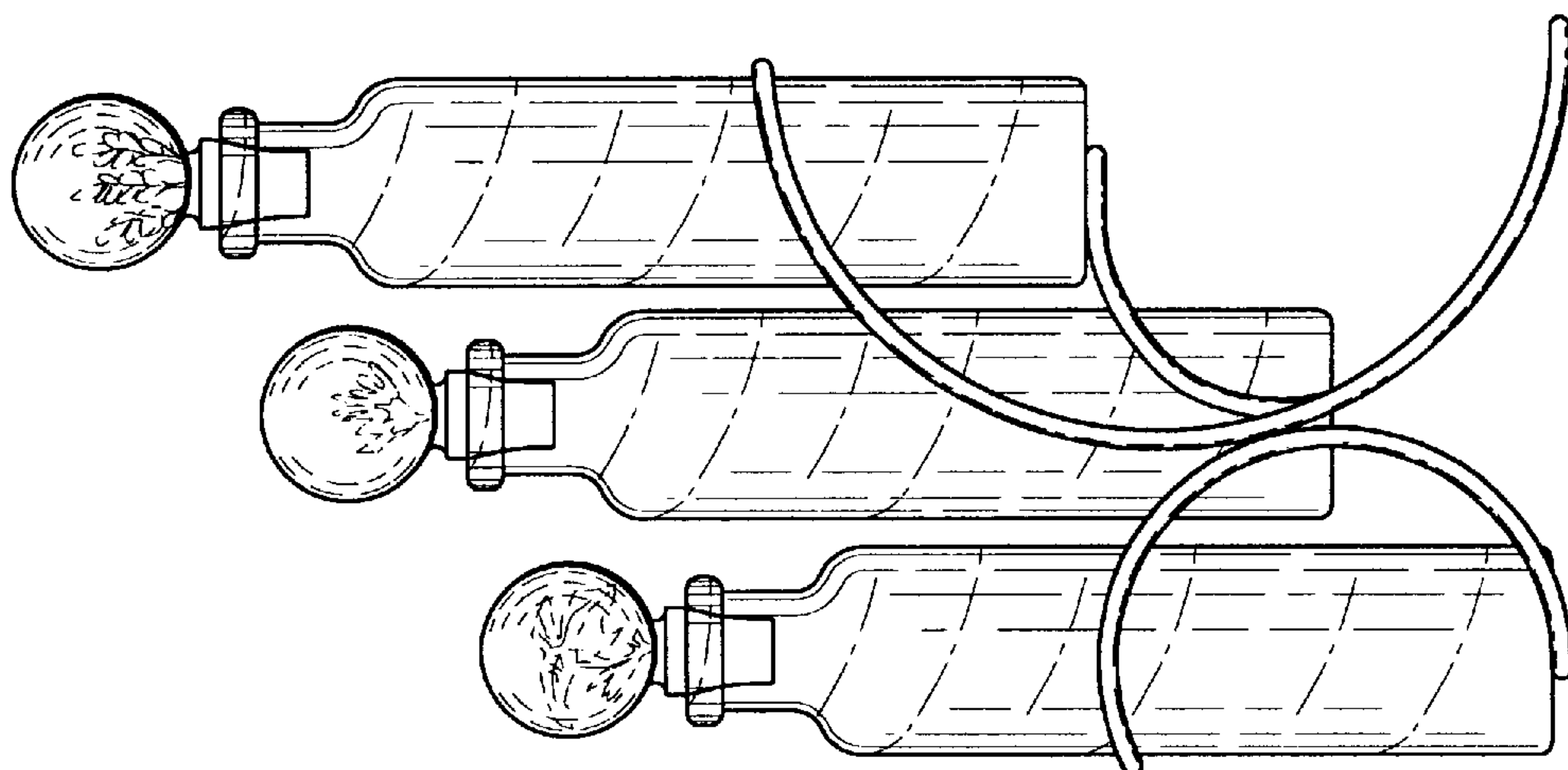


FIG. 2

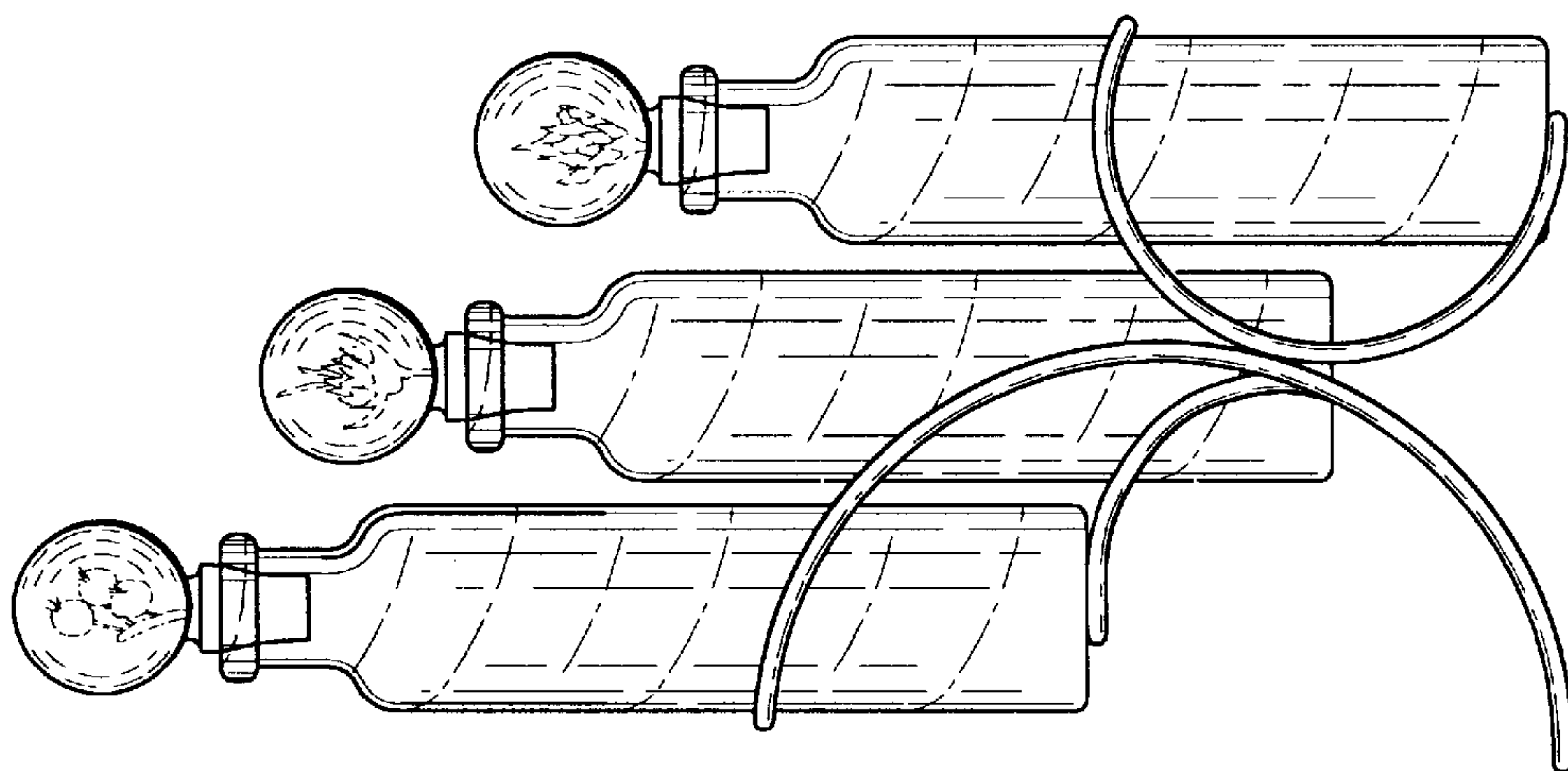


FIG. 1

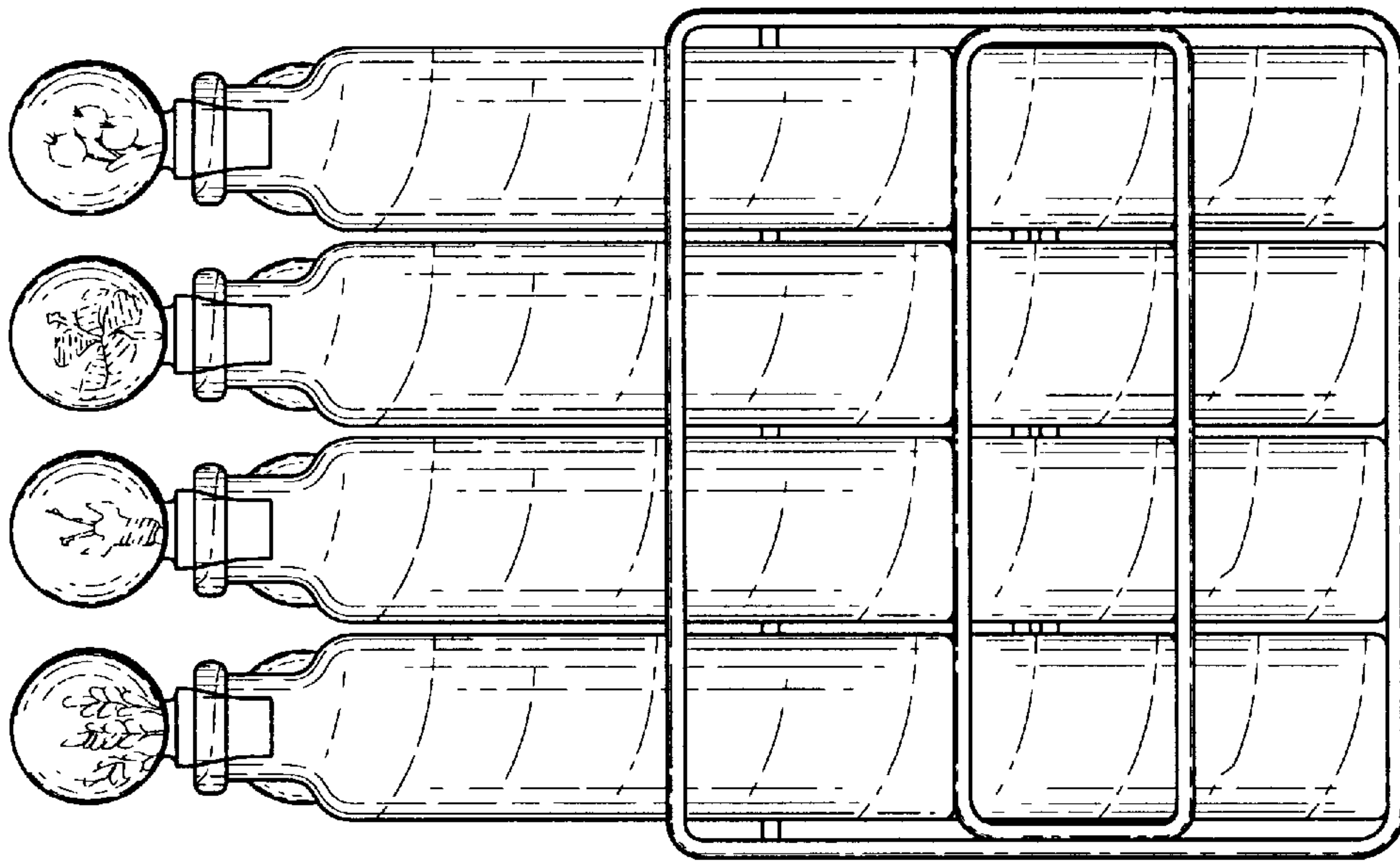


FIG. 4

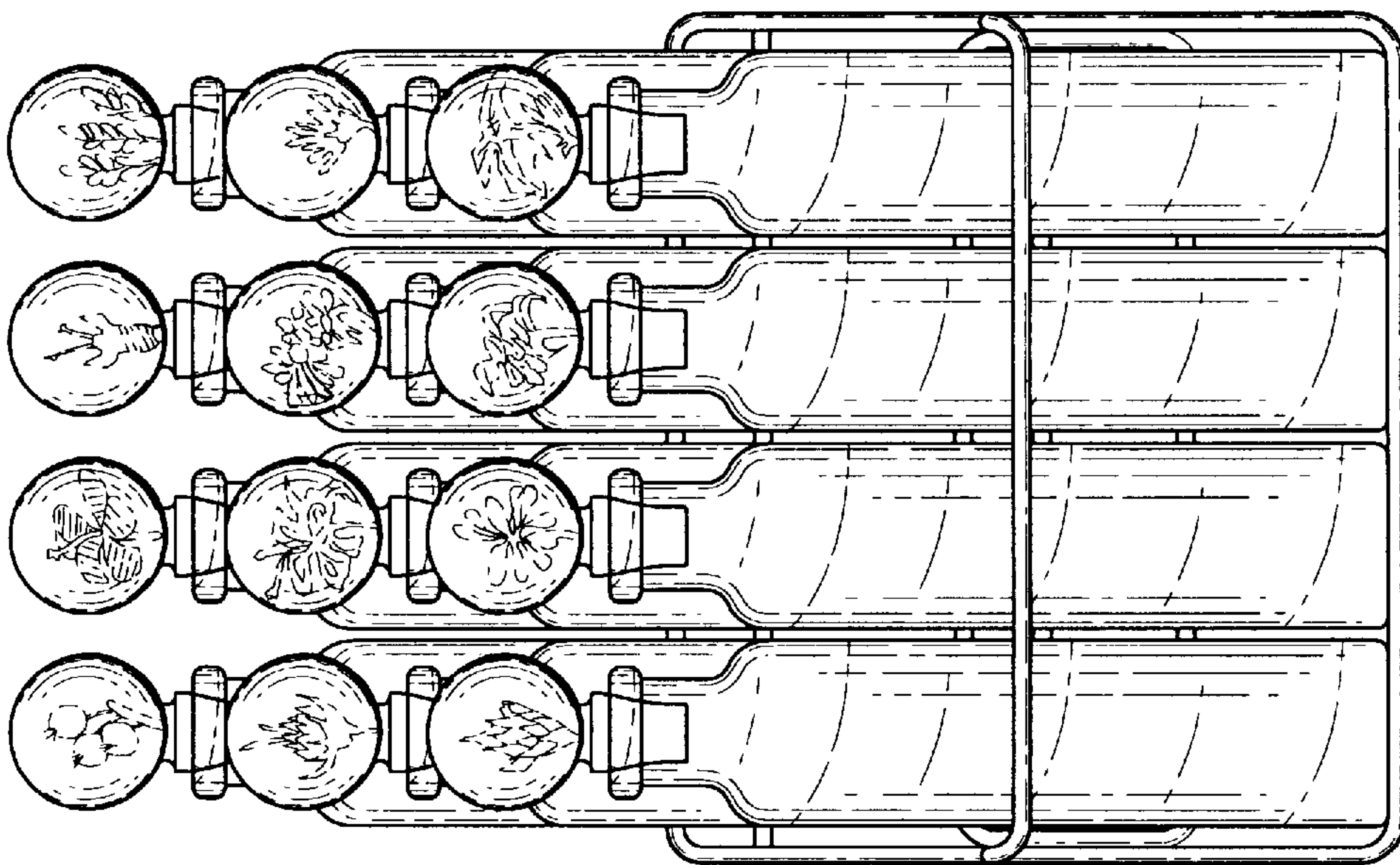


FIG. 3

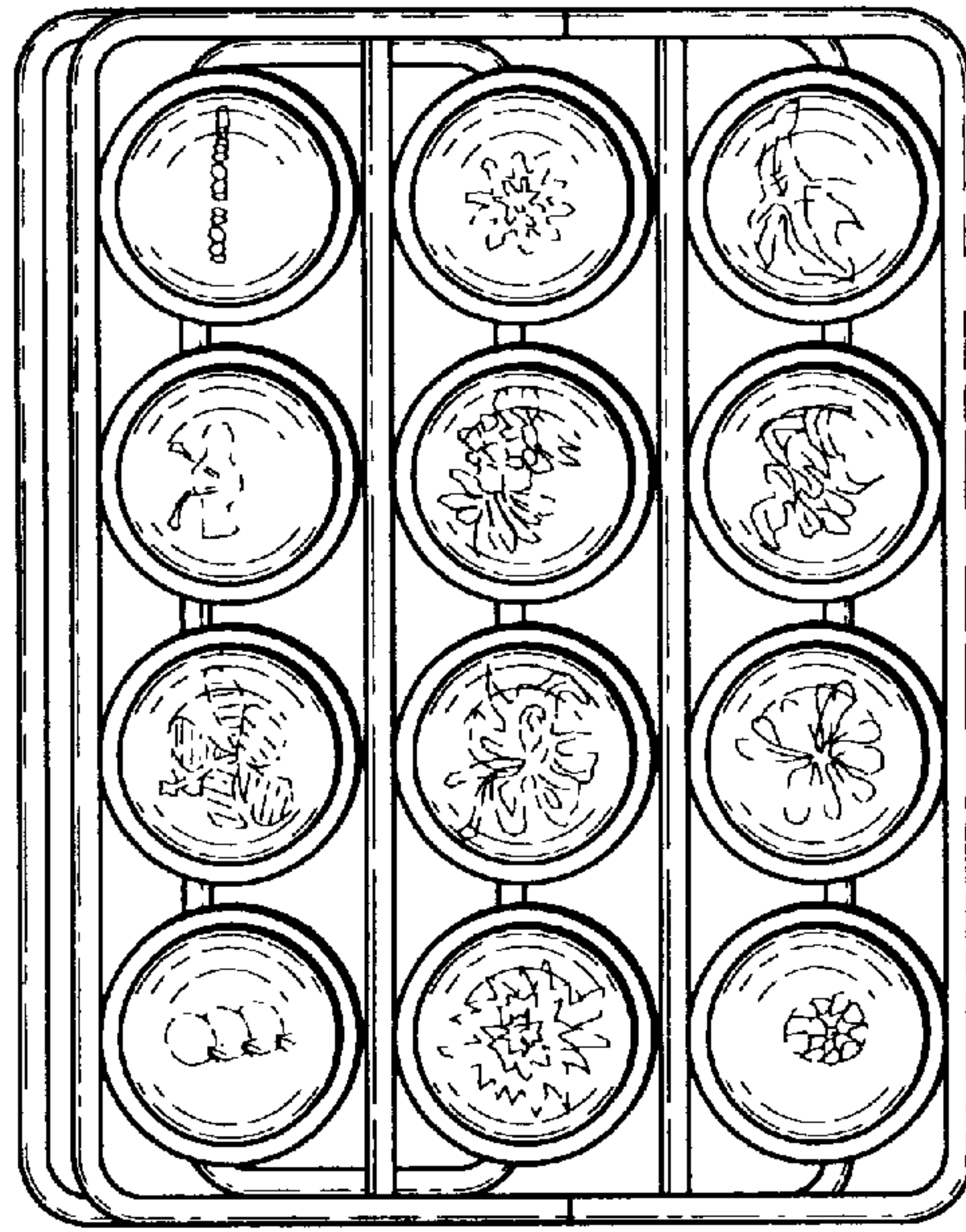


FIG. 6

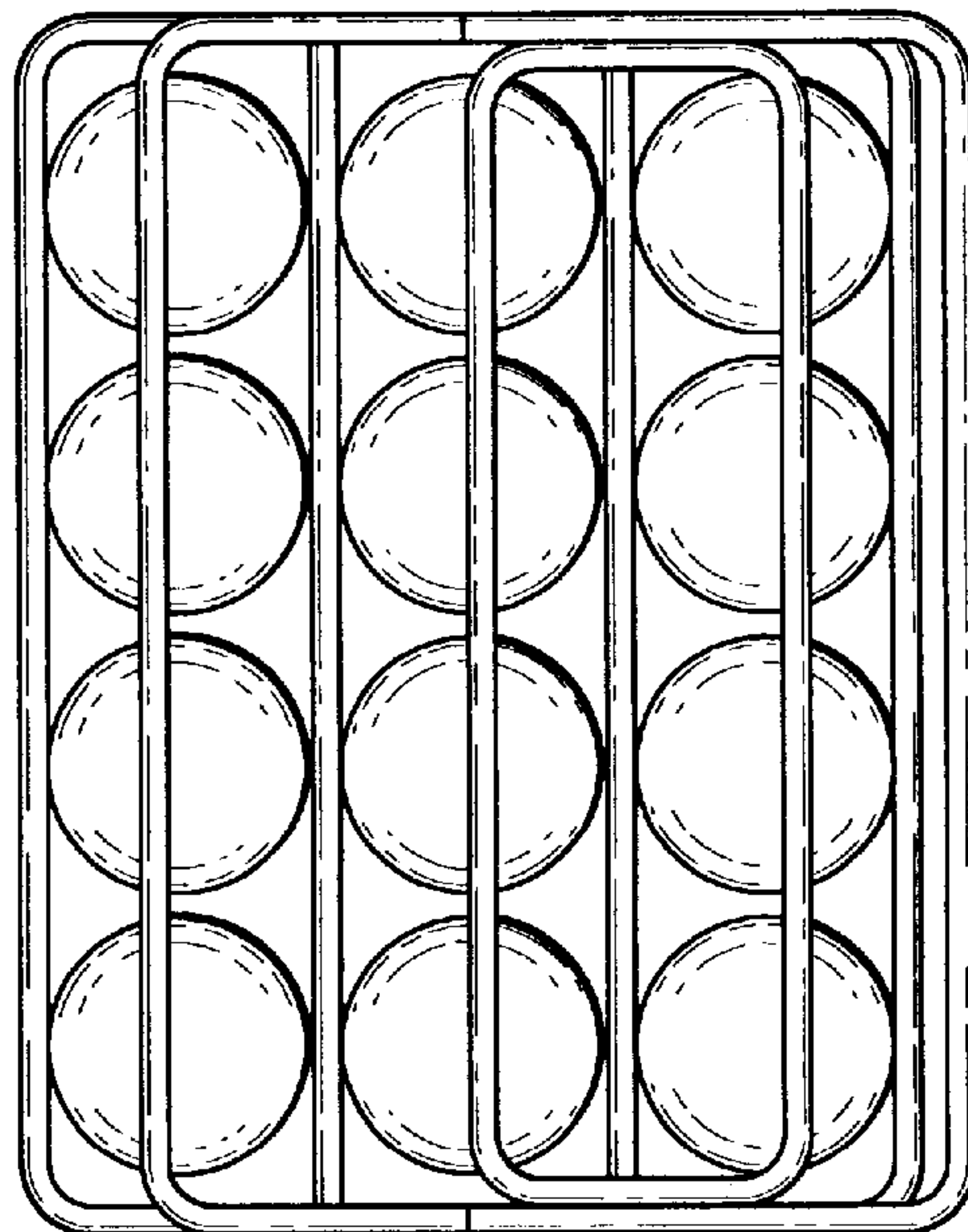


FIG. 5