



US00D401815S

**United States Patent** [19]  
**Filipovic**

[11] **Patent Number: Des. 401,815**

[45] **Date of Patent: \*\*Dec. 1, 1998**

[54] **MEAT TENDERIZING ROLLER**

D. 365,971 1/1996 Brockman ..... D7/682  
3,138,823 6/1964 Langner ..... 452/145

[76] Inventor: **Antun Filipovic**, 19 Kordun Street,  
Hamilton, Ontario, Canada, L9B-2N2

*Primary Examiner*—Terry A. Wallace

[\*\*] Term: **14 Years**

[57] **CLAIM**

[21] Appl. No.: **81,472**

The ornamental design for a meat tenderizing roller, as shown and described.

[22] Filed: **Jan. 2, 1998**

**DESCRIPTION**

[51] **LOC (6) Cl.** ..... **07-04**

FIG. 1 is a front elevational view of the meat tenderizing roller showing my new design;  
FIG. 2 is a rear elevational view thereof;  
FIG. 3 is a right side view thereof;  
FIG. 4 is a left side view thereof;  
FIG. 5 is a top plan view thereof; and,  
FIG. 6 is a bottom plan view thereof.

[52] **U.S. Cl.** ..... **D7/682**

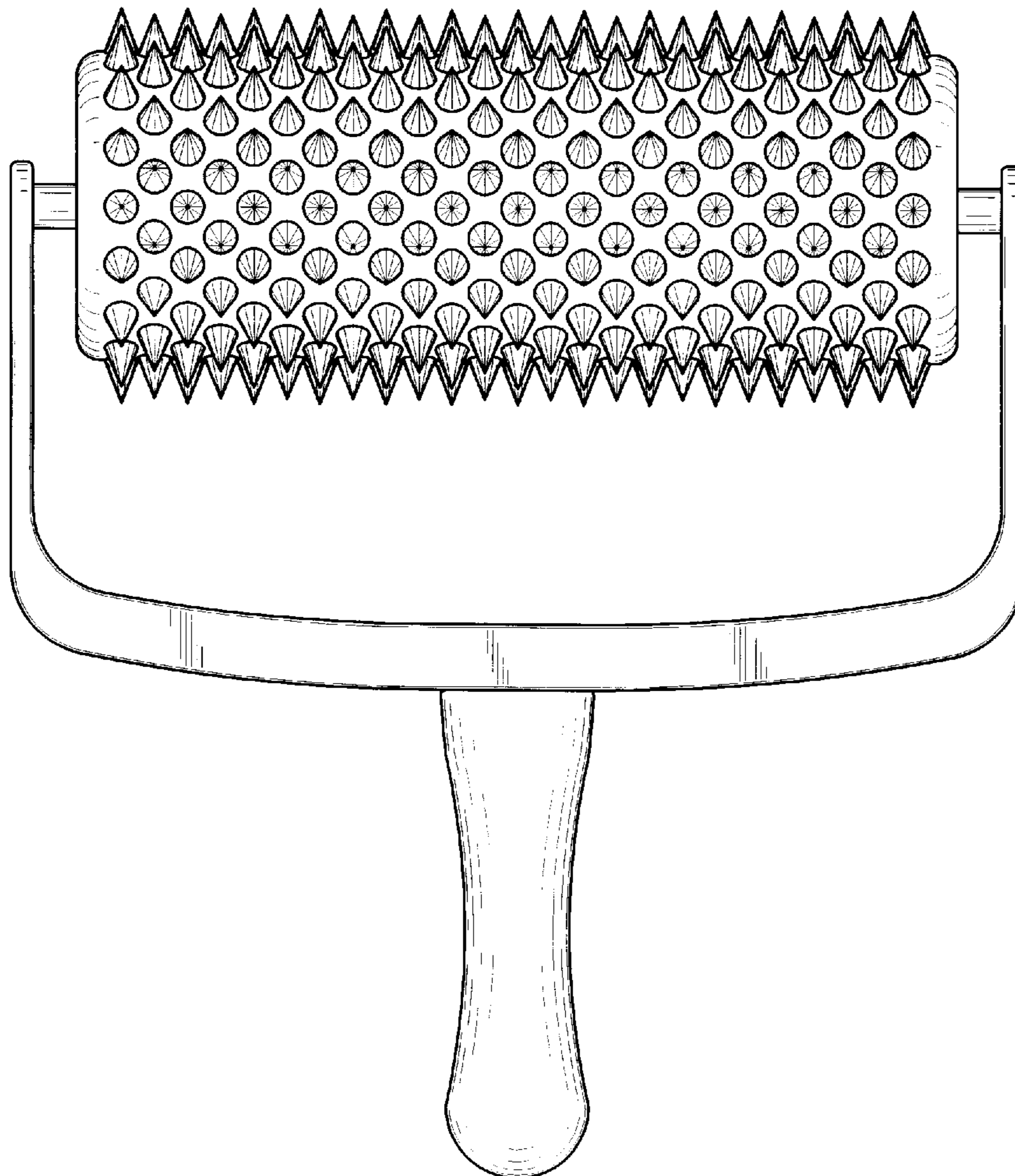
[58] **Field of Search** ..... D7/682, 697; 452/102,  
452/141, 143, 145

[56] **References Cited**

U.S. PATENT DOCUMENTS

D. 253,155 10/1979 Jurida ..... D7/682

**1 Claim, 4 Drawing Sheets**



*FIG. 1*

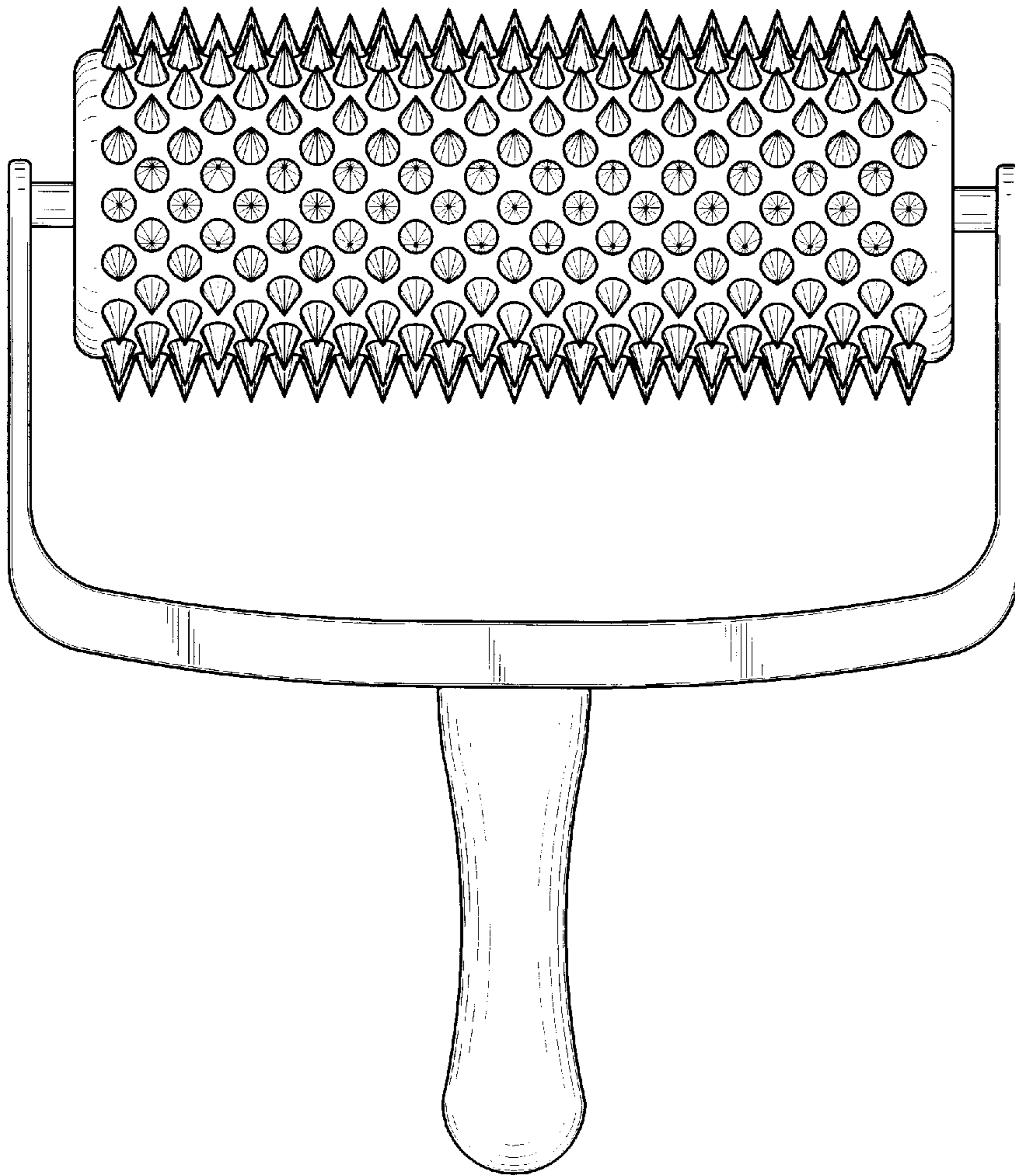


FIG. 2

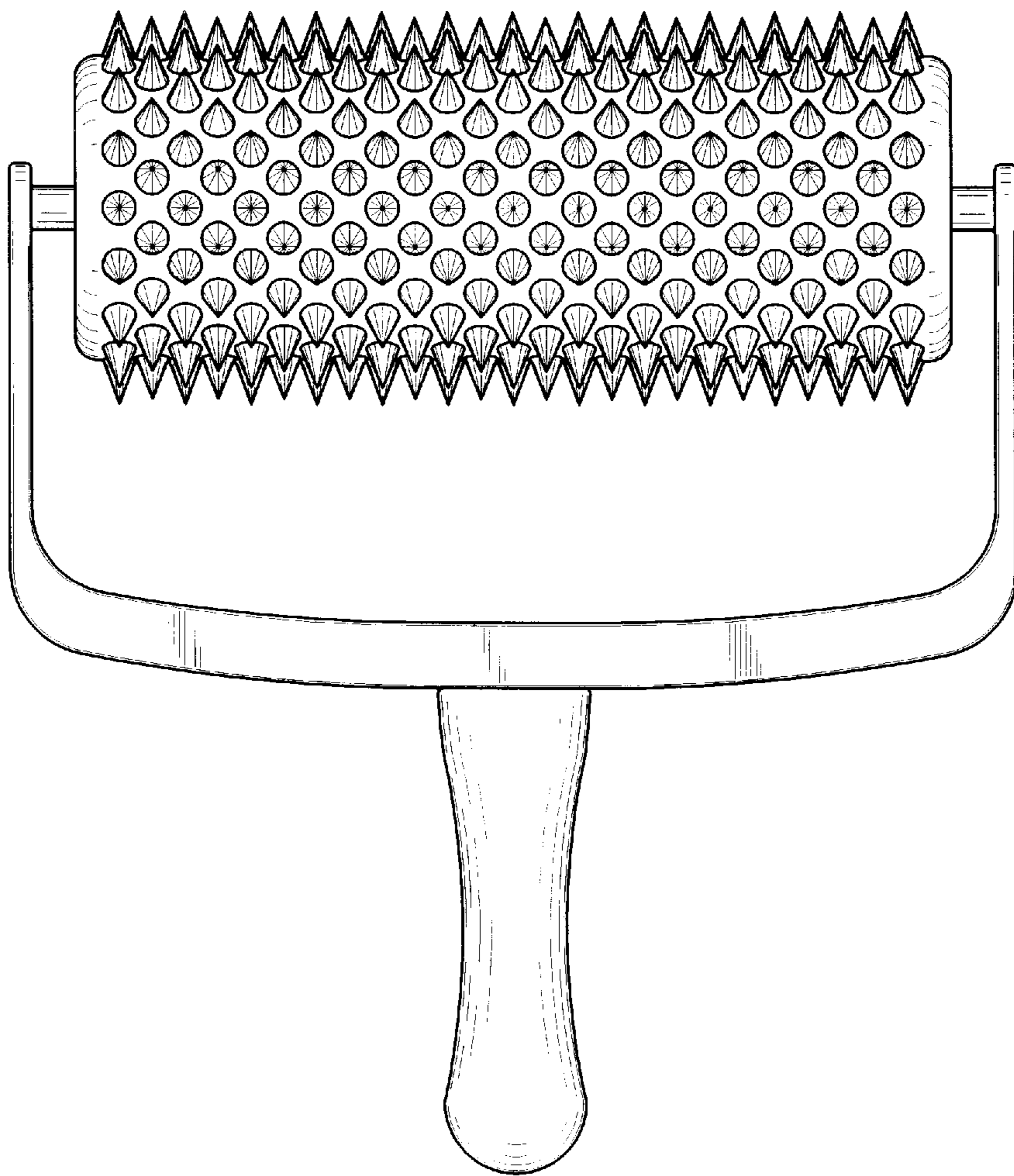


FIG. 3

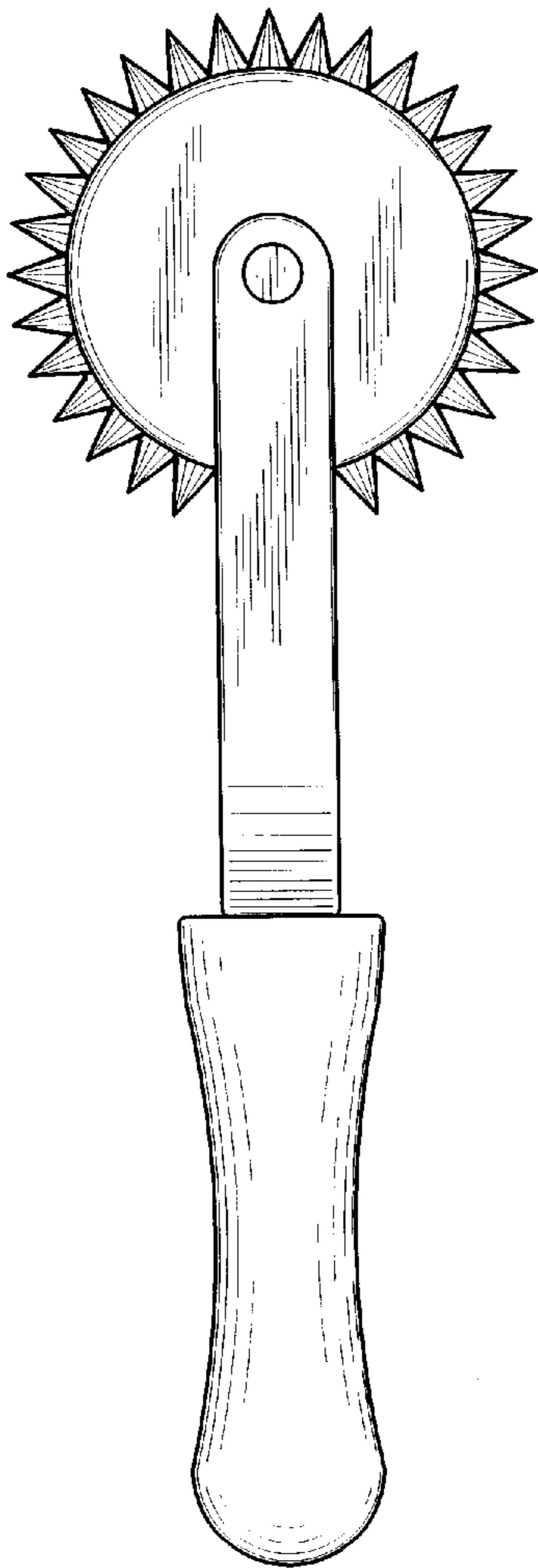


FIG. 4

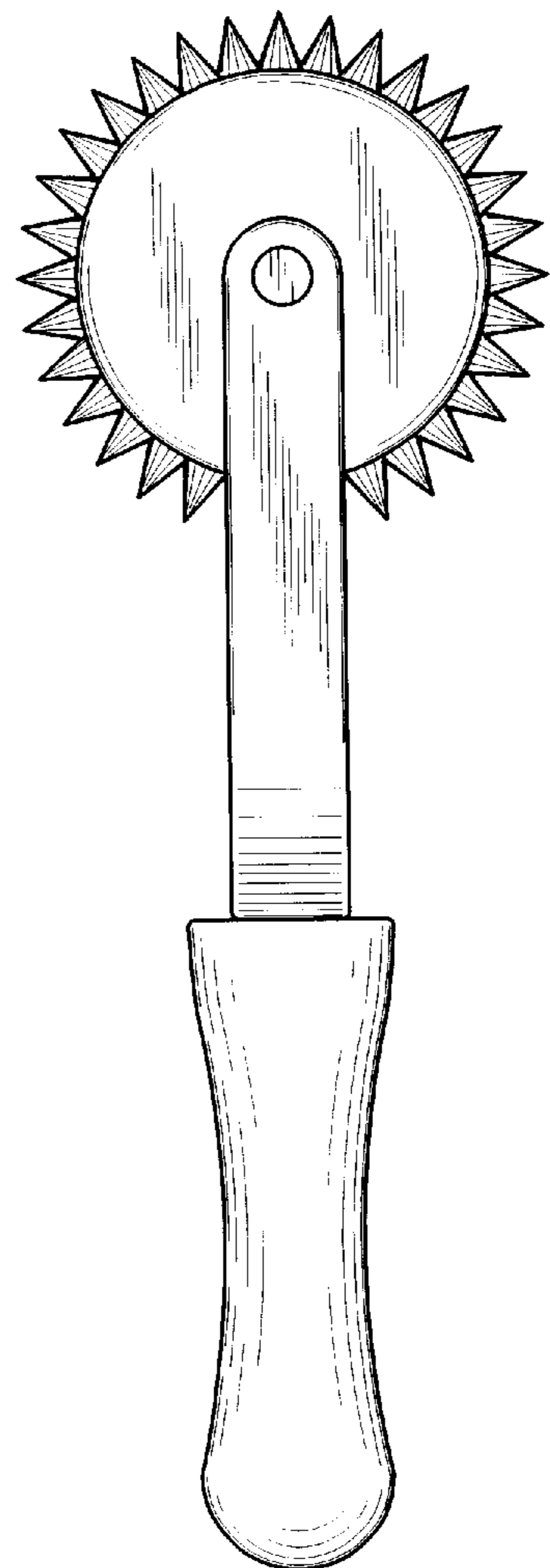


FIG. 5

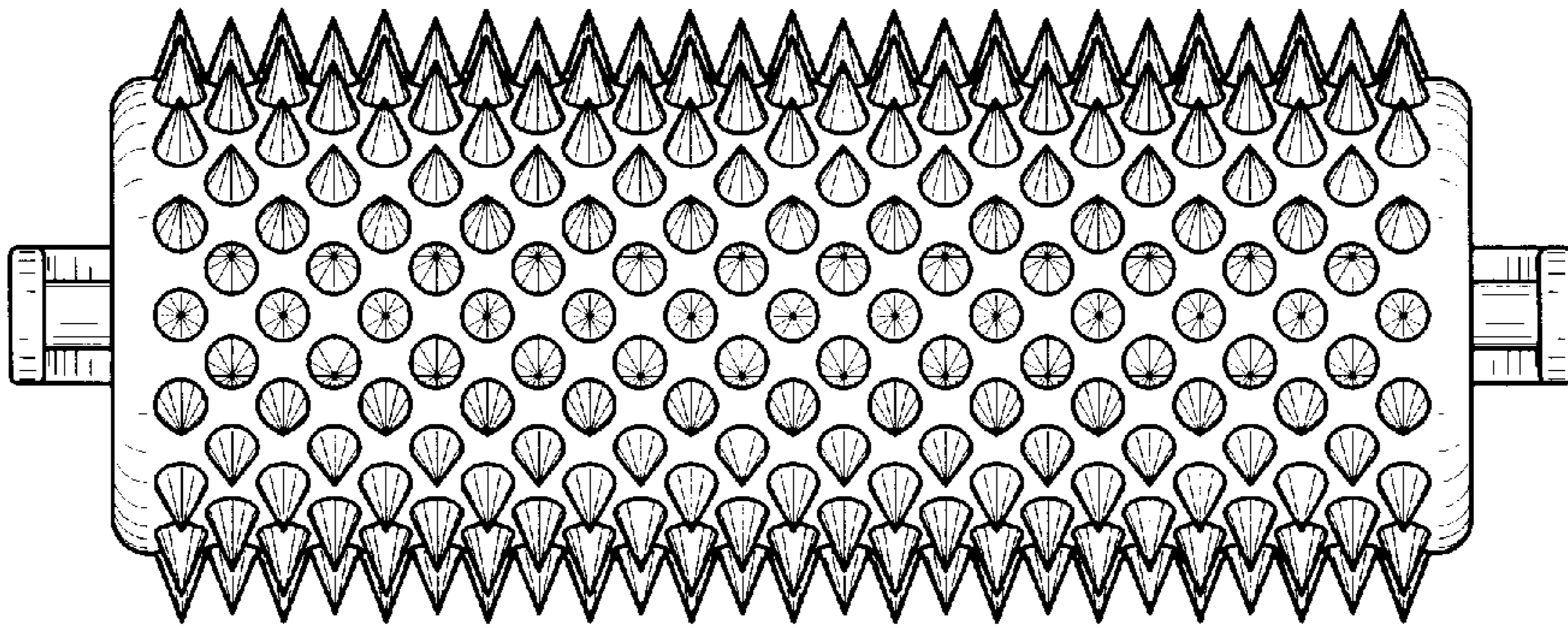


FIG. 6

