



US00D401813S

United States Patent [19]

Johnson et al.

[11] Patent Number: **Des. 401,813**

[45] Date of Patent: ****Dec. 1, 1998**

[54] **PIZZA SLICER**

[76] Inventors: **Dorothy Johnson**, 178 Stratton La.,
Mount Laurel, N.J. 08054; **D. Eugene Leake**, 37A Village of Stoney Run,
Maple Shade, N.J. 08052

[**] Term: **14 Years**

[21] Appl. No.: **75,694**

[22] Filed: **Aug. 25, 1997**

[51] **LOC (6) Cl.** **07-04**

[52] **U.S. Cl.** **D7/673**

[58] **Field of Search** D7/672-674, 677,
D7/693; 30/314-316, 299, 301-303

[56] **References Cited**

U.S. PATENT DOCUMENTS

- D. 131,301 2/1942 Jacobsen D7/673
- D. 168,291 12/1952 Diamond D7/613
- D. 246,411 11/1977 Blanchard D7/673

- 1,581,310 4/1926 Fetschan 30/303
- 2,206,316 7/1940 Bartholomew 30/302
- 2,403,190 7/1946 Parraga 30/303
- 2,424,015 7/1947 Booker 30/302
- 5,022,843 6/1991 Secondiak 30/316
- 5,446,965 9/1995 Makridis 30/303

Primary Examiner—Terry A. Wallace

[57] **CLAIM**

The ornamental design for a pizza slicer, as shown and described.

DESCRIPTION

FIG. 1 is a front elevational view of the pizza slicer showing my new design;
 FIG. 2 is a rear elevational view thereof;
 FIG. 3 is a right side view thereof;
 FIG. 4 is a left side view thereof;
 FIG. 5 is a top plan view thereof;
 FIG. 6 is a bottom plan view thereof; and,
 FIG. 7 is a perspective view thereof.

1 Claim, 3 Drawing Sheets

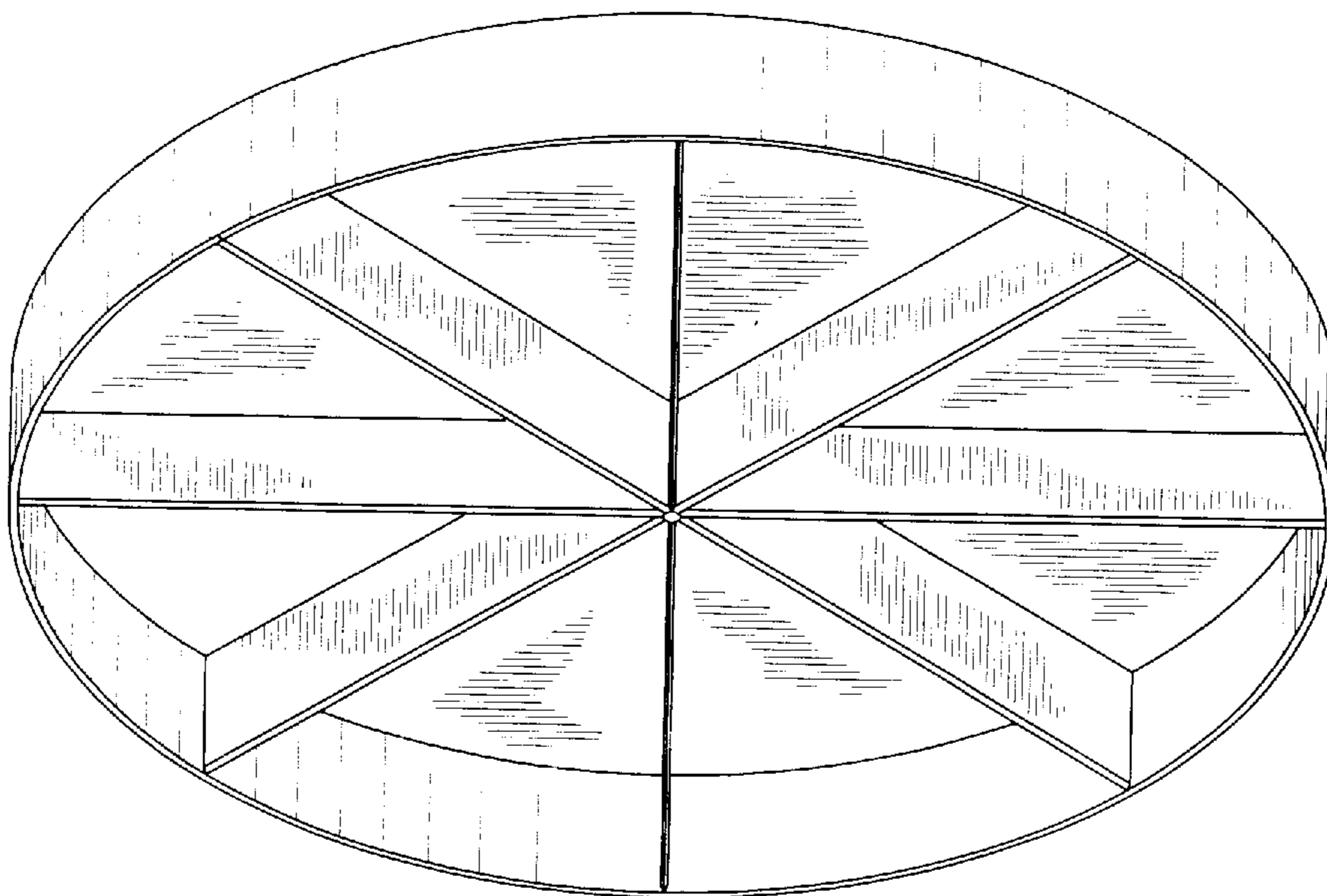
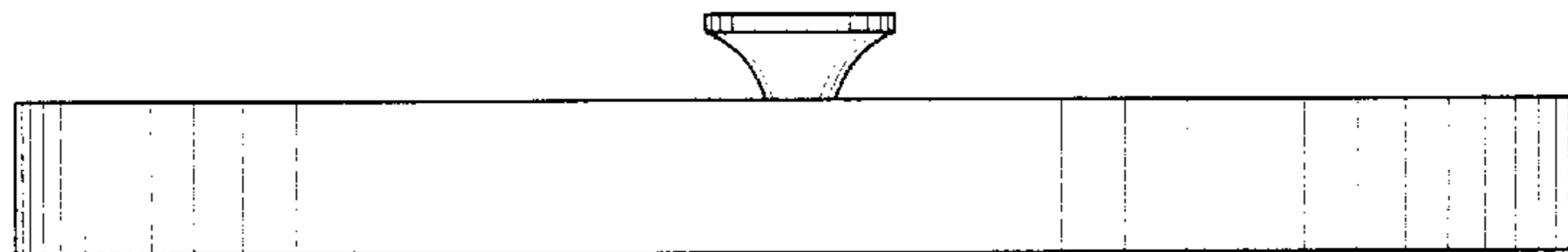


FIG. 1

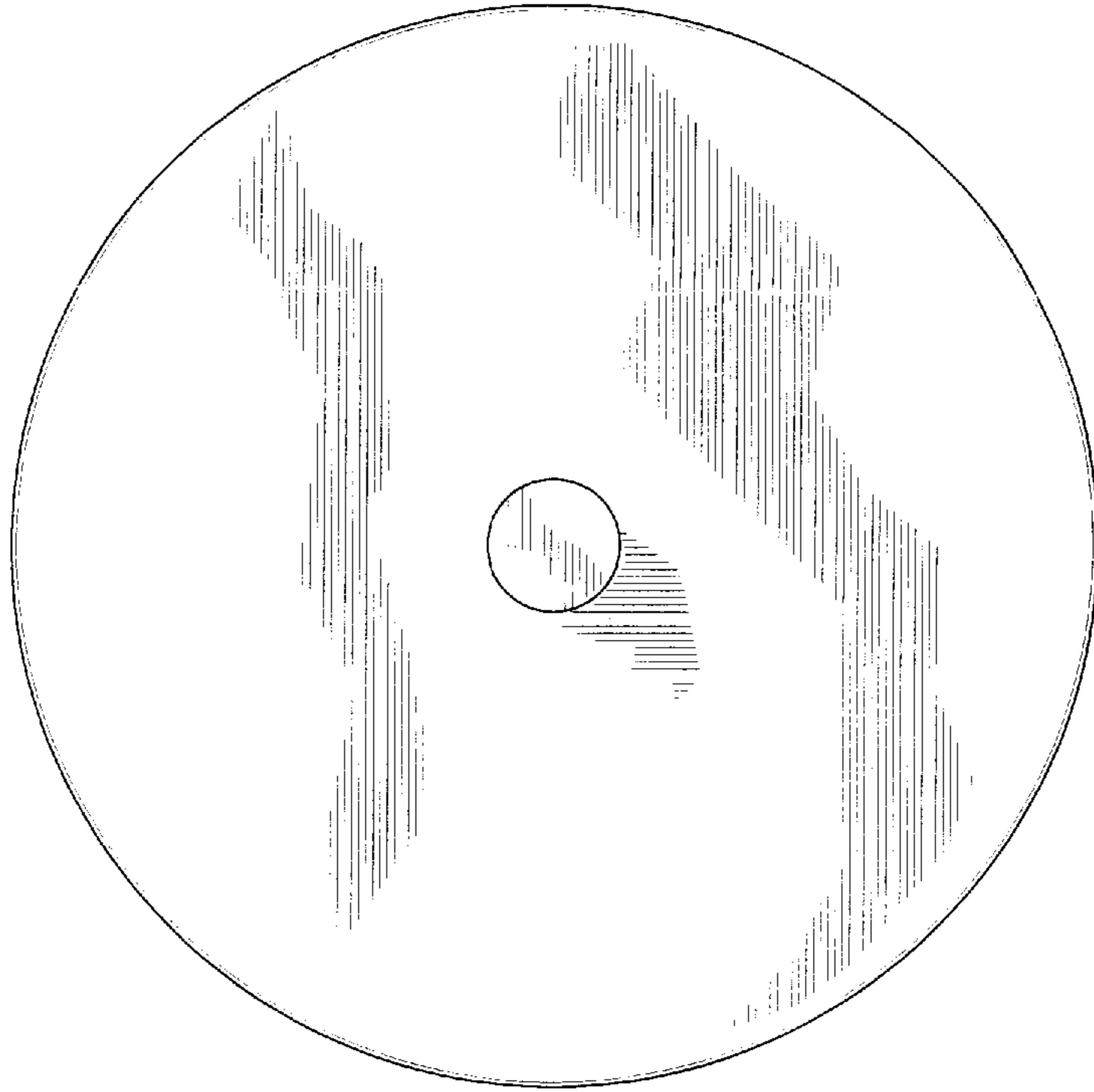


FIG. 2

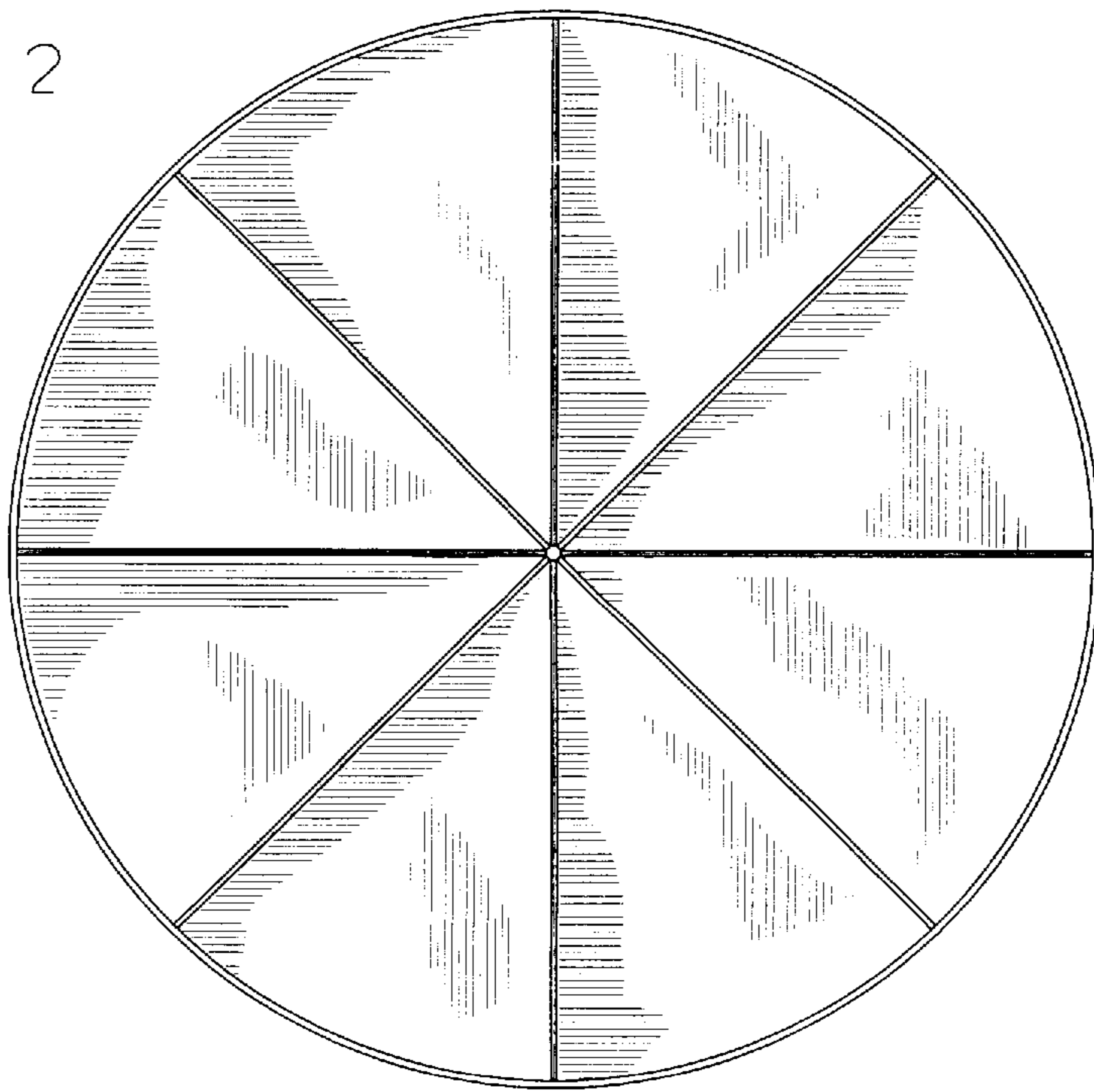


FIG. 3

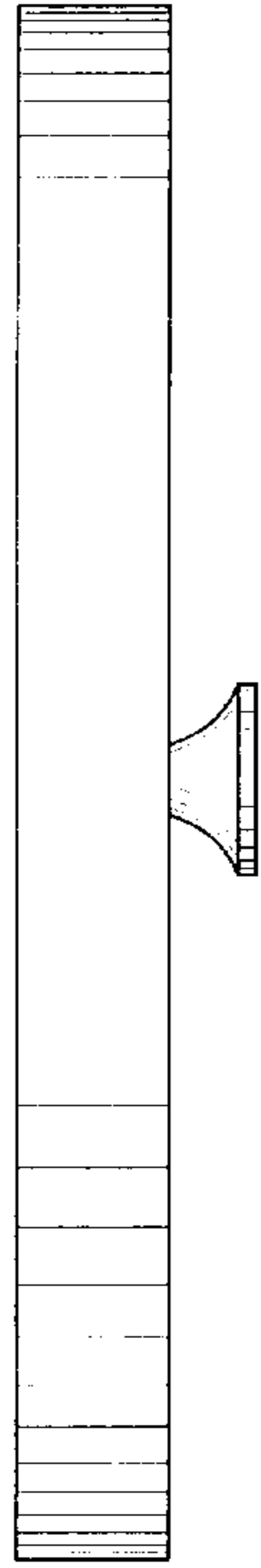


FIG. 4

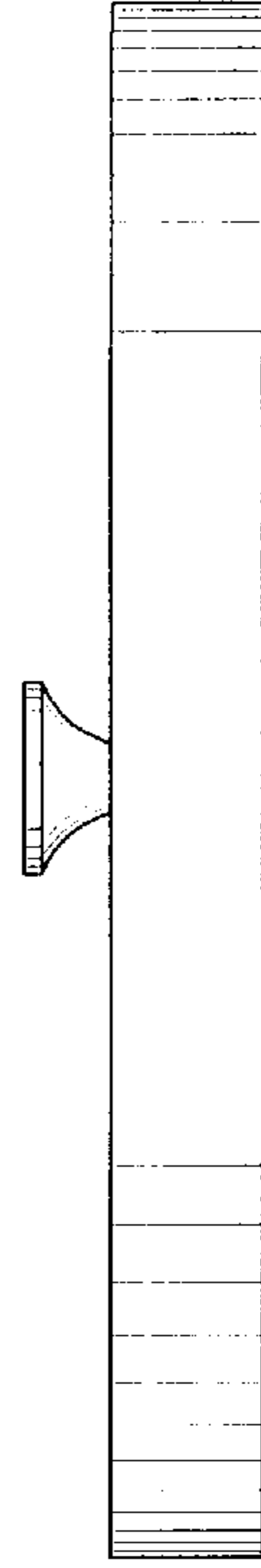


FIG. 5

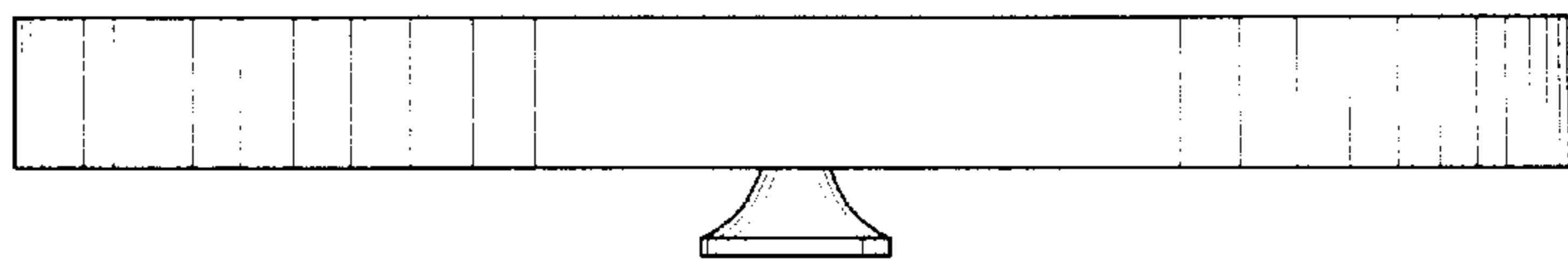


FIG. 6

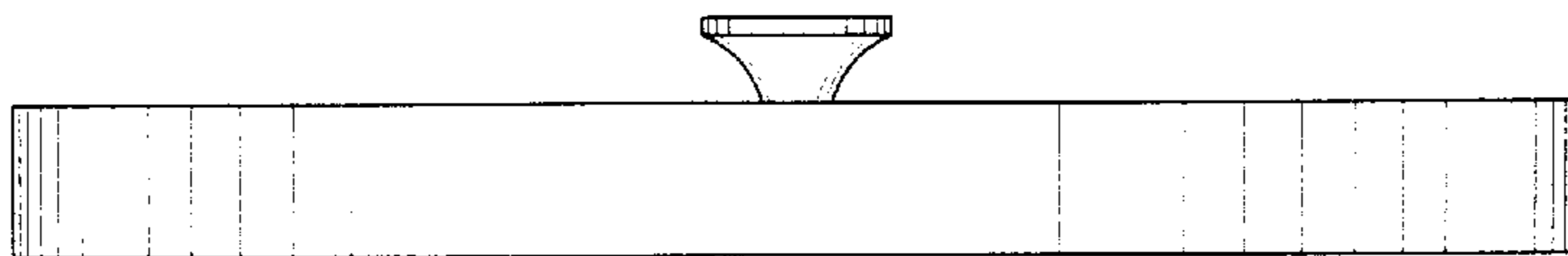


FIG. 7

