



US00D401806S

United States Patent [19] Benz

[11] **Patent Number: Des. 401,806**

[45] **Date of Patent: **Dec. 1, 1998**

[54] **CHAFING DISH**

D. 365,724 1/1996 Yu D7/366 X
D. 369,506 5/1996 Tinius D7/355
D. 369,507 5/1996 Tinius D7/355

[75] Inventor: **Christian Benz**, Winterthur,
Switzerland

[73] Assignee: **Spring AG Metallwarenfabrik
Eschlikon**, Eschlikon, Switzerland

Primary Examiner—Caron D. Veynar
Attorney, Agent, or Firm—Lawrence E. Apolzon, Esq.;
Fross Zelnick Lehrman and Zissu, P.C.

[**] Term: **14 Years**

[57] CLAIM

[21] Appl. No.: **79,467**

The ornamental design for a chafing dish, as shown and described.

[22] Filed: **Nov. 11, 1997**

[30] Foreign Application Priority Data

DESCRIPTION

May 12, 1997 [CH] Switzerland 124165

FIG. 1 is a front view;

[51] **LOC (6) Cl.** **07-02**

FIG. 2 is a back view;

[52] **U.S. Cl.** **D7/355**

FIG. 3 is a side view, the opposite view being a mirror image thereof;

[58] **Field of Search** D7/354, 355, 360,
D7/365, 366, 538; 126/9 R, 373; 99/324,
325, 339, 345, 425, 426, 445; 220/912

FIG. 4 is a top plan view; and,

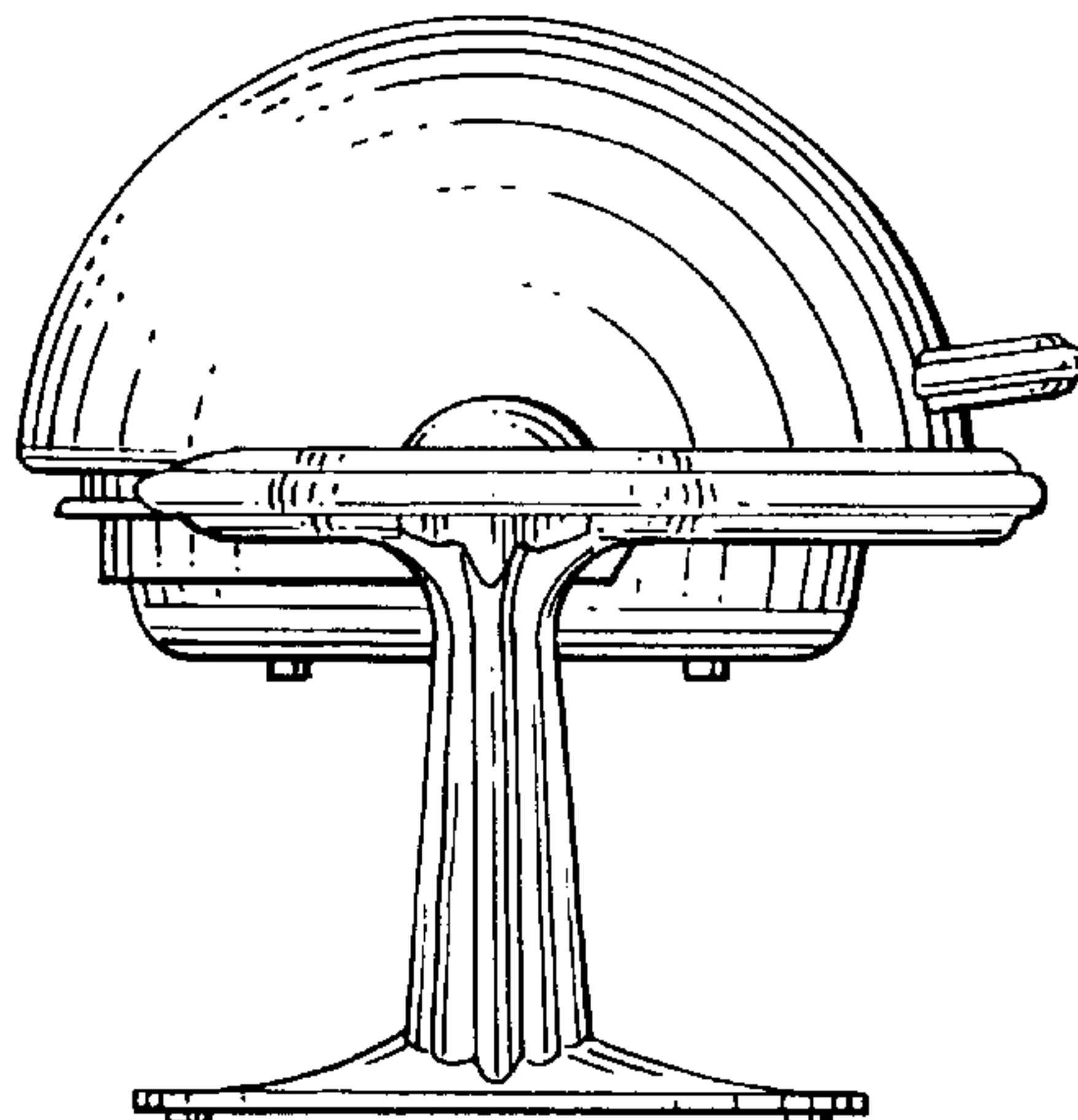
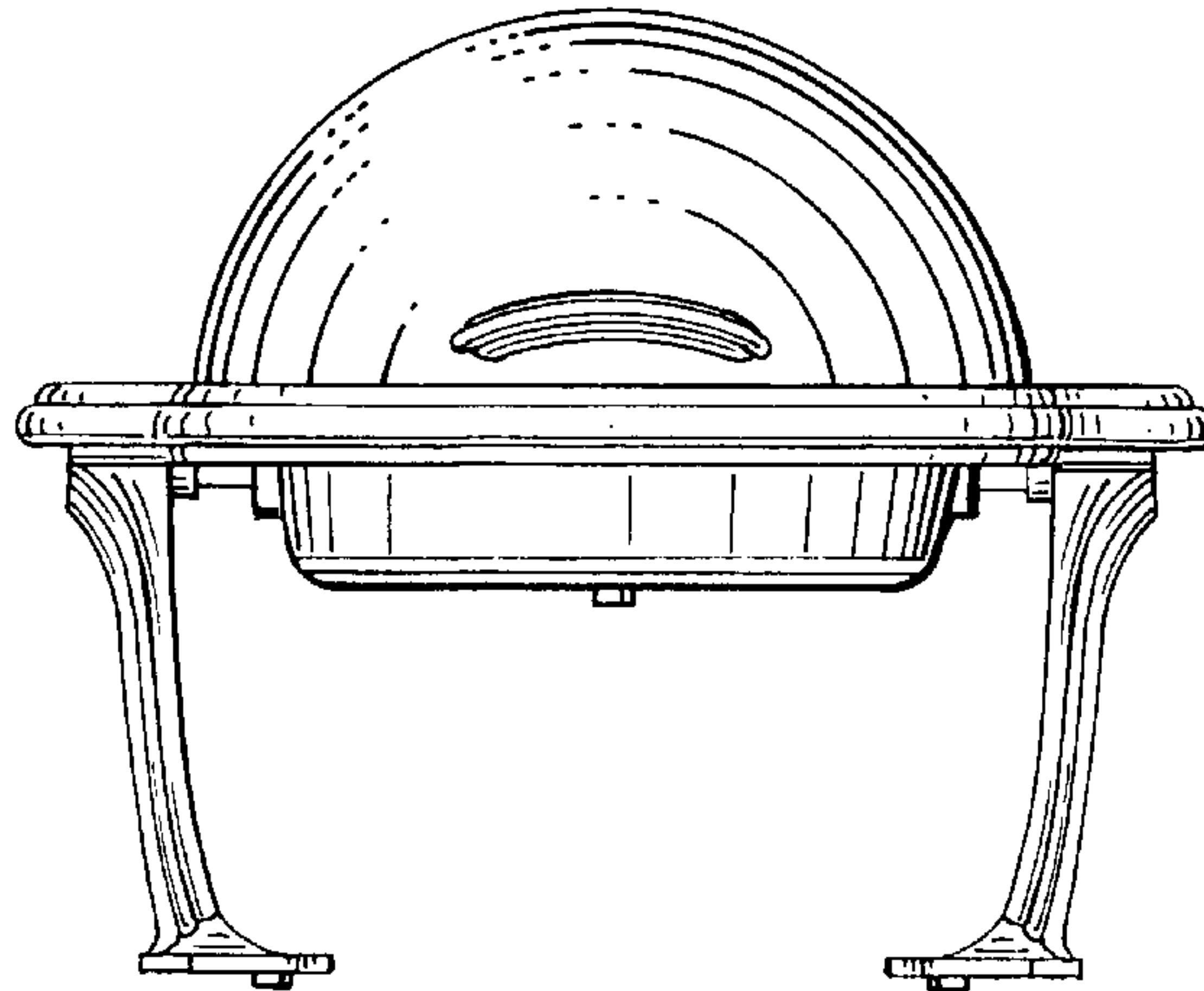
FIG. 5 is a bottom view.

[56] References Cited

U.S. PATENT DOCUMENTS

D. 168,905 2/1953 O'Connell D7/355

1 Claim, 2 Drawing Sheets



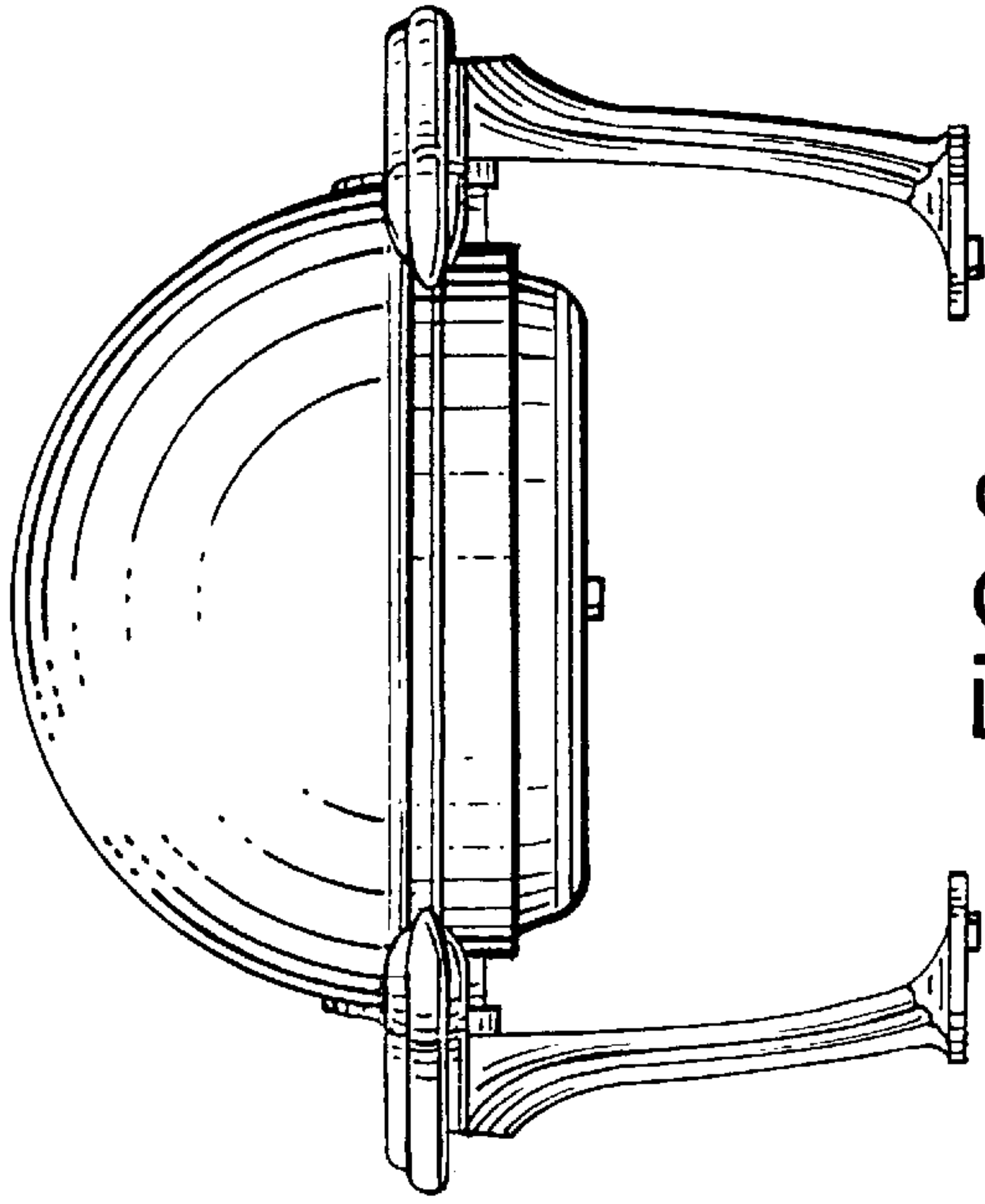


FIG. 2

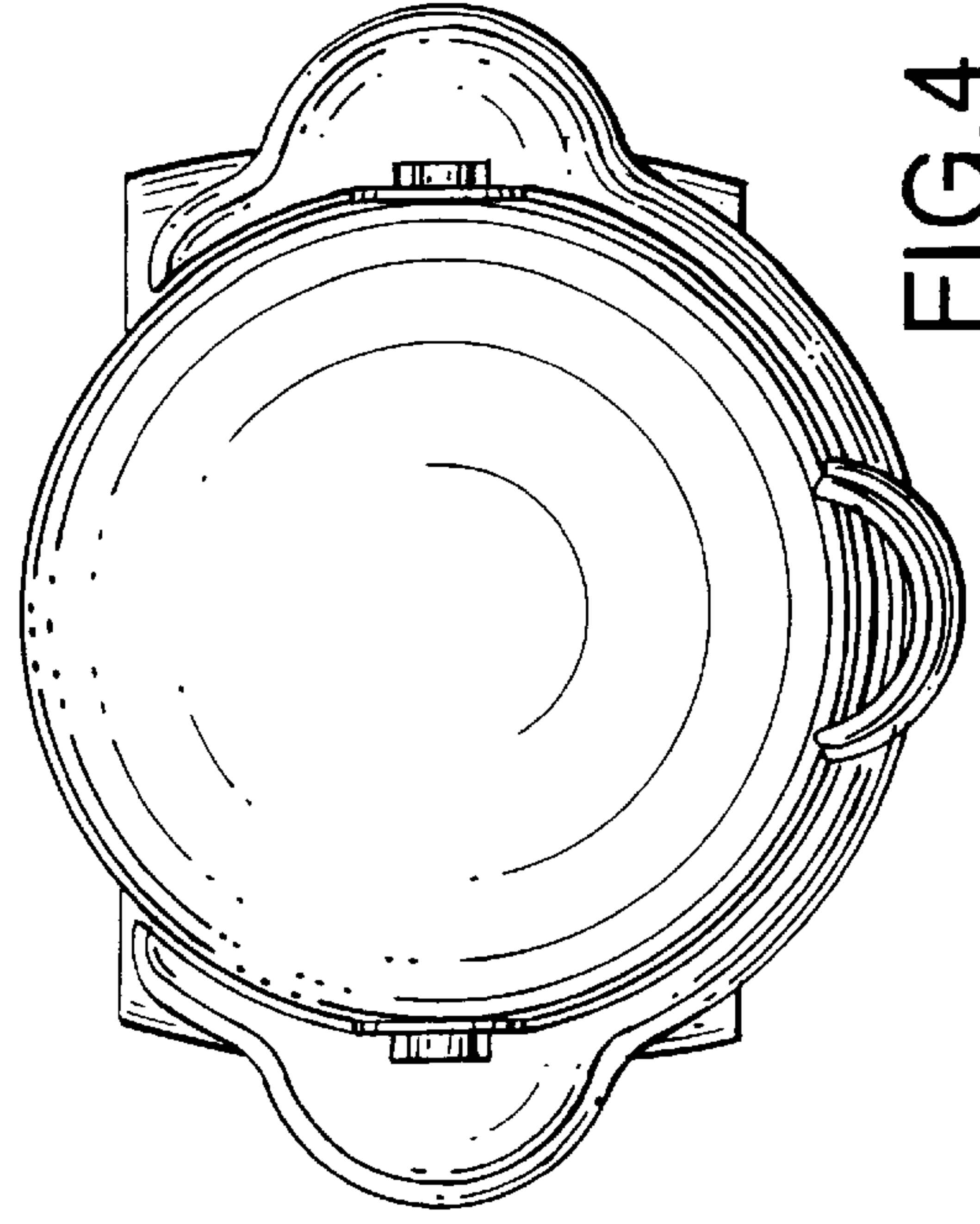


FIG. 4

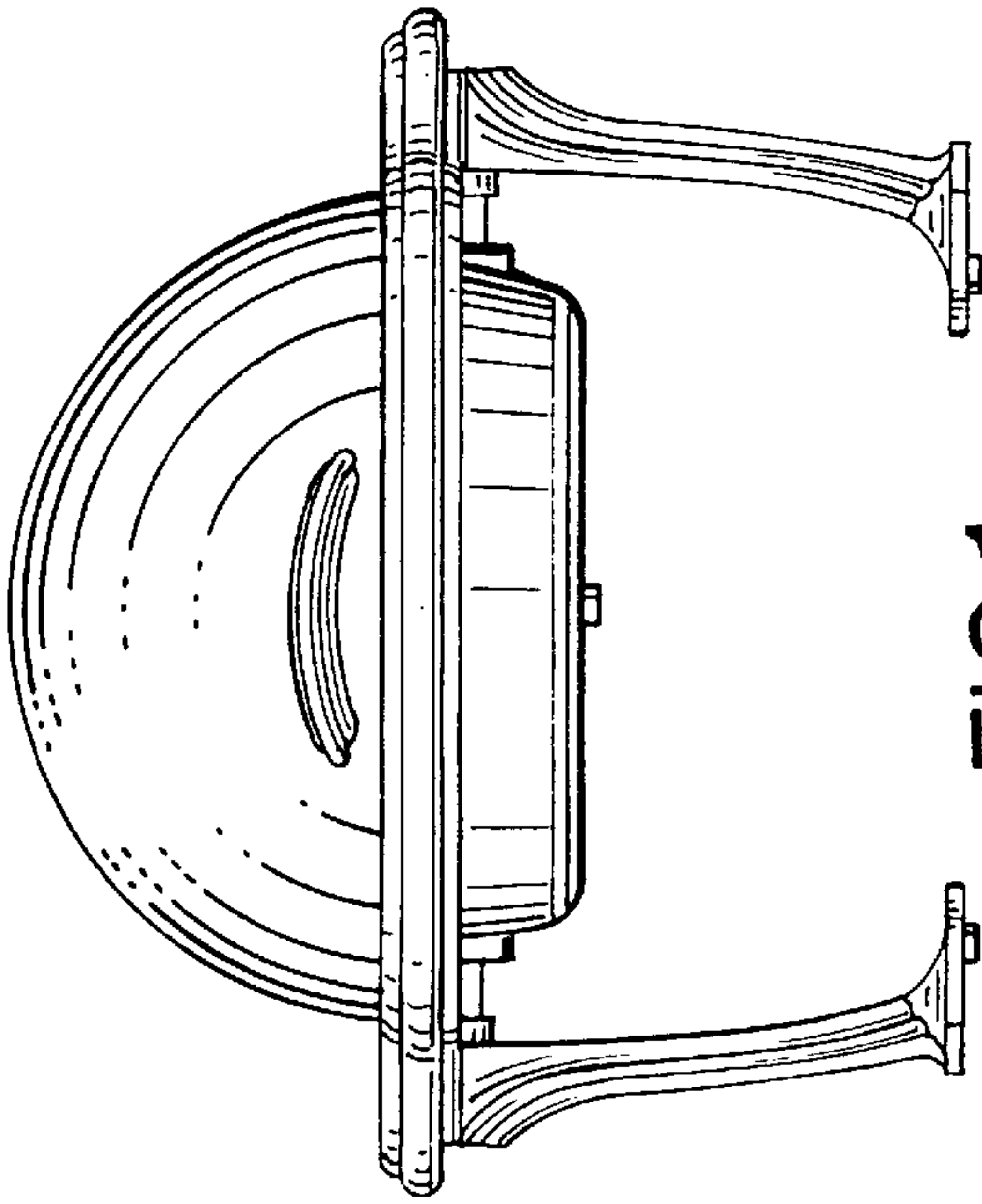


FIG. 1

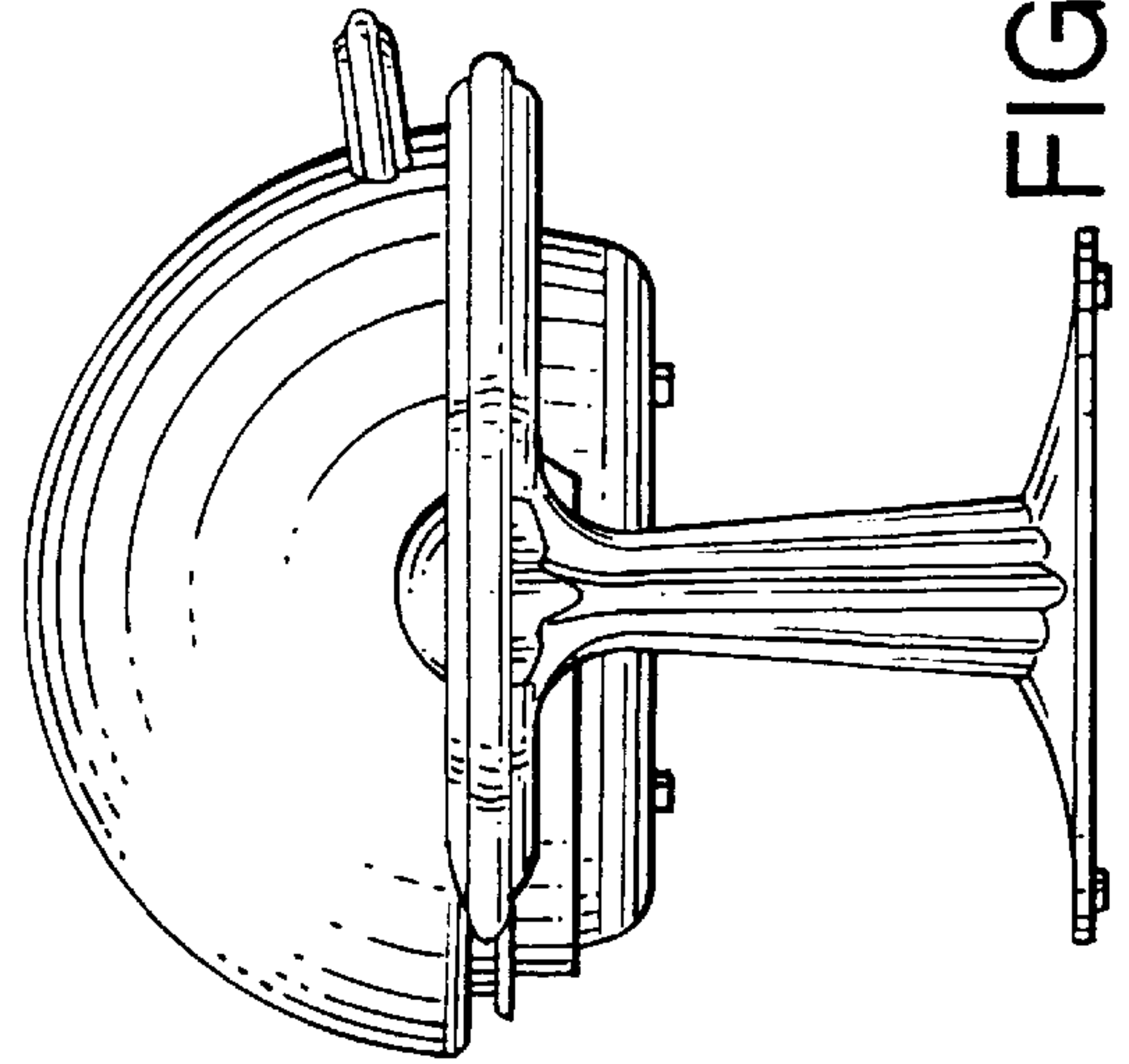


FIG. 3

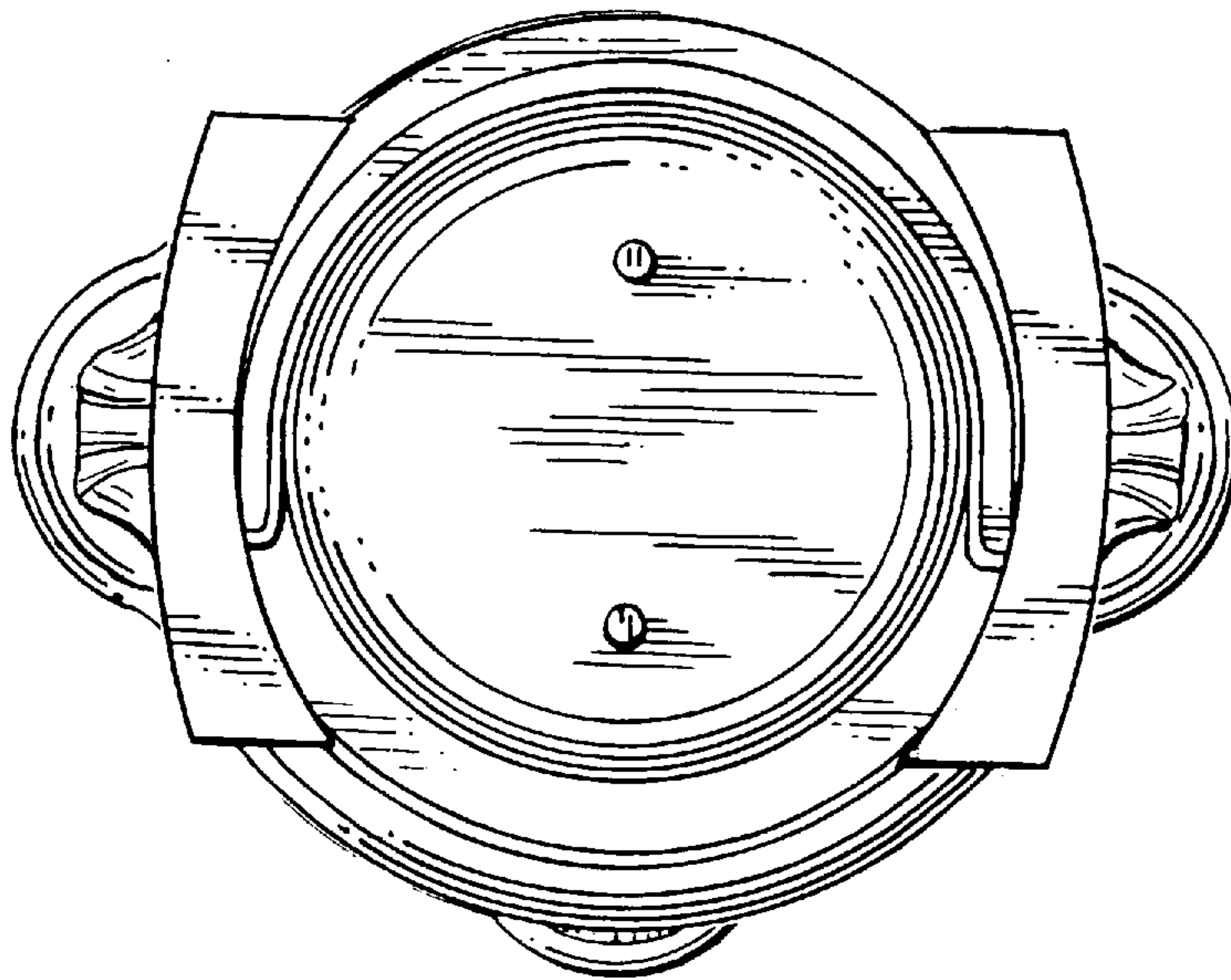


FIG.5