



US00D401797S

United States Patent [19]
Zelman

[11] **Patent Number: Des. 401,797**
[45] **Date of Patent: **Dec. 1, 1998**

[54] **BATHROOM FIXTURE**

[75] Inventor: **David Zelman**, New York, N.Y.
[73] Assignee: **Prologue 2000, Inc.**, New York, N.Y.
[**] Term: **14 Years**

[21] Appl. No.: **70,119**
[22] Filed: **Apr. 30, 1997**

[51] **LOC (6) Cl.** **07-07**
[52] **U.S. Cl.** **D6/524**
[58] **Field of Search** D6/512, 524, 527,
D6/528, 531, 534, 536, 540, 546, 550;
248/200, 235, 257, 309.1

[56] **References Cited**

U.S. PATENT DOCUMENTS

D. 162,337	3/1951	O’Gatty	D6/550
D. 253,380	11/1979	Pittenger	D6/524 X
D. 318,590	7/1991	McKeone	D6/524
D. 328,215	7/1992	McKeone	D6/524
D. 338,793	8/1993	Primeau	D6/524

Primary Examiner—Brian N. Vinson
Attorney, Agent, or Firm—Merchant, Gould, Smith, Edell,
Welter & Schmidt, P.A.

[57] **CLAIM**

The ornamental design for a bathroom fixture, as shown and described.

DESCRIPTION

FIG. 1 is a top, rear, and right side perspective view of a first embodiment of a bathroom fixture showing my new design;

FIG. 2 is a top plan view thereof, the bottom being a mirror image of that shown;

FIG. 3 is a front elevational view thereof;

FIG. 4 is a rear elevational view thereof;

FIG. 5 is a left side elevational view thereof;

FIG. 6 is a reduced front perspective view of a second embodiment thereof, the only difference from the first embodiment being the addition of an identical second fixture, with the broken-line disclosure of a shelf being for illustrative purposes only and forming no part of the claimed design;

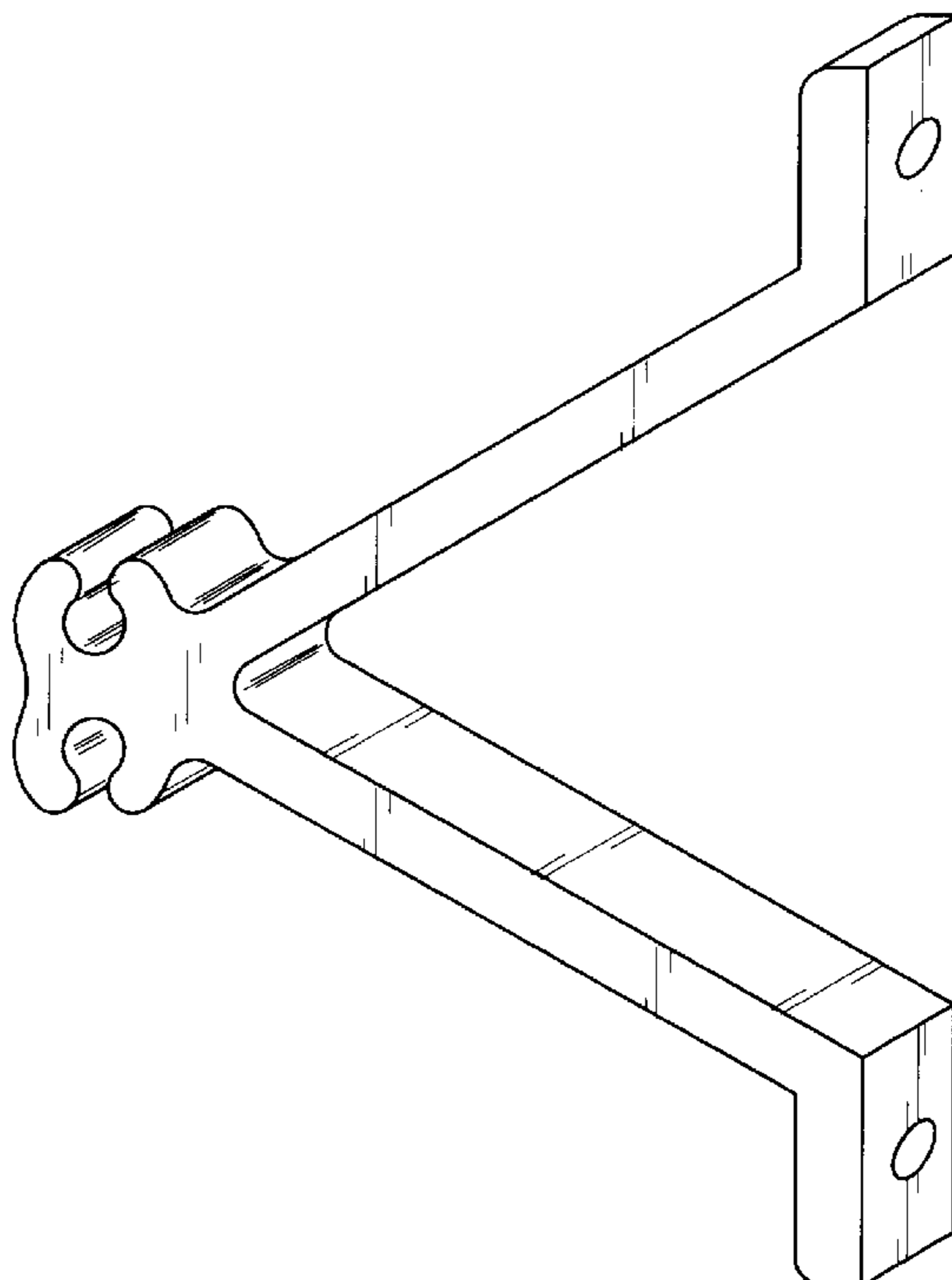
FIG. 7 is a reduced front elevational view of the first embodiment thereof, with the broken-line disclosure of a towel ring being for illustrative purposes only and forming no part of the claimed design;

FIG. 8 is a reduced front perspective view of the second embodiment thereof, with the broken-line disclosure of a combination cup and toothbrush holder being for illustrative purposes only and forming no part of the claimed design;

FIG. 9 is a reduced front perspective view of the second embodiment thereof, with the broken-line disclosure of a toilet roll spindler being for illustrative purposes only and forming no part of the claimed design; and,

FIG. 10 is a reduced front perspective view of the second embodiment thereof, with the broken-line disclosure of a soap dish being for illustrative purposes only and forming no part of the claimed design.

1 Claim, 7 Drawing Sheets



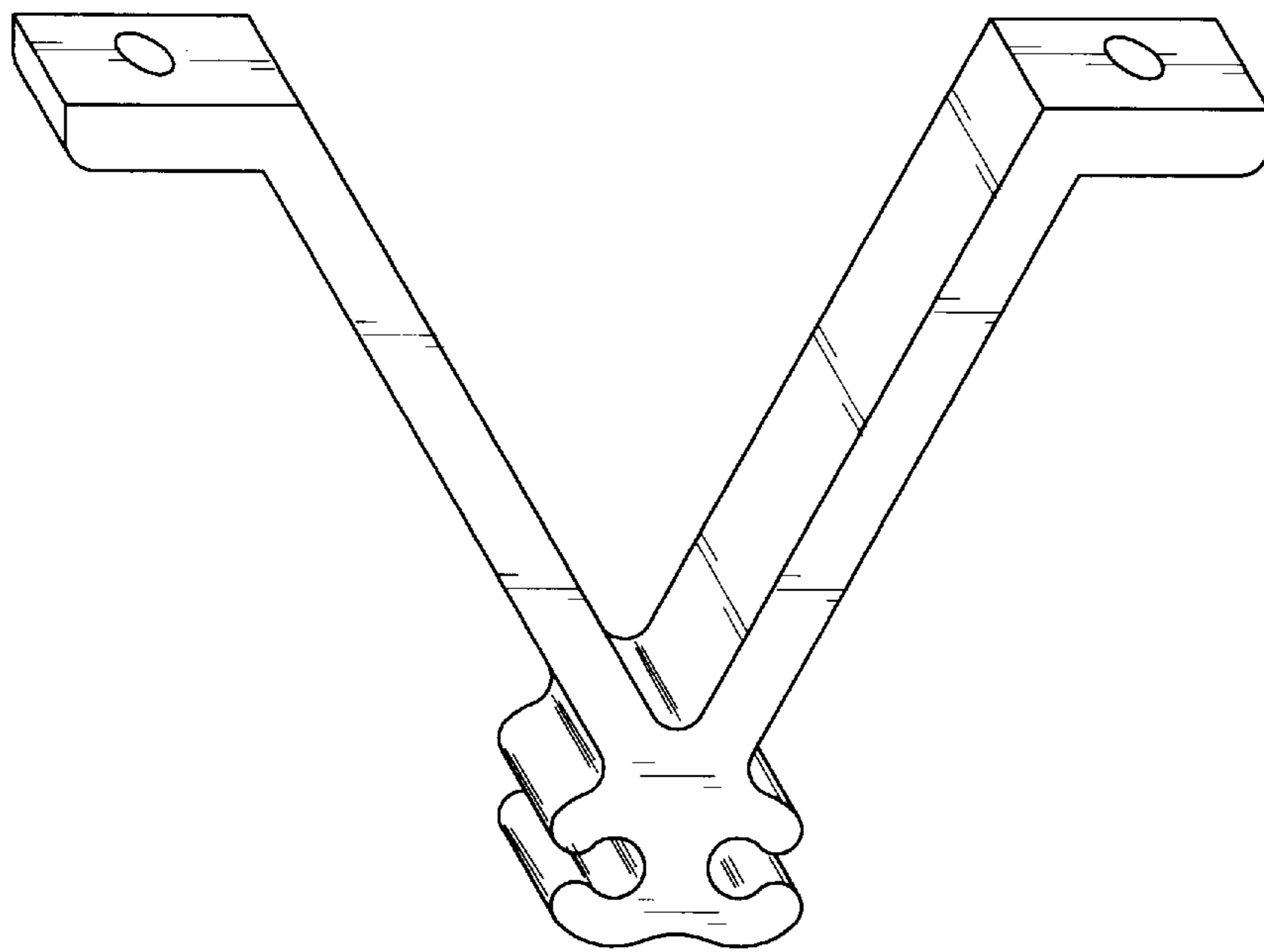


FIG. 1



FIG. 2

FIG. 3

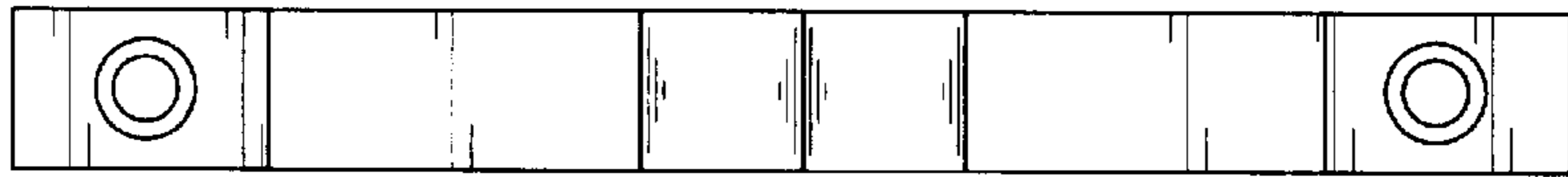


FIG. 4

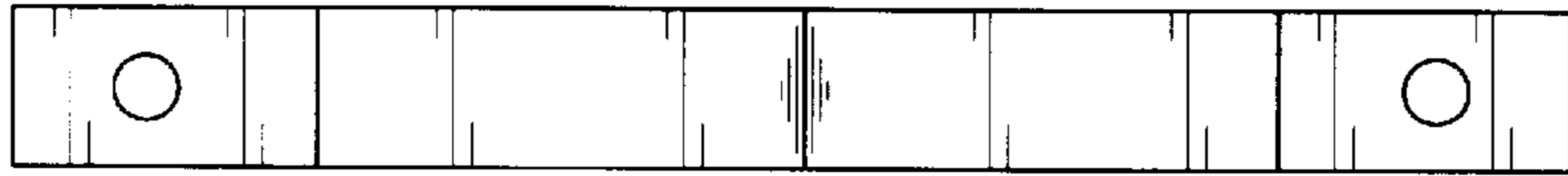
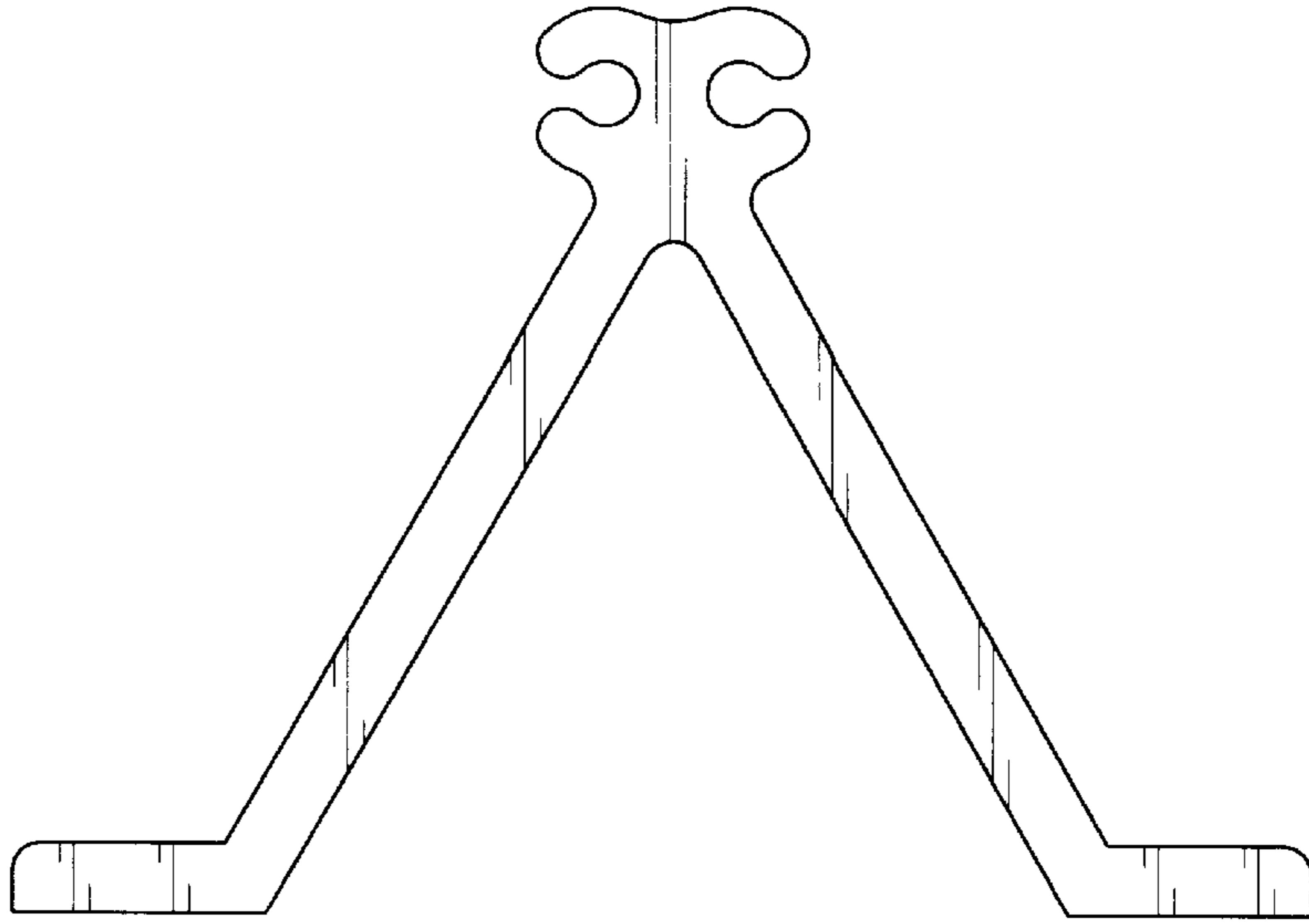


FIG. 5



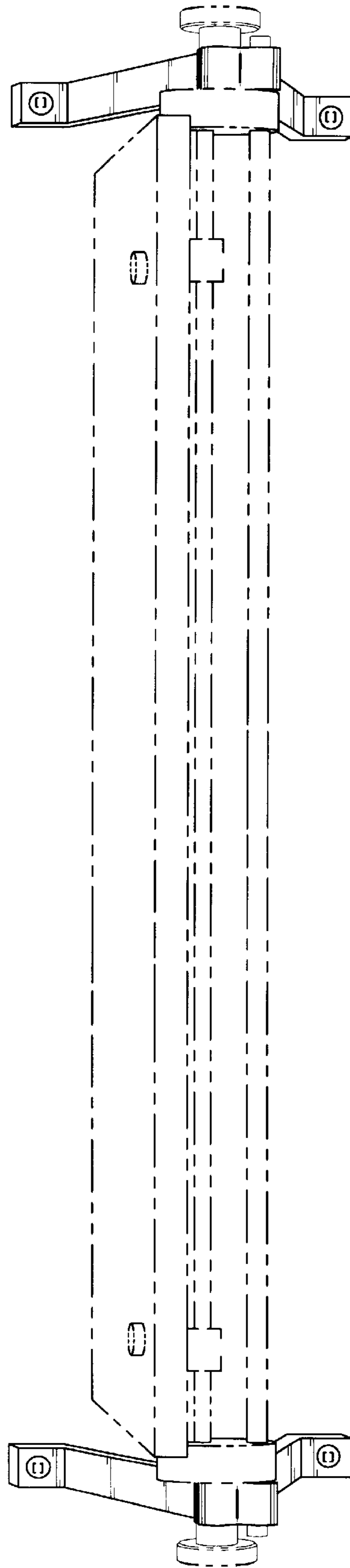
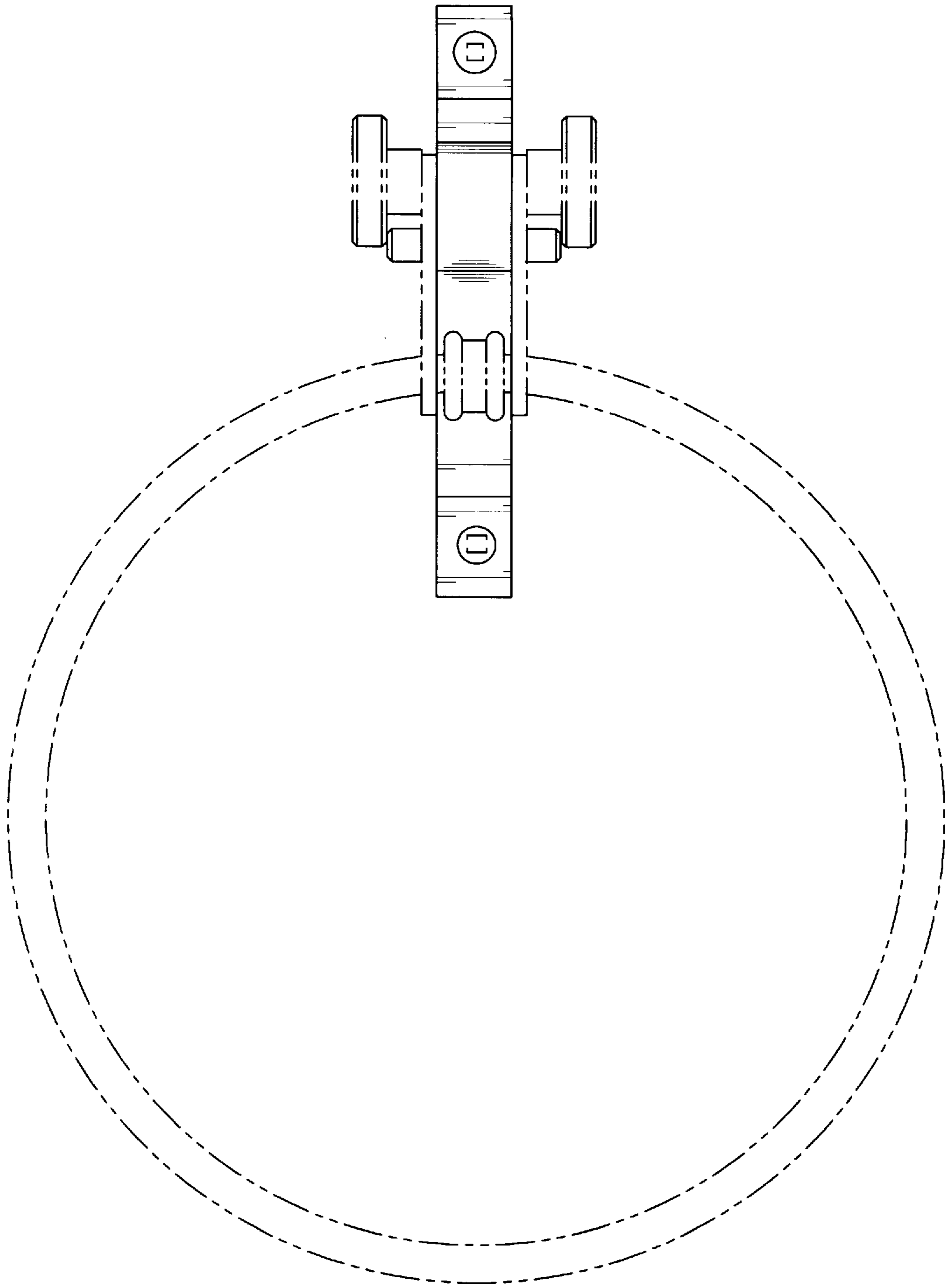


FIG. 6

FIG. 7



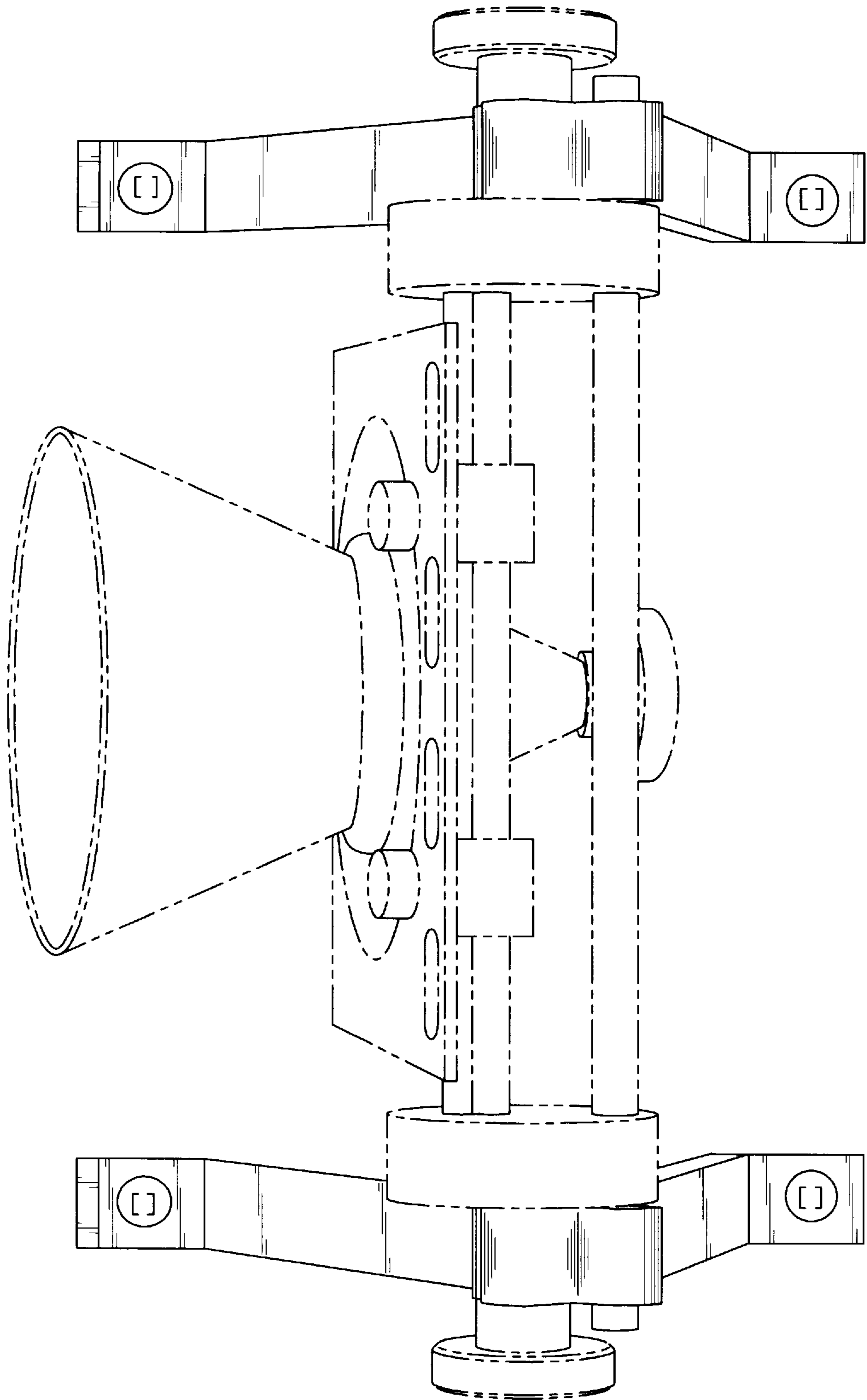


FIG. 8

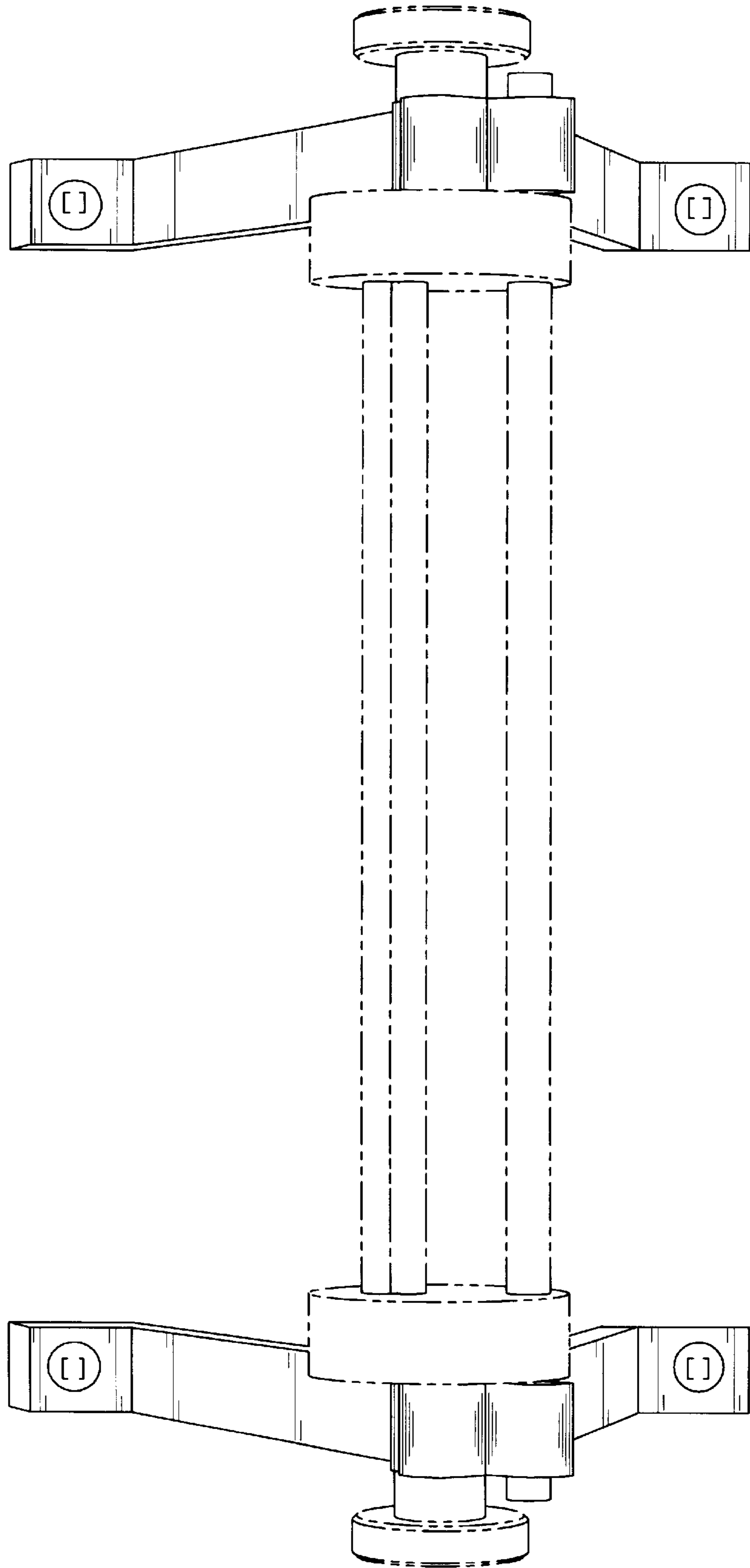


FIG. 9

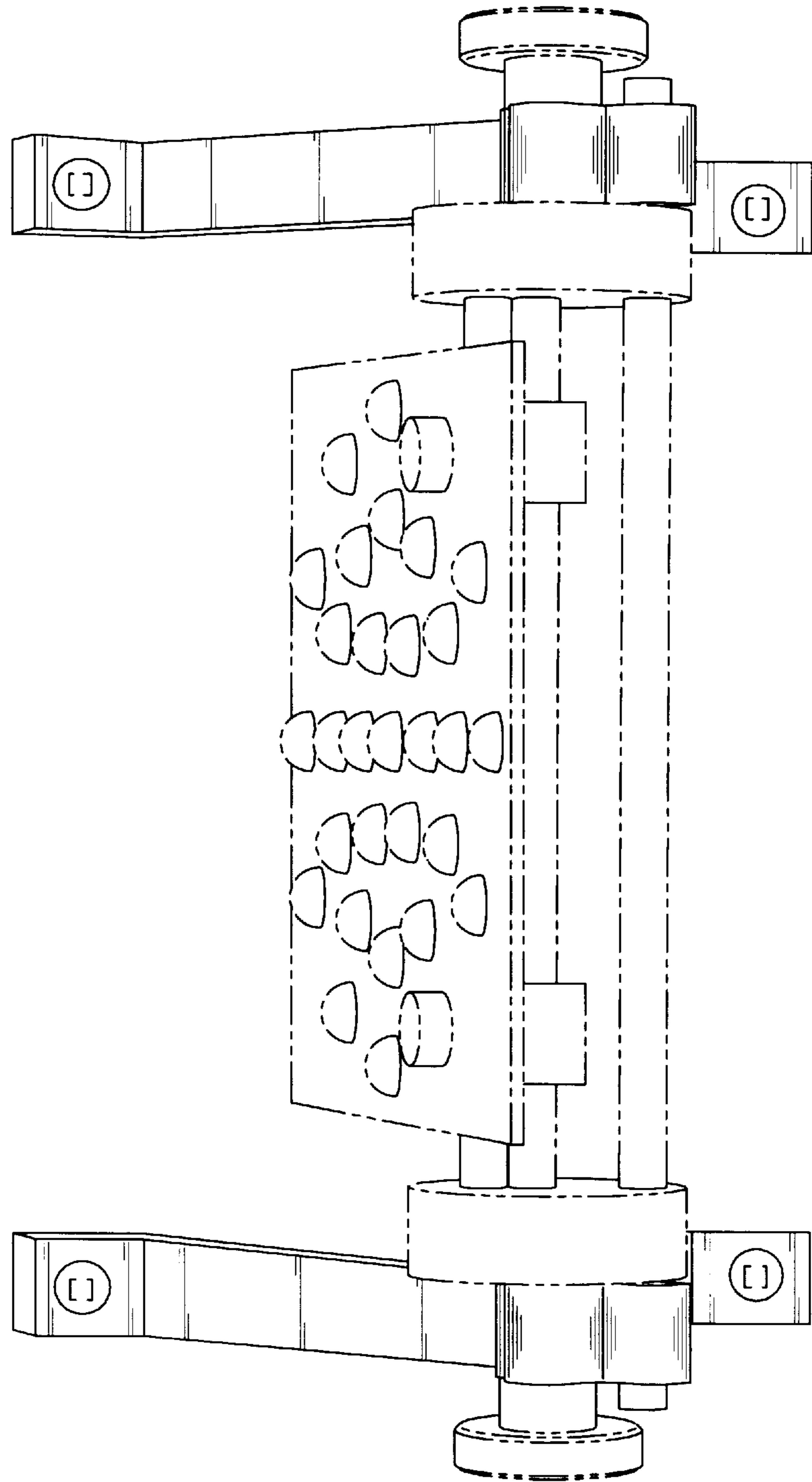


FIG. 10