



US00D401791S

United States Patent [19]
Schwab

[11] **Patent Number: Des. 401,791**
[45] **Date of Patent: **Dec. 1, 1998**

[54] **COFFEE TABLE**

D. 336,575 6/1993 Hasuike D6/486
D. 349,416 8/1994 Shimogori D6/482
D. 392,478 3/1998 Schwab D6/486

[76] Inventor: **Fritz Schwab**, 1250 St-Nicolas,
St-Vincent-de-Paul, Laval, Québec,
Canada, H7E 4X3

OTHER PUBLICATIONS

[**] Term: **14 Years**

AKKO, Feb. 1, 1991, p. 4, #1310 table at center right.

[21] Appl. No.: **83,728**

Primary Examiner—Janice E. Seeger
Attorney, Agent, or Firm—François Martineau

[22] Filed: **Feb. 17, 1998**

Related U.S. Application Data

[57] **CLAIM**

An ornamental design for a coffee table, as shown.

[62] Division of Ser. No. 61,666, Oct. 28, 1996, Pat. No. Des. 392,478.

DESCRIPTION

[51] **LOC (6) Cl.** **06-03**
[52] **U.S. Cl.** **D6/486; D6/480**
[58] **Field of Search** D6/480-489, 495,
D6/477, 461, 479; 108/150, 153, 156, 157,
152, 161, 183, 184

FIG. 1 is a perspective view of the coffee table according to the invention;

FIG. 2 is a top plan view thereof;

FIG. 3 is a front elevational view thereof; and,

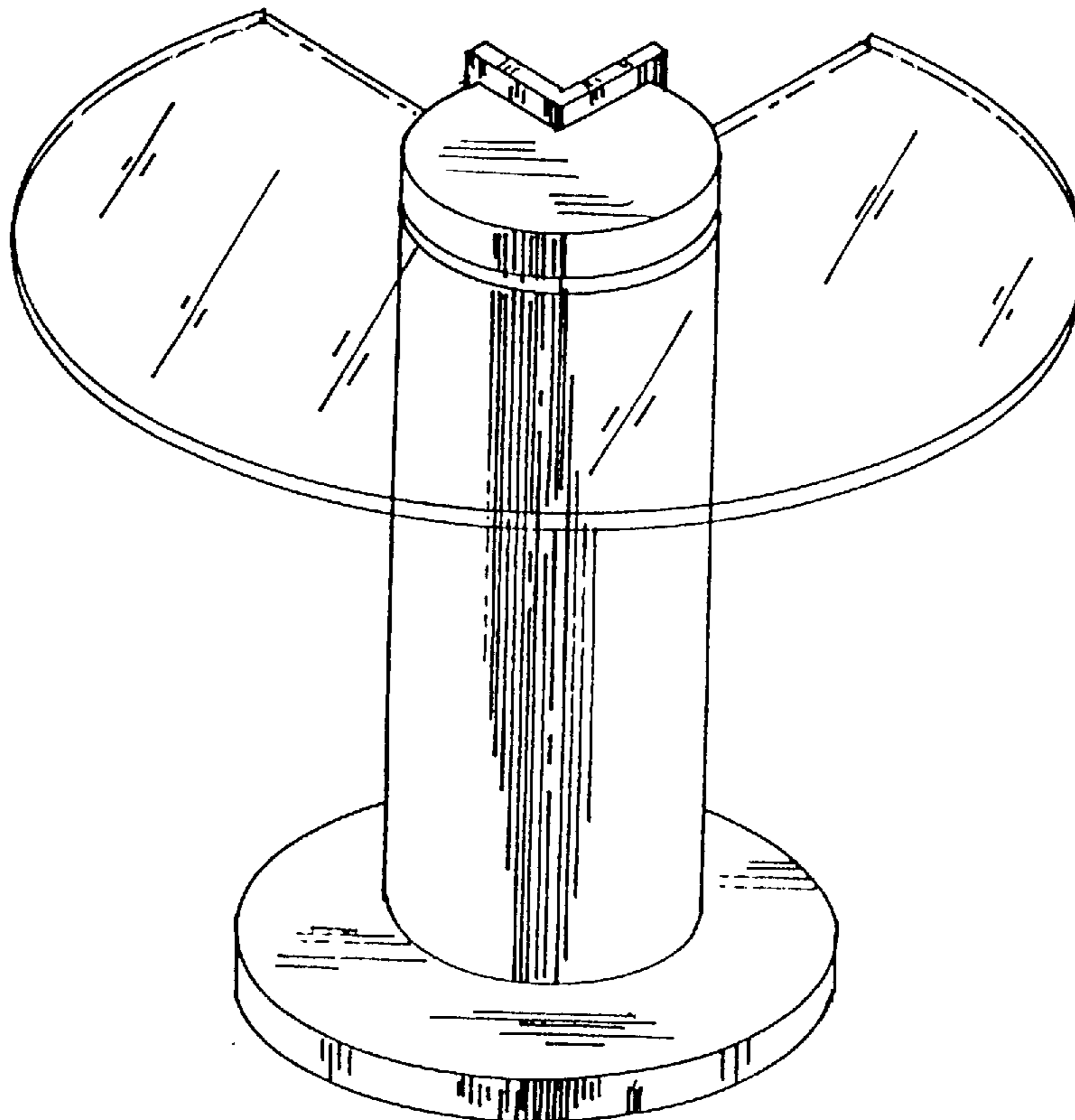
FIG. 4 is a rear elevational view thereof.

[56] **References Cited**

U.S. PATENT DOCUMENTS

D. 287,555 1/1987 Bickle D6/486

1 Claim, 2 Drawing Sheets



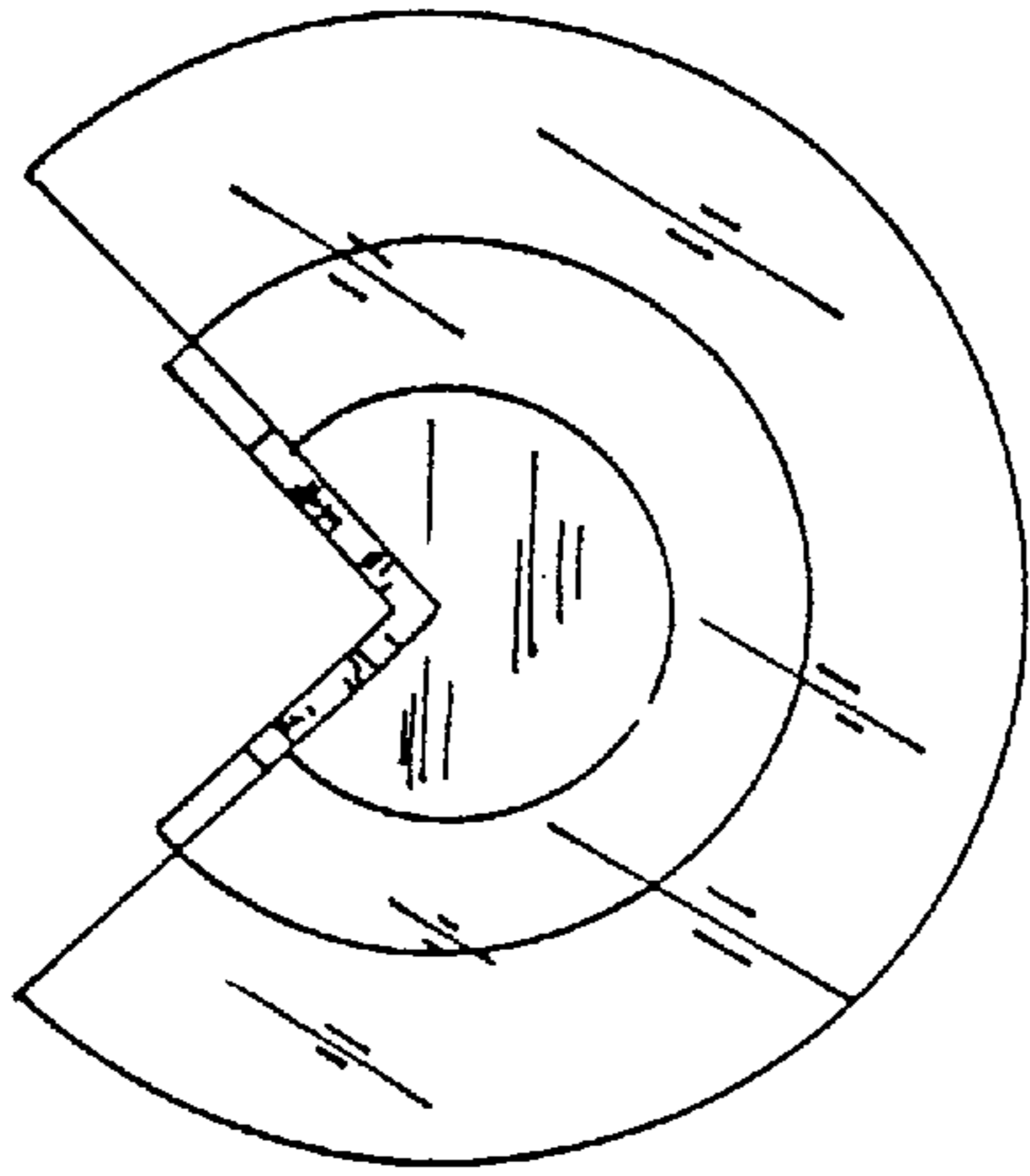


FIG 2

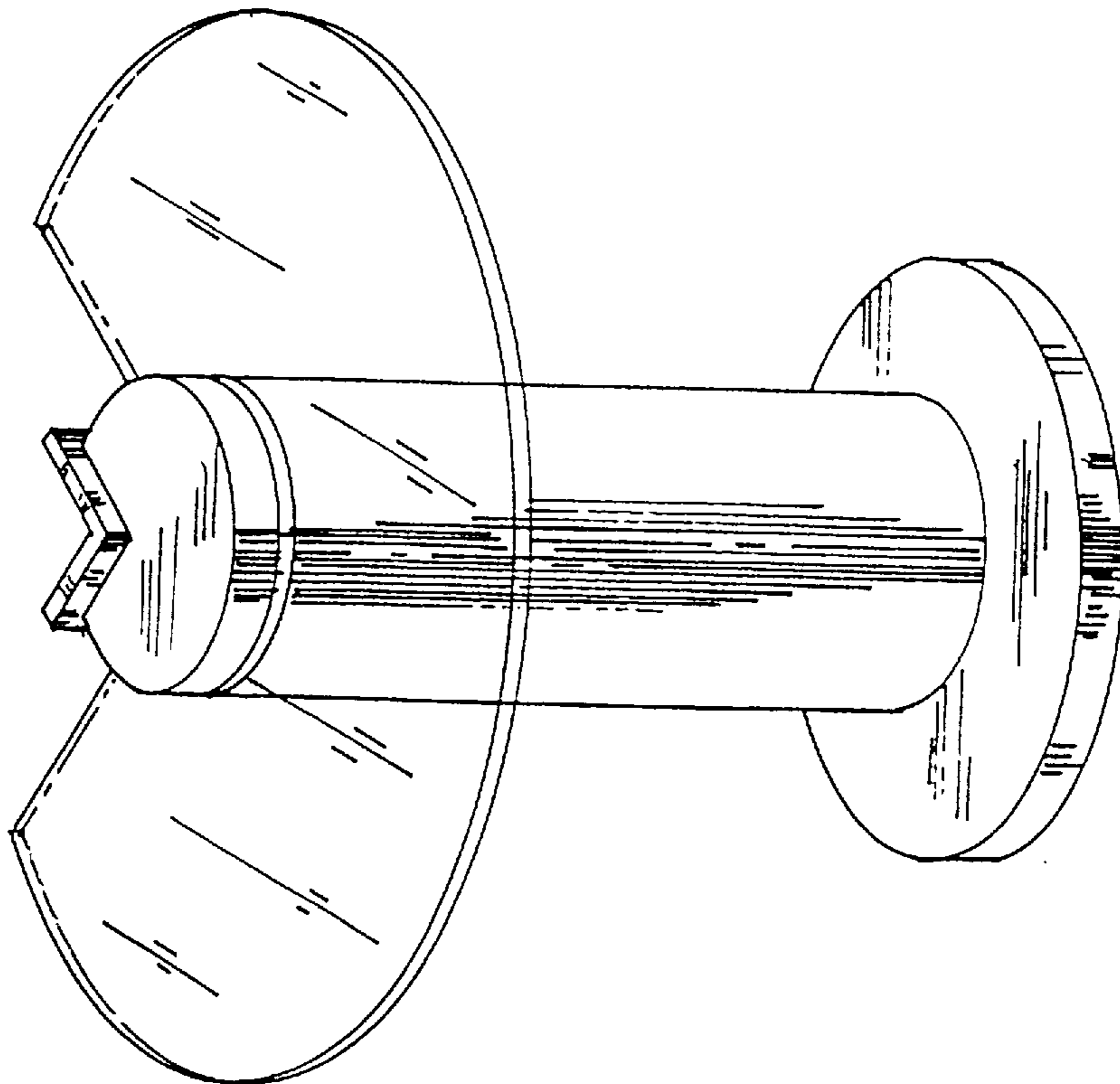


FIG 1

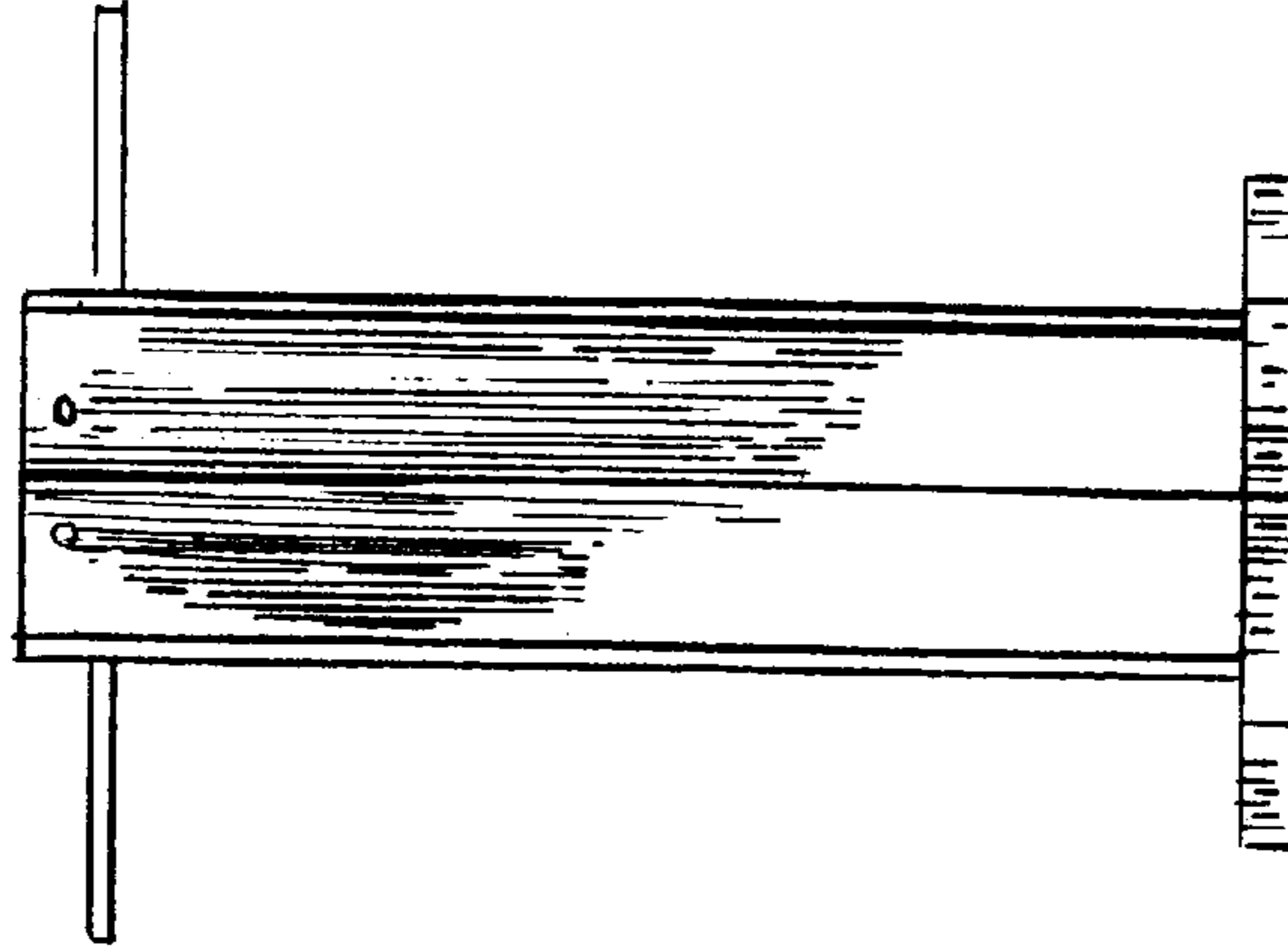


FIG 4

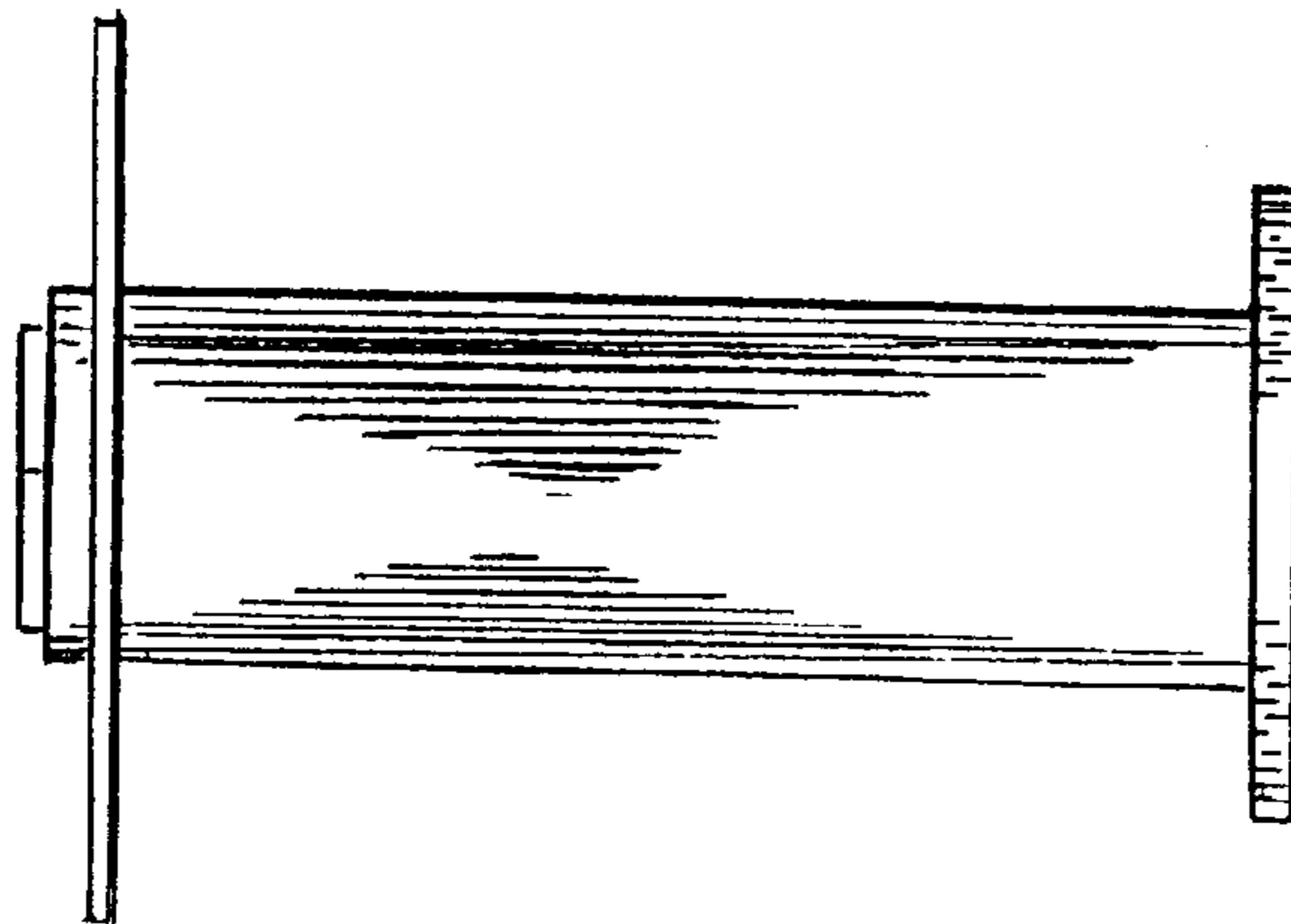


FIG 3