



US00D401782S

**United States Patent** [19]  
**Mitchell**

[11] **Patent Number: Des. 401,782**

[45] **Date of Patent: \*\*Dec. 1, 1998**

[54] **PEDESTAL FOR A DESK**

[75] Inventor: **John Mitchell**, London, England

[73] Assignee: **Specialised Banking Furniture (International Limited)**, East Sussex, England

[\*\*] Term: **14 Years**

[21] Appl. No.: **67,640**

[22] Filed: **Feb. 28, 1997**

[30] **Foreign Application Priority Data**

Sep. 6, 1996 [GB] United Kingdom ..... 2059133

[51] **LOC (6) Cl.** ..... **06-04**

[52] **U.S. Cl.** ..... **D6/446**

[58] **Field of Search** ..... D6/432-448, 481, D6/491, 495, 510, 509, 396, 422; 312/204, 257, 227, 107, 111, 140.1, 140.3; 108/50.01, 50.02; D14/102

[56] **References Cited**

**U.S. PATENT DOCUMENTS**

D. 277,625 2/1985 Hannah ..... D6/422

- D. 328,171 7/1992 Hikawa ..... D6/441 X
- D. 328,824 8/1992 Belleinie et al. .... D6/445
- D. 331,513 12/1992 Zapf ..... D6/509 X
- D. 336,806 6/1993 Zoellner ..... D6/510
- D. 348,574 7/1994 Brunner et al. .... D6/446
- D. 365,224 12/1995 Pohlman ..... D6/445
- D. 369,923 5/1996 Crane, Jr. et al. .... D6/441
- D. 380,624 7/1997 Mezger ..... D6/422

*Primary Examiner*—Jeffrey Asch  
*Attorney, Agent, or Firm*—Hardaway Law Firm, P.A.

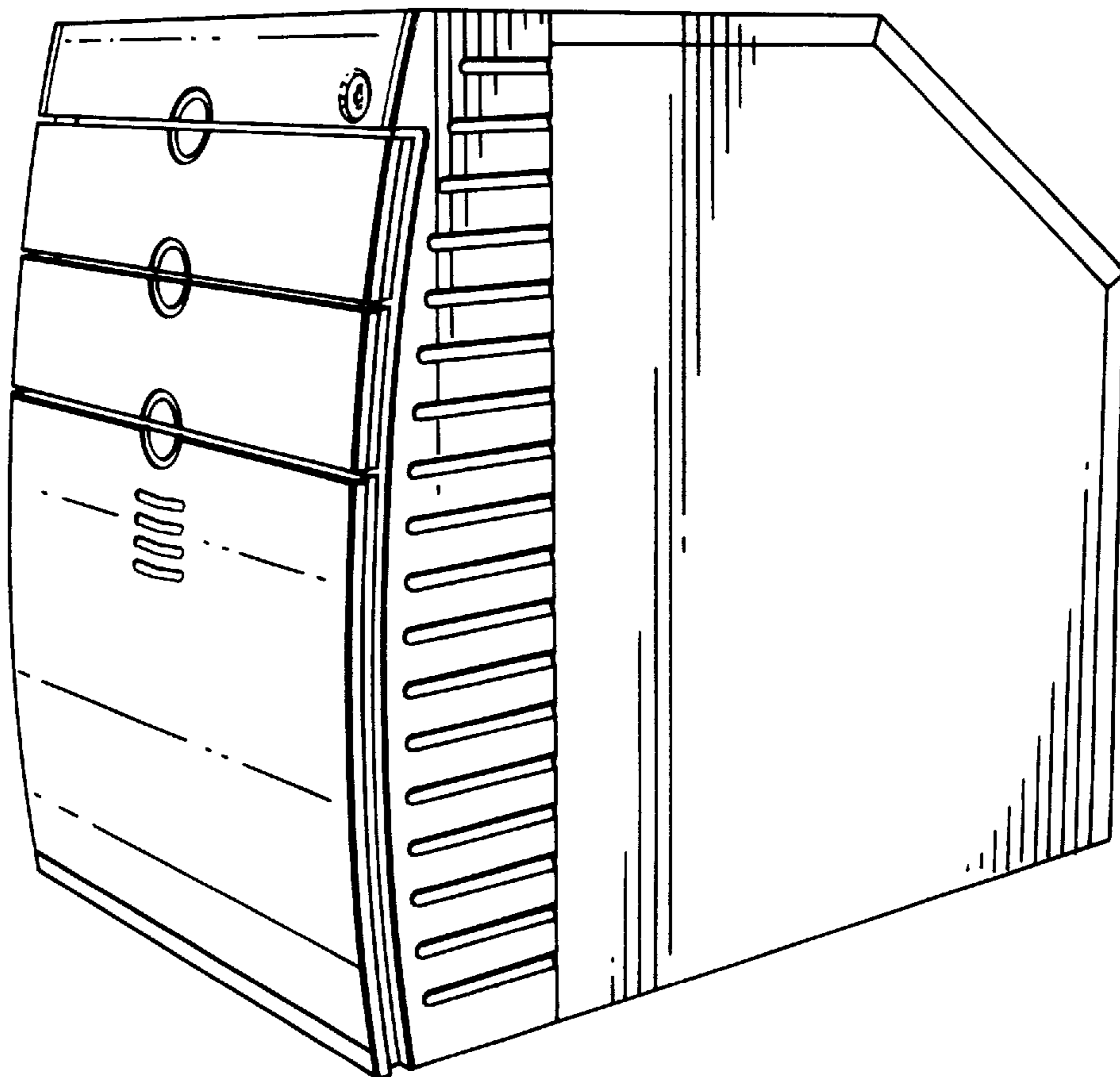
[57] **CLAIM**

The ornamental design for the pedestal for a desk, as shown and described.

**DESCRIPTION**

FIG. 1 is a perspective view of the front and one side of the pedestal;  
FIG. 2 is a perspective view of the rear and other side of the pedestal;  
FIG. 3 is a front view of the pedestal;  
FIG. 4 is a rear view of the pedestal;  
FIG. 5 is a side view of the pedestal;  
FIG. 6 is a plan view of the pedestal; and,  
FIG. 7 is an underneath plan view of the pedestal.

**1 Claim, 3 Drawing Sheets**



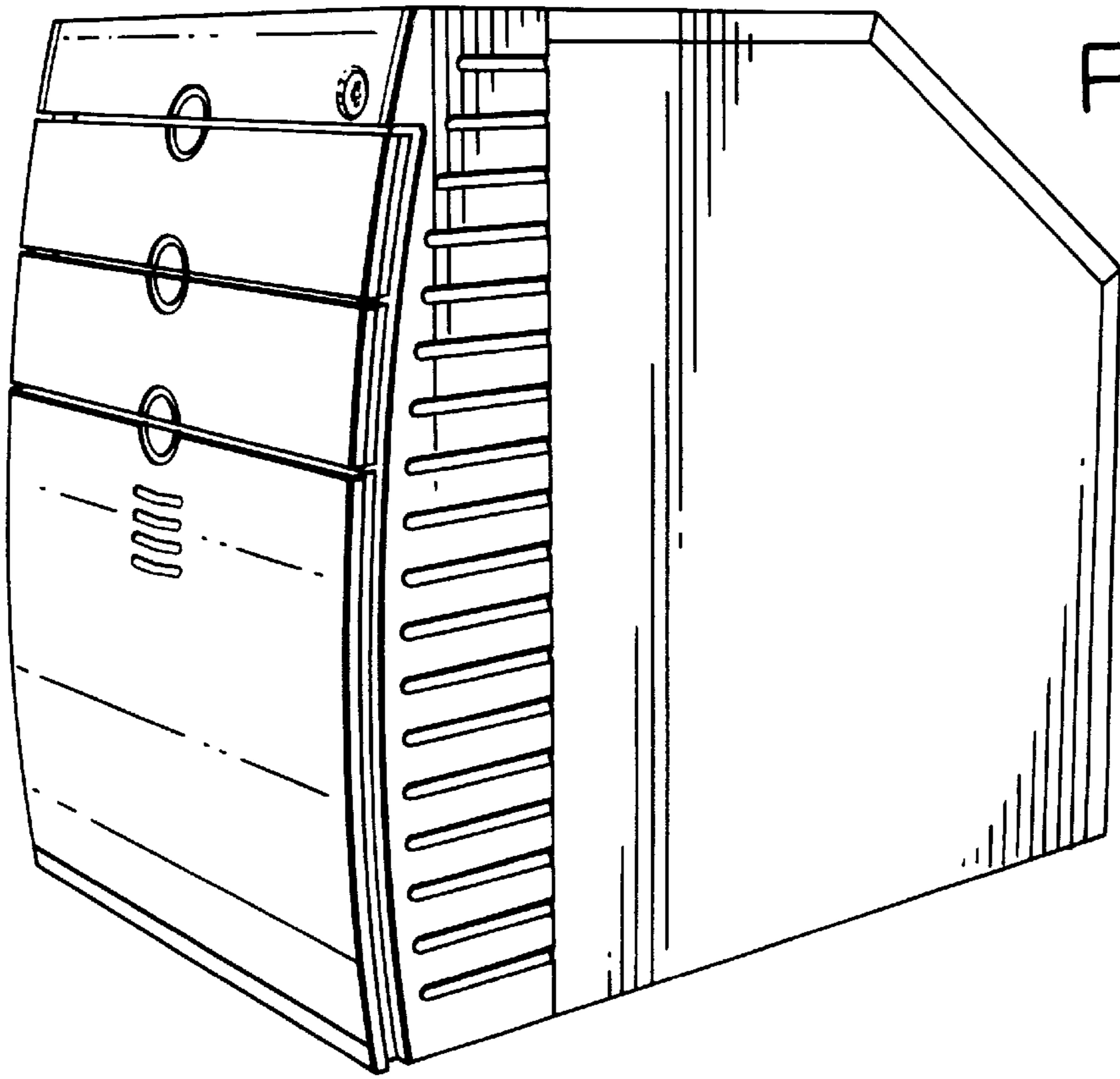
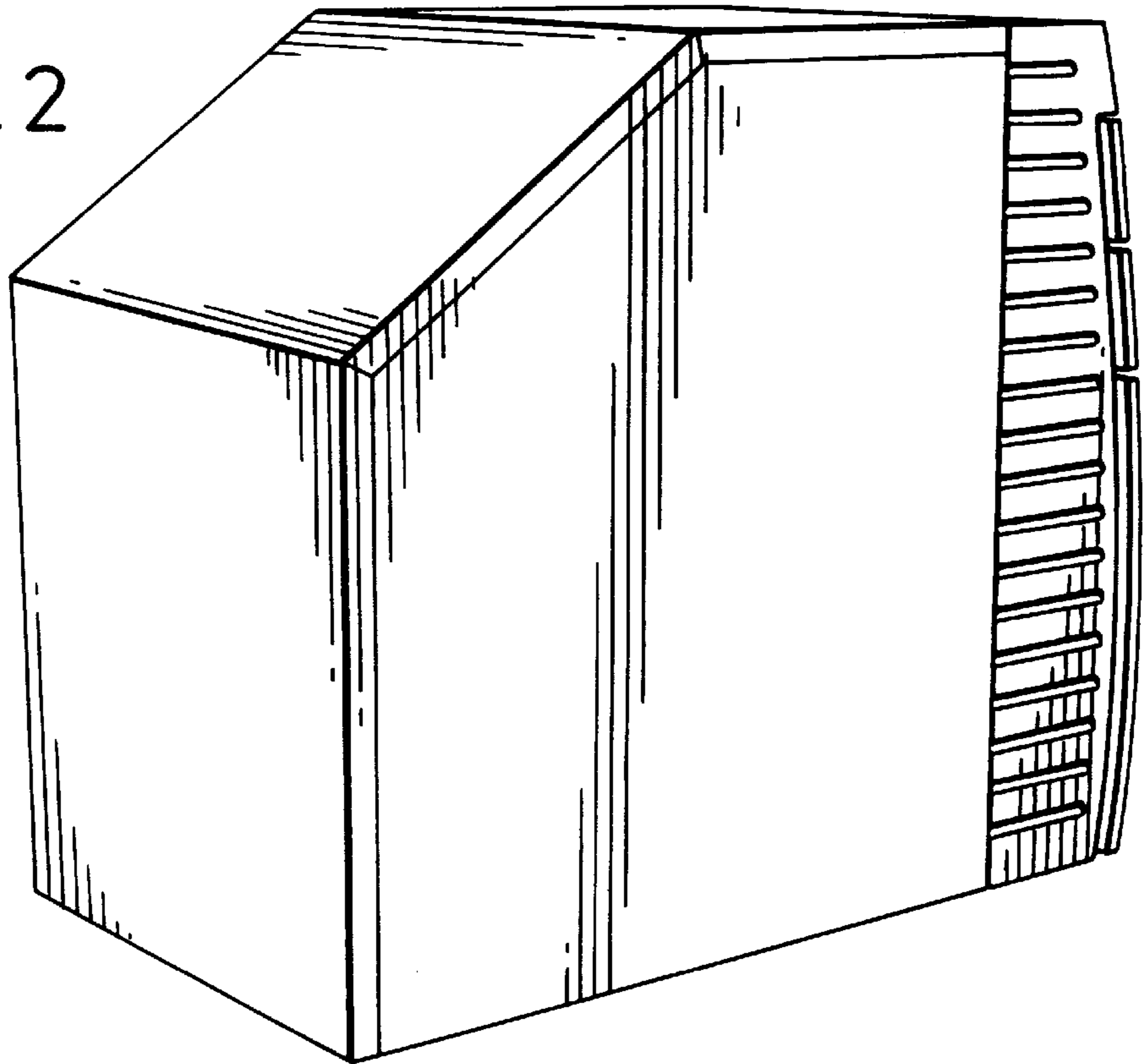


FIG. 2



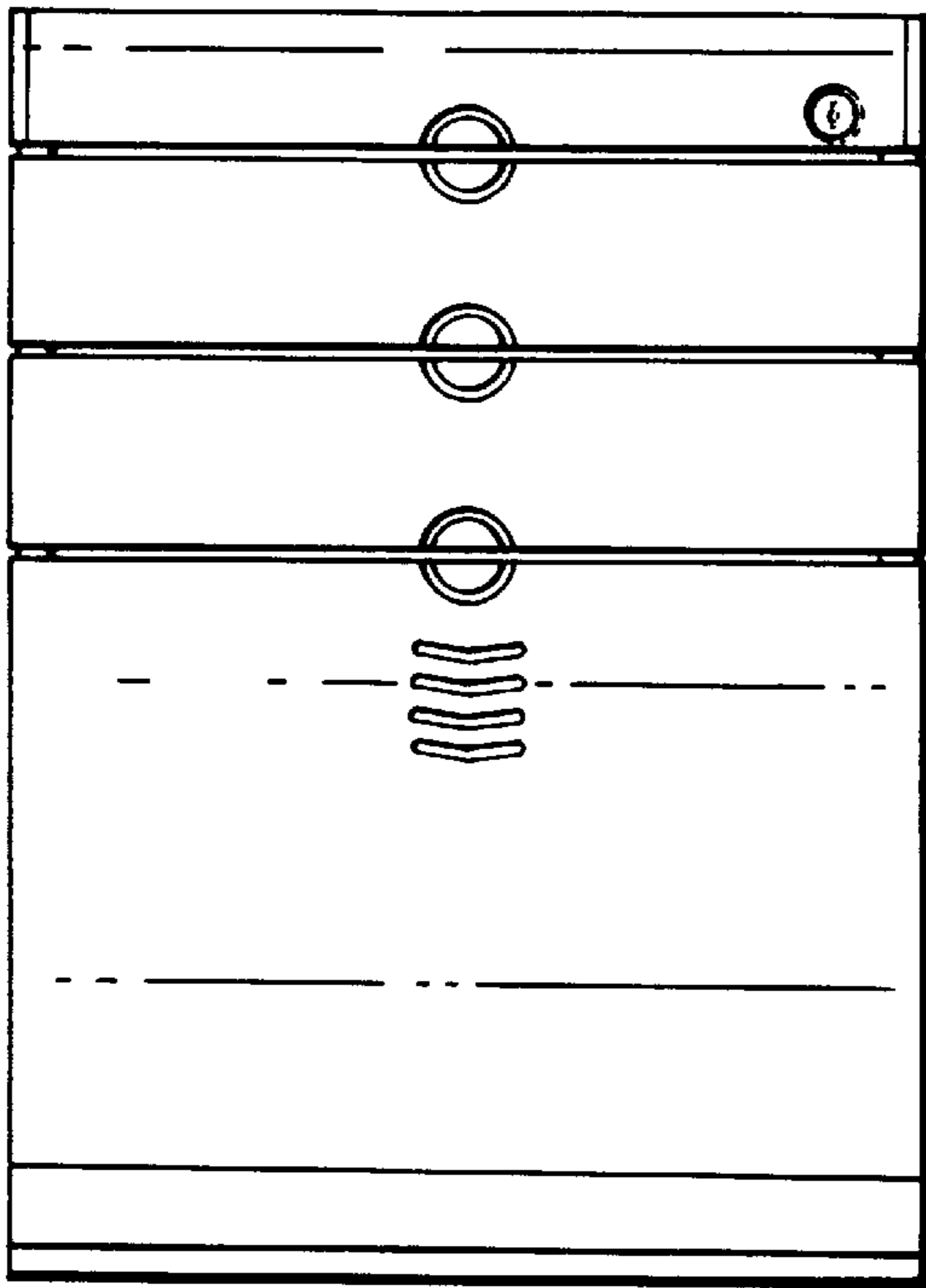


FIG. 3

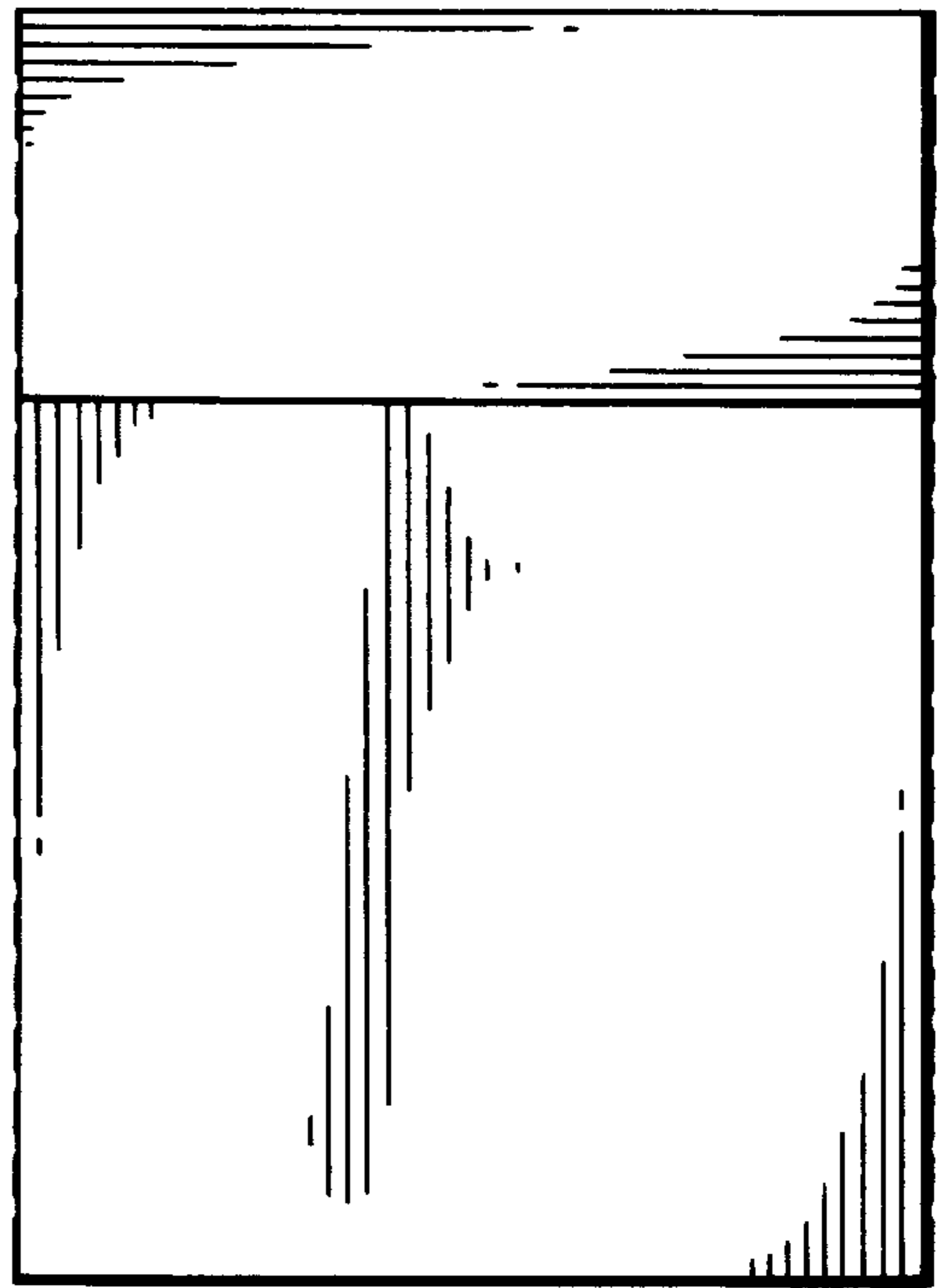


FIG. 4

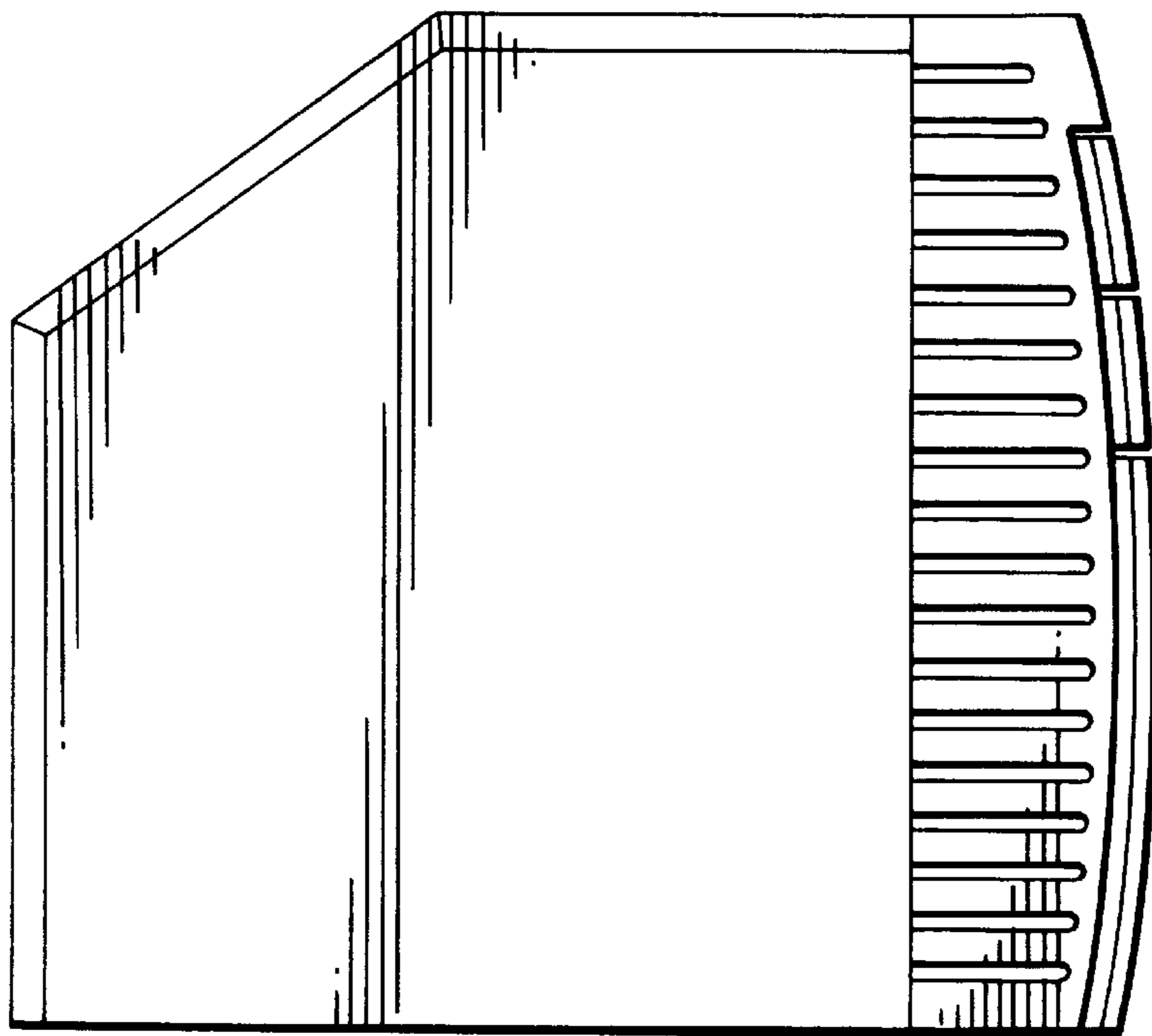


FIG. 5

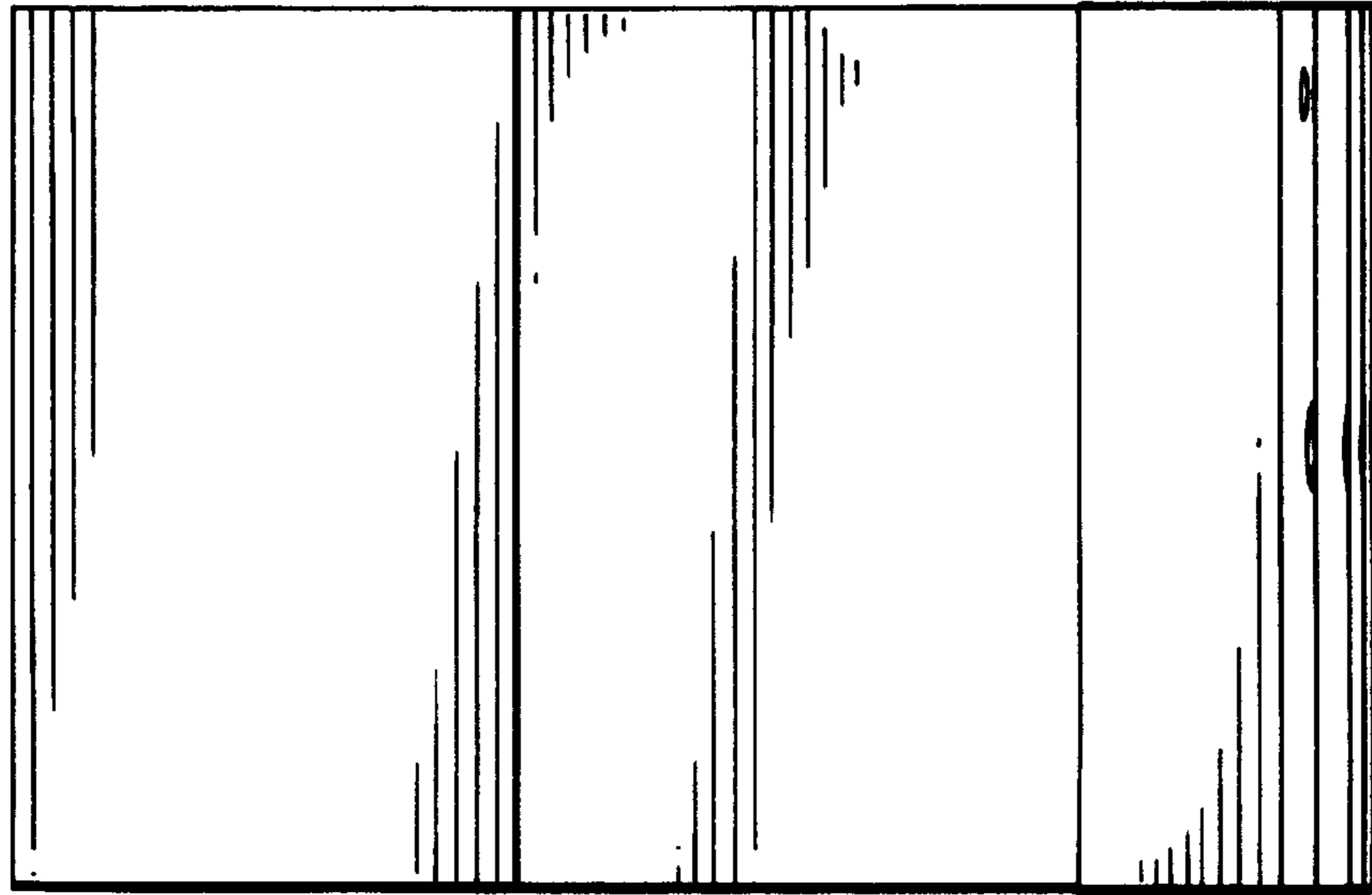


FIG. 6

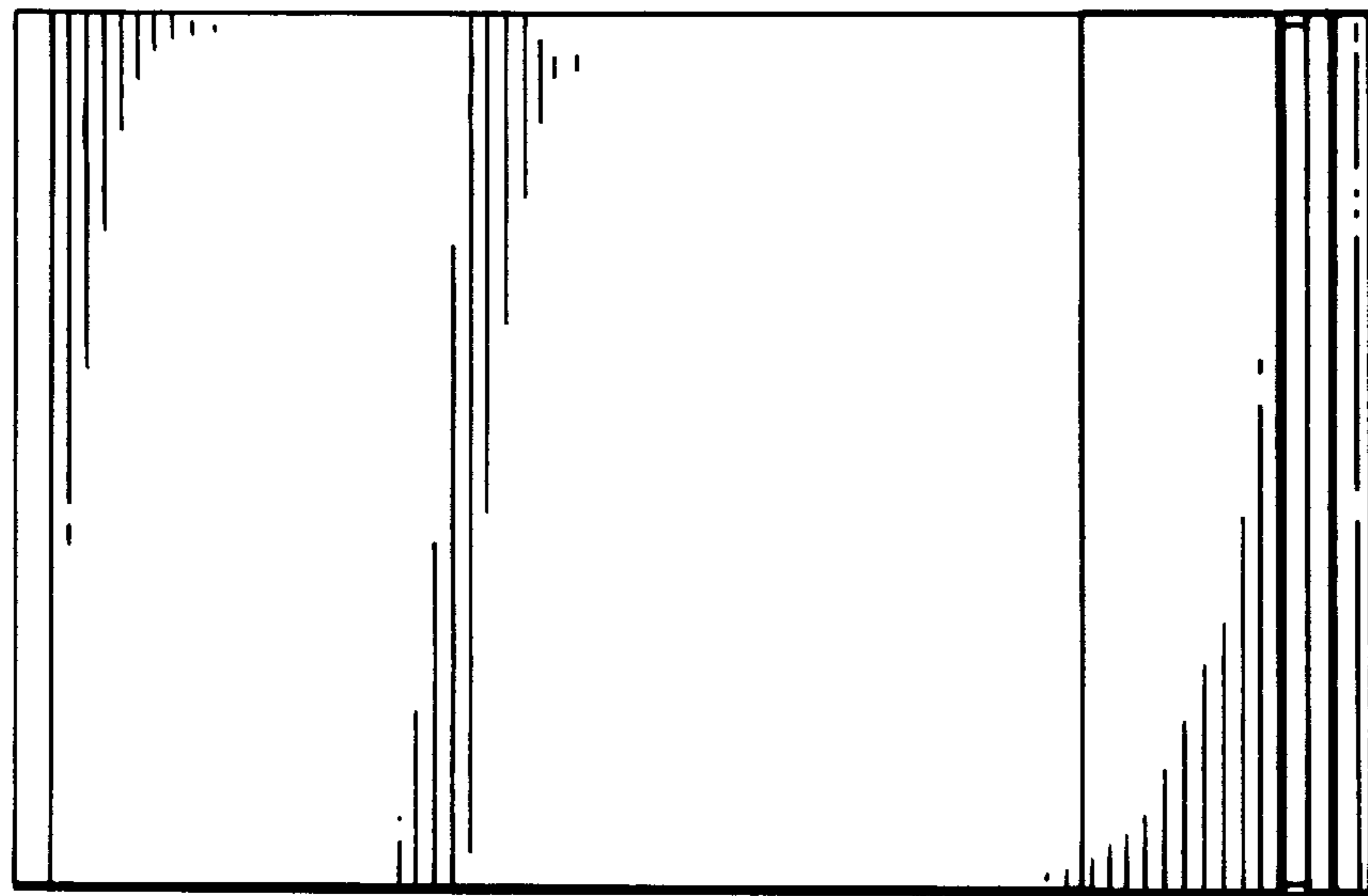


FIG. 7