

US00D401776S

**United States Patent** [19]  
**Weng**

[11] **Patent Number: Des. 401,776**  
[45] **Date of Patent: \*\*Dec. 1, 1998**

[54] **COMPUTER DESK**

[76] Inventor: **Huo Yung Weng**, P.O. Box 196, Fung Yung, Taichung, Taiwan

[\*\*] Term: **14 Years**

[21] Appl. No.: **76,912**

[22] Filed: **Sep. 25, 1997**

[51] **LOC (6) Cl. .... 06-04**

[52] **U.S. Cl. .... D6/426**

[58] **Field of Search** ..... D6/422, 423, 425-431, D6/480, 484, 487, 474, 477-479; 108/1, 28, 25, 59, 60, 91-93; 312/194-196, 223.2, 223.3; D14/102-104

[56] **References Cited**

**U.S. PATENT DOCUMENTS**

D. 273,449	4/1984	Wieczorek	.....	D6/426
D. 347,339	5/1994	Bellini et al.	.....	D6/477
D. 353,279	12/1994	Funk	.....	D6/476
D. 368,812	4/1996	Lee	.....	D6/421
5,419,552	5/1995	Hilton	.....	312/223.3 X

**OTHER PUBLICATIONS**

Miller's Office Products, "Workstation Plus", Item LGM-T P 243650, p. 81, 1996.

*Primary Examiner*—James Gandy  
*Assistant Examiner*—Linda Brooks

[57] **CLAIM**

The ornamental design for a computer desk, as shown and described.

**DESCRIPTION**

FIG. 1 is a perspective view of a computer desk showing my new design;

FIG. 2 is a front elevational view thereof;

FIG. 3 is a rear elevational view thereof;

FIG. 4 is a top plan view thereof;

FIG. 5 is a bottom plan view thereof;

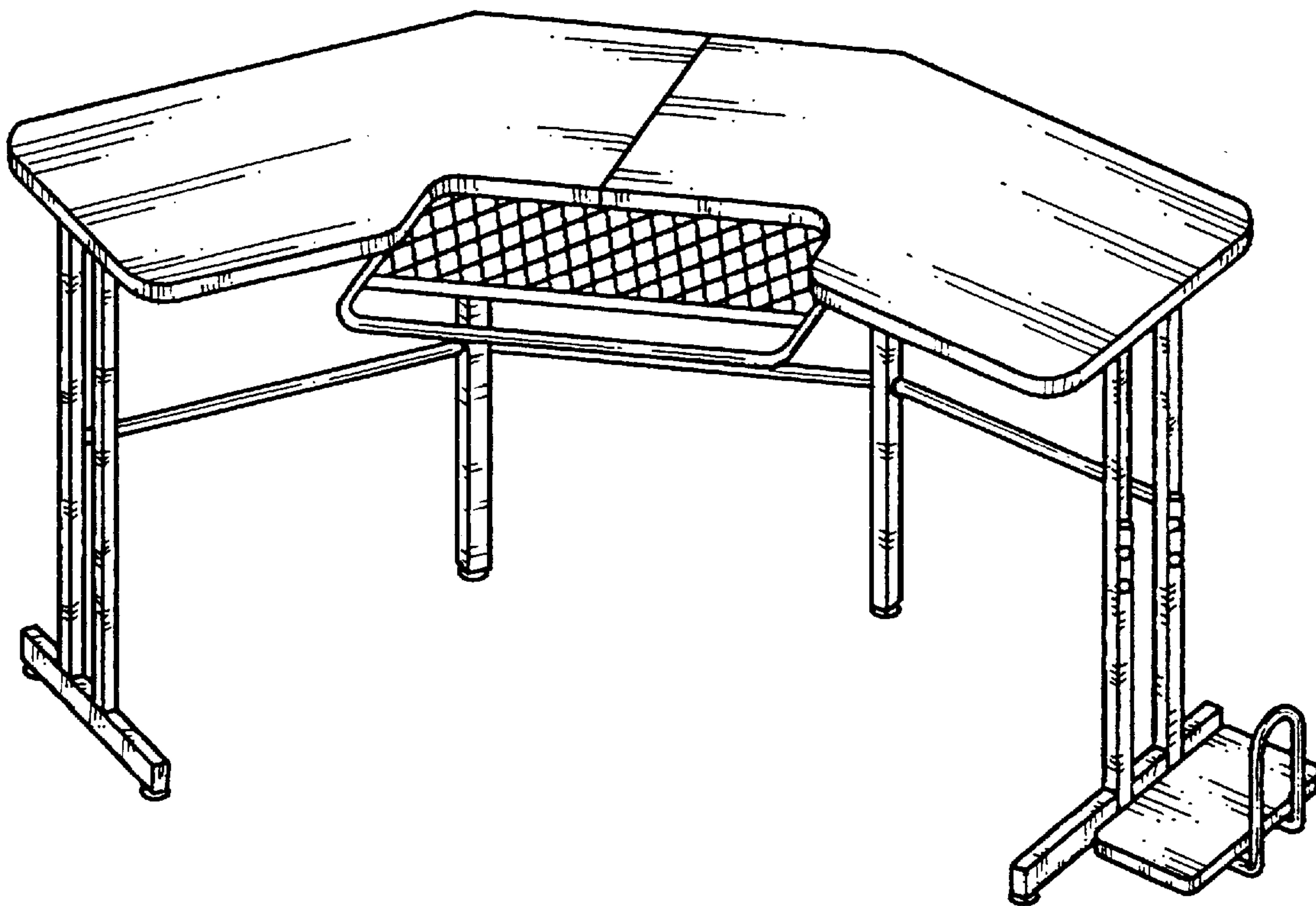
FIG. 6 is a left side elevational view thereof;

FIG. 7 is a right side elevational view thereof;

FIG. 8 is a perspective view of FIG. 1 with a shelf unit shown in broken lines for purposes of illustration only and forming no part of the claimed design; and,

FIG. 9 is a perspective view of FIG. 1 with a bracket and panel unit shown in broken lines for purposes of illustration only and forming no part of the claimed design.

**1 Claim, 4 Drawing Sheets**



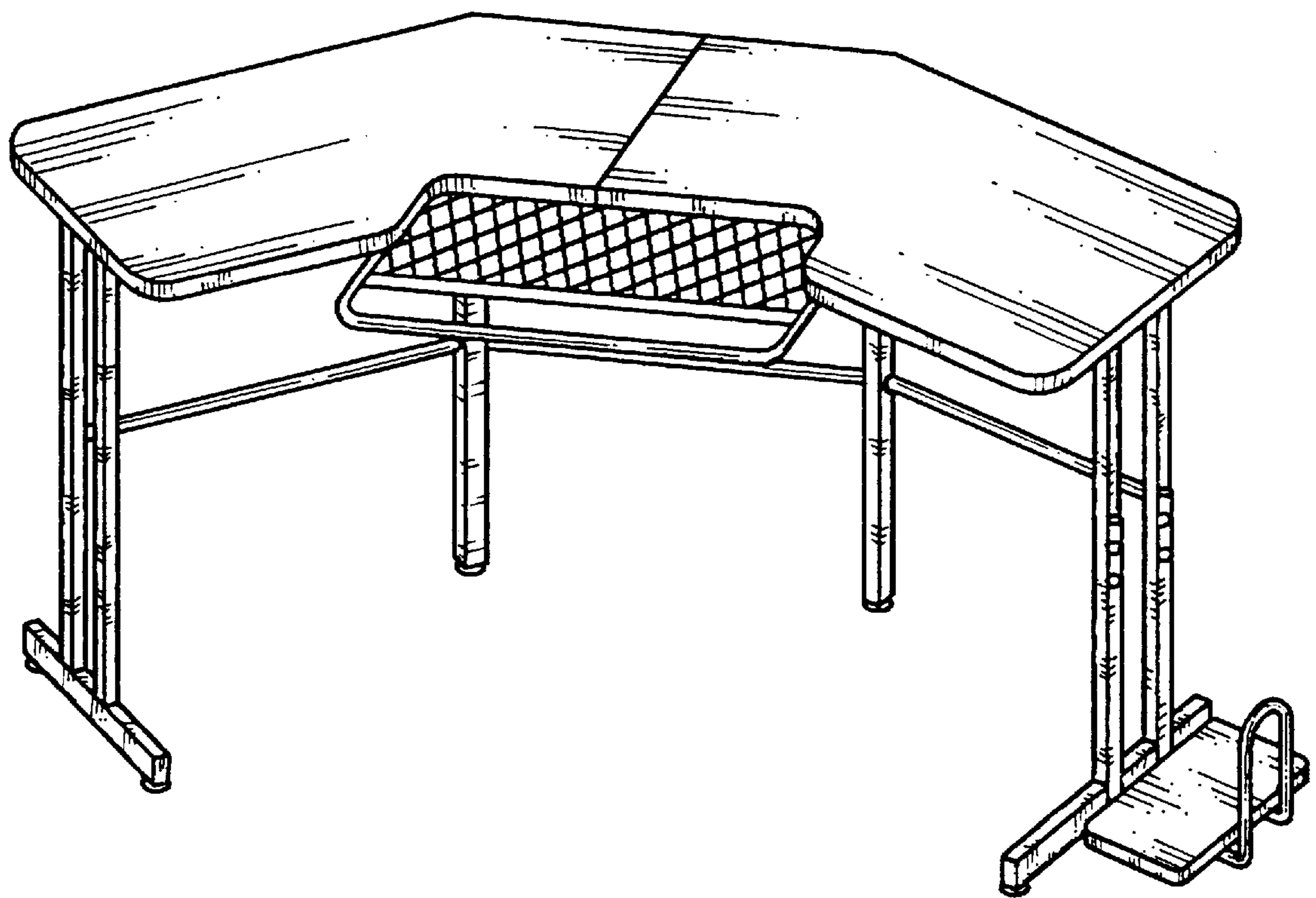


FIG. 1

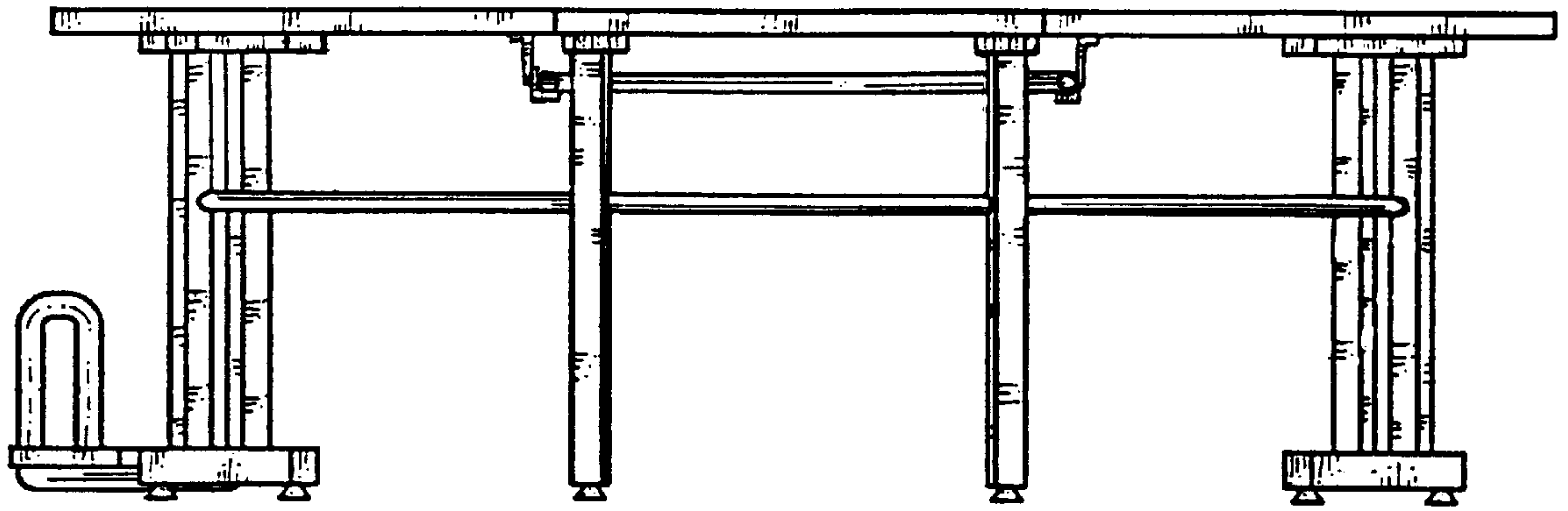


FIG. 3

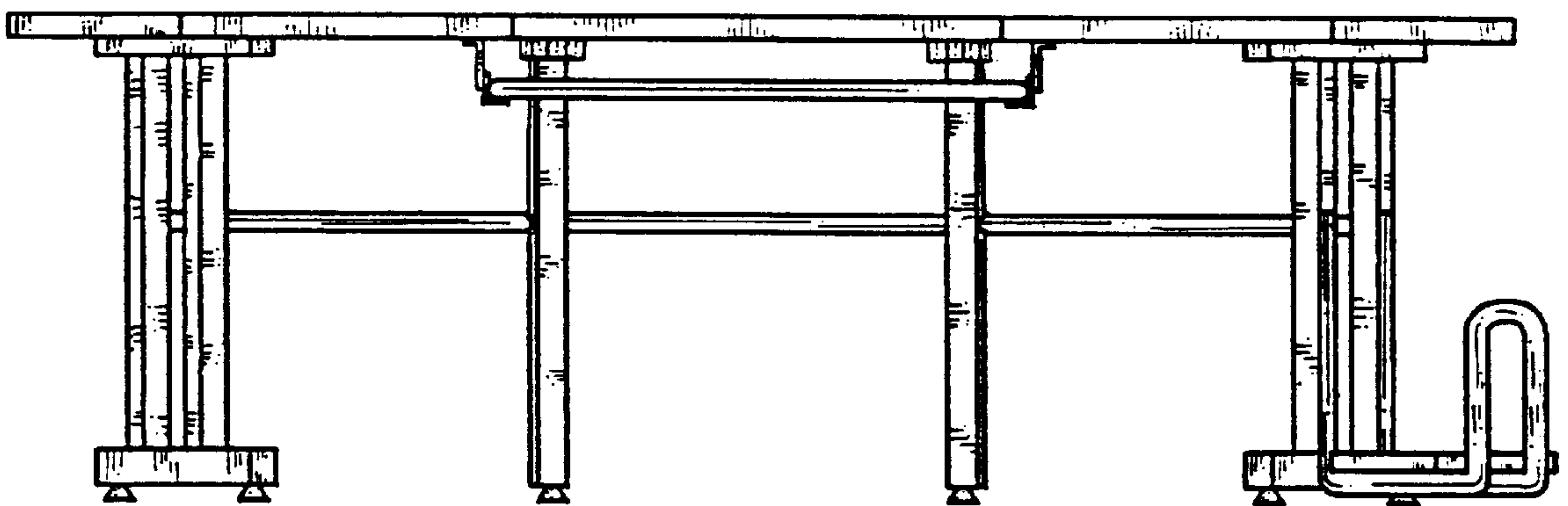


FIG. 2

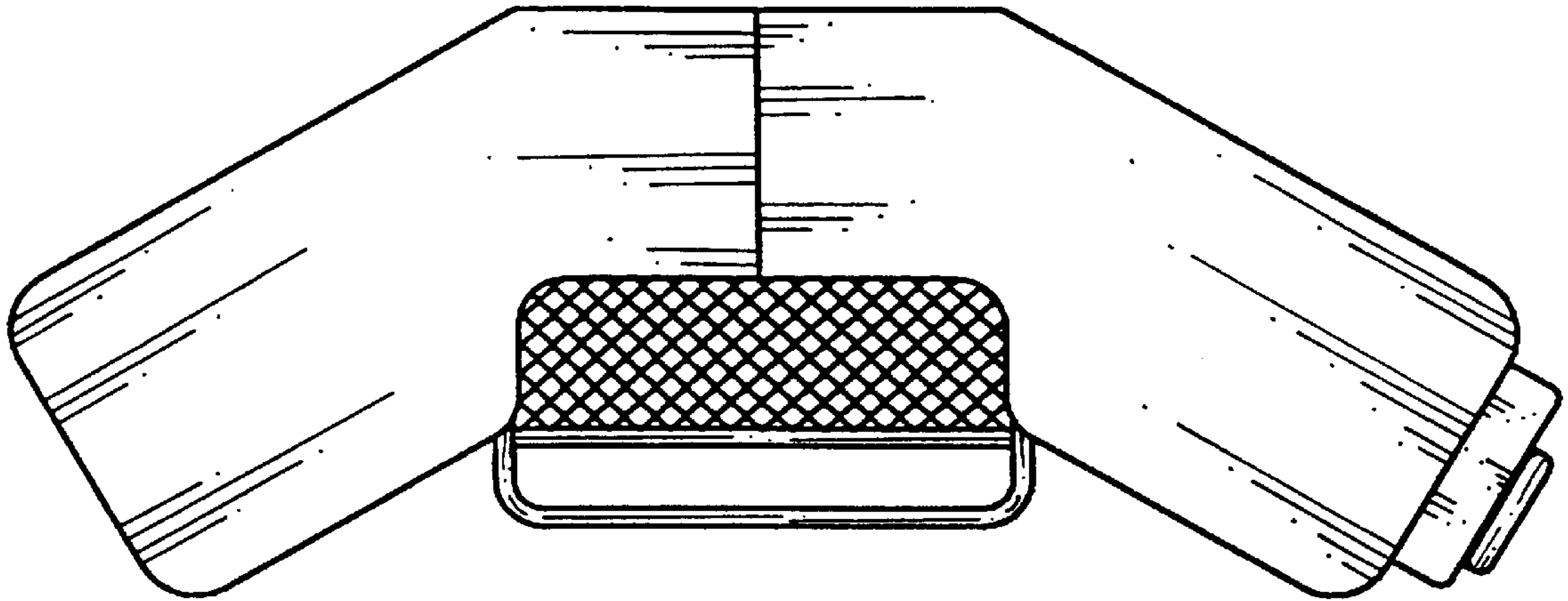


FIG. 4

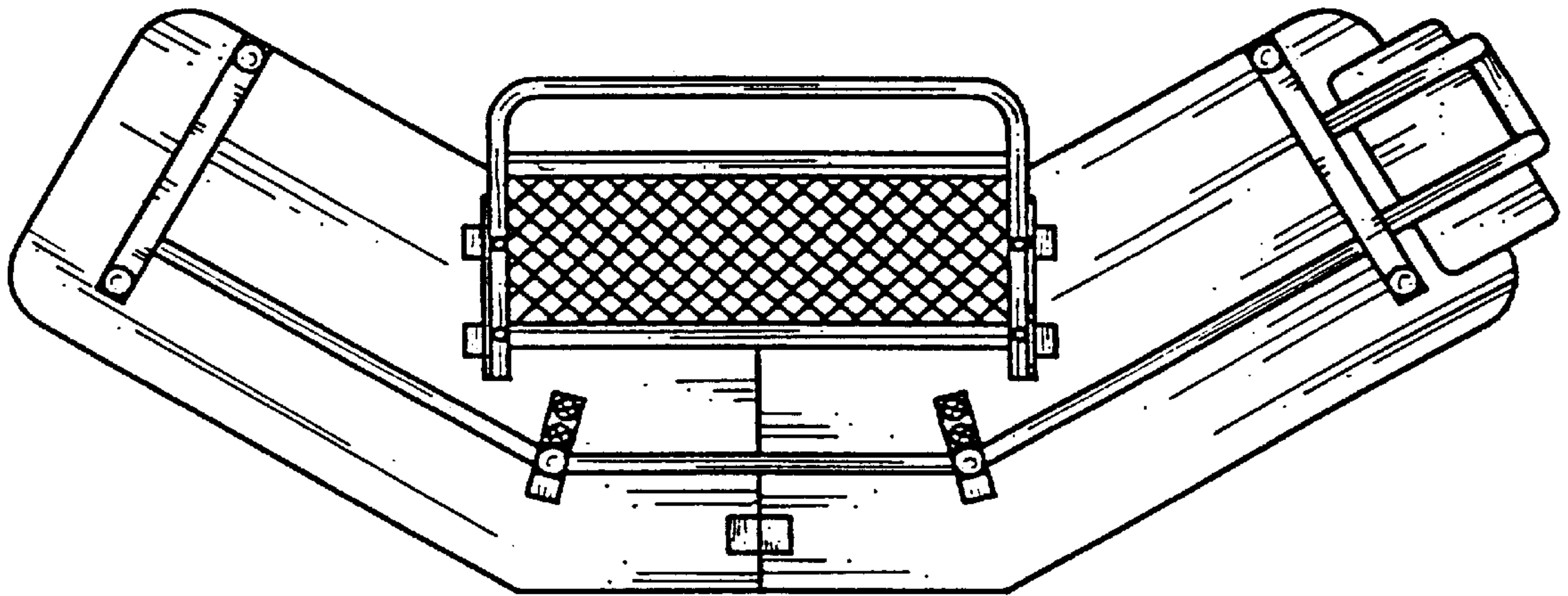


FIG. 5

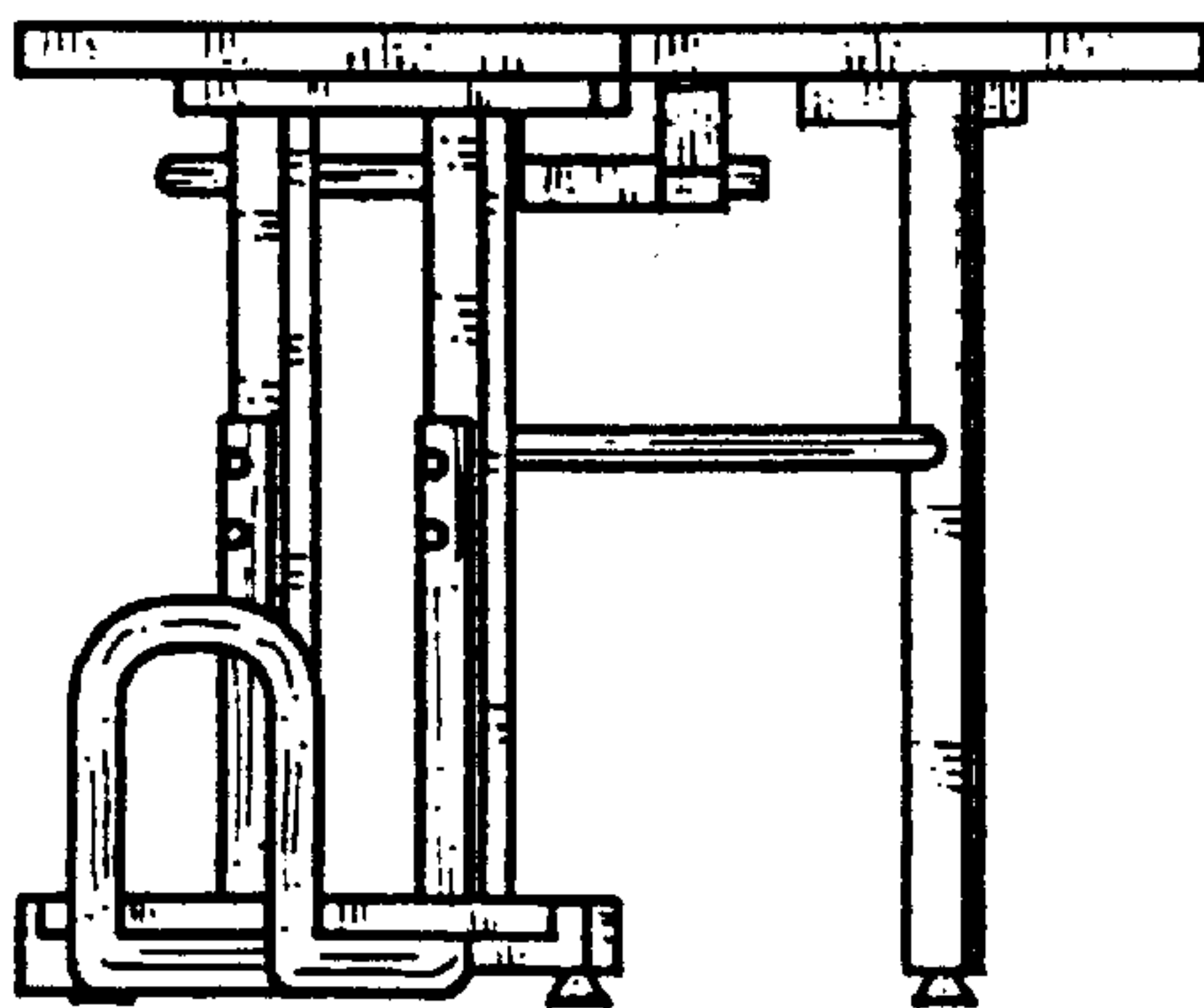


FIG. 7

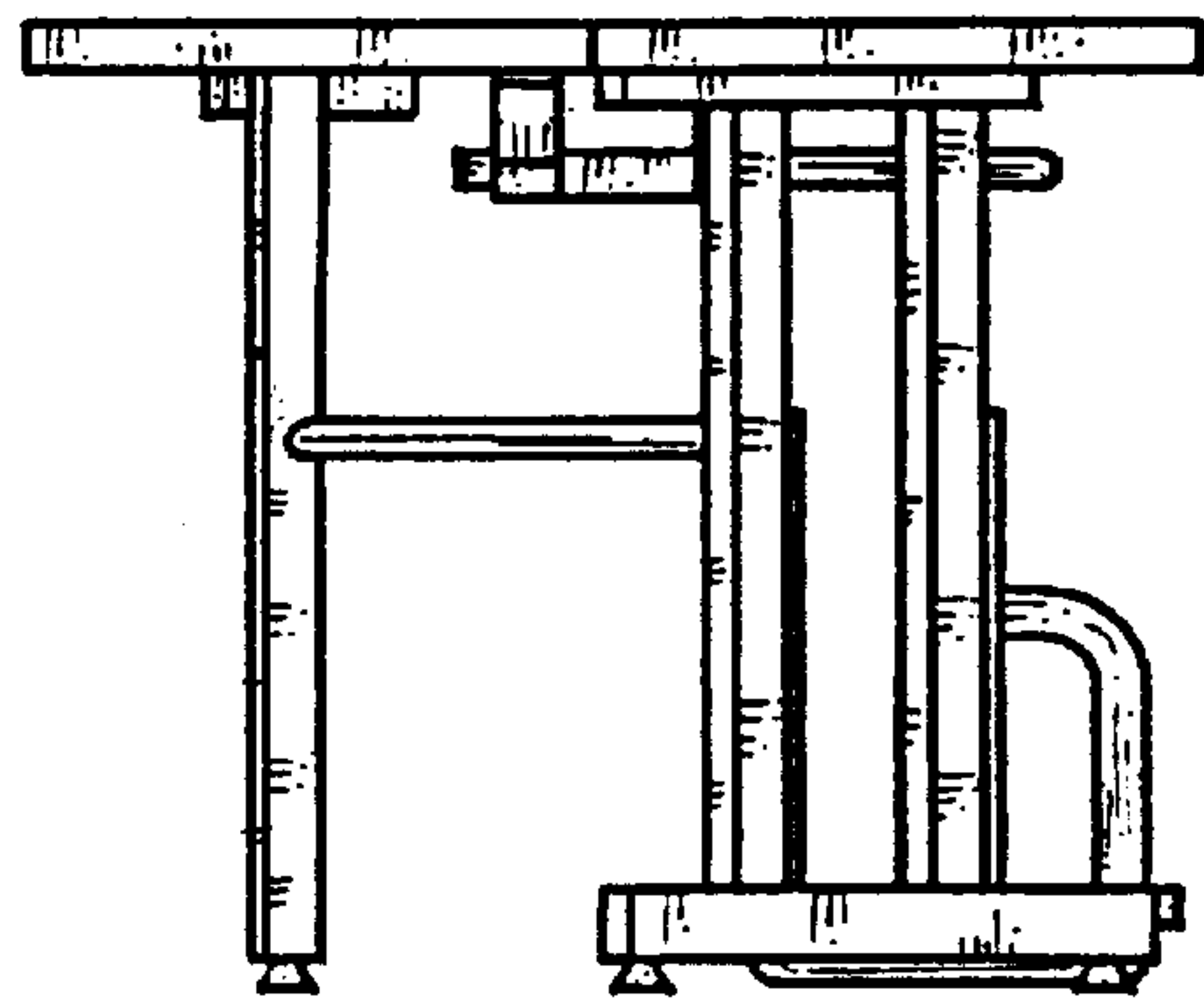


FIG. 6



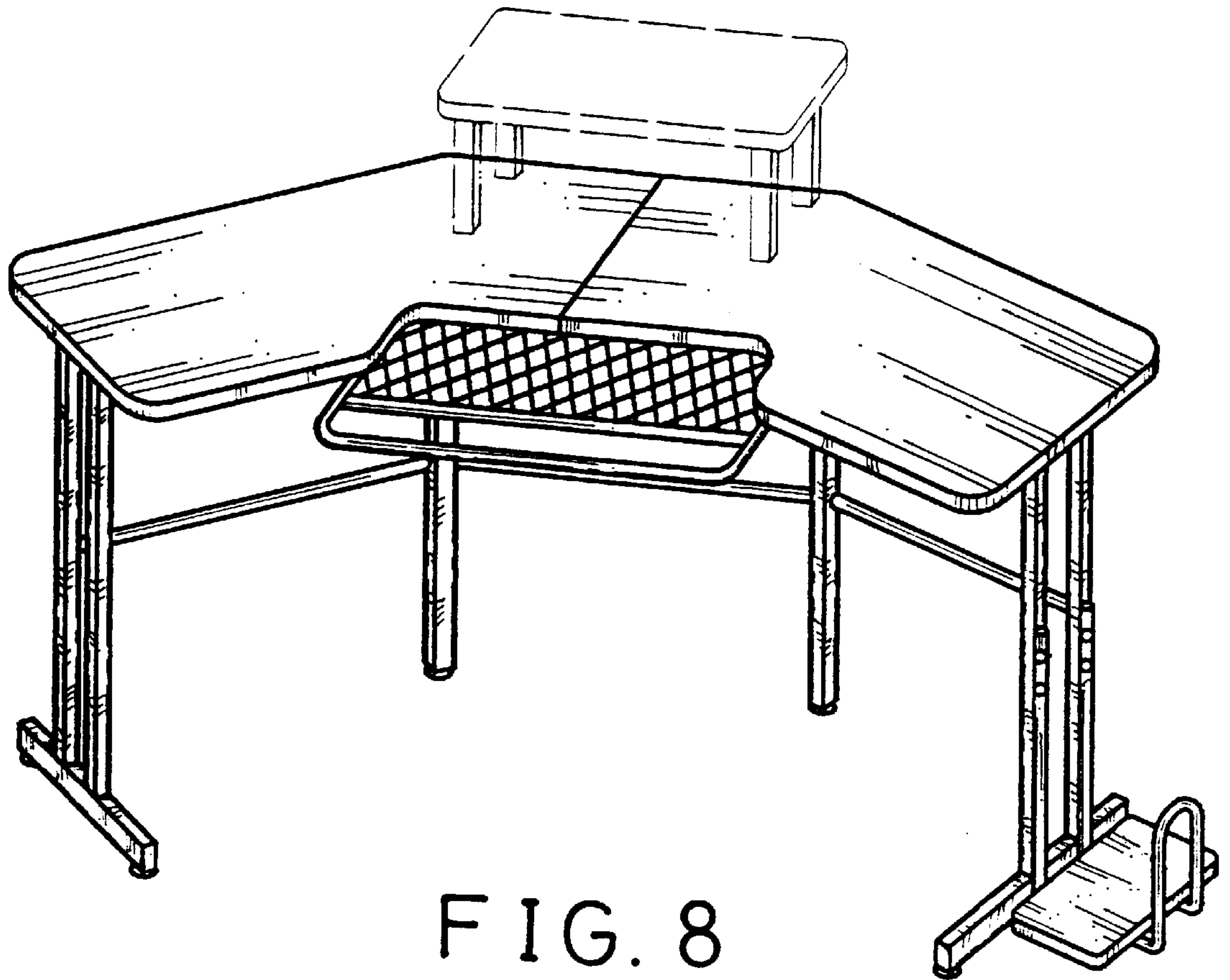


FIG. 8

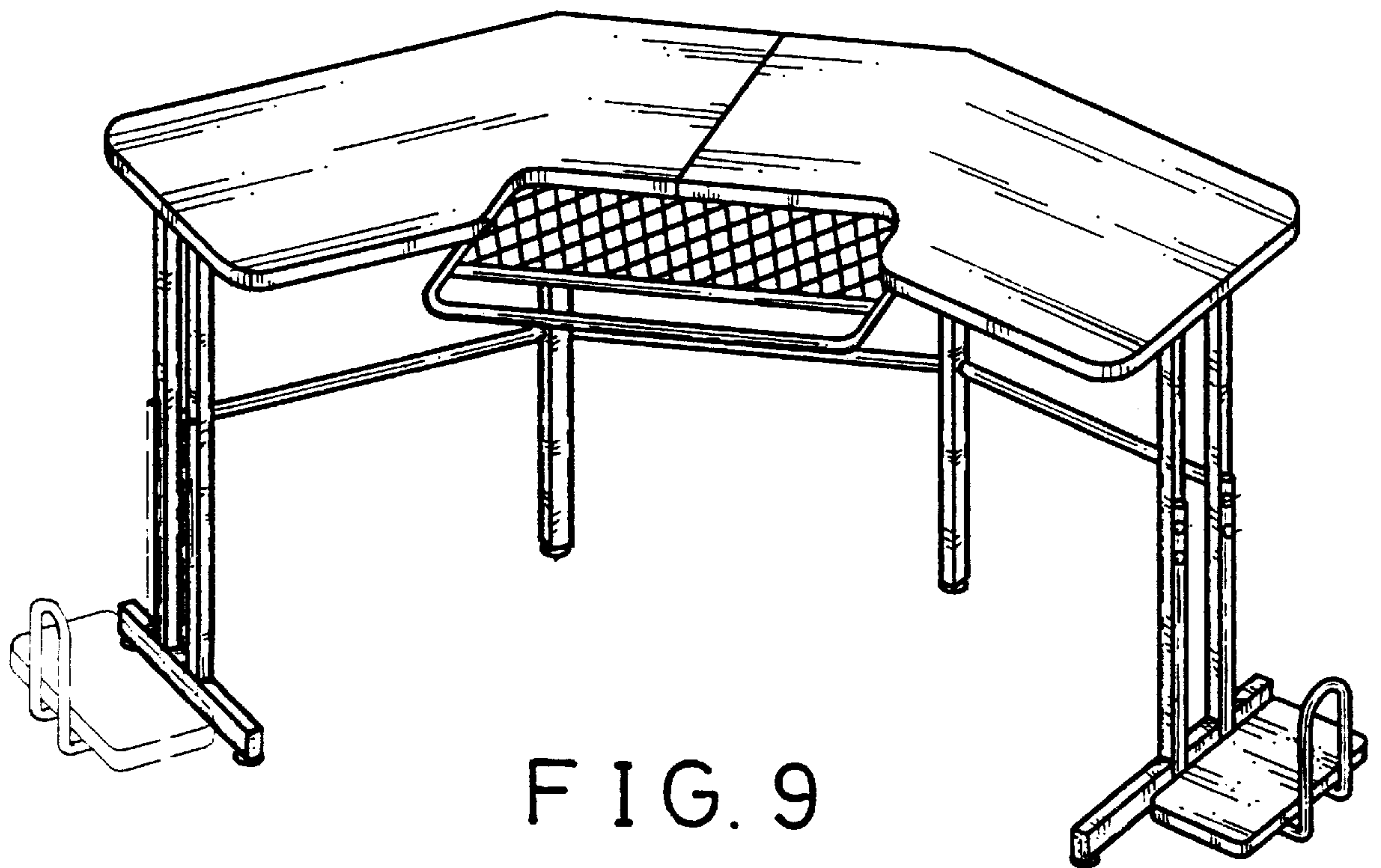


FIG. 9