



US00D401775S

United States Patent [19]

Alexander et al.

[11] Patent Number: **Des. 401,775**

[45] Date of Patent: ****Dec. 1, 1998**

[54] TABLE WITH ARTICLE-SUPPORTIVE SURROUND

[75] Inventors: **Brian D. T. Alexander**, Douglas; **Roque Matias Corpuz, Jr.**, Grand Rapids, both of Mich.

[73] Assignee: **Haworth, Inc.**, Holland, Mich.

[**] Term: **14 Years**

[21] Appl. No.: **71,758**

[22] Filed: **Jun. 6, 1997**

[51] LOC (6) Cl. **06-04**

[52] U.S. Cl. **D6/426**

[58] Field of Search D6/422, 426-430, D6/473, 480, 482, 484; D14/102-104; 108/1, 50, 59, 60, 90-93, 149, 161; 211/1, 13.1; 312/193-196, 183, 238, 223.2, 223.3

[56] References Cited

U.S. PATENT DOCUMENTS

D. 286,233	10/1986	Schreiner	D6/397
D. 321,447	11/1991	Newhouse	D6/484
D. 370,571	6/1996	Newhouse et al.	D6/429
D. 377,873	2/1997	Flötotto	D6/427
D. 388,981	1/1998	Gongora et al.	D6/482
D. 389,336	1/1998	Moore	D6/426
D. 389,667	1/1998	Moore	D6/426
581,127	4/1897	McCorkle	.	
1,528,855	3/1925	Smith	.	
1,911,959	5/1933	Kern et al.	.	
2,090,176	8/1937	Besancon	312/140
2,153,422	4/1939	Kroman	211/72
2,520,490	8/1950	Boward	273/150
4,605,988	8/1986	Nienhuis et al.	361/429
4,852,500	8/1989	Ryburg et al.	108/105
4,914,873	4/1990	Newhouse	52/36
4,938,366	7/1990	Carroll	211/55
5,009,335	4/1991	Jonker	211/55
5,024,167	6/1991	Hayward	108/50

5,120,117	6/1992	Williams	312/208
5,289,926	3/1994	Lewis et al.	211/45
5,317,977	6/1994	Omessi	108/97
5,609,112	3/1997	Meyer et al.	108/153

OTHER PUBLICATIONS

U.S. application No. 29/071 761, filed Jun. 6, 1997, U-Shaped Work Station.

U.S. Provisional application No. 60/019 425, filed Jun. 7, 1996.

Primary Examiner—James Gandy

Assistant Examiner—Linda Brooks

Attorney, Agent, or Firm—Flynn, Thiel, Boutell & Tanis, P.C.

[57] CLAIM

The ornamental design for a table with article-supportive surround, as shown and described.

DESCRIPTION

FIG. 1 is a front isometric view of the table with article-supportive surround embodying our design;

FIG. 2 is a front elevational view thereof;

FIG. 3 is a top plan view thereof;

FIG. 4 is a back elevational view thereof;

FIG. 5 is a left side elevational view thereof, the right side elevational view being a mirror image thereof;

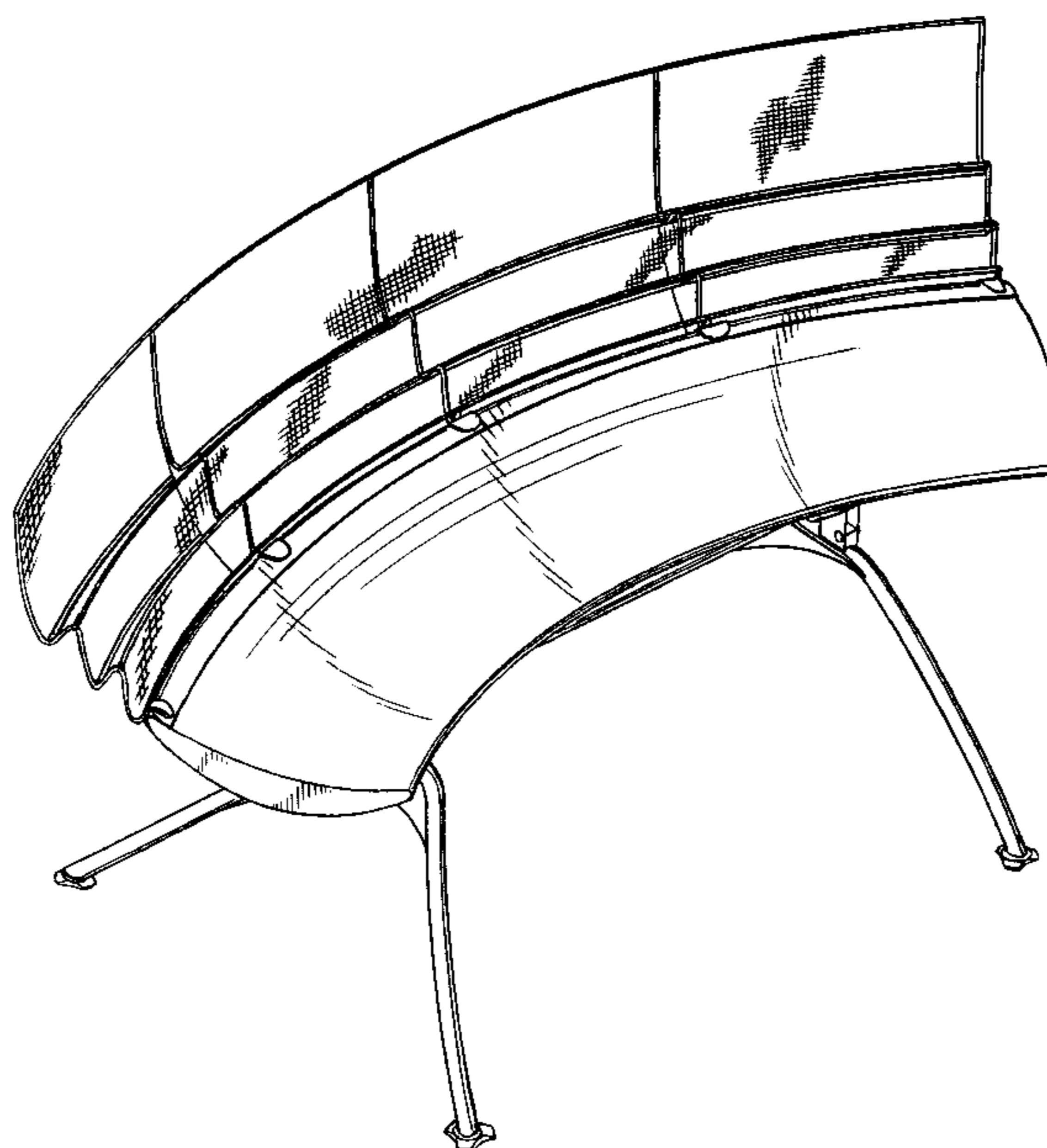
FIG. 6 is an enlarged fragmentary side cross-sectional view as taken along line 6—6 in FIG. 3 and illustrating the cross-sectional shape of the article-supportive surround for the table; and,

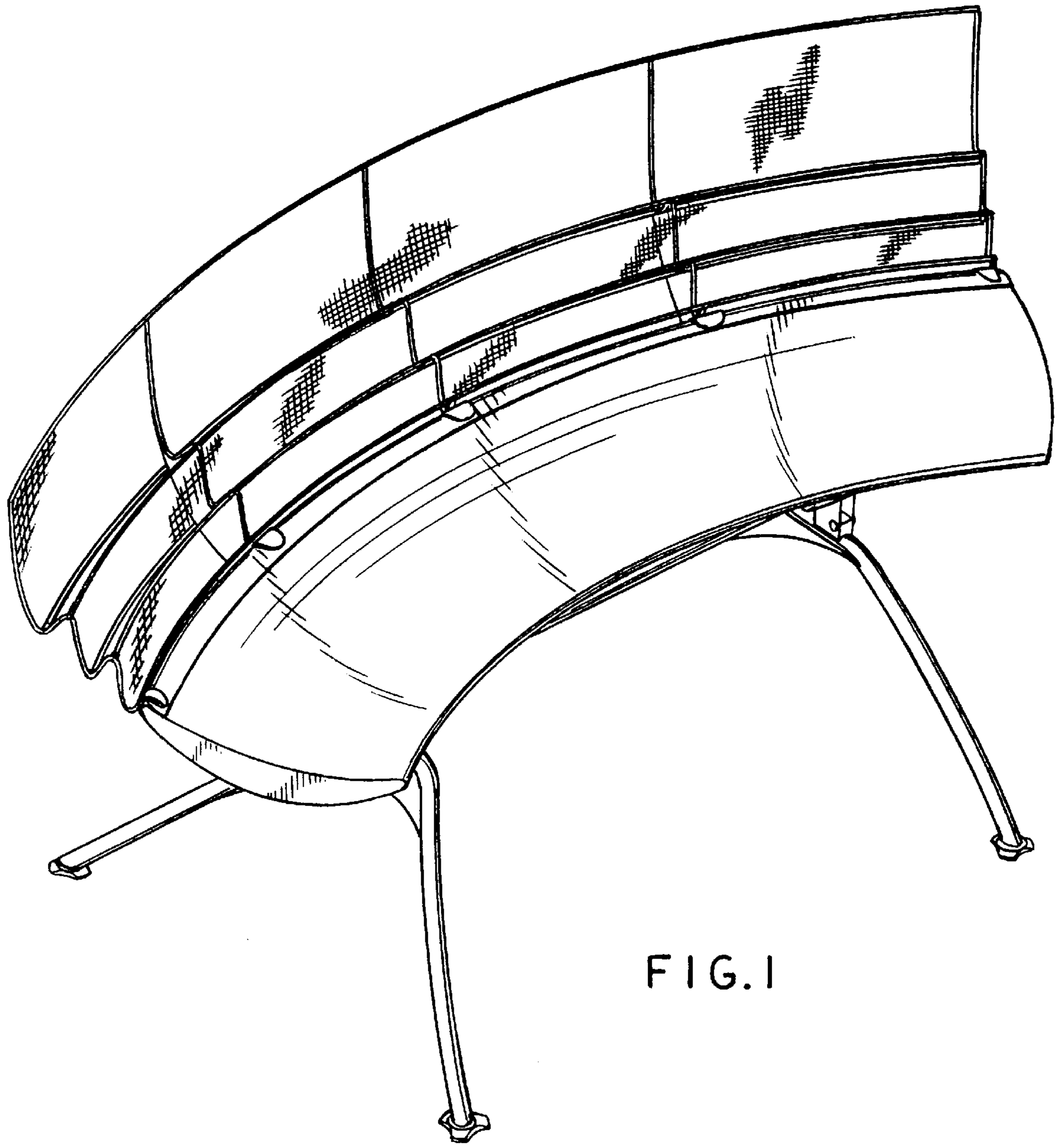
FIG. 7 is an enlarged fragmentary side cross-sectional view as taken along line 7—7 in FIG. 3 and illustrating the article-supportive surround.

The bottom of the table with article-supportive surround forms no part of the claimed design.

The pattern of material illustrated partially on the surround element in FIGS. 1, 2, 3, 4, and 5 is understood to extend across the entire surface of the surround element.

1 Claim, 5 Drawing Sheets





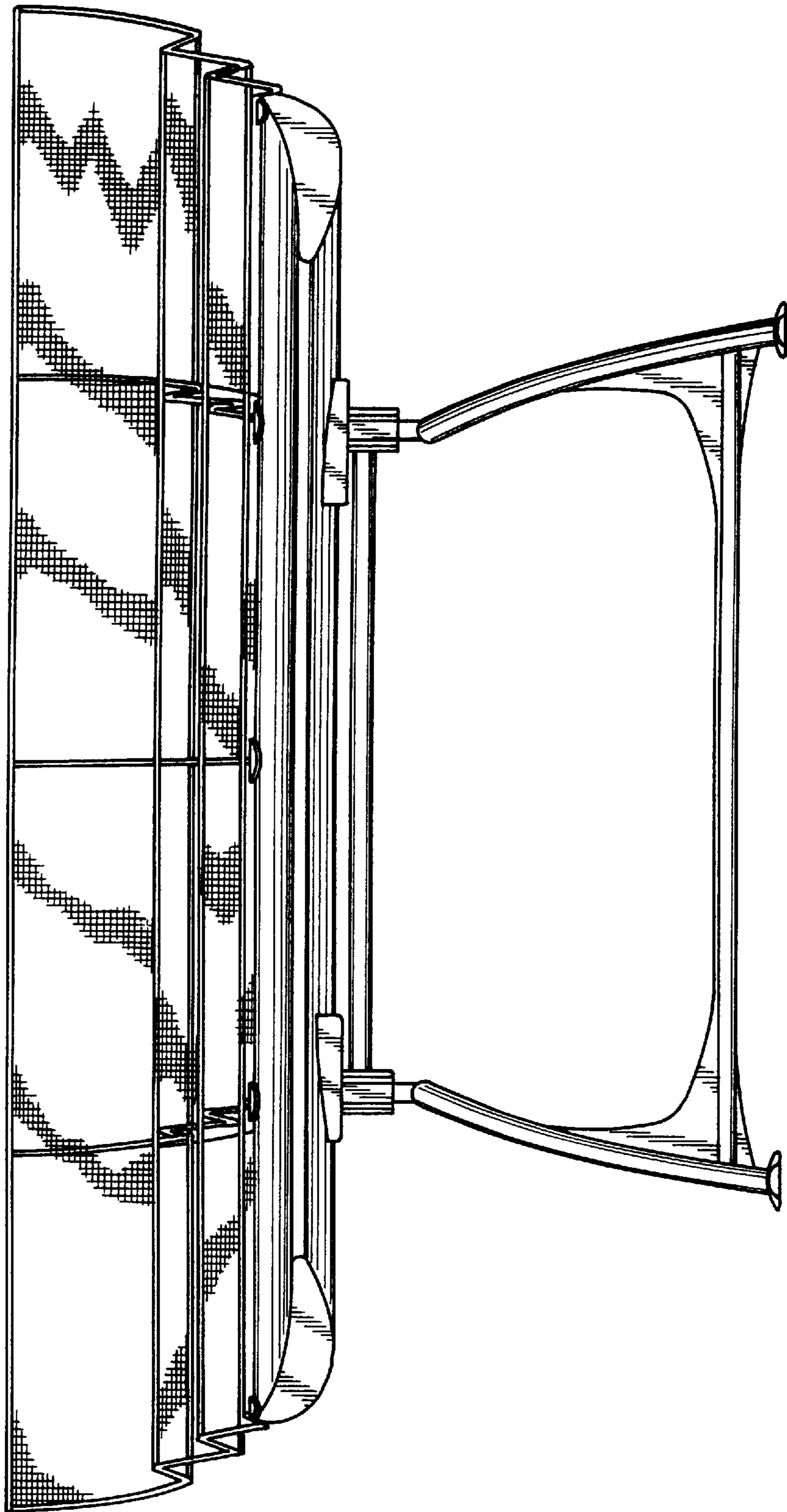


FIG. 2

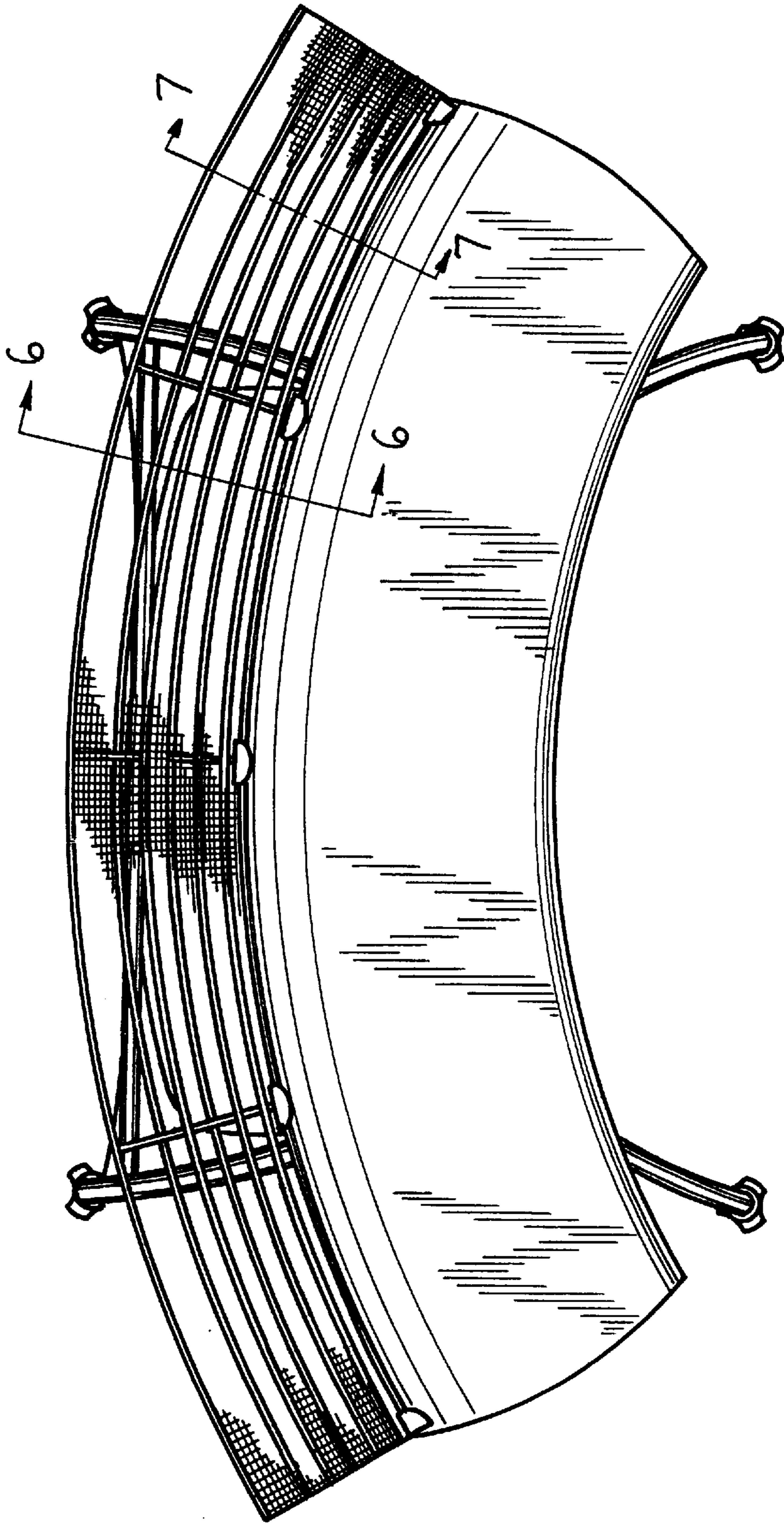


FIG. 3

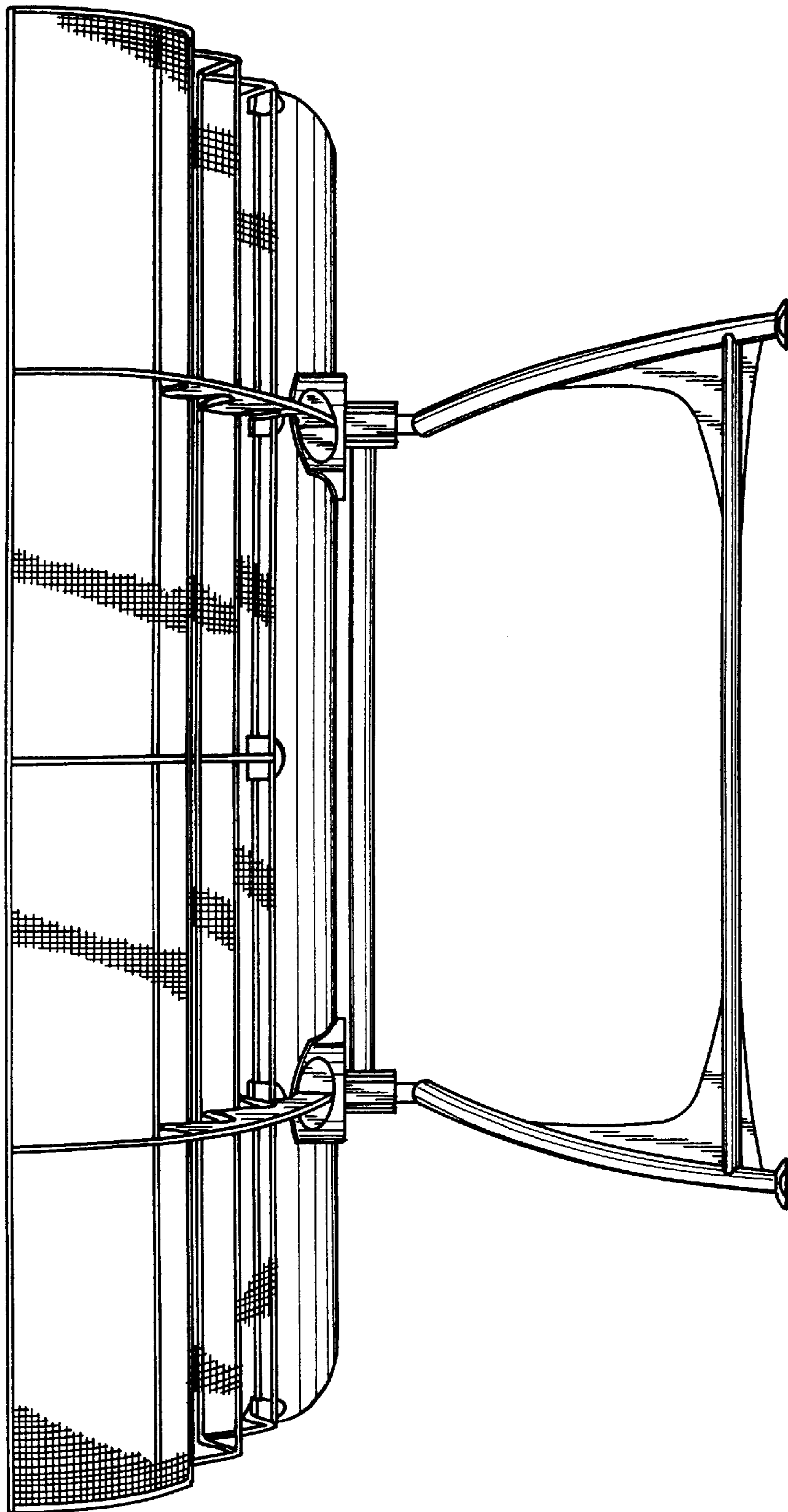


FIG. 4

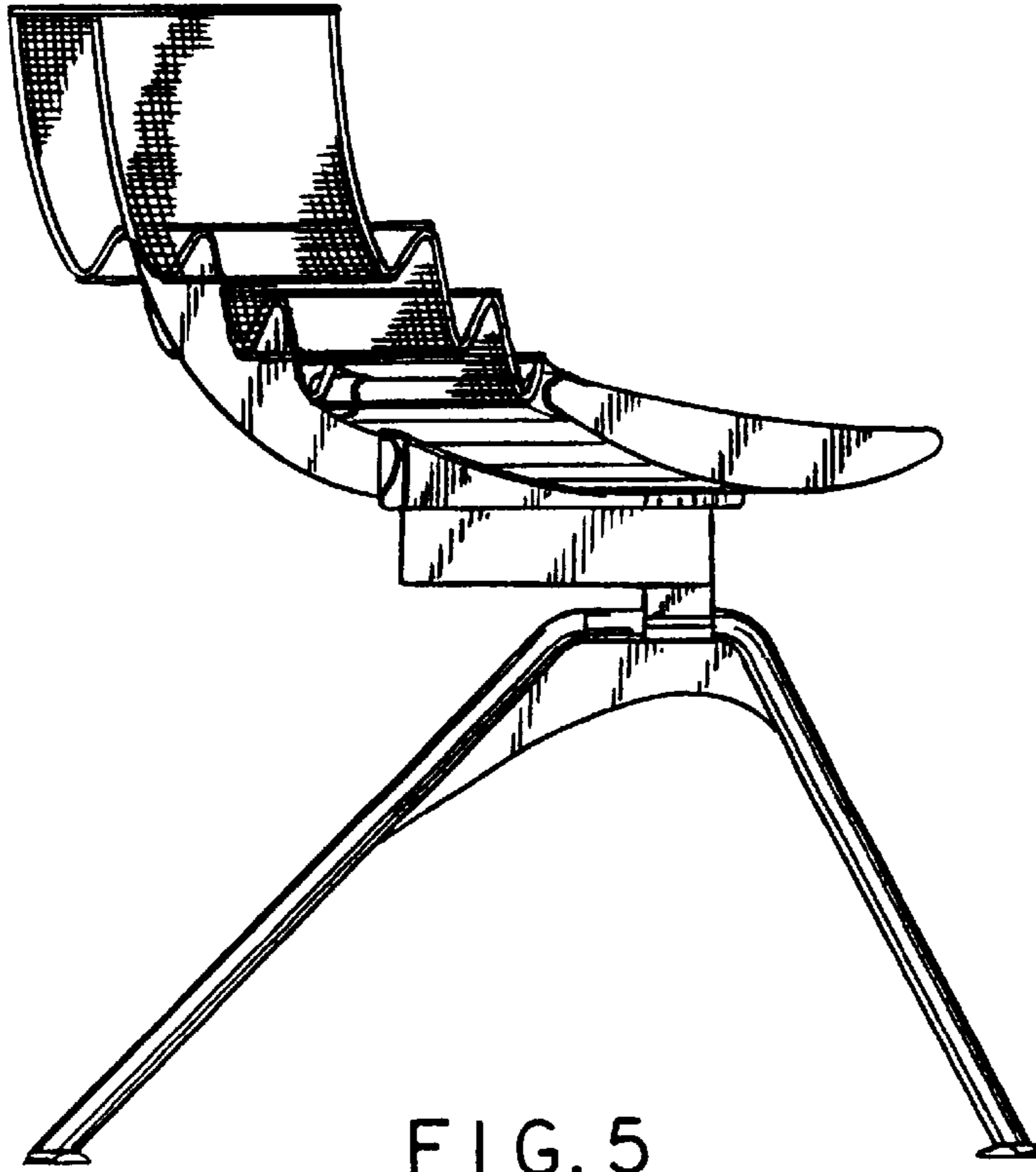


FIG. 5

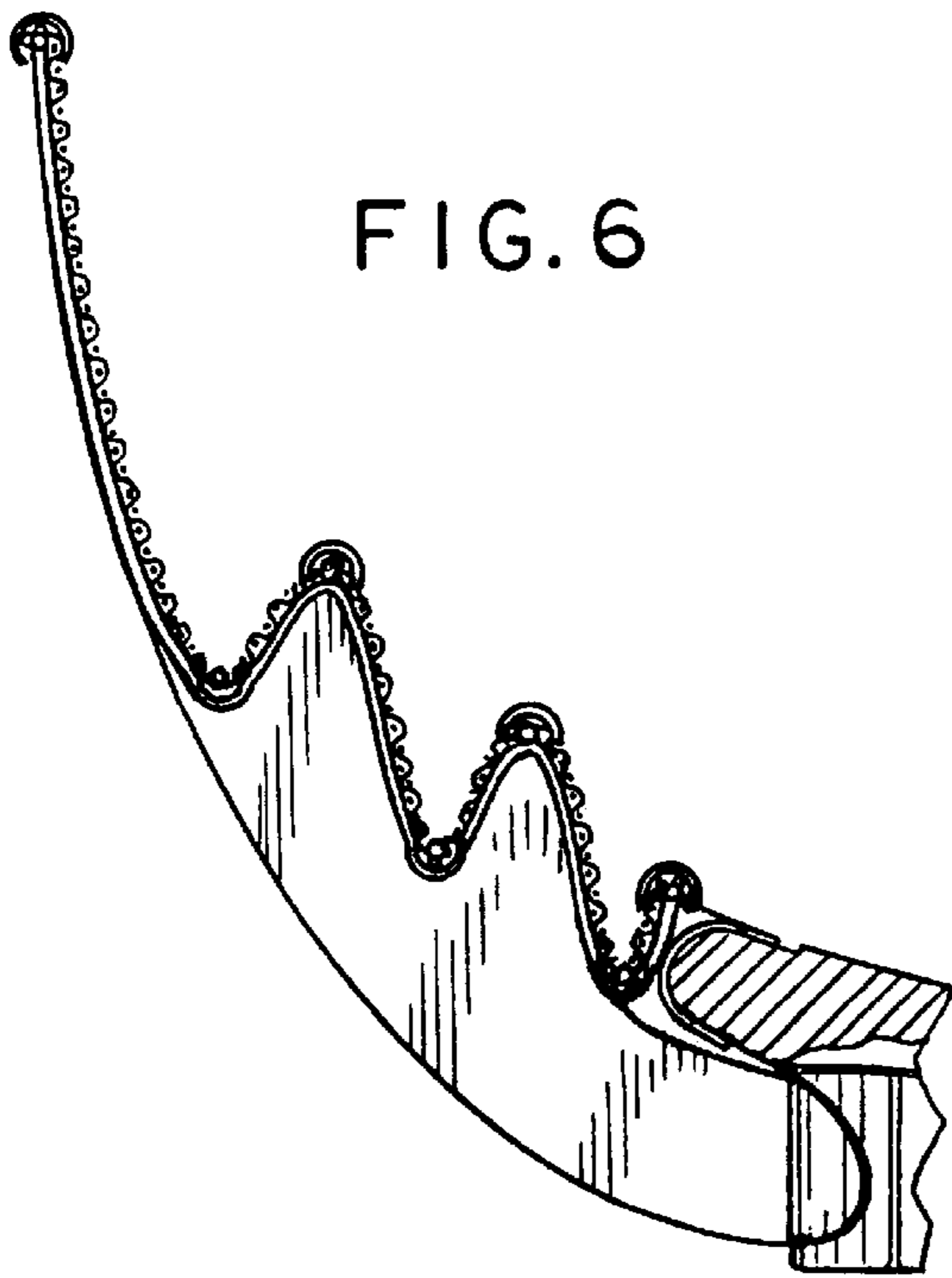


FIG. 6

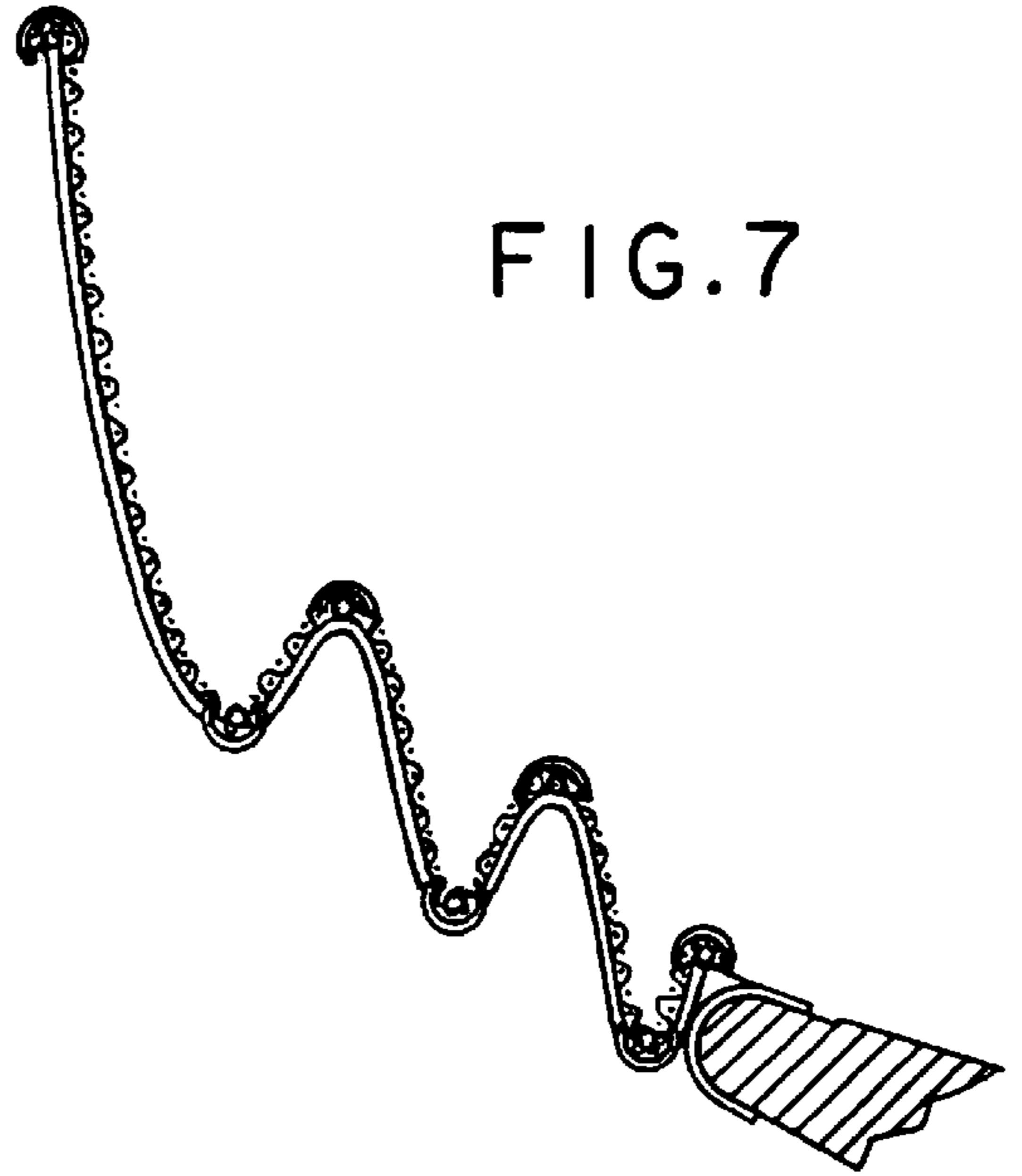


FIG. 7