



US00D401769S

**United States Patent** [19]  
**Kaiser**

[11] **Patent Number: Des. 401,769**  
[45] **Date of Patent: \*\*Dec. 1, 1998**

[54] **CHAIR**

[76] Inventor: **Kenneth L. Kaiser**, 311 S. Denton St.,  
Gainesville, Tex. 76240

[\*\*] Term: **14 Years**

[21] Appl. No.: **78,810**

[22] Filed: **Nov. 3, 1997**

D. 186,270 10/1959 Christenson et al. .... D6/379  
D. 315,836 4/1991 Kaiser ..... D6/334  
D. 333,733 3/1993 Sammons ..... D6/334  
3,704,911 12/1972 Milakovich ..... 297/445.1

*Primary Examiner*—Gary D. Watson  
*Attorney, Agent, or Firm*—Daniel V. Thompson

[57] **CLAIM**

The ornamental design for a “chair”, as shown and described.

**Related U.S. Application Data**

[63] Continuation-in-part of Ser. No. 61,457, Oct. 24, 1996,  
abandoned.

[51] **LOC (6) Cl.** ..... **06-01**

[52] **U.S. Cl.** ..... **D6/334**

[58] **Field of Search** ..... D6/334, 335, 374,  
D6/375, 379, 381, 500, 501, 502; 297/445.1,  
446.1

**DESCRIPTION**

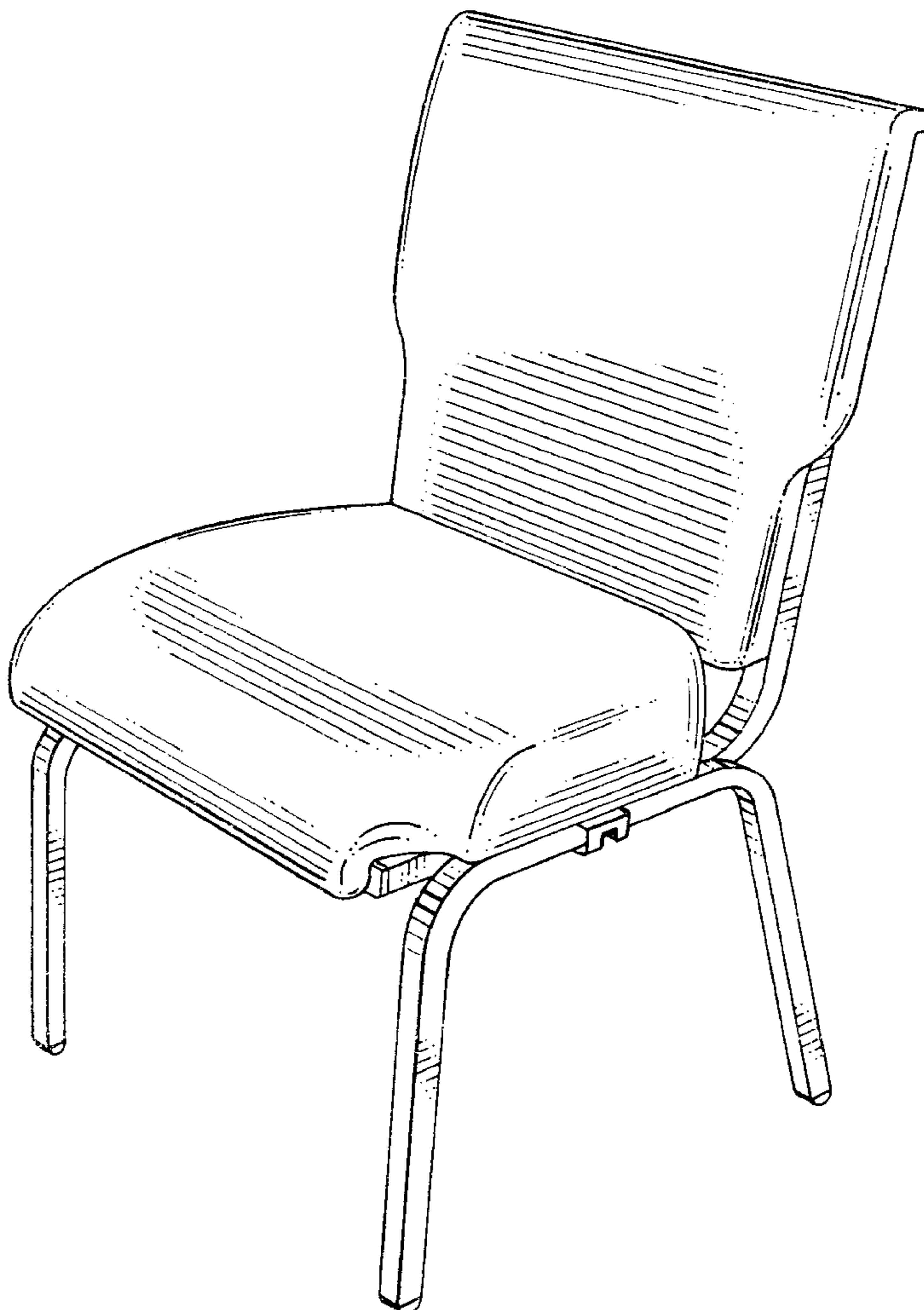
FIG. 1 is a perspective view of my new design for a chair;  
FIG. 2 is a side elevational view of my new design for a  
chair;  
FIG. 3 is a side elevational view of the opposite side from  
FIG. 2 of my new design for a chair;  
FIG. 4 is a front elevational view of my new design for a  
chair;  
FIG. 5 is a rear elevational view of my new design for a  
chair;  
FIG. 6 is an top plan view of my new design for a chair; and,  
FIG. 7 is a bottom plan view of my new design for a chair.

[56] **References Cited**

**U.S. PATENT DOCUMENTS**

D. 171,521 2/1954 Taffae ..... D6/334  
D. 185,850 8/1959 Christenson et al. .... D6/334

**1 Claim, 6 Drawing Sheets**



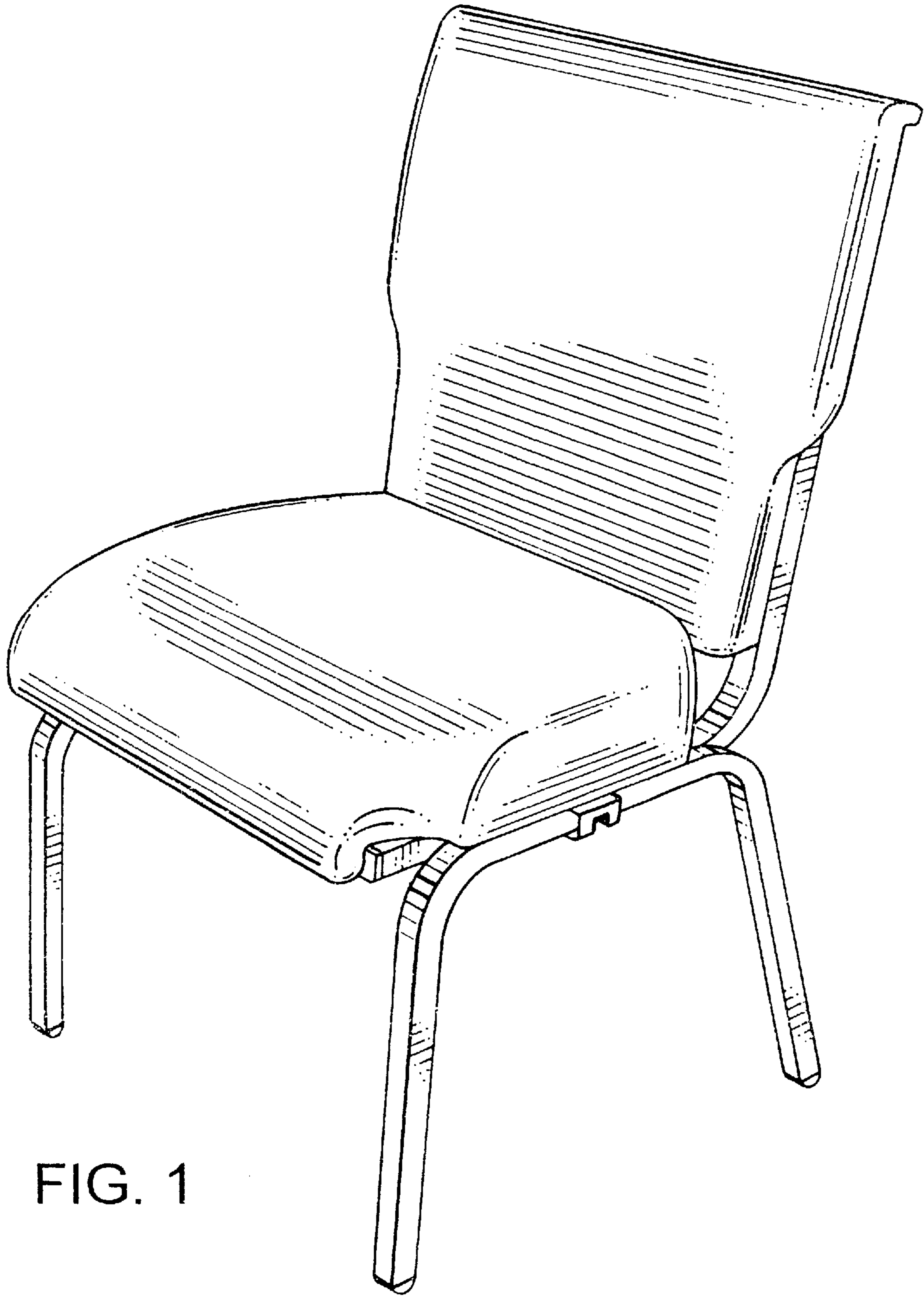


FIG. 1

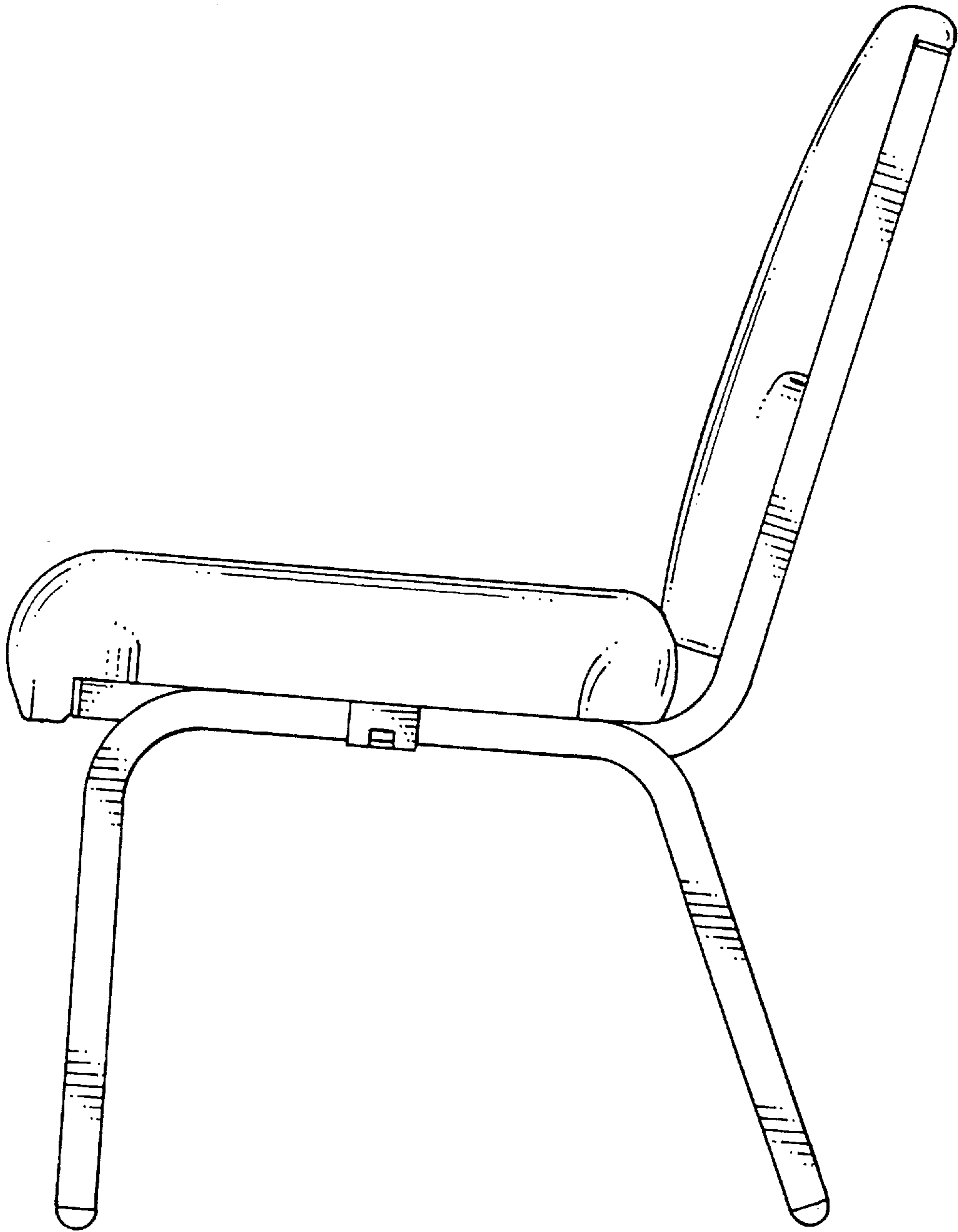


FIG. 2

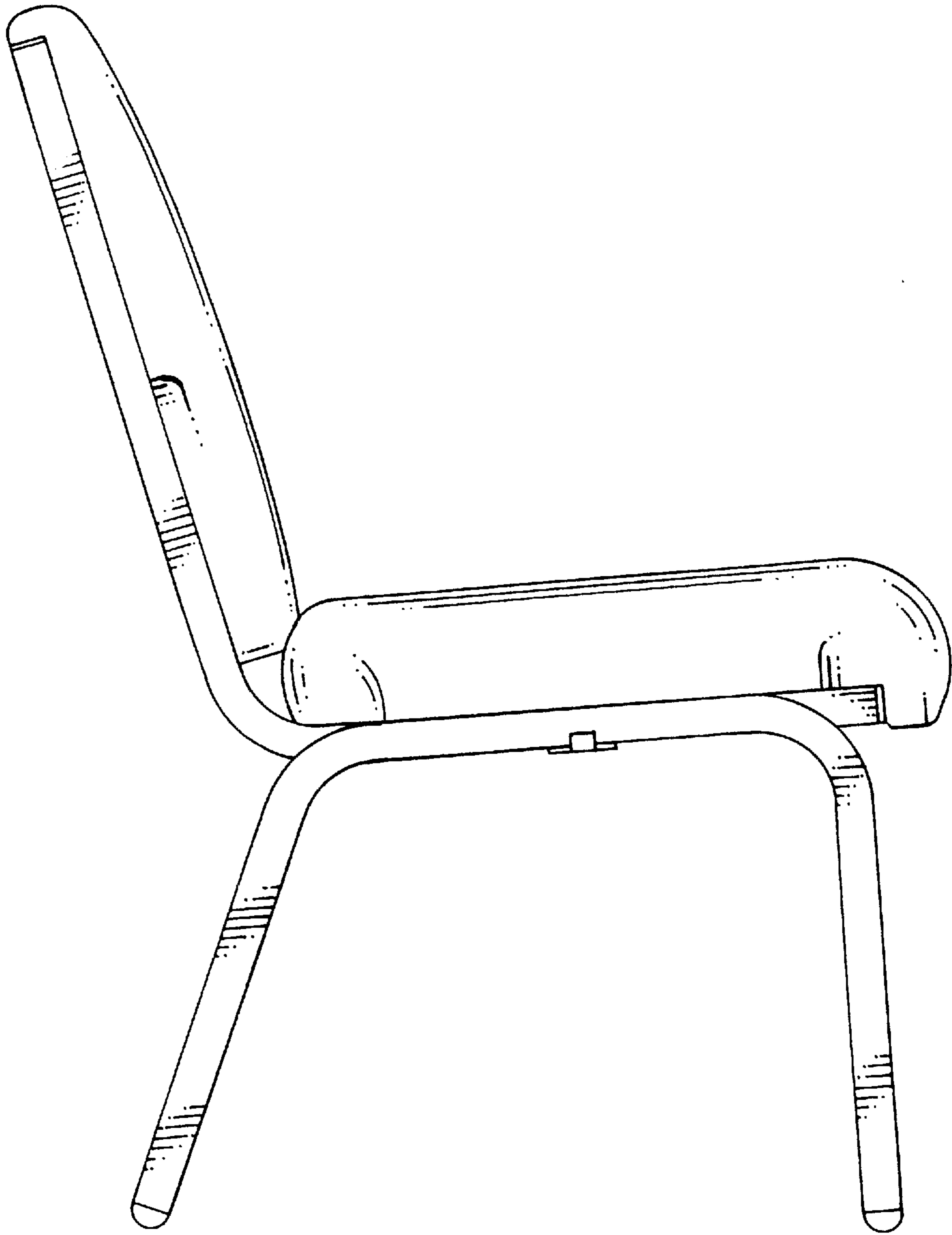


FIG. 3

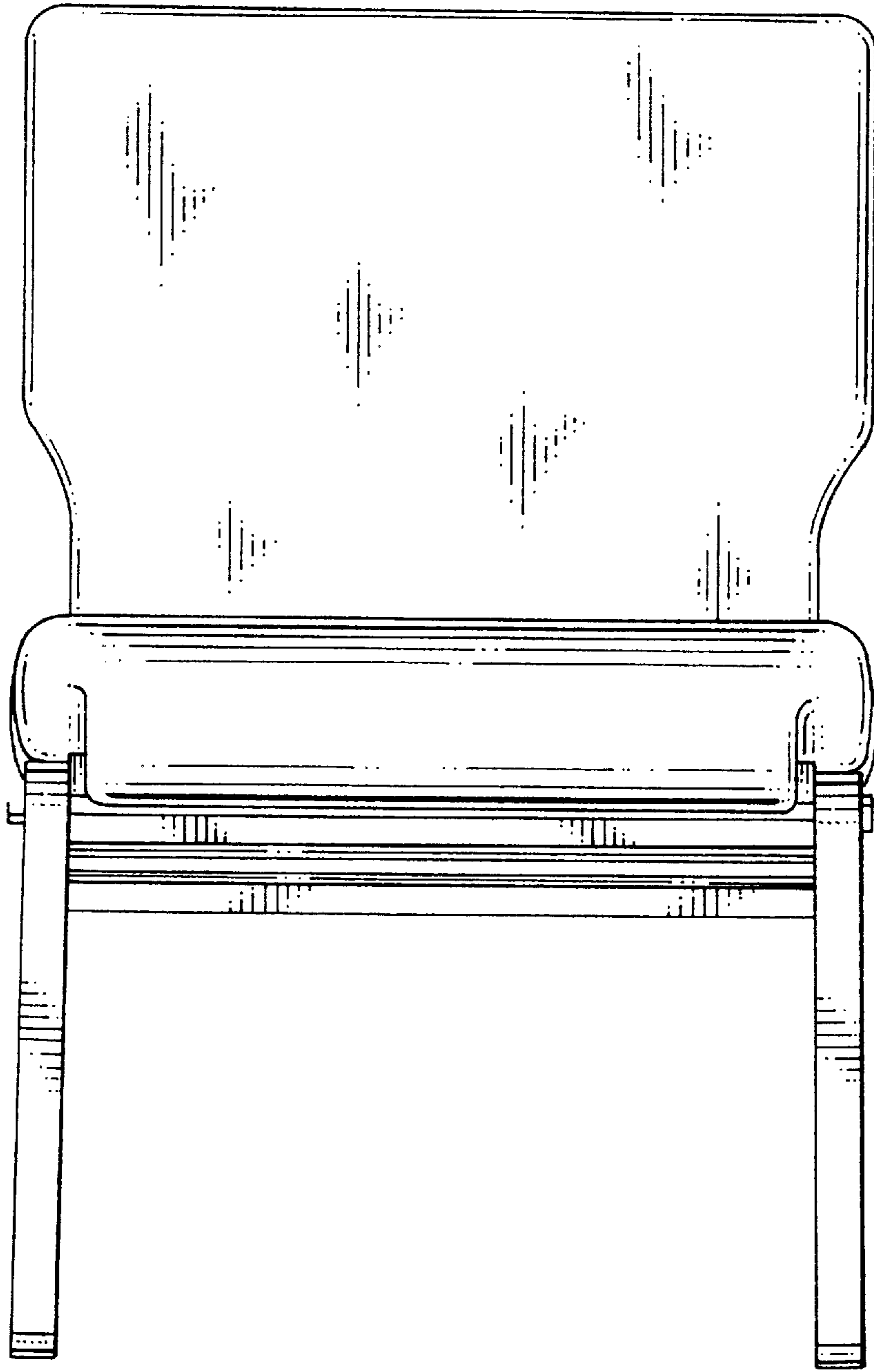


FIG. 4

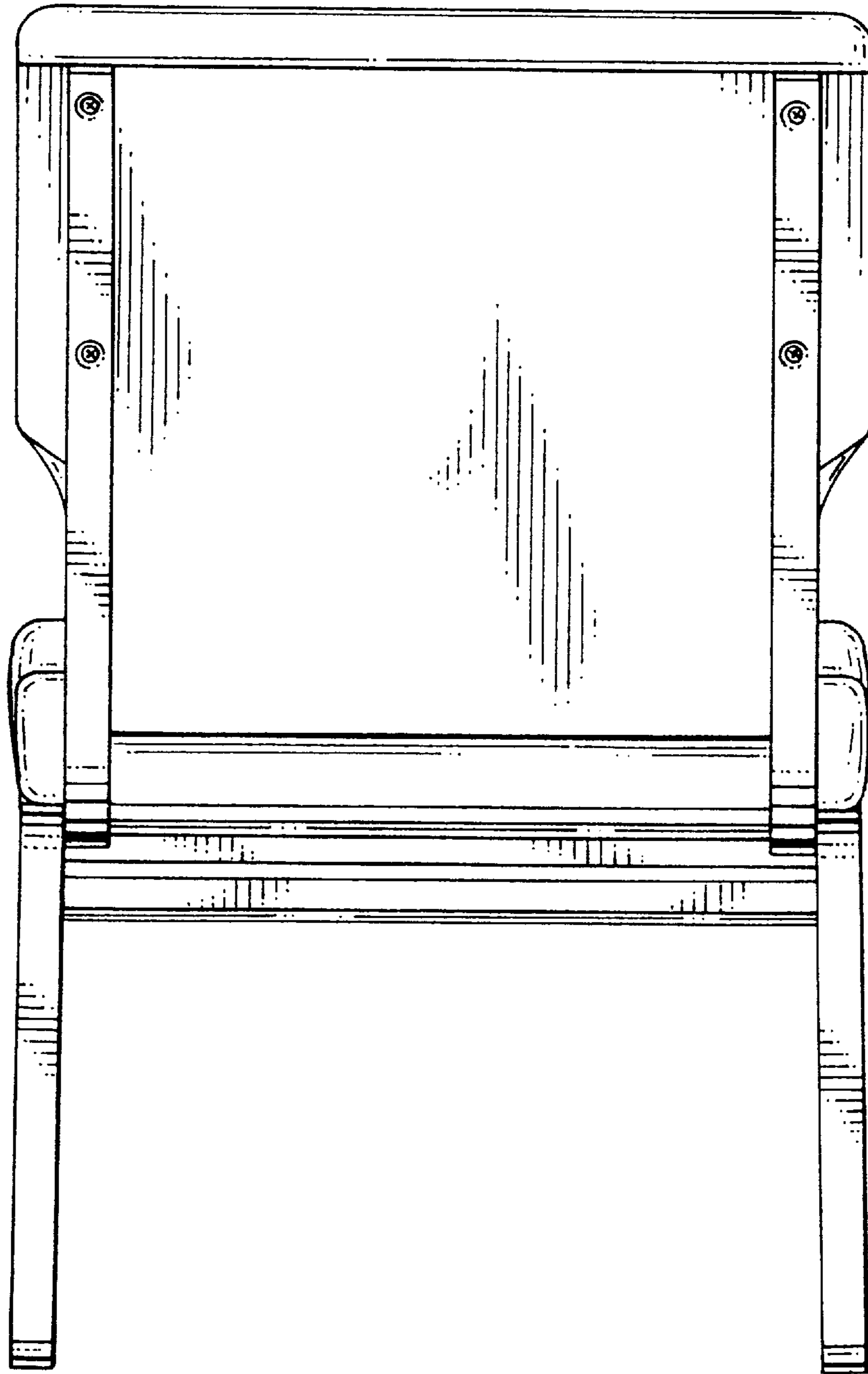


FIG. 5

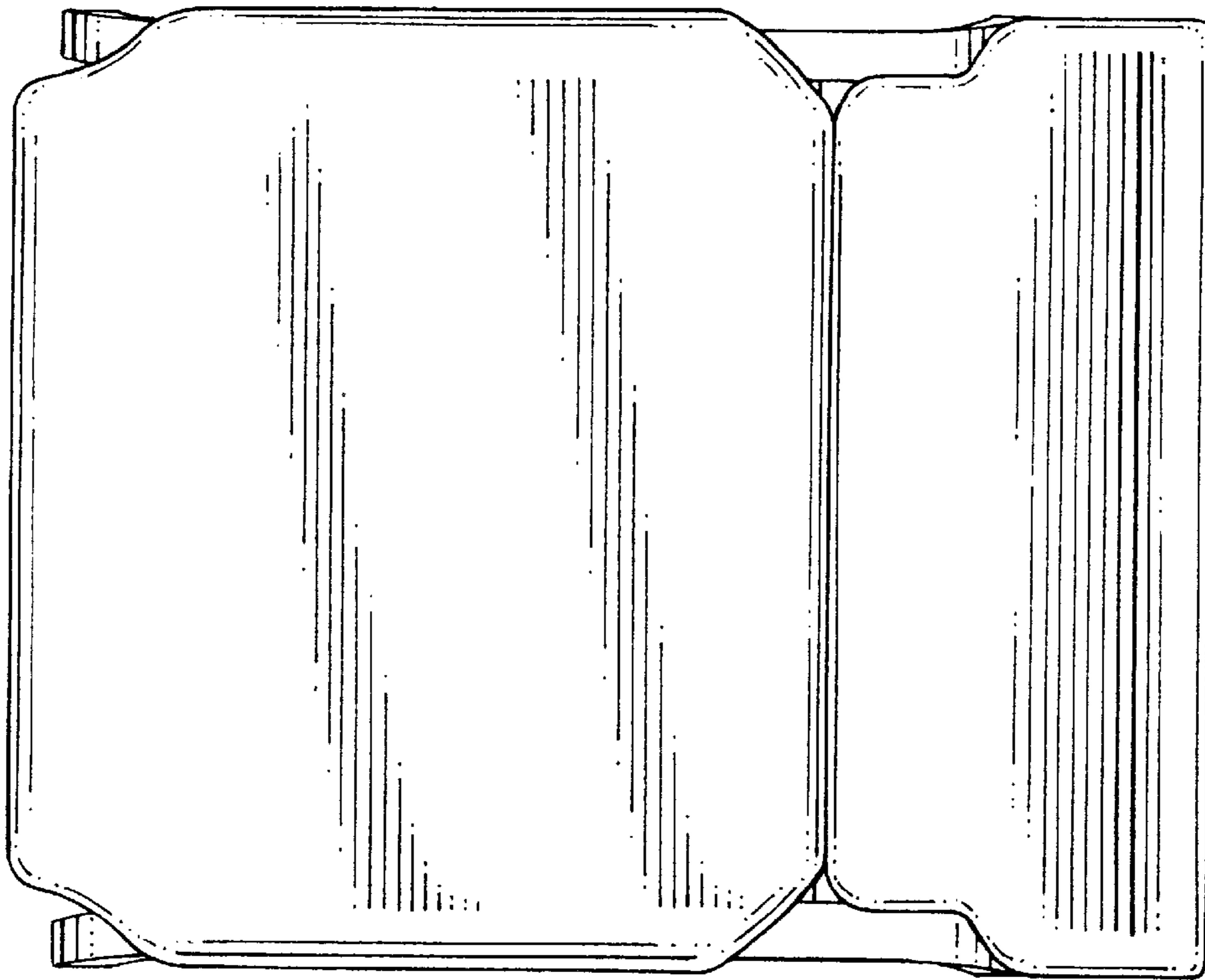


FIG. 6

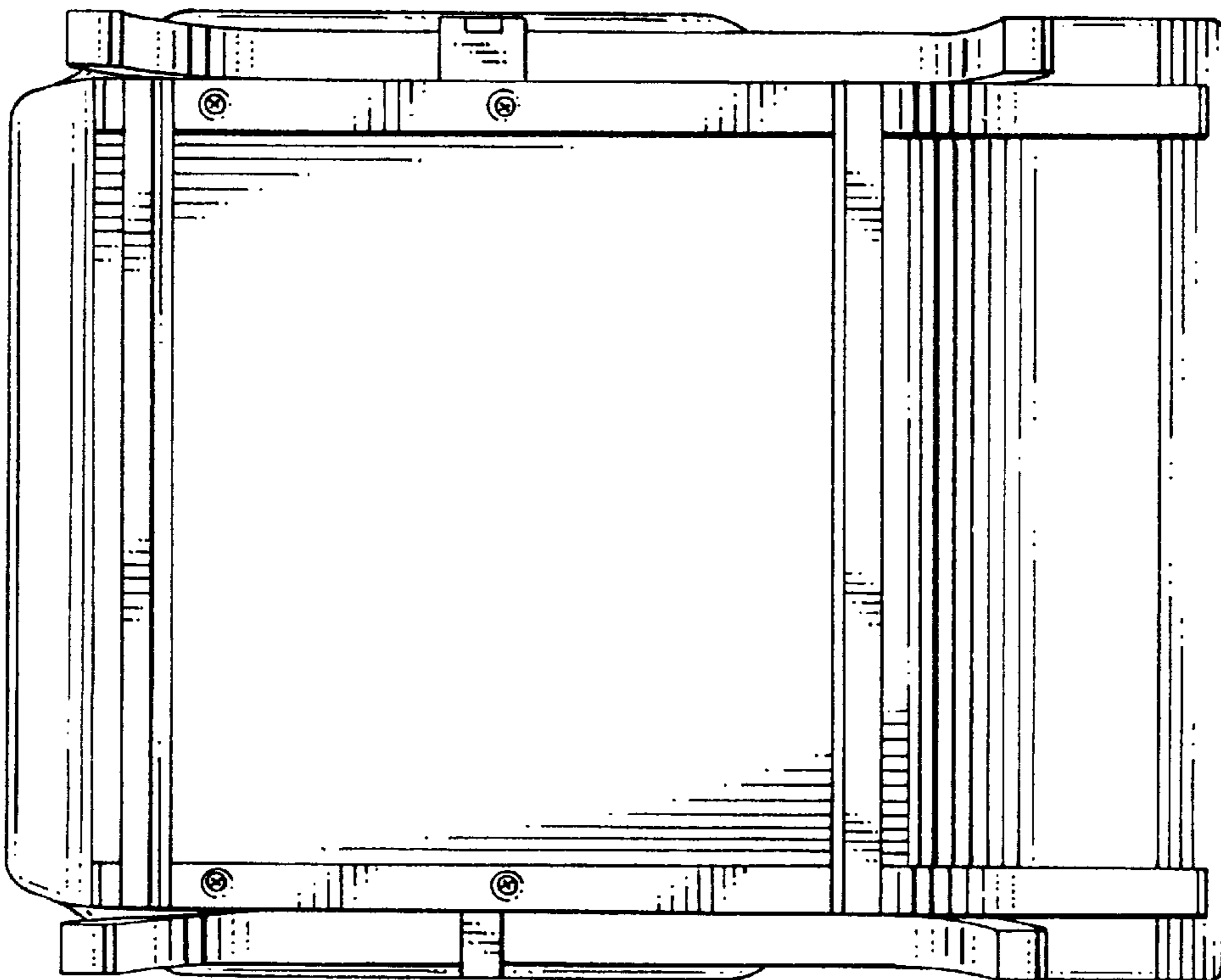


FIG. 7