



US00D401763S

United States Patent [19] Wolff

[11] **Patent Number: Des. 401,763**

[45] **Date of Patent: **Dec. 1, 1998**

[54] **STORAGE CONTAINER**

[75] Inventor: **Stacy L. Wolff**, Houston, Tex.

[73] Assignee: **Rubbermaid Incorporated**, Wooster, Ohio

[**] Term: **14 Years**

[21] Appl. No.: **57,723**

[22] Filed: **Jul. 30, 1996**

[51] **LOC (6) Cl.** **03-01**

[52] **U.S. Cl.** **D3/273; D3/302; D9/424**

[58] **Field of Search** **D3/272, 273, 302; D9/420, 423, 424, 425; 206/501, 503, 508, 518, 505; 220/334, 335, 337, 339**

[56] **References Cited**

U.S. PATENT DOCUMENTS

- D. 106,777 11/1937 Voight et al. .
- D. 238,051 12/1975 Fier D9/240
- D. 238,148 12/1975 Dilot D9/219

(List continued on next page.)

FOREIGN PATENT DOCUMENTS

- 9206009 4/1992 WIPO .

OTHER PUBLICATIONS

Label, Storage container; Rhenanit, address unknown. Published at least as early as Dec. 14, 1994.

Catalog page, Storage container; Sterilite Corporation, P. O. Box 524, Townsend, Massachusetts 01469. Publication date 1990.

Catalog page, Storage container; Sterilite Corporation, P. O. Box 524, Townsend, Massachusetts 01469. Publication date 1990.

P. 2, Storage container; Sterilite Corporation, P. O. Box 524, Townsend, Massachusetts 01469. Publication date 1993.

Catalog page, Storage container; Sterilite Corporation, P. O. Box 524, Townsend, Massachusetts 01469. Published at least as early as 1992.

Sell sheet, Storage container; Coast-to Coast Container Corp., 94 Pinewood Gardens, Hartsdale, New York 10530. Published at least as early as 1992.

P. 13, Storage boxes with lids; Max Klein, Baraboo, Wisconsin 53913. Published at least as early as 1990.

Catalog page, Storage containers; Tucker Housewares, 25 Tucker Drive, Leominster, Massachusetts 01453. Published at least as early as Jan. , 1996.

P. 10, Storage containers; Tucker Housewares, 25 Tucker Drive, Leominster, Massachusetts 01453. Publication date 1992-93.

Sell sheet, Storage containers; Tucker Housewares, 25 Tucker Drive, Leominster, Massachusetts 01453. Publication date Jan., 1989.

Catalog page, Storage containers; Tucker Housewares, 25 Tucker Drive, Leominster, Massachusetts 01453. Published at least as early as 1991.

Label, Storage container; Tamor Plastic Corp., P. O. Box 1186, Leominster, Massachusetts 01453. Published at least as early as 1992.

P. 7, Storage container; Tamor Plastics Corp., P. O. Box 1186, Leominster, Massachusetts 01453. Publication date 1989.

(List continued on next page.)

Primary Examiner—Philip S. Hyder

Attorney, Agent, or Firm—Richard B. O’Planick; Lisa B. Riedesel

[57] **CLAIM**

The ornamental design for a storage container, as shown and described.

DESCRIPTION

FIG. 1 is a top front perspective view of a storage container showing my new design;

FIG. 2 is a top plan view thereof;

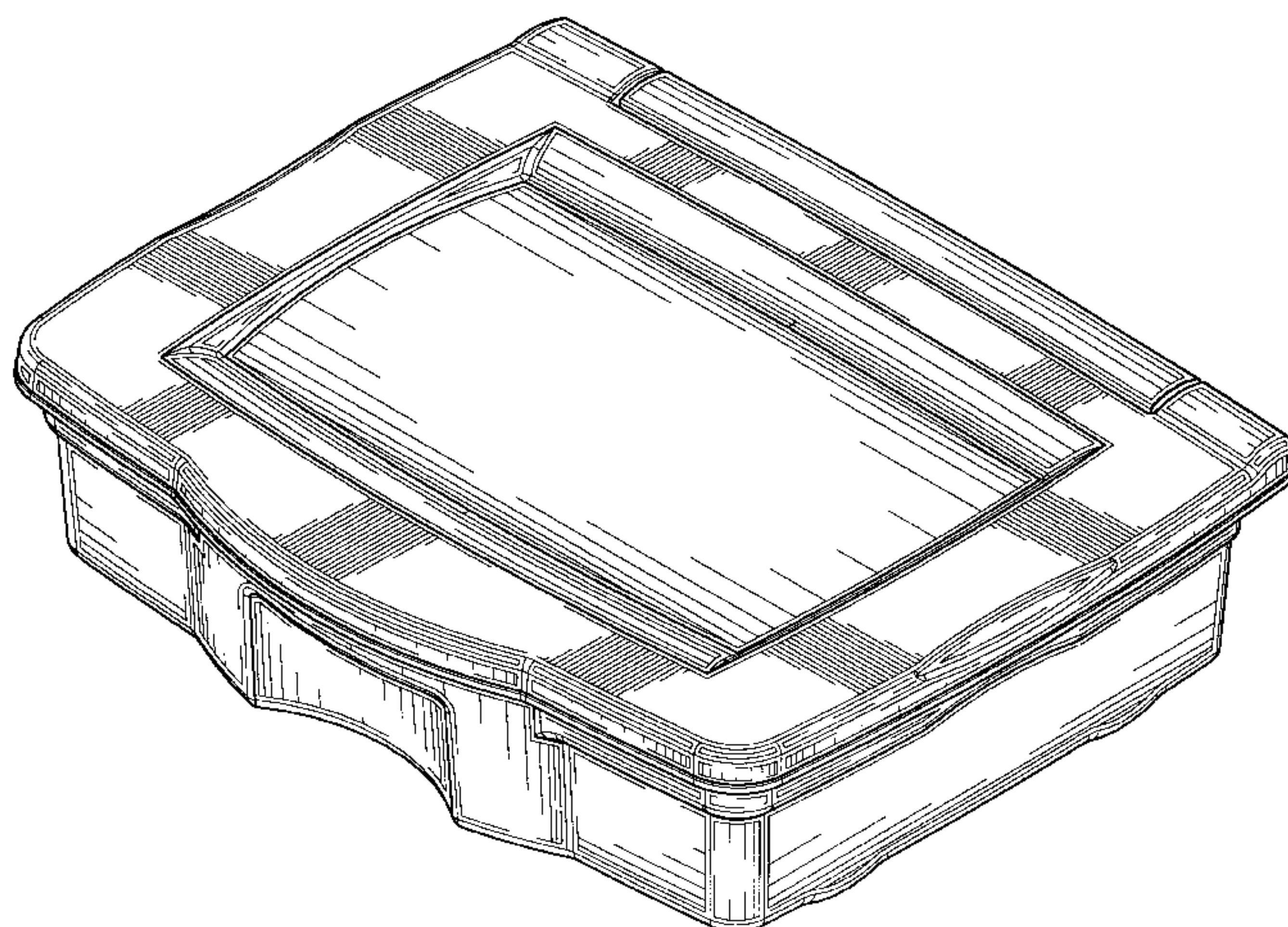
FIG. 3 is a front elevational view thereof;

FIG. 4 is a right side elevational view thereof; the left side elevational view being a mirror image; and,

FIG. 5 is a rear elevational view thereof.

The bottom of the storage container forms no part of the claimed design.

1 Claim, 5 Drawing Sheets



U.S. PATENT DOCUMENTS

D. 246,828	1/1978	White	D9/267	D. 358,328	5/1995	Huerto et al.	D9/435
D. 246,872	1/1978	White	D87/1 R	D. 358,765	5/1995	Dickinson et al.	D9/425
D. 258,721	3/1981	Steeg	D99/47	D. 360,527	7/1995	Corney et al.	D3/279
D. 258,723	3/1981	Cornou	D7/76	D. 361,511	8/1995	Dickinson et al.	D9/425
D. 259,596	6/1981	Gray	D3/39	D. 362,117	9/1995	Koenig et al.	D3/326
D. 280,216	8/1985	Boklund	D19/52	D. 363,663	10/1995	Plater	D9/425
D. 285,413	9/1986	Carlson	D9/337	D. 364,271	11/1995	Calmeise	D3/273
D. 286,937	11/1986	Schafer	D34/43	D. 366,760	2/1996	Kraner	D3/310
D. 289,262	4/1987	Goetz et al.	D9/420	D. 367,361	2/1996	Kobilarcik et al.	D3/326
D. 302,774	8/1989	Murphy	D7/76	D. 367,609	3/1996	Frank et al.	D9/425
D. 308,340	6/1990	Ilsen et al.	D9/425	D. 367,760	3/1996	Zimmerman	D3/314
D. 312,573	12/1990	Poirier	D9/424	D. 367,958	3/1996	Tisbo et al.	D3/273
D. 314,667	2/1991	Hussain	D9/73	D. 368,161	3/1996	Miller	D3/326
D. 316,674	5/1991	Poirier	D9/424	D. 368,162	3/1996	Miller	D3/326
D. 319,016	8/1991	Kahl	D9/424	2,767,878	10/1956	Brown	220/45
D. 319,977	9/1991	Curry	D9/425	3,351,227	11/1967	Collie	220/60
D. 321,091	10/1991	Dickinson	D3/78	3,419,184	12/1968	Asenbauer	220/97
D. 326,345	5/1992	Mandell et al.	D34/40	3,740,433	6/1973	Bentley et al.	220/55.7
D. 328,425	8/1992	Brightbill	D9/425	3,987,829	10/1976	Leone	150/0.5
D. 329,331	9/1992	Hobson	D3/78	4,113,095	9/1978	Dietz et al.	206/508
D. 329,747	9/1992	Embree	D3/78	4,499,997	2/1985	Swingley, Jr.	206/509
D. 330,161	10/1992	Schuh	D9/423	4,499,998	2/1985	Carlson	206/541
D. 330,329	10/1992	Brightbill	D9/424	4,593,816	6/1986	Langenbeck	206/425
D. 334,662	4/1993	van Berne	D3/70	4,615,464	10/1986	Byrns	220/469
D. 339,471	9/1993	Maple et al.	D3/78	4,863,023	9/1989	Payne et al.	206/364
D. 342,364	12/1993	Hobson	D34/46	4,892,220	1/1990	Foos	220/337
D. 342,609	12/1993	Brightbill	D3/78	5,366,104	11/1994	Armstrong	220/339
D. 345,650	4/1994	Boyd	D12/423				
D. 347,114	5/1994	Tengvall	D3/281				
D. 347,324	5/1994	Dickinson	D3/272				
D. 348,394	7/1994	Dreyer	D9/425				
D. 349,646	8/1994	Dickinson	D9/423				
D. 351,504	10/1994	Tarozzi	D3/276				
D. 353,048	12/1994	VanSkiver et al.	D3/276				
D. 355,360	2/1995	Mund et al.	D9/423				
D. 355,765	2/1995	Miller	D9/318				
D. 355,766	2/1995	Miller	D3/319				
D. 356,256	3/1995	Ramanoff	D9/425				
D. 356,891	4/1995	Hobson	D3/294				
D. 357,120	4/1995	Miller	D3/312				

OTHER PUBLICATIONS

Label; Storage container; Transco Housewares, A Division of Latch Industries, Cleveland, Ohio. Published at least as early as 1992.

Sell sheet, Storage container; Jokari/US, Inc., 4715 McEwen Road, Dallas, Texas 75244. Publication date 1986.

P. 2, Storage containers; Rubbermaid Commercial Products Inc., 3124 Valley Avenue, Winchester, Virginia 22601. Publication date 1994.

Catalog page, Storage containers; Rubbermaid Incorporated, 1147 Akron Road, Wooster, Ohio 44691. Publication date 1994.

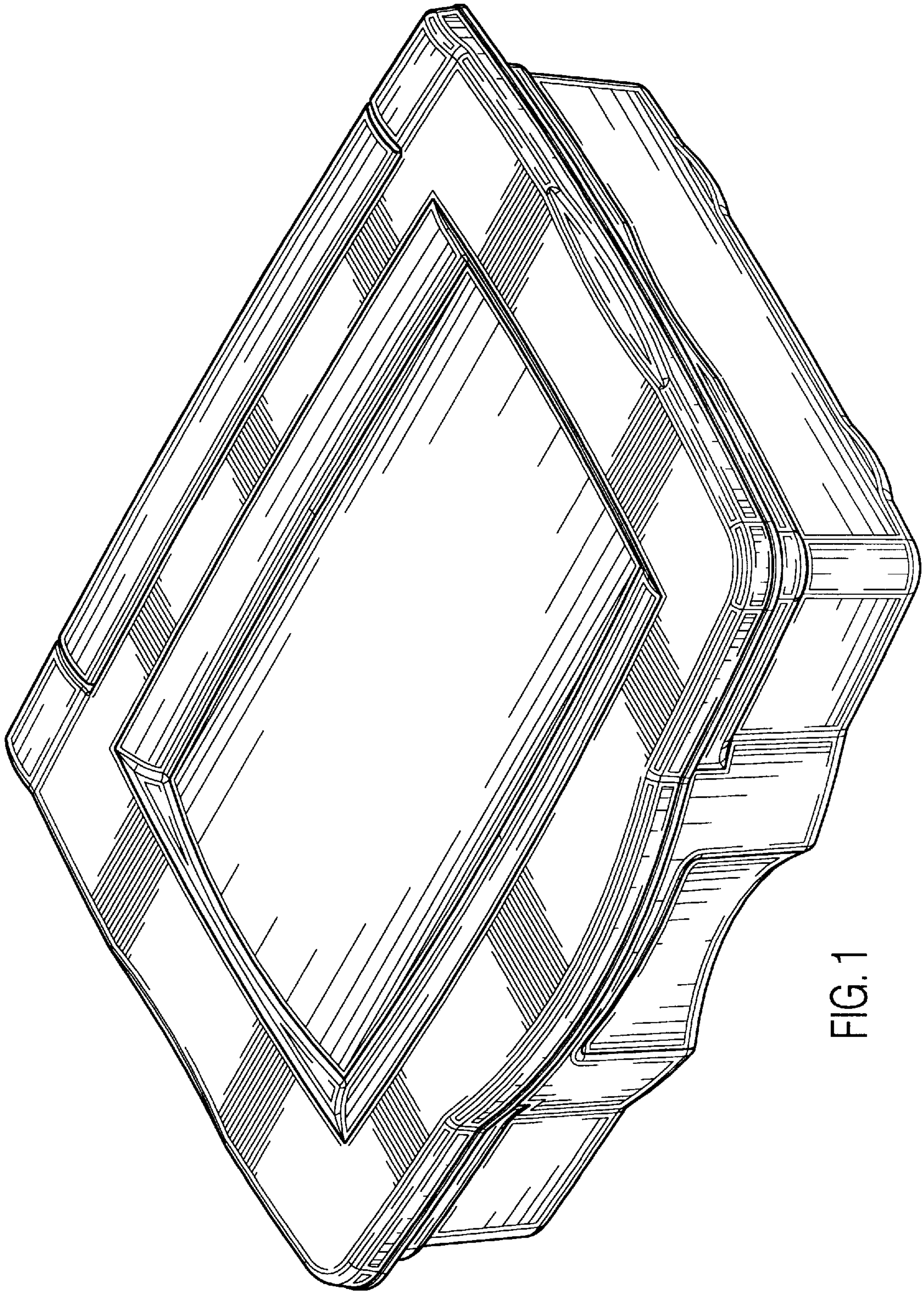


FIG. 1

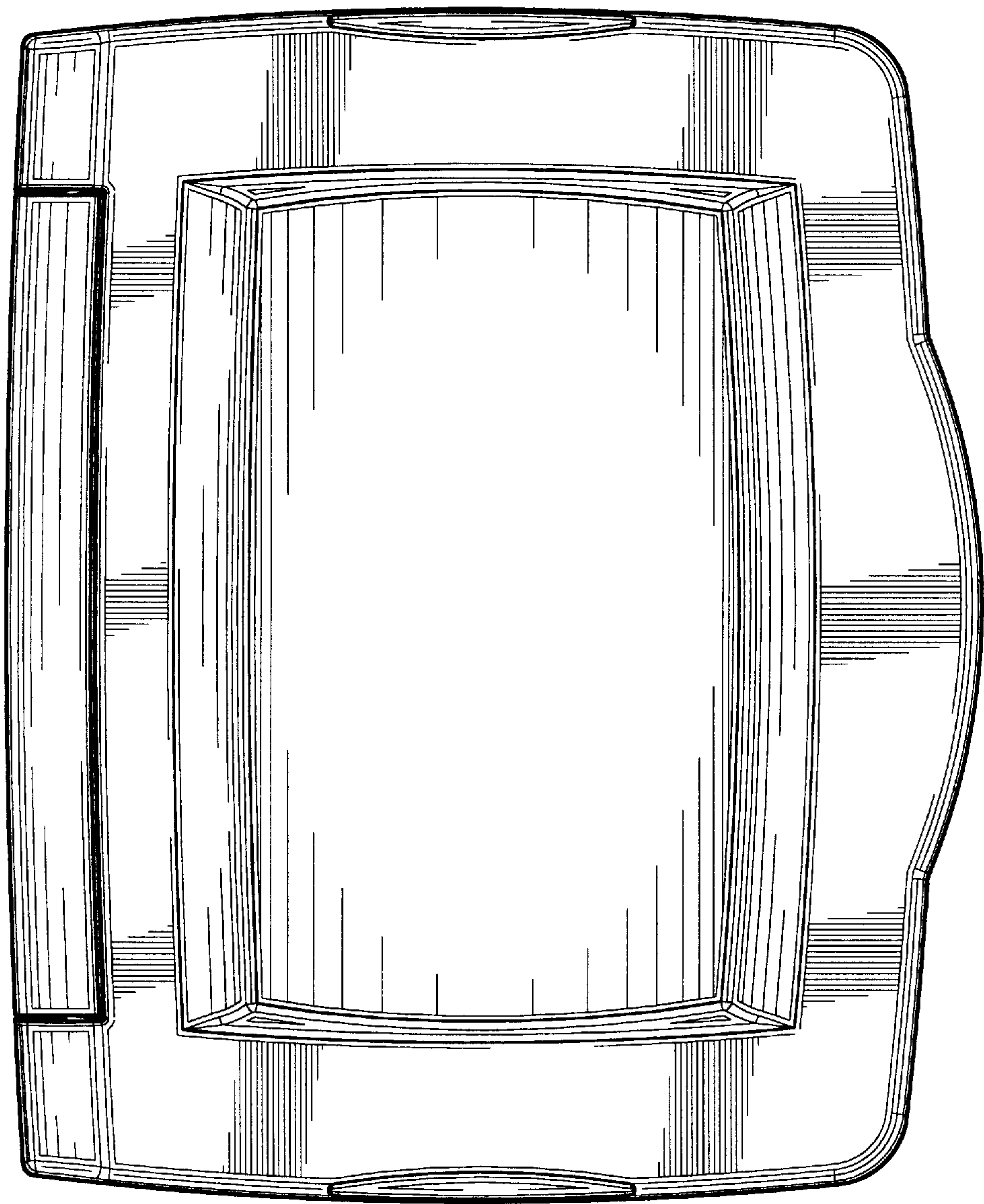


FIG. 2

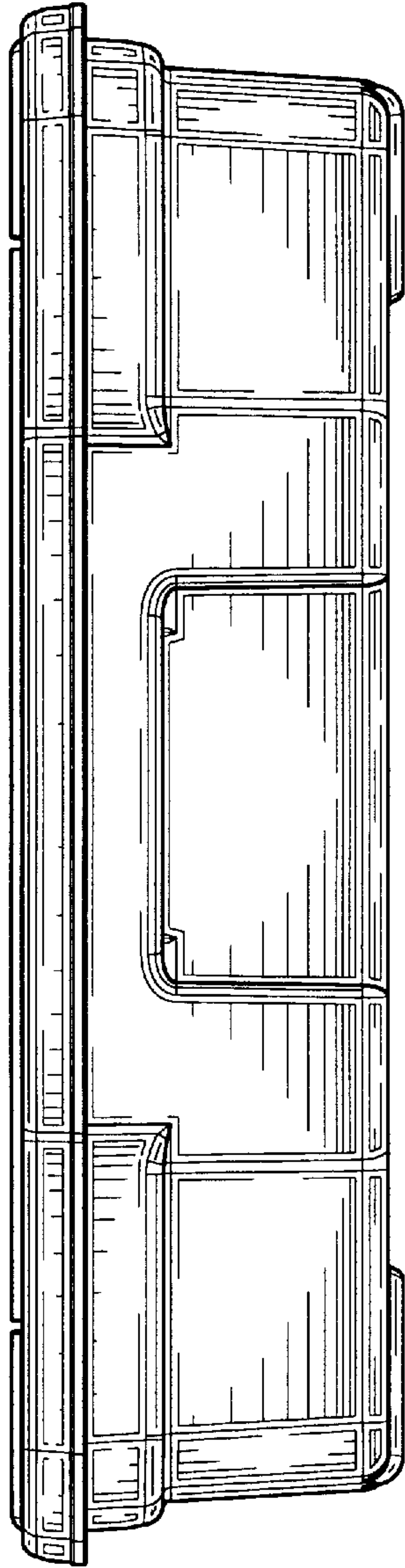


FIG. 3

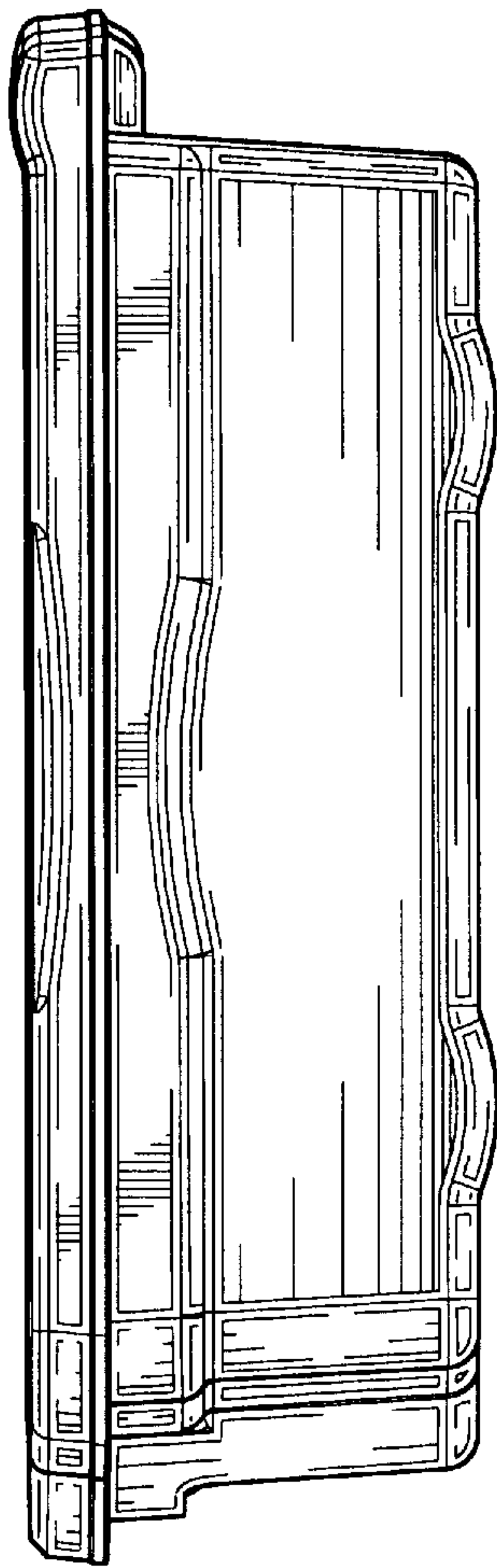


FIG. 4

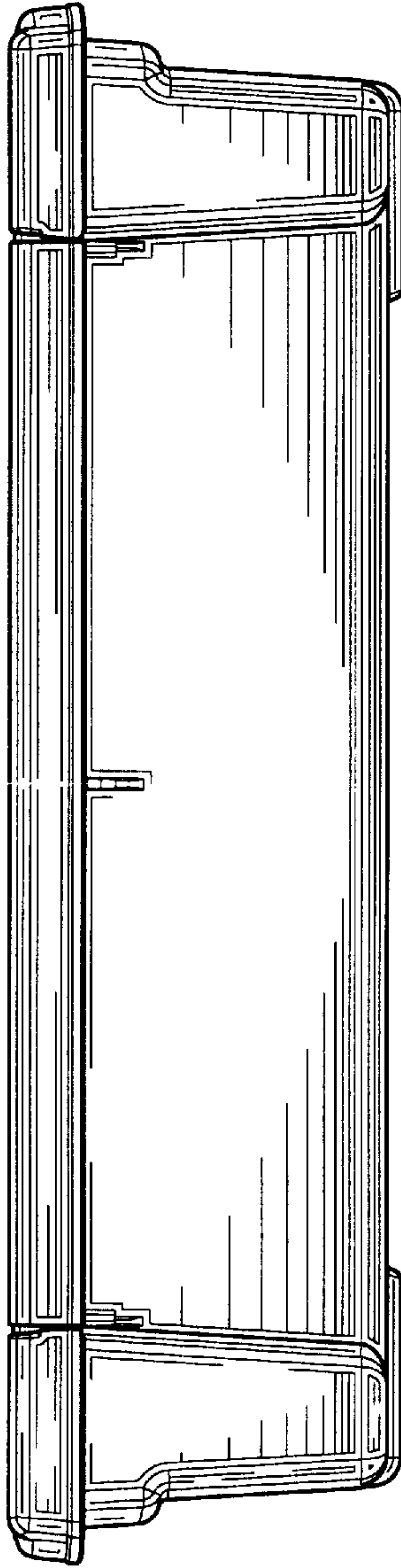


FIG. 5