



US00D401760S

United States Patent [19]
Richardson

[11] **Patent Number: Des. 401,760**
[45] **Date of Patent: **Dec. 1, 1998**

[54] **CIRCULAR KNITTING NEEDLE BOX**

2,234,233 3/1941 Corey 223/107
2,437,503 3/1948 Chase 223/107

[76] Inventor: **Lynn Richardson**, 423 Stageline Rd.,
Oroville, Calif. 95966

Primary Examiner—Louis S. Zarfes
Assistant Examiner—Catherine R. Oliver

[**] Term: **14 Years**

[57] **CLAIM**

[21] Appl. No.: **65,641**

The ornamental design for a circular knitting needle box, as shown and described.

[22] Filed: **Jan. 31, 1997**

DESCRIPTION

[51] **LOC (6) Cl.** **03-01**

[52] **U.S. Cl.** **D3/20**

[58] **Field of Search** D3/20, 21, 201,
D3/203, 205, 206, 23, 22, 212, 227; 223/106,
107, 108; 217/7; D9/414, 420, 423; 206/1.7,
39, 575; 220/334, 335

FIG. 1 is a front elevational view of the circular knitting needle box showing my new design; FIG. 2 is a rear elevational view thereof; FIG. 3 is a right side view thereof; FIG. 4 is a left side view thereof; FIG. 5 is a top plan view thereof; and FIG. 6 is a bottom plan view thereof; and, In FIG. 7, the broken line showing of circular knitting needles are for illustrative purposes only and form no part of the claimed design.

[56] **References Cited**

U.S. PATENT DOCUMENTS

D. 239,578 4/1976 Woodard D3/227
D. 348,768 7/1994 Irwin D3/20
D. 375,620 11/1996 Chan D3/20
418,507 12/1889 Dowe 217/7

FIG. 7 is a perspective view thereof.

1 Claim, 3 Drawing Sheets

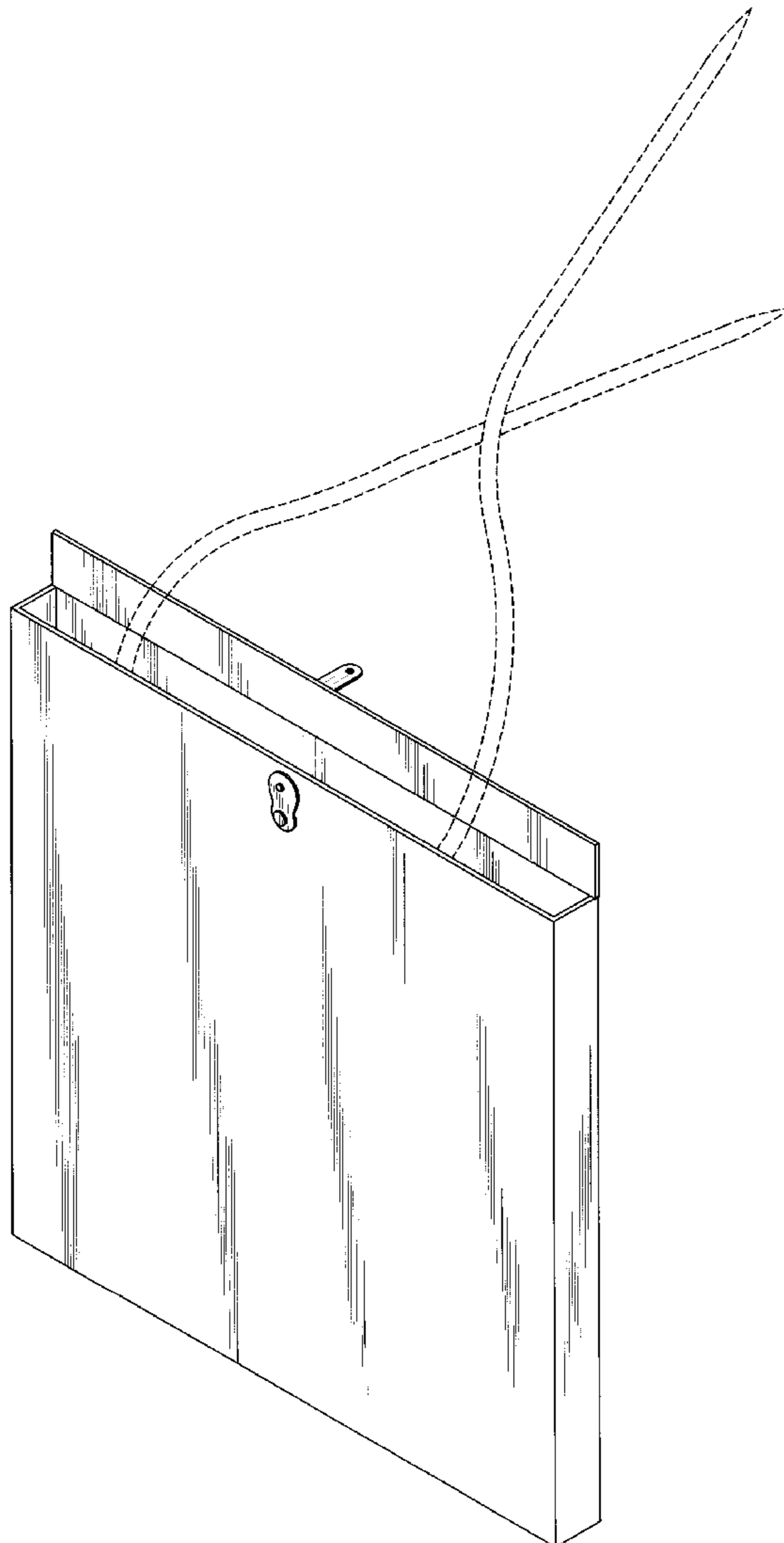


FIG. 1

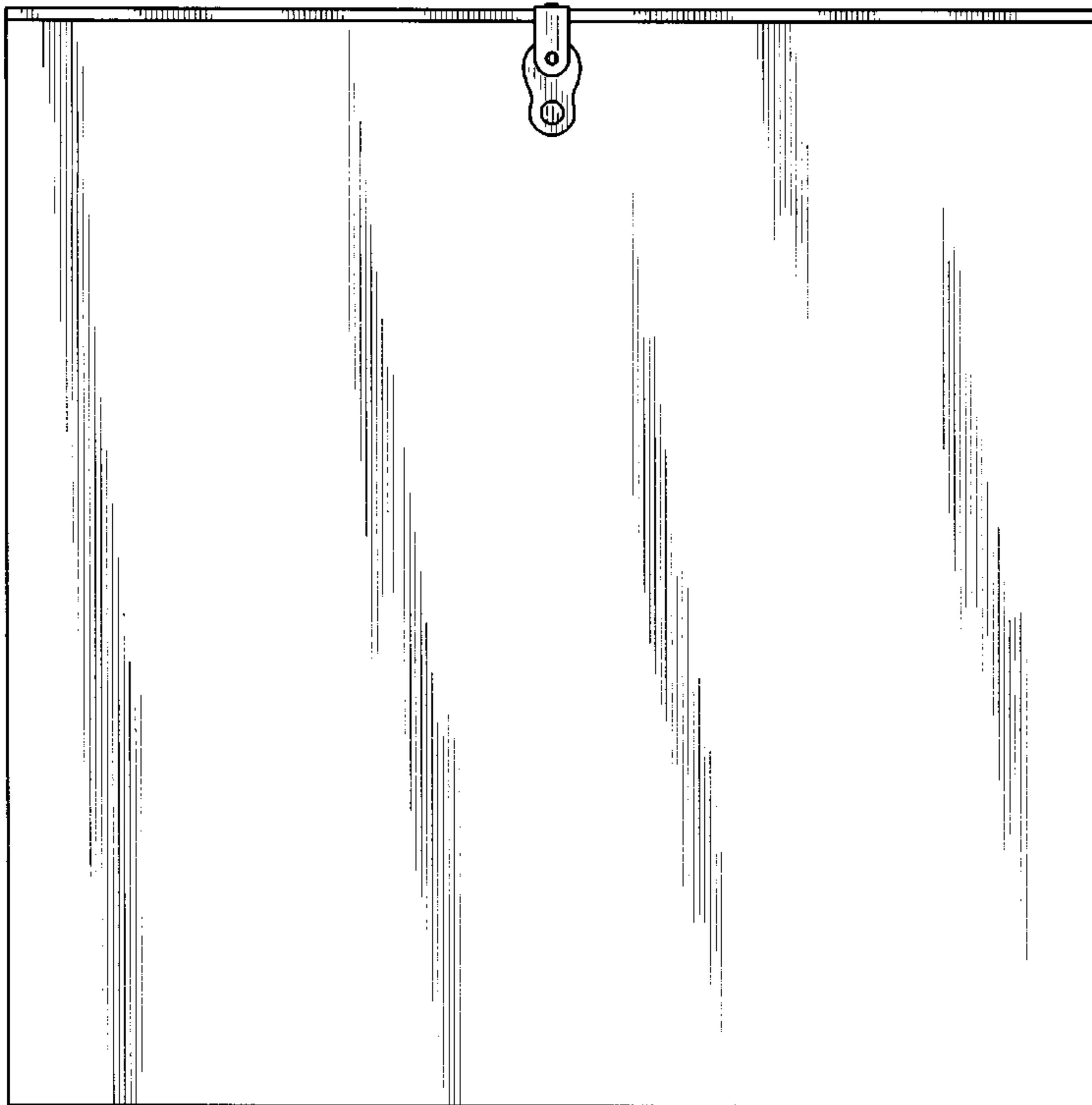


FIG. 2

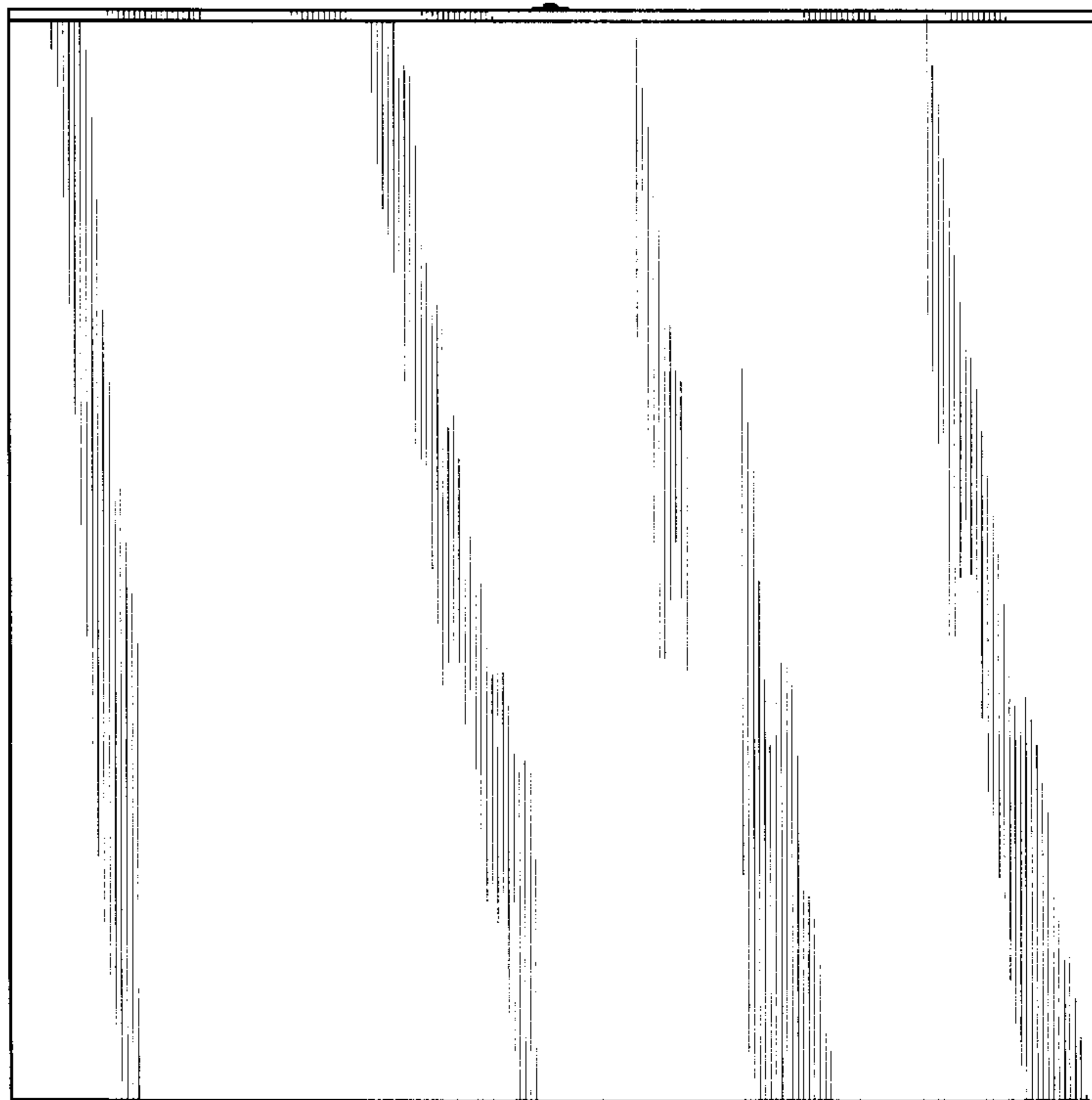


FIG. 3

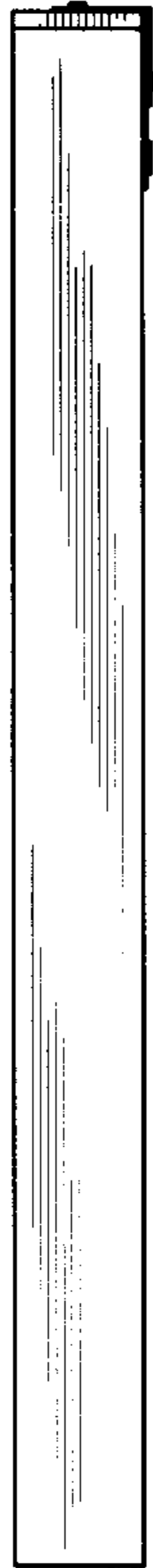


FIG. 4

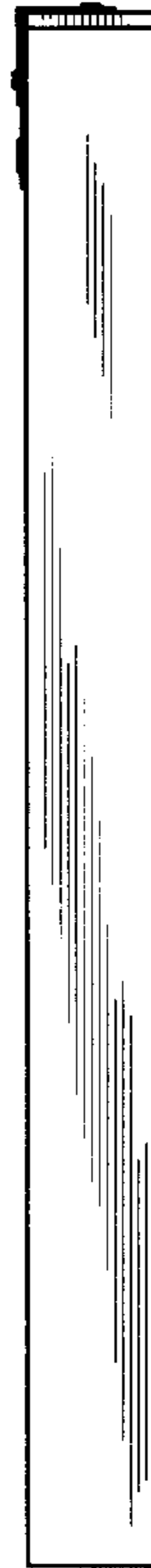


FIG. 5

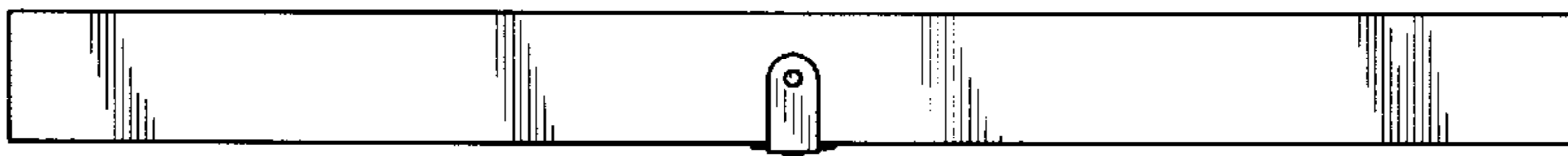


FIG. 6



FIG. 7

